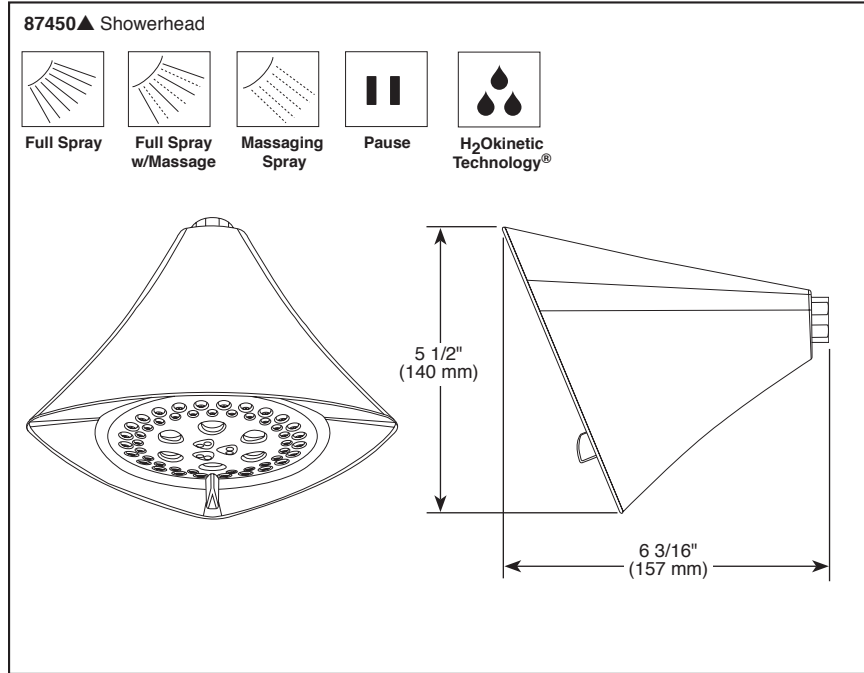


87450▲

Submitted Model No.: _____

Specific Features: _____



▲ Designate proper finish suffix

BRIZO®

5-FUNCTION SHOWERHEAD

- Sotria™ Bath Collection
- 5-Function Showerhead Featuring H₂Okinetic Technology®
- 2.0 GPM Max @ 80 PSI

STANDARD SPECIFICATIONS:

- Showerhead has 1/2"-14 NPSM female connection.
- 2.0 GPM Max @ 80 PSI.
- Wrench flats for tightening.
- Showerhead ball nut pivots and rotates.
- Finished sprayface matches shell finish.
- 5 spray settings - Full Spray, Full Spray w/Massage, Massage Spray, Pause, and H₂Okinetic Technology®.
- Easy turn dial for spray selection.
- Features Touch-Clean® nozzles.

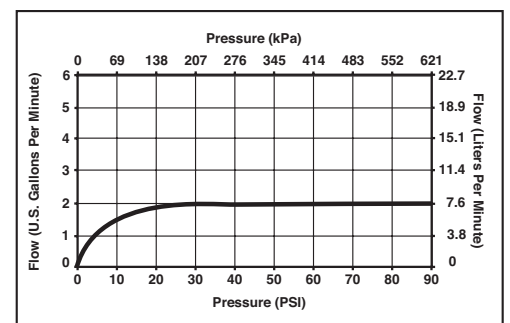
WARRANTY

- Lifetime limited warranty on parts (other than electronic parts and batteries) and finishes: or, for commercial users, for 5 years from date of purchase.
- 5 year limited warranty on electronic parts (other than batteries); or, for commercial users, for 1 year from the date of purchase. No warranty is provided on batteries.



COMPLIES WITH:

- ASME A112.18.1 / CSA B125.1
- EPA WaterSense®

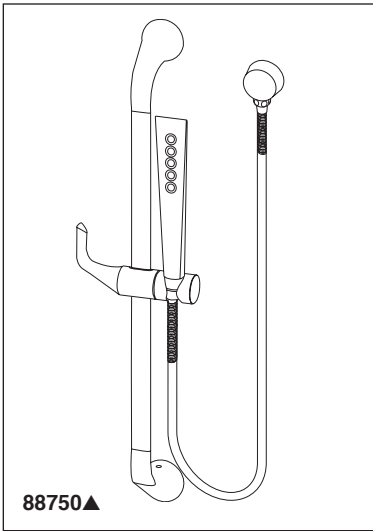


Delta reserves the right (1) to make changes in specifications and materials, and (2) to change or discontinue models, both without notice or obligation. Dimensions are for reference only. See current full-line price book or www.brizo.com for finish options and product availability.

BSP-B-87450 Rev. B

Delta Faucet Company

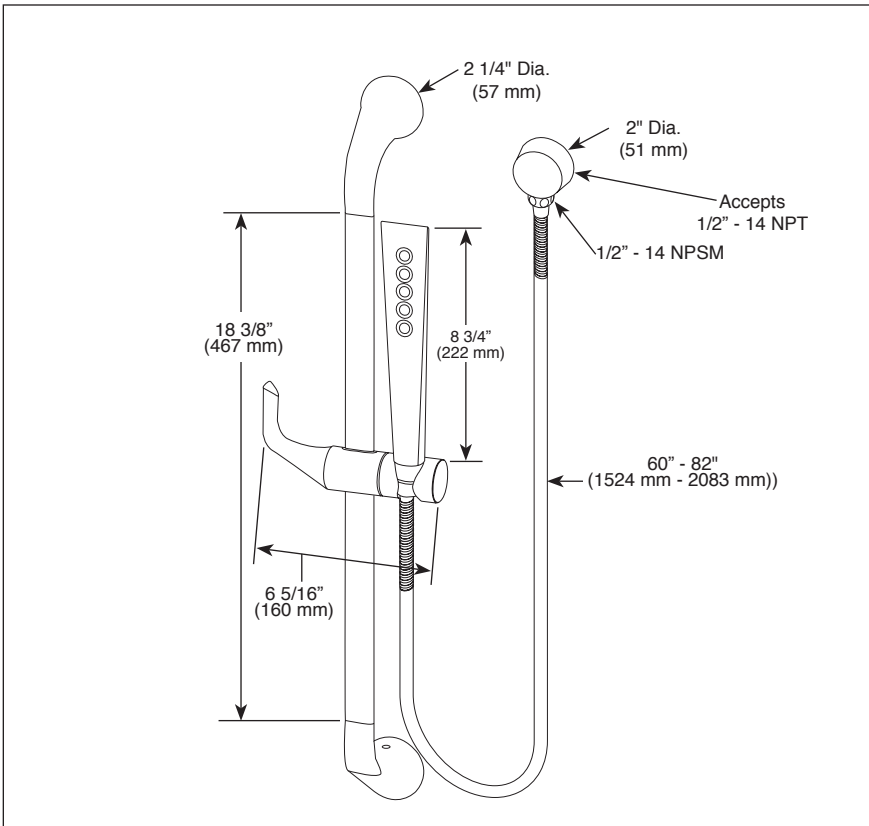
55 E. 111th Street, Indianapolis, Indiana 46280
 350 South Edgeware Road, St. Thomas, Ontario, Canada N5P 4L1
 © 2014 Masco Corporation of Indiana



88750▲

Submitted Model No.: _____

Specific Features: _____



▲ Designate proper finish suffix

Spray Pattern



H₂Okinetic
Technology®

- ◆ Your Brizo Faucet hand shower incorporates a backflow protection system that has been tested to be in compliance with ASME A112.18.3. It incorporates two certified check valves in series, which operate independently and are integral, non-serviceable parts of the wand assembly.

Delta reserves the right (1) to make changes in specifications and materials, and (2) to change or discontinue models, both without notice or obligation. Dimensions are for reference only. See current full-line price book or www.brizo.com for finish options and product availability.

DSP-B-88750 Rev. B

BRIZO® HAND SHOWER W/ SLIDE BAR

■ Sotria™ Bath Collection

STANDARD SPECIFICATIONS:

- Single function handshower featuring H₂Okinetic Technology®.
- Certified dual check valves for backflow prevention.
- 2.0 gpm @ 80 psi (7.6 L/min @ 552 kPa)
- 18 3/8" (467 mm) wall bar with adjustable slide (allows for adjustable shower height). Not to be used as a Grab Bar. Not ADA compliant.
- 60-82" (1524mm-2083 mm) stretchable finished metal hose.

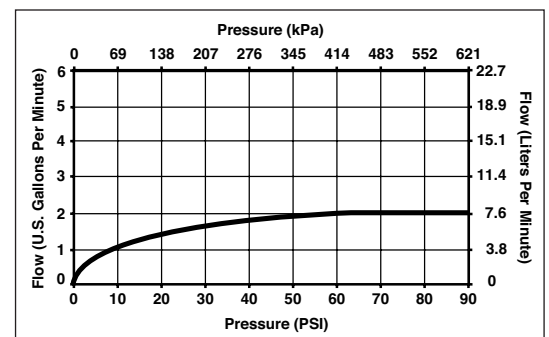
WARRANTY

- Lifetime limited warranty on parts (other than electronic parts and batteries) and finishes: or, for commercial users, for 5 years from date of purchase.
- 5 year limited warranty on electronic parts (other than batteries); or, for commercial users, for 1 year from the date of purchase. No warranty is provided on batteries.



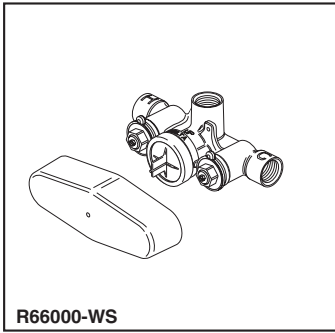
COMPLIES WITH:

- ASME A112.18.1 / CSA B125.1 ◆
- EPA WaterSense®



Delta Faucet Company

Indianapolis, Indiana 46280
A Division of Masco Corporation of Indiana
© 2014 Masco Corporation of Indiana



R66000-WS

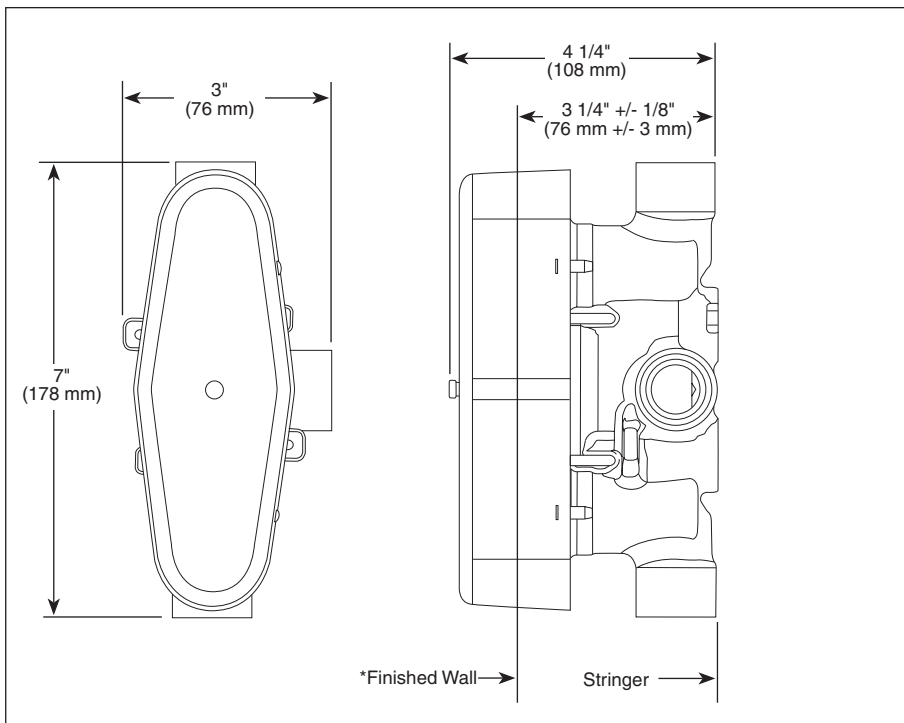
Submitted Model No.: _____

Specific Features: _____

BRIZO®

SENSORI® CUSTOM SHOWER ROUGH VALVE BODY

- R66000-WS
- Thermostatic Temperature Control Rough
- 3/4" Rough-In



STANDARD SPECIFICATIONS:

- Forged brass body.
- Can be tested with air (200 PSI) or water (300 PSI) without valve, using supplied test cap.
- For use with Sensori® thermostatic trim. Cartridge ships with trim.
- Includes stops.

WARNING: No back to back installation is allowed with this product.

WARRANTY

- Lifetime Faucet and Finish Limited Warranty to the original consumer purchaser to be free from defects in material and workmanship.
- 5 Year Limited Warranty for usage in all industrial, commercial and business applications.

RP72604▲ Available Extension Kit

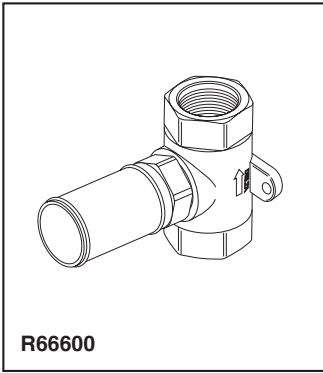
*Depending on the location of valve within the wall and wall thickness an optional extension kit (RP72604) can provide an additional 1 3/4" of wall thickness.



COMPLIES WITH:

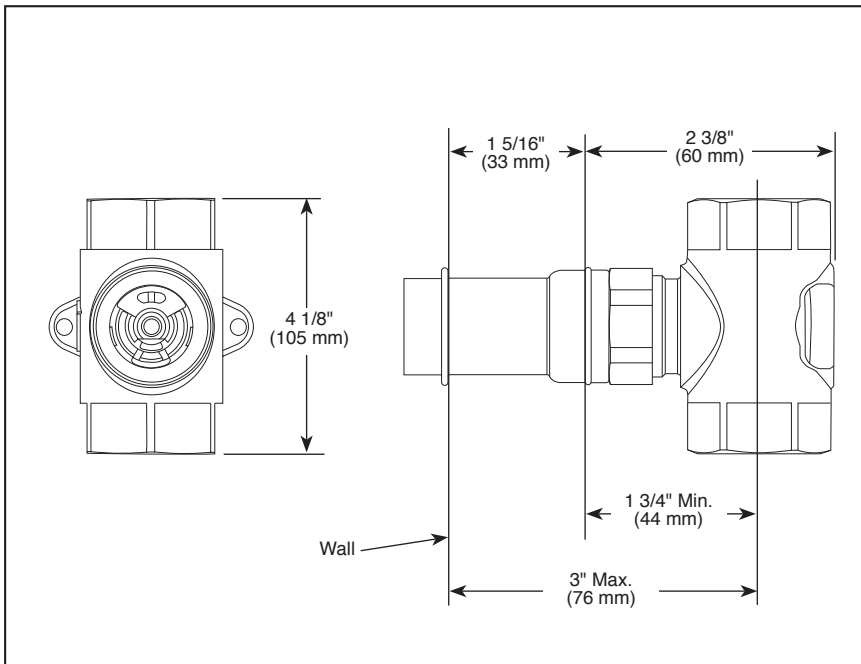
- ASME A112.18.1 / CSA B125.1

Delta reserves the right (1) to make changes in specifications and materials, and (2) to change or discontinue models, both without notice or obligation. Dimensions are for reference only. See current full-line price book or www.brizo.com for finish options and product availability.



Submitted Model No.: _____

Specific Features: _____



BRIZO®

SENSORI® CUSTOM SHOWER ROUGH

- R66600
- Volume Control Rough
- 3/4" Rough-In

STANDARD SPECIFICATIONS

- Forged brass body.
- Includes ceramic stem assembly.
- All parts are replaceable from the front.
- Recommended working pressure of 45-80 PSI.
- Volume controls are required for every outlet and every set of body sprays (up to 7.7 gpm @ 60 psi).
- Volume control only: must be used with temperature control device.

WARRANTY

- Lifetime limited warranty on parts (other than electronic parts and batteries) and finishes: or, for commercial users, for 5 years from date of purchase.
- 5 year limited warranty on electronic parts (other than batteries); or, for commercial users, for 1 year from the date of purchase. No warranty is provided on batteries.

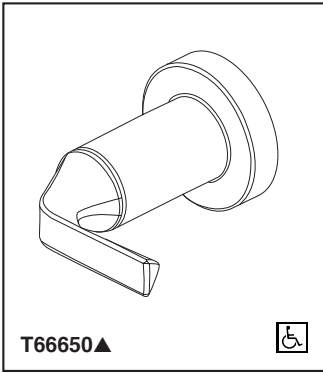
COMPLIES WITH:

- ASME A112.18.1 / CSA B125.1

Delta reserves the right (1) to make changes in specifications and materials, and (2) to change or discontinue models, both without notice or obligation. Dimensions are for reference only. See current full-line price book or www.brizo.com for finish options and product availability.

BSP-B-R66600 Rev. D

Delta Faucet Company
Indianapolis, Indiana 46280
A Division of Masco Corporation of Indiana
© 2014 Masco Corporation of Indiana

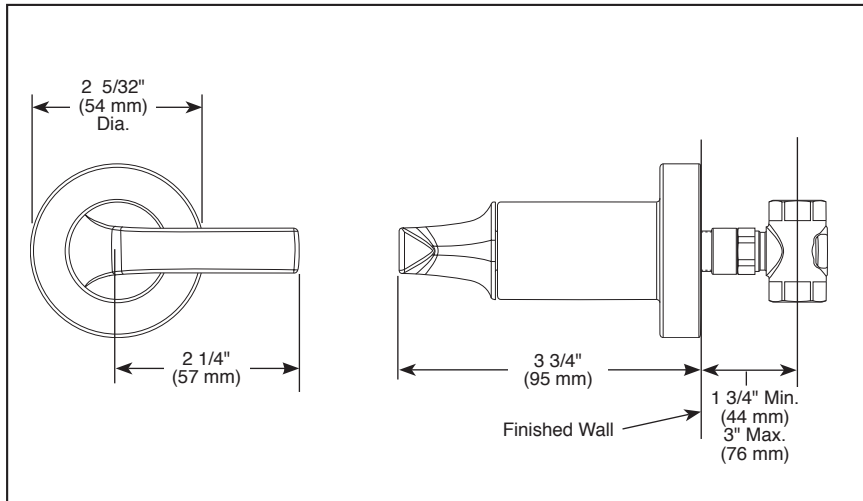


T66650▲



Submitted Model No.: _____

Specific Features: _____



▲ Designate proper finish suffix



RP74456 Available Extension Kit

BRIZO[®]

SENSORI[®]

CUSTOM SHOWER TRIM

- Sotria™ Bath Collection
- Volume Control Trim

STANDARD SPECIFICATIONS

- Must also order R66600 Rough-In.
- 180° handle rotation controls volume only.
- Volume controls are required for every outlet and every set of body sprays (up to 7.7 gpm @ 60 PSI).
- All parts are replaceable from the front.
- Adjusts for wall thickness variations.
- Recommended working pressure of 45-80 PSI.
- Volume control only; must be used with temperature control device.

WARRANTY

- Lifetime limited warranty on parts (other than electronic parts and batteries) and finishes; or, for commercial users, for 5 years from date of purchase.
- 5 year limited warranty on electronic parts (other than batteries); or, for commercial users, for 1 year from the date of purchase. No warranty is provided on batteries.

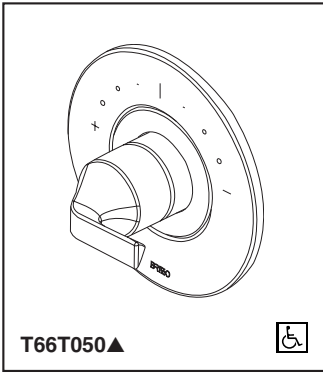
COMPLIES WITH:

- ASME A112.18.1 / CSA B125.1
-  Indicates compliance to ICC/ANSI A117.1- Valve control only.

Delta reserves the right (1) to make changes in specifications and materials, and (2) to change or discontinue models, both without notice or obligation. Dimensions are for reference only. See current full-line price book or www.brizo.com for finish options and product availability.

BSP-B-T66650 Rev. C

Delta Faucet Company
 Indianapolis, Indiana 46280
 A Division of Masco Corporation of Indiana
 © 2014 Masco Corporation of Indiana

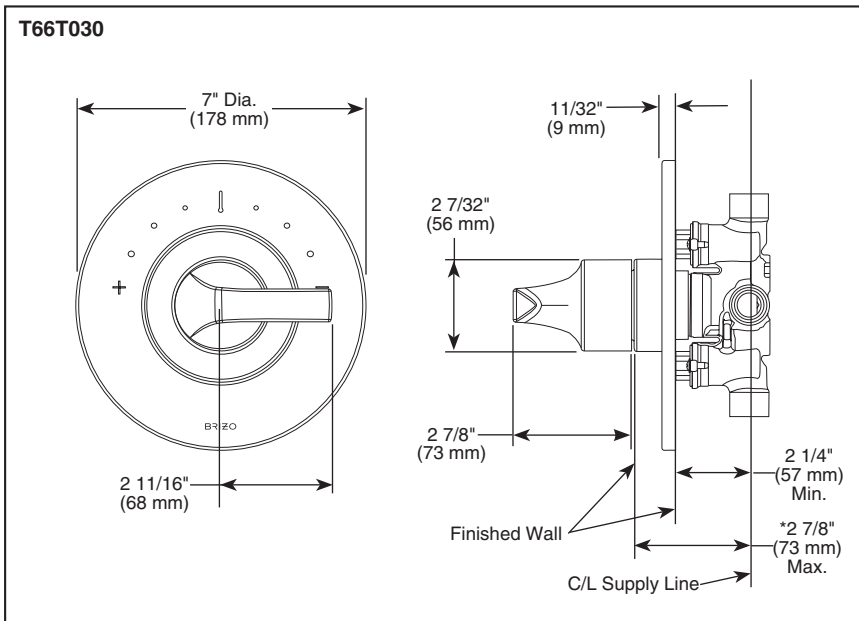


T66T050▲

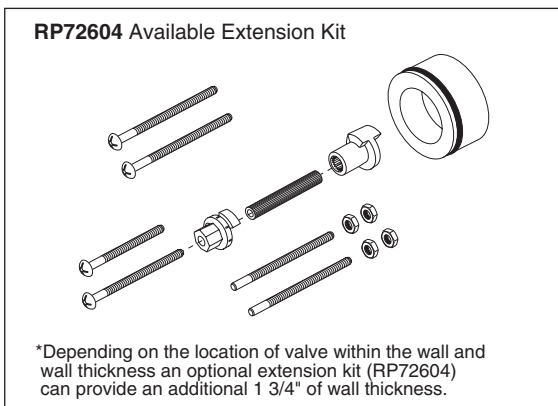


Submitted Model No.: _____

Specific Features: _____



▲ Designate proper finish suffix



RP72604 Available Extension Kit

*Depending on the location of valve within the wall and wall thickness an optional extension kit (RP72604) can provide an additional 1 3/4" of wall thickness.

BRIZO[®]

SENSORI[®]

CUSTOM SHOWER TRIM

- Sotria™ Bath Collection
- Thermostatic Control Trim

STANDARD SPECIFICATIONS

- Sensori[®] thermostatic control.
- Must also order R66000-WS rough valve body.
- Includes Sensori[®] thermostatic cartridge.
- Thermostatic wax element maintains the outlet temp to +/- 3.6° F.
- Handle controls temperature only; must be used with one or more Sensori[®] volume controls.
- Field adjustable to limit rotation into hot water zone.
- All parts are replaceable from the front of the valve.
- Adjusts for up to 5/8" wall thickness. Optional extension kit (RP72604) available.

WARRANTY

- Lifetime limited warranty on parts (other than electronic parts and batteries) and finishes: or, for commercial users, for 5 years from date of purchase.
- 5 year limited warranty on electronic parts (other than batteries); or, for commercial users, for 1 year from the date of purchase. No warranty is provided on batteries.



COMPLETE VALVE COMPLIES WITH:

- ASME A112.18.1 / CSA B125.1

 Indicates compliance to ICC/ANSI A117.1

Delta reserves the right (1) to make changes in specifications and materials, and (2) to change or discontinue models, both without notice or obligation. Dimensions are for reference only. See current full-line price book or www.brizo.com for finish options and product availability.