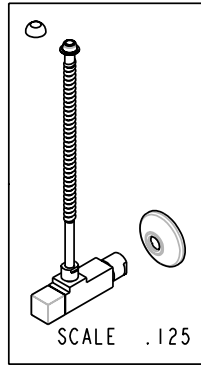
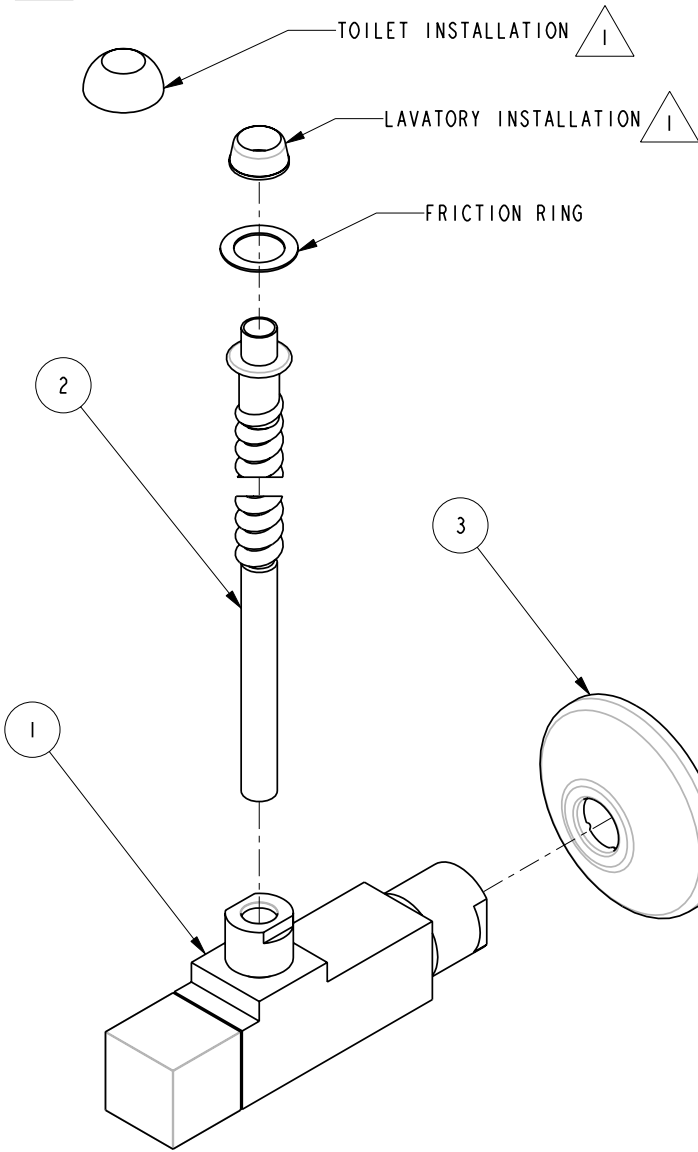


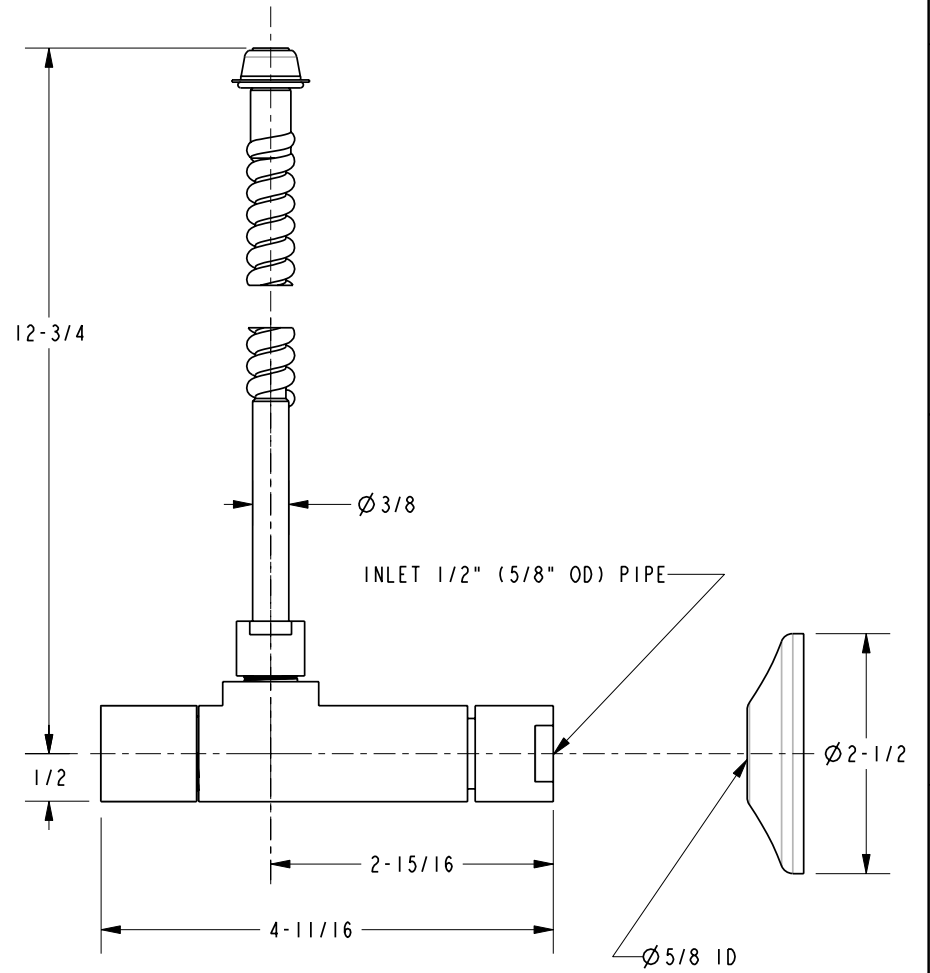
NOTES:

1 OPTIONAL NOSECONE WASHERS.



BILL OF MATERIAL (CURRENT LEVEL)

ITEM	PT/ASSY	DESCRIPTION	TYPE	QTY.
1	403-3	ANGLE VALVE, SQUARE HANDLE, CONTEMP.	ASSEMBLY	1
2	425	SUPPLY TUBE FLEX 3/8 OD X 12"	ASSEMBLY	1
3	441	FLANGE FOR 5/8 OD	PART	1



COPYRIGHT 2005 BRASSTECH, INC. THESE DRAWINGS AND THE DESIGNS DEPICTED HEREIN ARE THE PROPRIETARY PROPERTY OF BRASSTECH. ANY USE OR REPRODUCTION IS SUBJECT TO THE EXPRESS APPROVAL OF BRASSTECH. UNAUTHORIZED USE IS STRICTLY PROHIBITED. ALL RIGHTS RESERVED.

**BRASSTECH**  
INCORPORATED  
2001 E. CARNEGIE AVE.  
SANTA ANA, CA 92705  
(949) 417-5207

SUPPLY KIT 1/2CMP 3/8X12" FLEX

ASSY. NO.	473-3		-	-	-
SCALE	.500	REF.	-	REV	EO-0735
SHEET	1	OF	1	REV	4/19/07
				REV	DESC
				REV	DATE