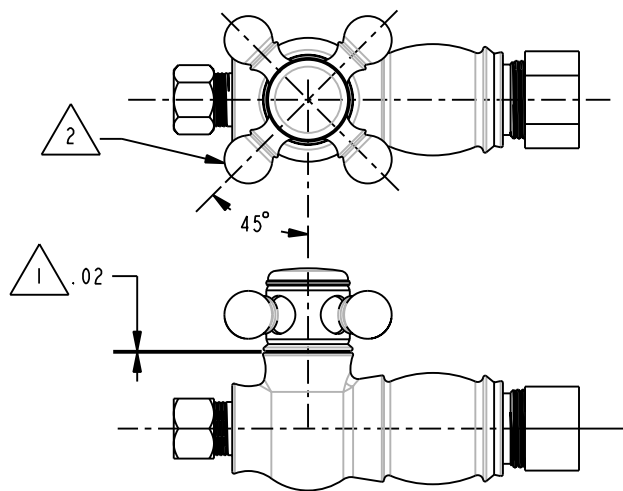
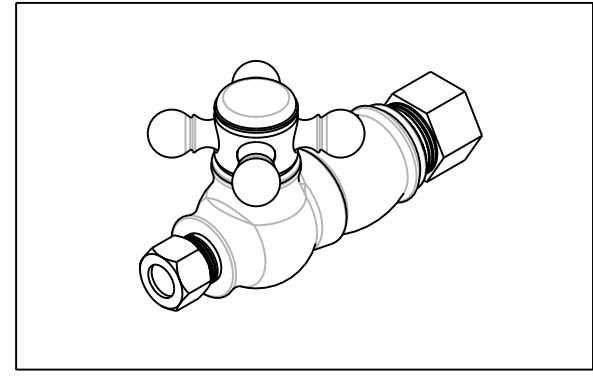
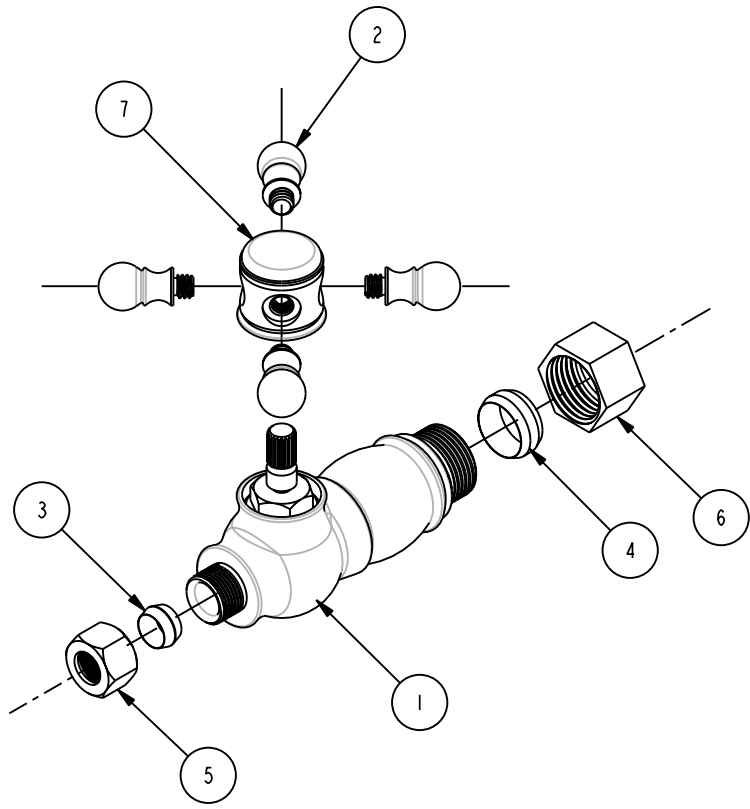


1 CLEARANCE GAP AFTER INSTALLATION

2 HANDLE ORIENTATION WHEN VALVE OPENED

BILL OF MATERIAL (CURRENT LEVEL)

ITEM	PT/ASSY	DESCRIPTION	TYPE	QTY.
1	6-035	BODY ASSY, STRAIGHT TRADITIONAL	ASSEMBLY	1
2	10851	HANDLE FINIAL	PART	4
3	50359	COMPRESSION RING	PART	1
4	50362	COMPRESSION RING	PART	1
5	50677	COMP NUT 3/8" Cu PIPE	PART	1
6	50678	COMP NUT 1/2" Cu PIPE	PART	1
7	50736	CENTER HUB, CROSS TRADITIONAL	PART	1



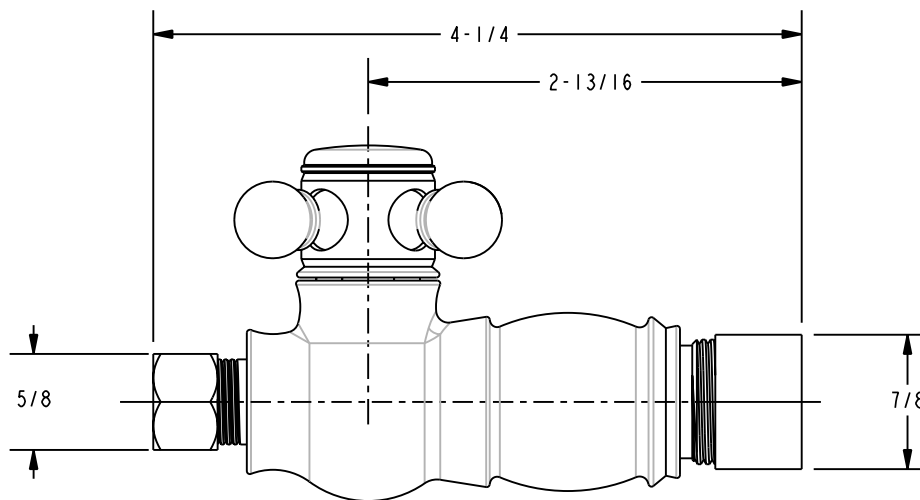
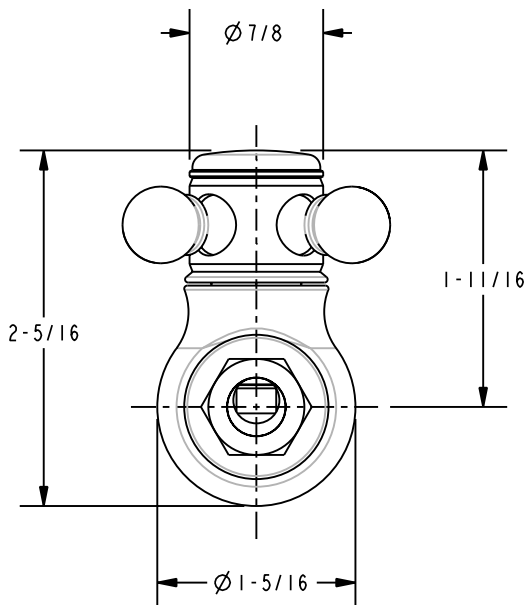
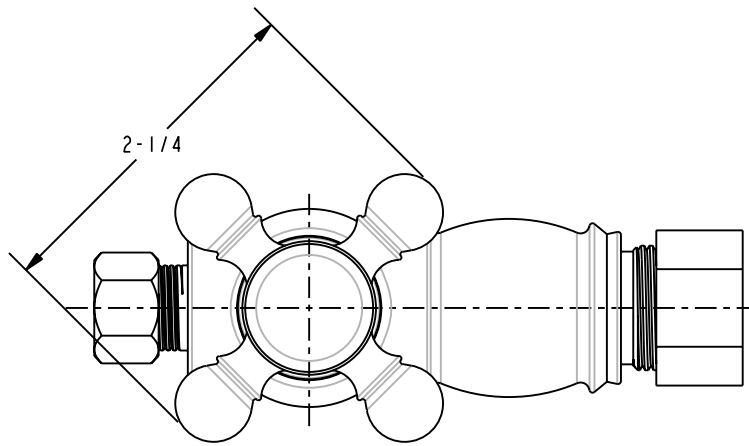
COPYRIGHT 2003 BRASSTECH, INC. THESE DRAWINGS AND THE DESIGNS DEPICTED HEREIN ARE THE PROPRIETARY PROPERTY OF BRASSTECH. ANY USE OR REPRODUCTION IS SUBJECT TO THE EXPRESS APPROVAL OF BRASSTECH. UNAUTHORIZED USE IS STRICTLY PROHIBITED. ALL RIGHTS RESERVED.

BRASSTECH
INCORPORATED
2001 E. CARNEGIE AVE.
SANTA ANA, CA 92705
(949) 417-5207

**STRAIGHT VALVE, CROSS TRADITIONAL,
1/2" TUBE INLET, 3/8" TUBE OUTLET**

ASSY. NO.		412X-2			
SCALE .500	REF. -	SHEET 1 OF 2	REV	EO-0392	07/20/04
			REV DESC		DATE

SPECIFICATION DWG



DIMENSIONS ARE IN INCHES AND AN APPROXIMATION OF A TYPICAL INSTALLATION

COPYRIGHT 2004 BRASSTECH, INC. THESE DRAWINGS AND THE DESIGNS DEPICTED HEREIN ARE THE PROPRIETARY PROPERTY OF BRASSTECH. ANY USE OR REPRODUCTION IS SUBJECT TO THE EXPRESS APPROVAL OF BRASSTECH. UNAUTHORIZED USE IS STRICTLY PROHIBITED. ALL RIGHTS RESERVED.

BRASSTECH		2001 E. CARNEGIE AVE.
INCORPORATED		SANTA ANA, CA 92705
		(949) 417-5207
DWG NO.	412X-2	REV -
SCALE .800	REF. -	SHEET 2 OF 2