

4

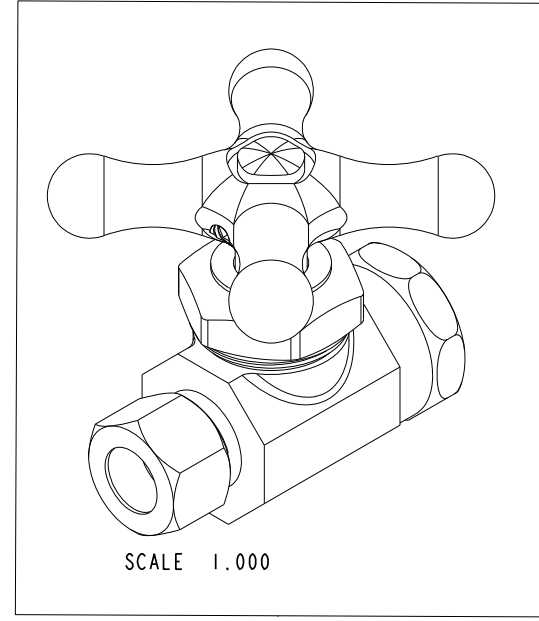
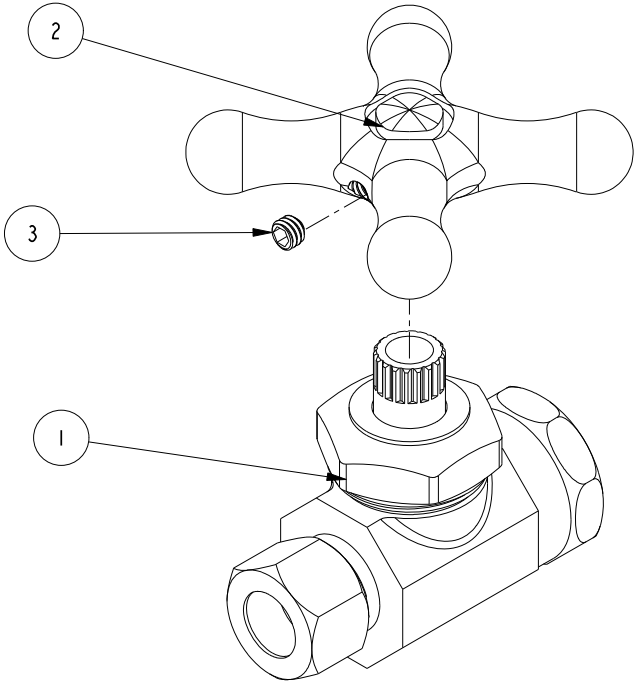
3

2

1

BILL OF MATERIAL (CURRENT LEVEL)

ITEM	PT/ASSY	DESCRIPTION	TYPE	QTY.
1	6-410	S.V. 1/2" IPS X 3/8" CMP	ASSEMBLY	1
2	50356	CROSS HANDLE	PART	1
3	92000	SCRW, 8-32 X 1/8 SKT HD CUP PT SS	PART	1



COPYRIGHT 2005 BRASSTECH, INC. THESE DRAWINGS AND THE DESIGNS DEPICTED HEREIN ARE THE PROPRIETARY PROPERTY OF BRASSTECH. ANY USE OR REPRODUCTION IS SUBJECT TO THE EXPRESS APPROVAL OF BRASSTECH. UNAUTHORIZED USE IS STRICTLY PROHIBITED. ALL RIGHTS RESERVED.

BRASSTECH
INCORPORATED

2001 E. CARNEGIE AVE.
SANTA ANA, CA 92705
(949) 417-5207

STRAIGHT VALVE 1/2" IPS X 3/8" CMP W/ X HDL

ASSY. NO.		410X		B	EN-2540	05/24/13
SCALE 1.000	REF. ***	SHEET 1	OF 2	-	EN-1699	02/03/11
		REV	REV DESC			DATE

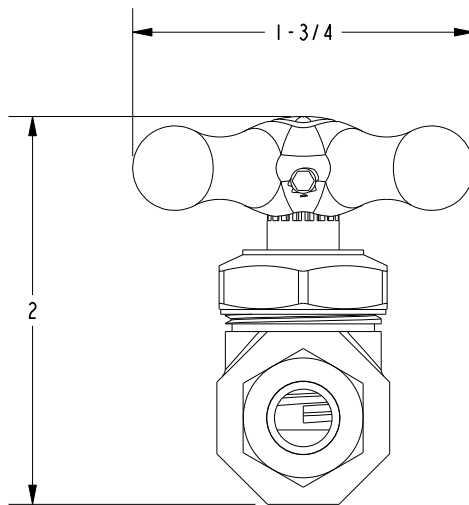
4

3

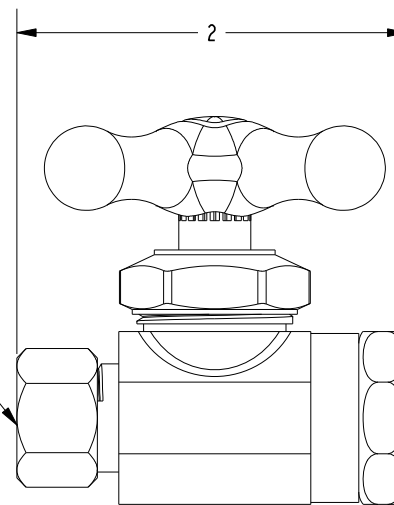
2

1

SPECIFICATION DWG



3/8" COMPRESSION OUTLET



1/2-14 NPT

DIMENSIONS ARE IN INCHES AND AN APPROXIMATION OF A TYPICAL INSTALLATION

COPYRIGHT 2005 BRASSTECH, INC. THESE DRAWINGS AND THE DESIGNS DEPICTED HEREIN ARE THE PROPRIETARY PROPERTY OF BRASSTECH. ANY USE OR REPRODUCTION IS SUBJECT TO THE EXPRESS APPROVAL OF BRASSTECH. UNAUTHORIZED USE IS STRICTLY PROHIBITED. ALL RIGHTS RESERVED.

BRASSTECH		2001 CARNEGIE AVE. SANTA ANA, CA 92705 (949) 417-5207	
INCORPORATED			
DWG NO.	410X	REV B	
SCALE 1.000	REF.	SHEET 2 OF 2	