

30" Double Wall Oven

500 Series – Stainless Steel HBL5651UC



HBL5651UC
Stainless Steel

The Bosch wall oven features Convection Pro and heavy metal stainless steel knobs.

Features & Benefits

Convection Pro combines a third heating element with a back fan for even browning and time savings by using multiple racks at one time.

Heavy-duty metal knobs offer a premium European feel.

Bosch wall ovens are compatible with most competitors' cutouts.

The wall oven is designed to be installed flush with cabinetry.

General Properties

Oven modes – upper cavity	Bake, Variable Broil (hi & low), Roast, Warm, Sabbath, Proof Dough, Convection Bake, Convection Broil, Convection Roast, Pizza, Convection Multi-Rack, Convection Conversion
Oven modes – lower cavity	Bake, Variable Broil (hi & low), Roast, Warm, Sabbath
Cleaning type – upper & lower cavity	Self Clean
Telescopic rack	0
Illumination type – upper & lower cavity	Halogen
Interior lights – upper cavity	1
Interior lights – lower cavity	1

Oven Performance

Bake / Broil element – upper & lower cavity	2,400 / 3,800 W
Convection element – upper cavity	2,000 W



Technical Details

Watts	8,455 W
Volts, Frequency, Circuit breaker	240 / 208 V, 60 Hz, 40 A
Power cord length; Plug type	60"; Fixed connection, no plug
Energy source	Electric

Dimensions & Weight

Overall appliance dimensions (HxWxD)	52 1/16" x 29 3/4" x 24 1/2"
Required cutout size – Standard (HxWxD)	49 3/4" – 51 1/2" x 28 1/2" x 23 1/2"
Required cutout size – Flush (HxWxD)	52 3/16" x 30" x 24 1/2"
Oven cavity size	4.6 cu. ft.
Overall oven interior dimensions (HxWxD)	17 13/16" x 24 1/8" x 18"
Usable oven interior dimensions (HxWxD)	12 5/16" x 23 1/4" x 15 1/4"
Net weight	261 lbs

Accessories—Included

Included	Upper Oven: 2 Standard Oven Racks Lower Oven: 2 Standard Oven Racks
----------	--

Accessories—Optional



HEZTR301
30" Telescopic Rack



00798845
30" Flat Rack



00449757
Broiler Pan

Accessories: To purchase Bosch accessories, cleaners & parts please visit www.bosch-home.com/us/store or call 1-800-944-2904 (Mon to Fri 5 am to 6 pm PST, Sat 6 am to 3 pm PST).

Notes: All height, width and depth dimensions are shown in inches. BSH reserves the absolute and unrestricted right to change product materials and specifications, at any time, without notice. Consult the product's installation instructions for final dimensional data and other details prior to making cutout.

Warranties: Please see Use & Care manual or Bosch website for statement of limited warranty.

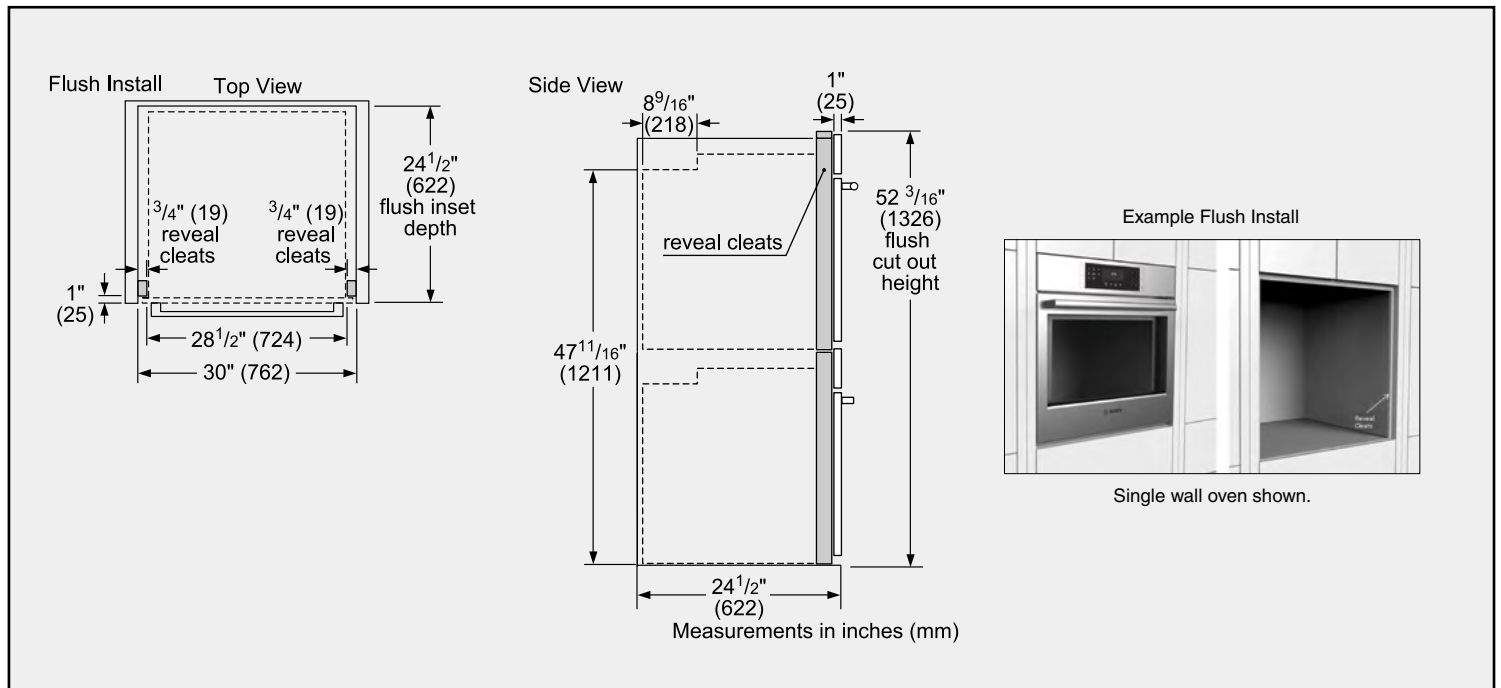
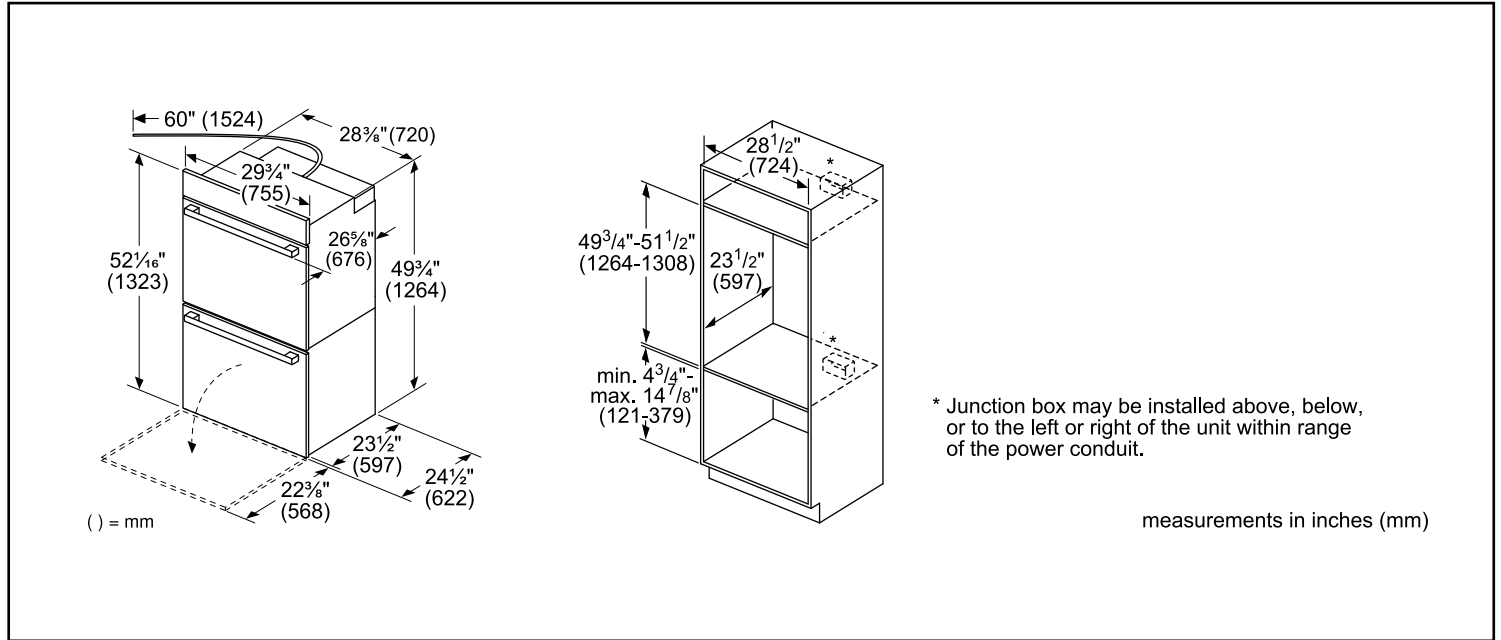
For more information on our entire line of products, go to www.bosch-home.com/us or call 1-800-944-2904

© BSH Home Appliances Corporation. All rights reserved. Bosch is a registered trademark of Robert Bosch GmbH.

30" Double Wall Oven

500 Series – Stainless Steel HBL5651UC

Installation Details



Accessories: To purchase Bosch accessories, cleaners & parts please visit www.bosch-home.com/us/store or call 1-800-944-2904 (Mon to Fri 5 am to 6 pm PST, Sat 6 am to 3 pm PST).

Notes: All height, width and depth dimensions are shown in inches. BSH reserves the absolute and unrestricted right to change product materials and specifications, at any time, without notice. Consult the product's installation instructions for final dimensional data and other details prior to making cutout.

Warranties: Please see Use & Care manual or Bosch website for statement of limited warranty.

For more information on our entire line of products, go to www.bosch-home.com/us or call 1-800-944-2904

© BSH Home Appliances Corporation. All rights reserved. Bosch is a registered trademark of Robert Bosch GmbH.

30" Double Wall Oven

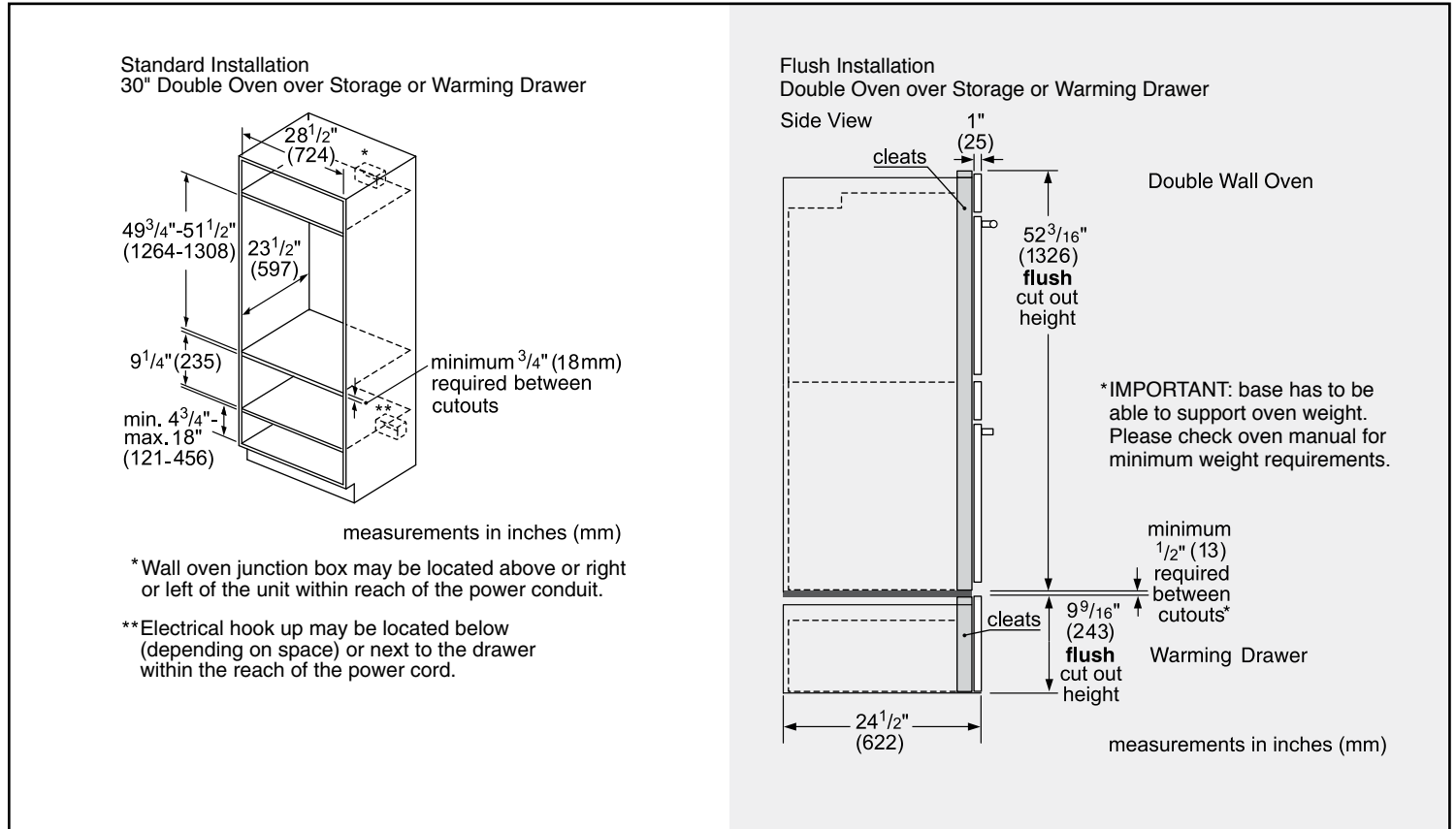
500 Series – Stainless Steel HBL5651UC



BOSCH

Invented for life

Installation Details



Accessories: To purchase Bosch accessories, cleaners & parts please visit www.bosch-home.com/us/store or call 1-800-944-2904 (Mon to Fri 5 am to 6 pm PST, Sat 6 am to 3 pm PST).

Notes: All height, width and depth dimensions are shown in inches. BSH reserves the absolute and unrestricted right to change product materials and specifications, at any time, without notice. Consult the product's installation instructions for final dimensional data and other details prior to making cutout.

Warranties: Please see Use & Care manual or Bosch website for statement of limited warranty.

For more information on our entire line of products, go to www.bosch-home.com/us or call 1-800-944-2904

© BSH Home Appliances Corporation. All rights reserved. Bosch is a registered trademark of Robert Bosch GmbH.