

Installation Instructions
Instrucciones de Instalación

3-30
31-59

Microwave oven

Model:
HMV 5051 U



Table of Contents

Safety	4
Important Safety Instructions	4
Before you begin	7
Location requirements	9
Installation procedure	10
Removing the mounting plate	10
Finding the wall studs	10
Possible wall stud configurations	10
Attaching the mounting plate to the wall	12
Installation types	16
Roof venting	17
Wall venting	20
Room venting	25
Mounting the microwave oven	27
Hood exhaust	29
Service	30

Safety



Important Safety Instructions

READ AND SAVE THESE INSTRUCTIONS

Important

SAVE THESE INSTRUCTIONS FOR THE LOCAL ELECTRICAL INSPECTOR'S USE.

LEAVE THESE INSTRUCTIONS WITH THE APPLIANCE AFTER INSTALLATION IS COMPLETE.



WARNING: If the information in this manual is not followed exactly, fire or shock may result causing property damage or personal injury.

Examine your oven

Unpack oven, remove all tape and packaging material and examine the oven for any damage such as dents, broken door latches or cracks in the door. Notify dealer immediately if oven is damaged. Do not install if oven is damaged.

Destroy the packaging after unpacking the appliance. Never allow children to play with packaging material.

Appliance handling safety

Unit is heavy and requires at least two people or proper equipment to move.

Hidden surface may have sharp edges. Use caution when reaching behind or under appliance.

Intended Use



CAUTION: For general ventilating use only. Do not use to exhaust hazardous or explosive materials and vapours.

Grounding Instructions

This appliance must be properly grounded. Grounding reduces risk of electric shock by providing an escape wire for the electric current if an electrical short occurs. This oven is equipped with a cord having a grounding wire with a grounding plug. The plug must be plugged into an outlet that is properly installed and grounded.



WARNING: Improper use of the grounding can result in a risk of electric shock.

Consult a qualified electrician or servicer if grounding instructions are not completely understood, or if doubt exists as to whether the oven is properly grounded.

Do not use an extension cord. If the product power cord is too short, have a qualified electrician install a three-slot receptacle. This oven should be plugged into a separate 60 Hertz circuit with the electrical rating as shown in specifications table. When the oven is on a circuit with other equipment, an increase in cooking times may be required and fuses can be blown.

Microwave operates on standard household current, 110-120 V.



Important Safety Instructions

READ AND SAVE THESE INSTRUCTIONS

Electrical Requirements

- a three prong grounded outlet
- 120 V, 60 Hz, AC only
- 15 Amp electrical supply with a fuse or a circuit breaker
- 1.6 kilowatt

This product must be connected to a supply circuit of the proper voltage and frequency. Wire size must conform to the requirements of the National Electric Code or the prevailing local code for this rating. The power supply cord and plug should be brought to a separate 15- to 20-amp branch circuit single grounded outlet. The outlet box should be located in the cabinet above the microwave oven. The outlet box and supply circuit should be installed by a qualified electrician and conform to the National Electrical Code or the prevailing local code.

The voltage used must be the same as specified on this microwave oven. Using a higher voltage is dangerous and may result in a fire or oven damage. Using a lower voltage will cause slow cooking. The dealer is not responsible for any damages resulting from the use of the oven with any voltage other than specified.

Location requirements

Check the opening where the microwave oven will be installed. The location must provide:

- Minimum installation dimensions (See **Installation Dimensions** illustration)
- Minimum one 2" x 4" (50.8 x 101.6 mm) wood wall stud and minimum 3/8" (9.5 mm) thickness drywall or plaster/lath within cabinet opening.
- Support for weight of 150 lbs (68 kg), which includes microwave oven and items placed inside the microwave oven and upper cabinet.
- Grounded electrical outlet inside upper cabinet. (See **Electrical Requirements** section).

Notes:

- If installing the microwave oven near a left sidewall, make sure there is at least 7" (178 mm) of clearance between the wall and the microwave oven, so that the door can open fully.
- Some cabinet and building materials are not designed to withstand the heat produced by the microwave oven for cooking. Check with your builder or cabinet supplier to make sure that the materials used will not discolor, delaminate or sustain other damages.

Ground continuity check

The installer must perform a ground continuity check on the power outlet box before beginning the installation to insure that the outlet box is properly grounded. If not properly grounded, or if the outlet box does not meet **Electrical Requirements**, a qualified electrician should be employed to correct any deficiencies.



Important Safety Instructions

READ AND SAVE THESE INSTRUCTIONS

Electric safety



CAUTION: For personal safety, remove house fuse or switch off the circuit breaker in the fuse box before beginning installation to avoid severe or fatal shock injury. Lock circuit breaker to prevent power from being turned on accidentally.

Be sure your appliance is properly installed and grounded by a qualified technician.

Installer – show the owner the location of the circuit breaker or fuse. Mark it for easy reference.

Do not, under any circumstances, cut or remove the ground prong. It must be plugged into a matching grounding type receptacle to avoid electrical shock. If there is any doubt as to whether the wall receptacle is properly grounded, the customer should have it checked by a qualified electrician. Do not use an extension cord.

Related equipment safety



CAUTION: For personal safety, this product cannot be installed in cabinet arrangements such as an island or a peninsula. It must be mounted to **both** a top cabinet **and** a wall.



WARNING: To reduce the risk of fire, use only metal ductwork.

Service and Repair Safety



WARNING: Do not repair or replace any part of the appliance unless specifically recommended in the manuals. Never modify or alter the construction of the appliance. Improper installation, service or maintenance can cause injury or property damage. Refer to this manual for guidance. Refer all other servicing to a factory authorized service center.

Before you begin

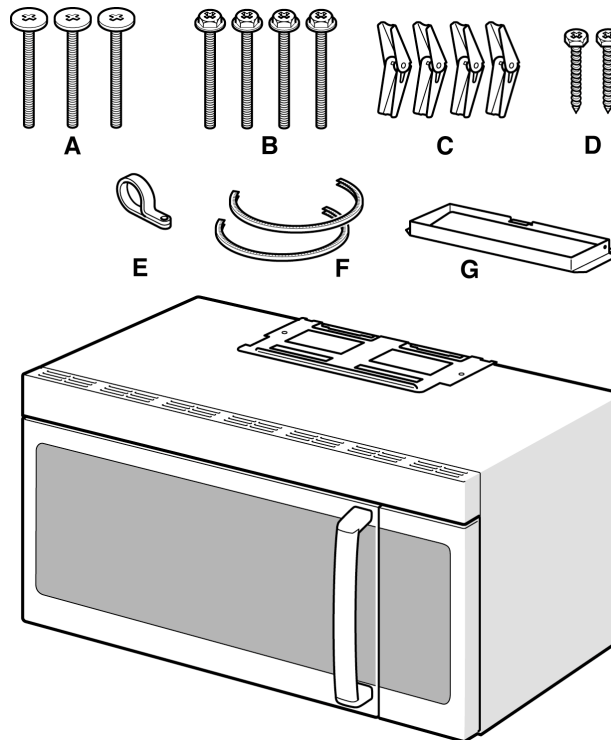
Tools and parts needed

- No.1 Phillips screwdriver
- Pencil
- Ruler or tape measure and straight edge
- Drill with $\frac{3}{16}$ " (5 mm), $\frac{1}{2}$ " (13 mm) and $\frac{5}{8}$ " (16 mm) drill bits
- Gloves
- Saw (saber, hole or keyhole)
- Stud finder or hammer
- Safety goggles
- Level
- Duct and masking tape

optional

- Carpenter square
- Tin snips (to cut damper)
- Scissors (to cut top cabinet template)
- Filler blocks or scrap wood pieces (for recessed bottom cabinet installations)

Parts included



You will find the installation hardware contained in packet with the unit. Check to make sure you have all these parts:

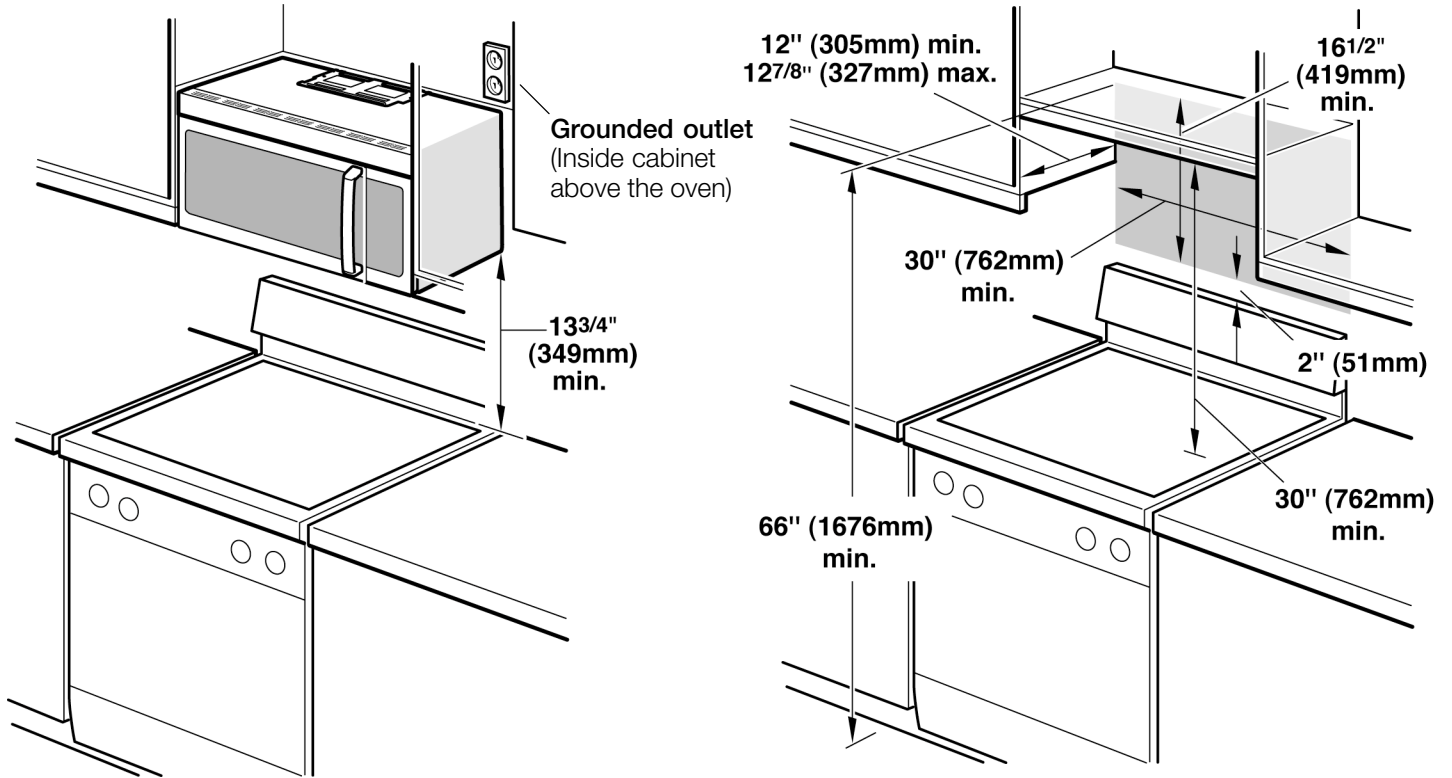
- **A** Self-Aligning Machine Screws – $\frac{1}{4}$ "-28 x $3\frac{1}{4}$ " (6-0,9 x 83 mm)
- **B** Toggle bolts – $\frac{3}{16}$ " x 3" (5 x 76 mm)
- **C** Toggle wings
- **D** Wood screws – $\frac{1}{4}$ " x 2" (6 x 51 mm)
- **E** Power chord strap
- **F** Nylon grommet (for metal cabinets)
- **G** Exhaust adaptor

Not shown:

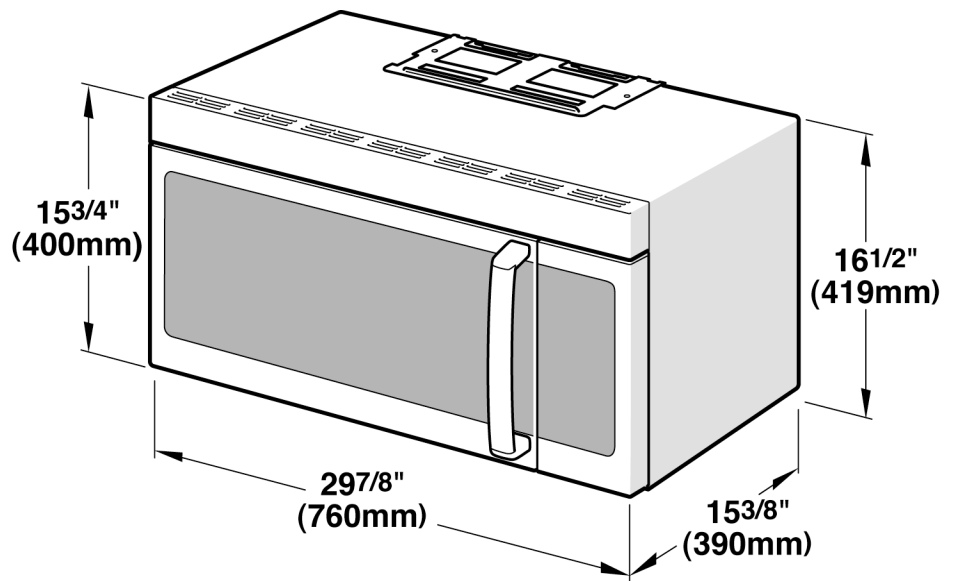
- Top cabinet template
- Mounting plate (attached to the back of microwave oven)
- Grease filters
- Charcoal filter (attached to microwave oven)

Location requirements

Installation dimensions



Product dimensions



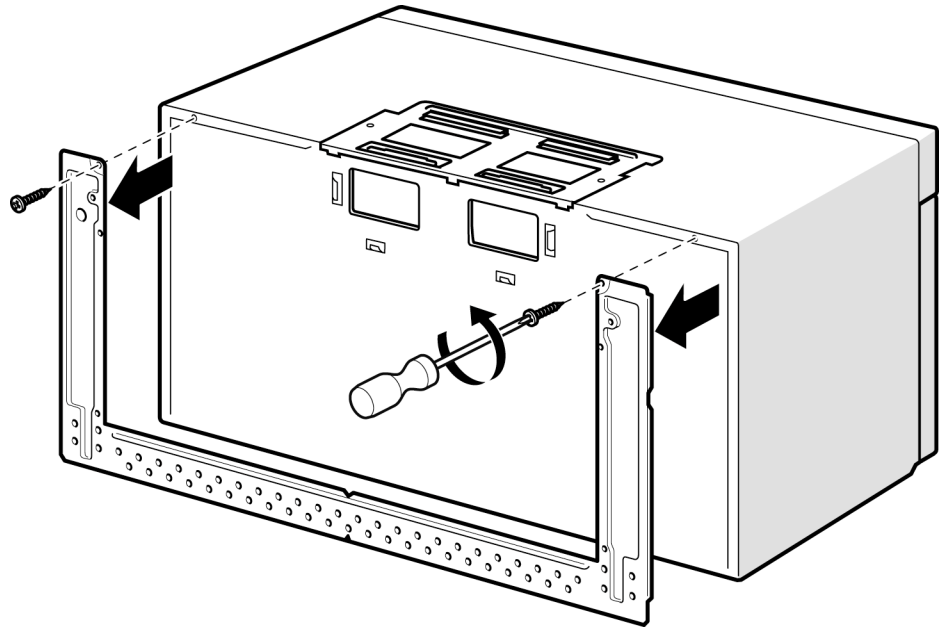
Installation procedure

Removing the mounting plate

Note: To avoid possible damage to the work surface or to the bottom of the appliance, cover the worksurface.

1. Remove any remaining contents from the microwave oven cavity.
2. Remove the screws from the mounting plate.

This plate will be used as the rear wall template and for mounting.



3. Reinstall the screws into the holes where they were removed.

Note: To avoid damage to the microwave oven, do not grip or use the door or door handle while the microwave oven is being handled.

Finding the wall studs

Note: The microwave must be connected to at least **one** wall stud. If no wall studs exist within the cabinet opening, do not install the microwave oven.

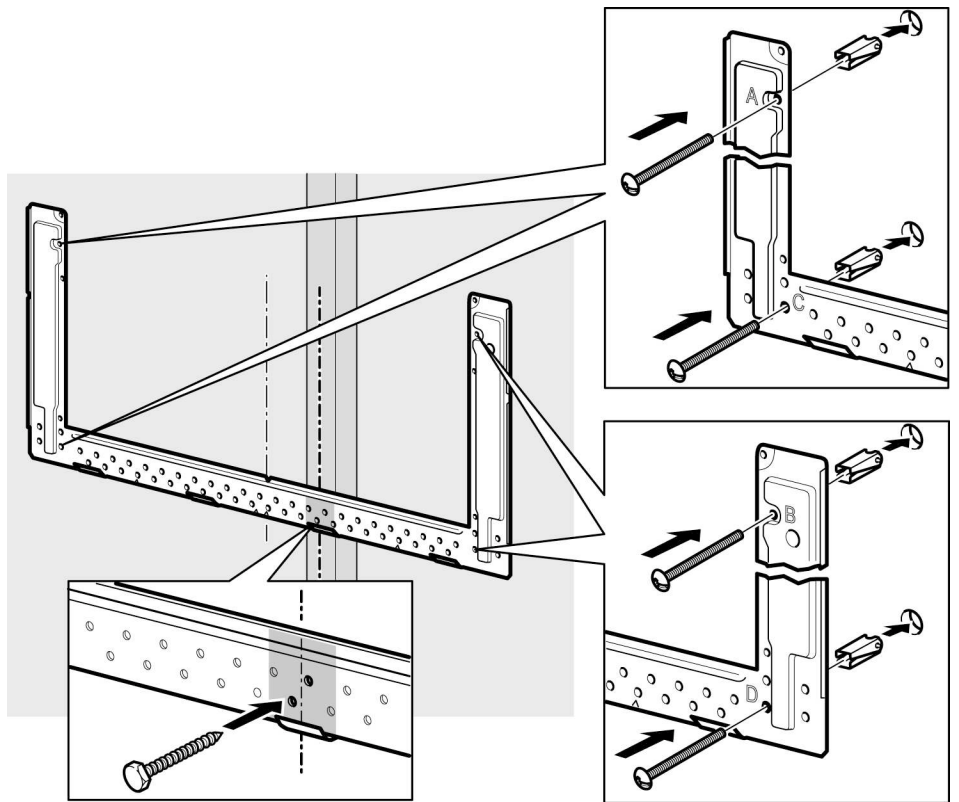
1. Locate the edges of the wall studs within the cabinet opening by using:
 - a stud finder or
 - a hammer (tapping lightly across the mounting surface to find a solid sound).
2. Place a mark halfway between the edges and draw a line down the center of the studs (See possible wall studs configuration)

Possible wall stud configurations

These depictions show examples of preferred installation configurations with the mounting plate.

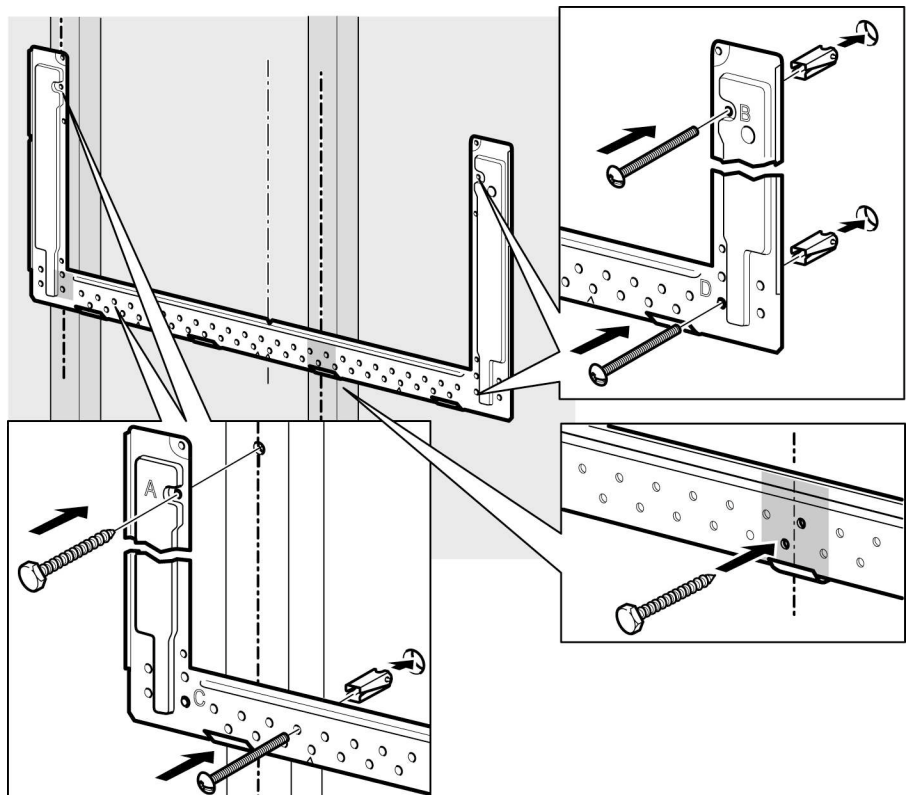
Note: Care must be taken when drilling holes. Electrical wires may be concealed behind the wall covering and contact with them could result in electrical shock.

No wall studs at corner holes

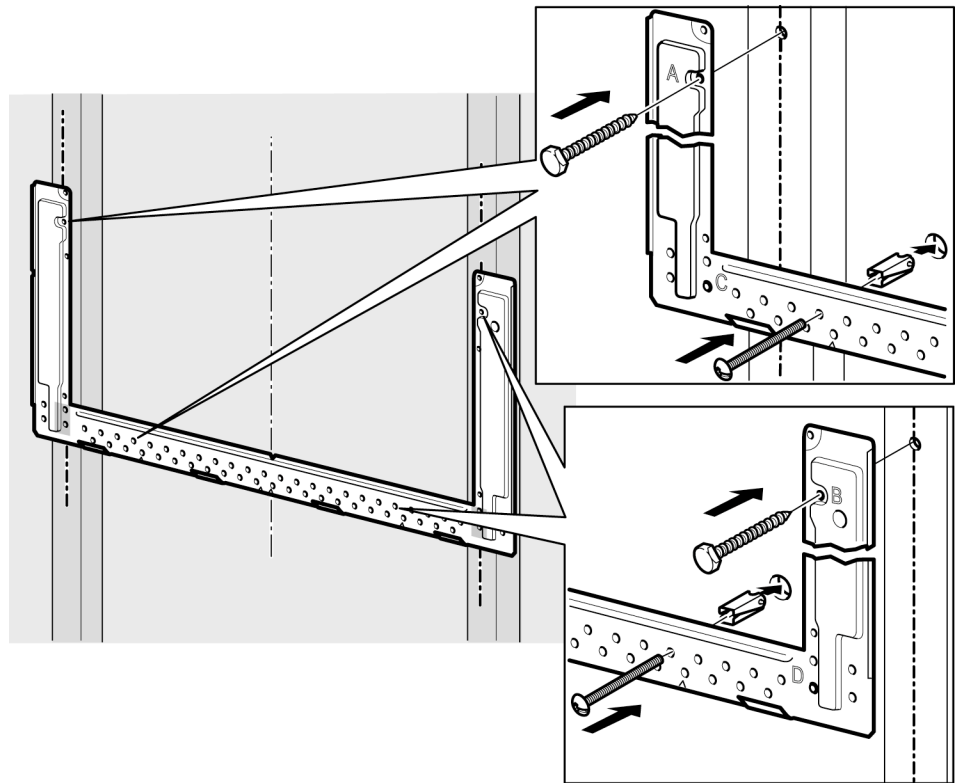


Note: If wall stud is within 6¼" (159 mm) of the vertical centerline, only Room Venting (recirculation) or Roof Venting installations can be done.

Wall stud at one corner hole



Wall studs at both corner holes



Attaching the mounting plate to the wall

Aligning the mounting plate



CAUTION: Wear gloves to avoid cutting fingers on sharp edges.

Note: Make sure the cabinet bottom is level.

1. Draw a vertical line on the wall at the center of the cabinet space.
2. Use the mounting plate as a **template** and place it on the wall, making sure that the tabs are touching the bottom of the cabinet (Figure 1) or the level line (Figure 2).
3. Line up the notch and centerline of the mounting plate to the centerline on the wall.
4. While holding the mounting plate, draw circles on the wall at holes **A**, **B**, **C** and **D**.

Note: If neither A, B, C nor D is in a stud, find a stud somewhere in the bottom area of the mounting plate and draw a fifth circle to line up with the stud.

It is important to use at least one wood screw mounted firmly in a stud to support the weight of the microwave.

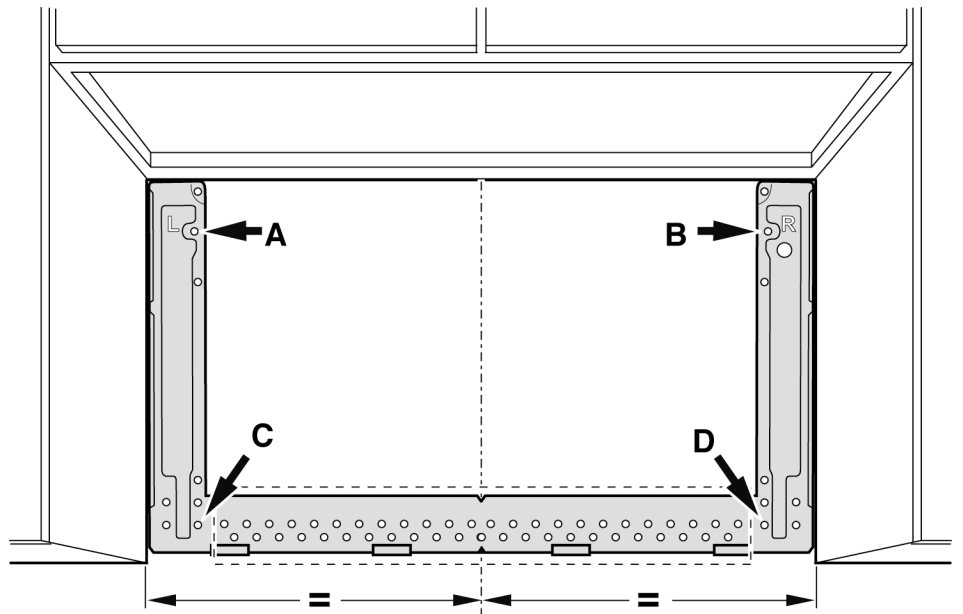


Figure 1 – Flat or frame recessed bottom cabinet

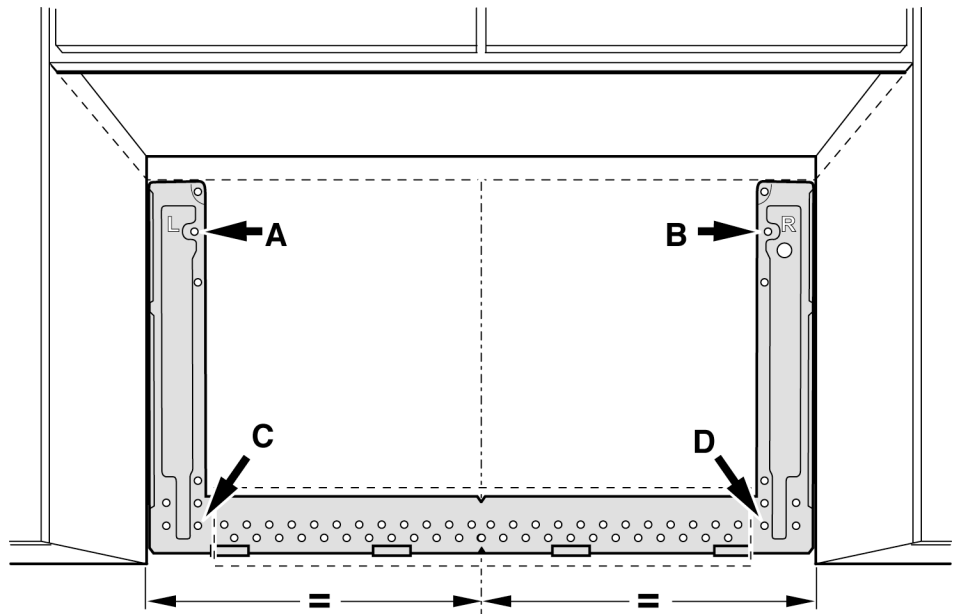


Figure 2 – Recessed bottom cabinet with front overhang

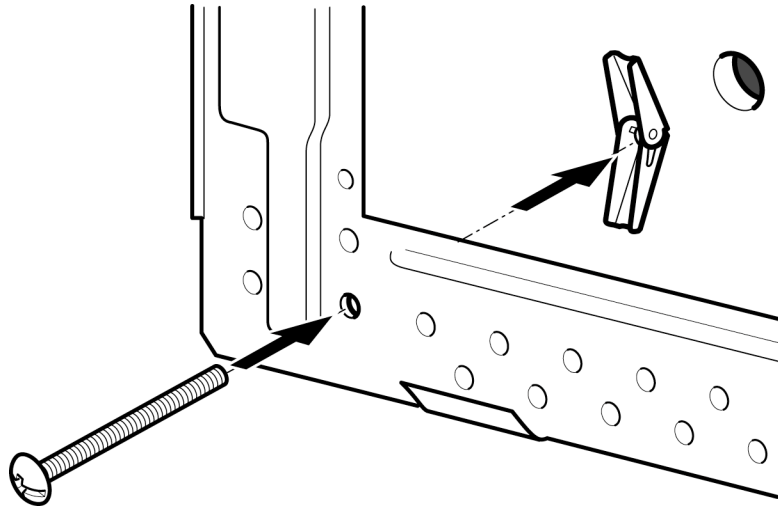
5. Set the mounting plate aside

6. Drill holes on the circles:

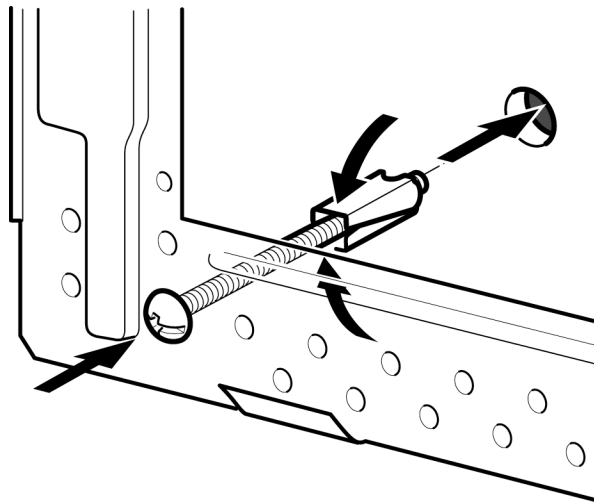
- 3/16" (5 mm) holes for wood screws (stud)
- 5/8" (16 mm) holes for toggle bolts (no stud)

**Attaching the mounting plate
(no wall studs at corner holes)**

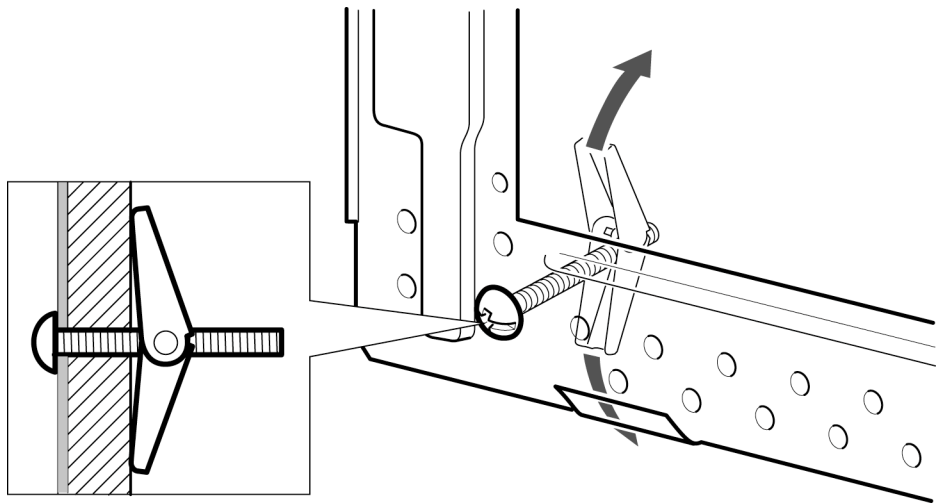
1. Insert the bolts into the mounting plate through the holes designated.



2. Attach toggle wings from the back of the mounting plate onto each bolt. Leave enough space for toggle wings to go through the wall and to open.



3. Place the mounting plate against the wall and make sure tabs are touching the bottom of the cabinet or the level line (see "Aligning the mounting plate").
4. Push the bolts through the drywall and finger tighten the bolts to make sure toggle wings have opened against drywall.



5. Check if the plate is properly centered, make sure it is level.
6. Securely tighten all screws, including the fifth wood screw in the bottom area of the mounting plate.

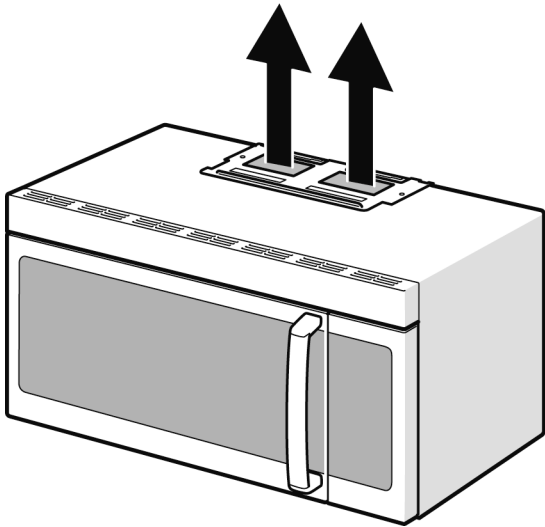
**Attaching the mounting plate
(Wall stud at one corner hole)**

1. Insert the bolts and the wood screws into the mounting plate through the holes designated.
2. Attach toggle wings from the back of the mounting plate onto each bolt. Leave enough space for toggle wings to go through the wall and to open.
3. Place the mounting plate against the wall and make sure tabs are touching the bottom of the cabinet or the level line (see "Aligning the mounting plate").
4. Push the bolts through the drywall and finger tighten the bolts to make sure toggle wings have opened against drywall.
5. Check if the plate is properly centered, make sure it is level.
6. Securely tighten all screws and bolts.

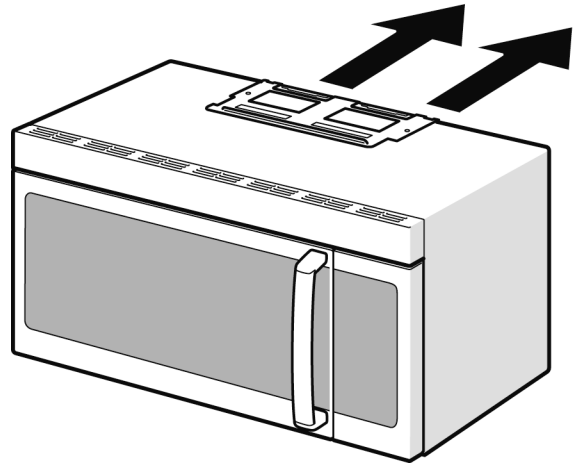
**Attaching the mounting plate
(Wall studs at both corner holes)**

1. Insert the wood screws into the mounting plate through the holes designated.
2. Place the mounting plate against the wall and make sure tabs are touching the bottom of the cabinet or the level line (see "Aligning the mounting plate").
3. Check if the plate is properly centered, make sure it is level.
4. Securely tighten all screws.

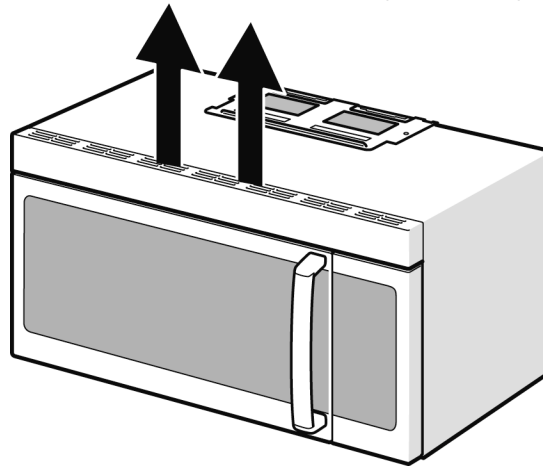
Installation types



ROOF VENTING
proceed to page 17



WALL VENTING
proceed to page 20

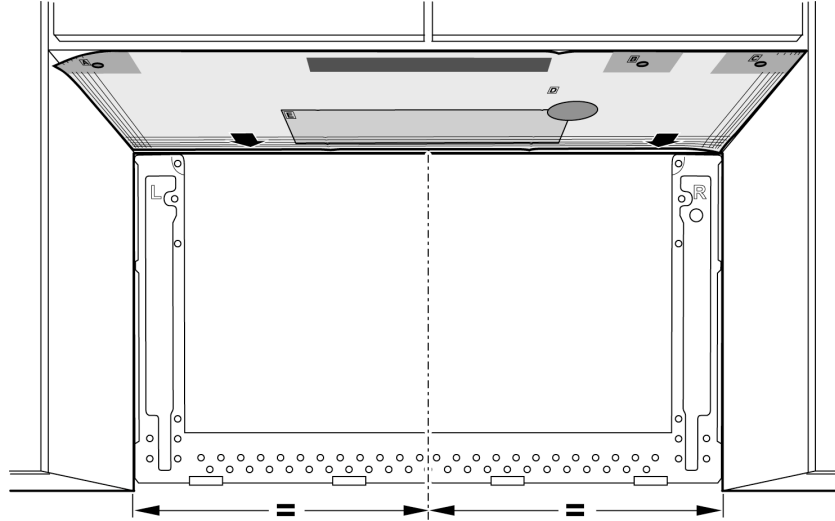


ROOM VENTING
proceed to page 25

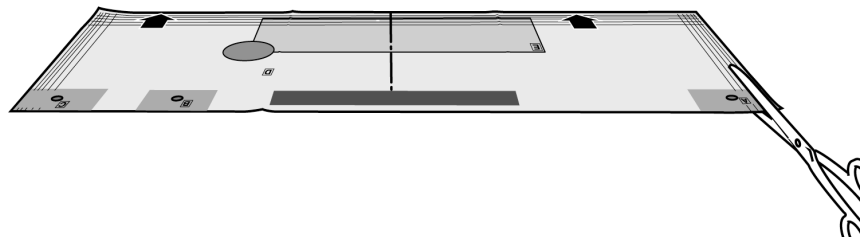
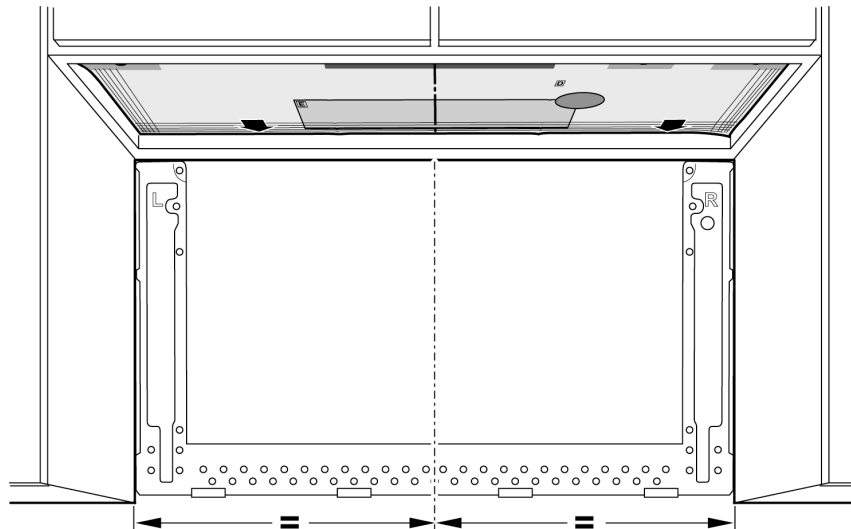
Roof venting

Prepare upper cabinet

1. Remove power to outlet.
2. Remove all contents from upper cabinet.
3. Tape the **TOP CABINET TEMPLATE** onto the bottom surface. Make sure the template centerline aligns with the vertical line on the wall. Rear wall arrows must be against rear wall.



Note: For recessed cabinet bottom, trim the template edges so that it fits inside the recessed area. The template has trim lines to use as guides.



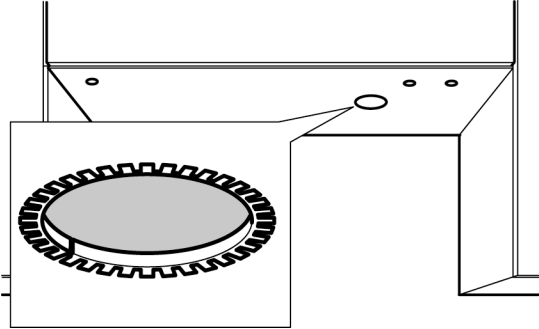
4. Drill $\frac{3}{8}$ " (9,5 mm) holes at "A", "B" and "C"



CAUTION: Wear safety goggles when drilling holes in the cabinet bottom.

5. Cut out the 2" (50,8 mm) hole at "D". This hole is for the power supply cord.

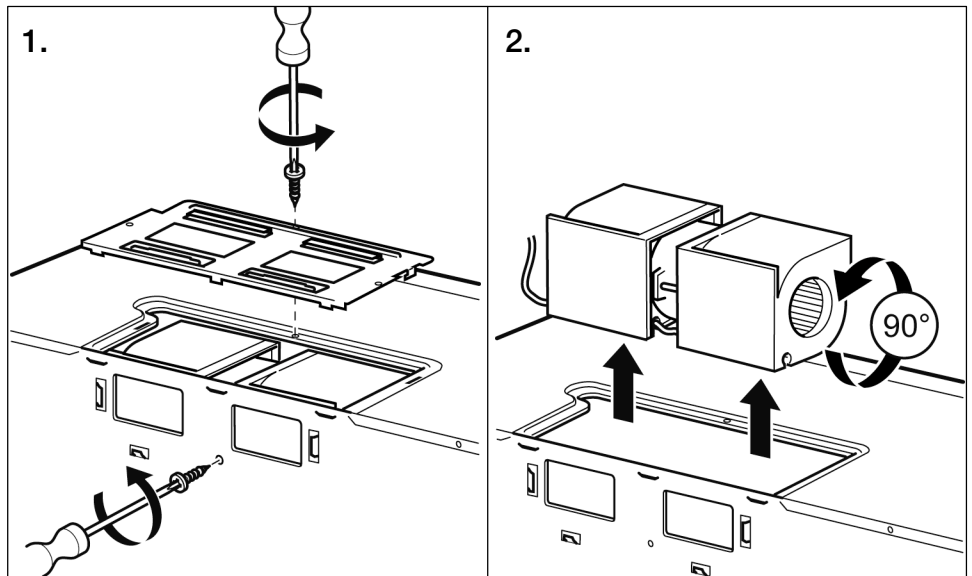
Note: If the cabinet is metal, use the nylon grommet around the opening to protect the cord.



6. Cut out the shaded area "E" using a saber or keyhole saw.

Adapting microwave blower

1. Remove and save the screws holding the blower motor and the blower plate. Lift up the blower plate and put it aside.
2. Carefully pull out the blower unit and rotate 90° so that fan blade openings are facing out the top of the microwave

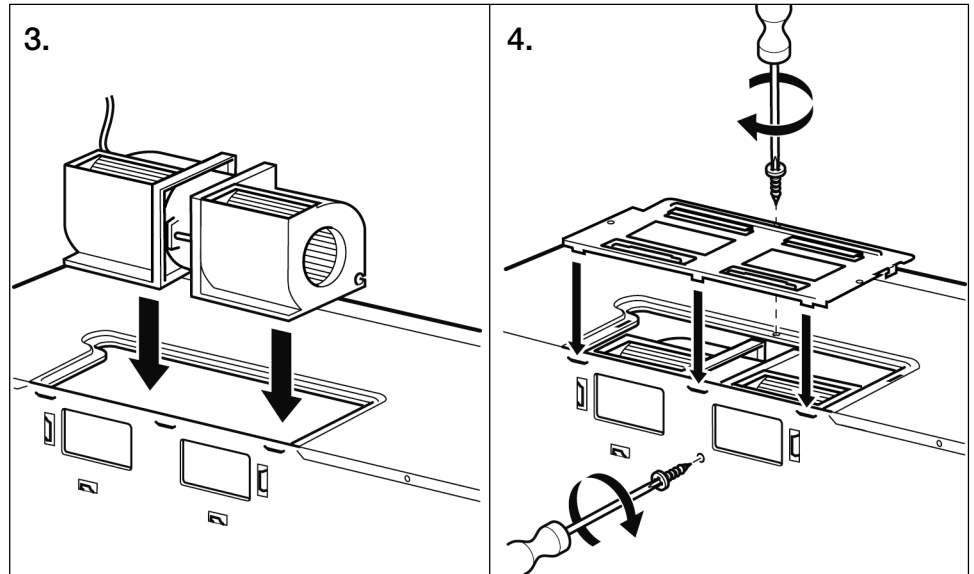


3. Place the blower unit back into the opening.



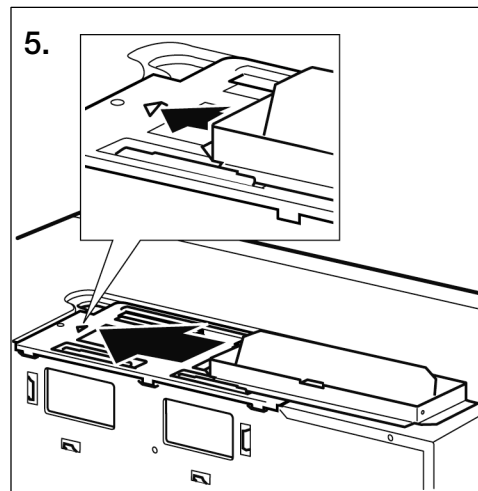
CAUTION: Do not pull or stretch the blower unit wiring. Make sure the wires are not pinched, and that they are properly secured.

4. Replace the blower plate and secure with the screws removed in step 1.



5. Attach the exhaust adapter to the top of the blower plate by sliding it into the guides. Push in securely until it is in the locking tabs.

Make sure the damper hinge swings freely.

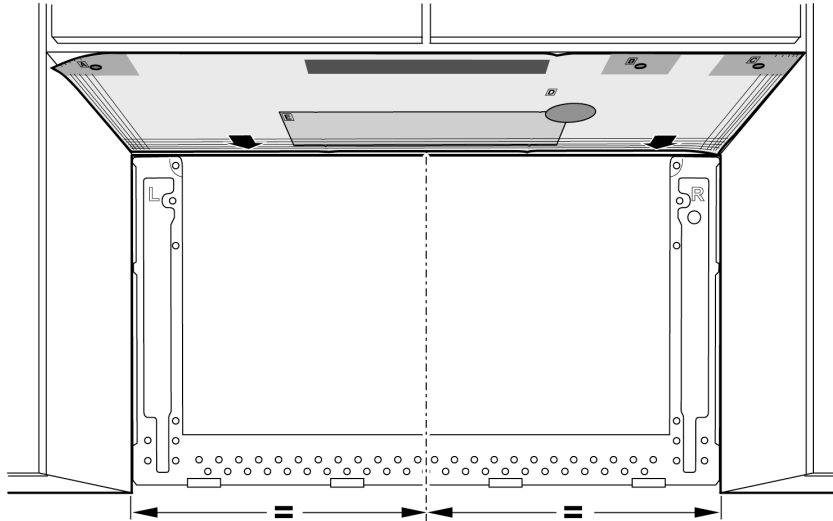


Proceed on page 27.

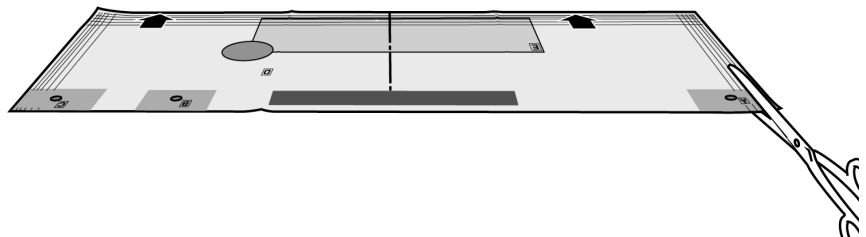
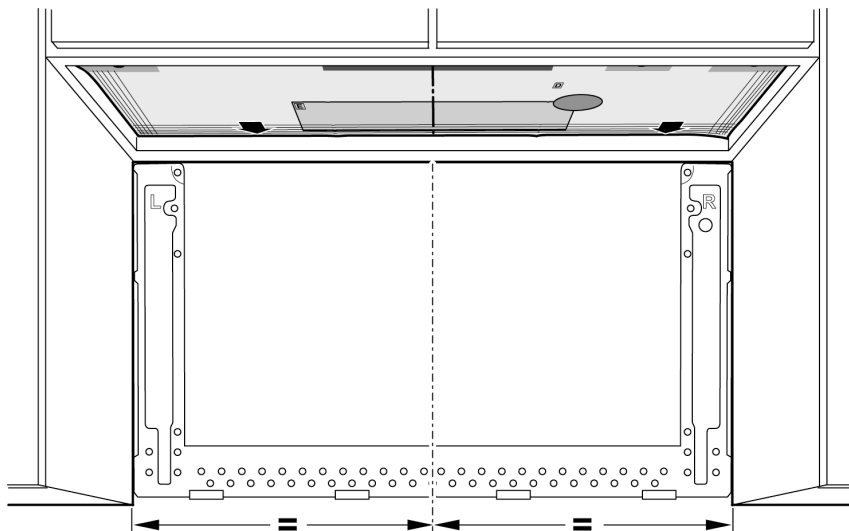
Wall venting

Prepare upper cabinet

1. Remove power to outlet.
2. Remove all contents from upper cabinet.
3. Tape the **TOP CABINET TEMPLATE** onto the bottom surface. Make sure the template centerline aligns with the vertical line on the wall. Rear wall arrows must be against rear wall.



Note: For recessed cabinet bottom, trim the template edges so that it fits inside the recessed area. The template has trim lines to use as guides.



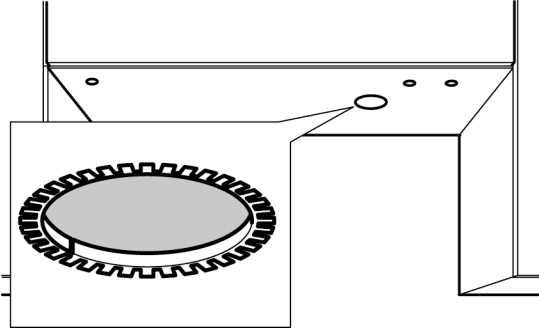
4. Drill $\frac{3}{8}$ " (9,5 mm) holes at "A", "B" and "C"



CAUTION: Wear safety goggles when drilling holes in the cabinet bottom.

5. Cut out the 2" (50,8 mm) hole at "D". This hole is for the power supply cord.

Note: If the cabinet is metal, use the nylon grommet around the opening to protect the cord.



Prepare rear wall

For wall venting installation you need to cut out an opening on the rear wall.

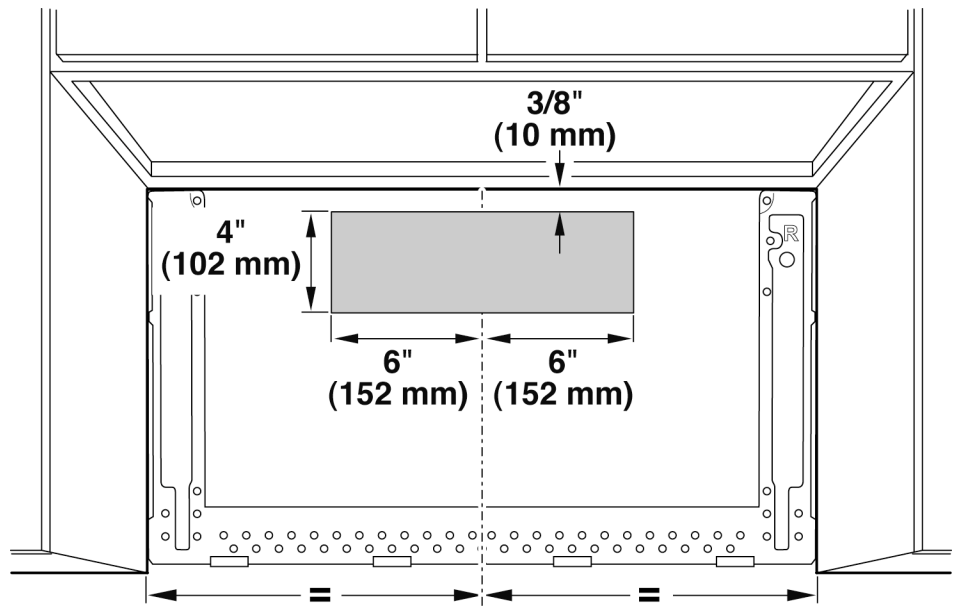


CAUTION: If exhaust adaptor is positioned outside consider recommended dimensions, otherwise grease-laden air will discharge into house structure.

1. Mark the centerline (See Attaching the mounting plate to the wall) $\frac{3}{8}$ " (10 mm) down from the top of the mounting plate.
2. Using measuring tape, measure out 6" (152 mm) on both sides of the centerline, and mark.
3. Measure down 4" (102 mm) from the mark made in Step 1, and mark.
4. Using a straight edge, draw the 2 horizontal level lines through the marks made in Steps 1 and 3.
5. Draw the 2 vertical plumb lines down from the marks made in Step 2. to complete the 12" x 4" (304 x 102 mm) rectangle. This is the venting cutout area.

The 12" x 4" (305 x 102 mm) cutout area must align with the wall damper vent (where the damper assembly will be installed) on the back of the microwave oven.

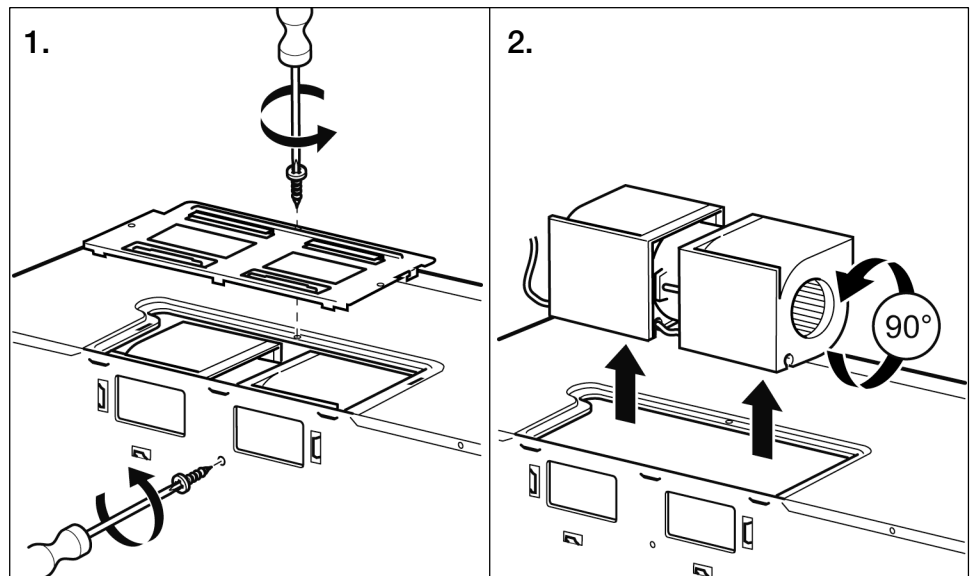
Note: Cutout must be free of any obstructions so that the vent fits properly, and the damper hinge opens fully and swings freely.



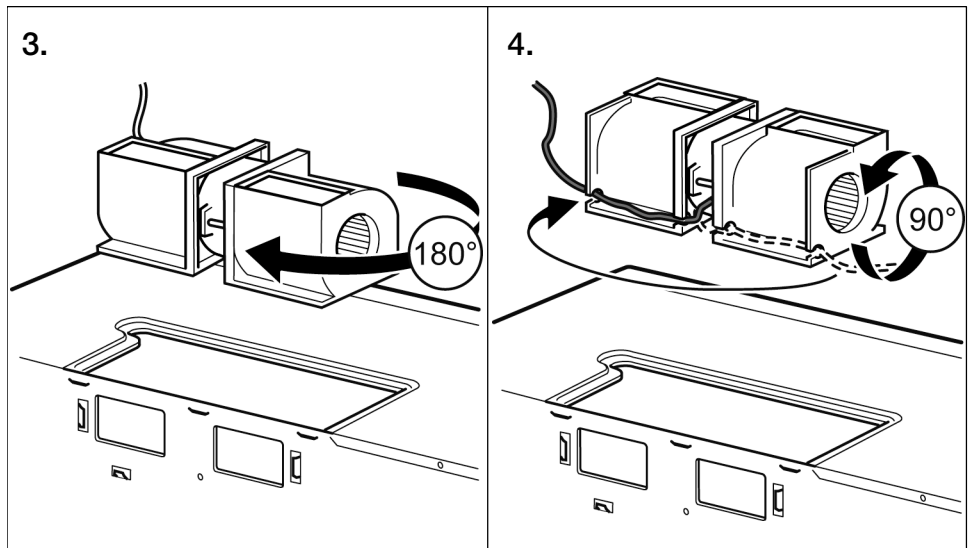
6. Using a saber or keyhole saw, cut out this area through the rear wall.

Adapting microwave blower

1. Remove and save the screws holding the blower motor and the blower plate. Lift up the blower plate and put it aside.
2. Carefully pull out the blower unit and rotate 90° so that fan blade openings are facing out the top of the microwave

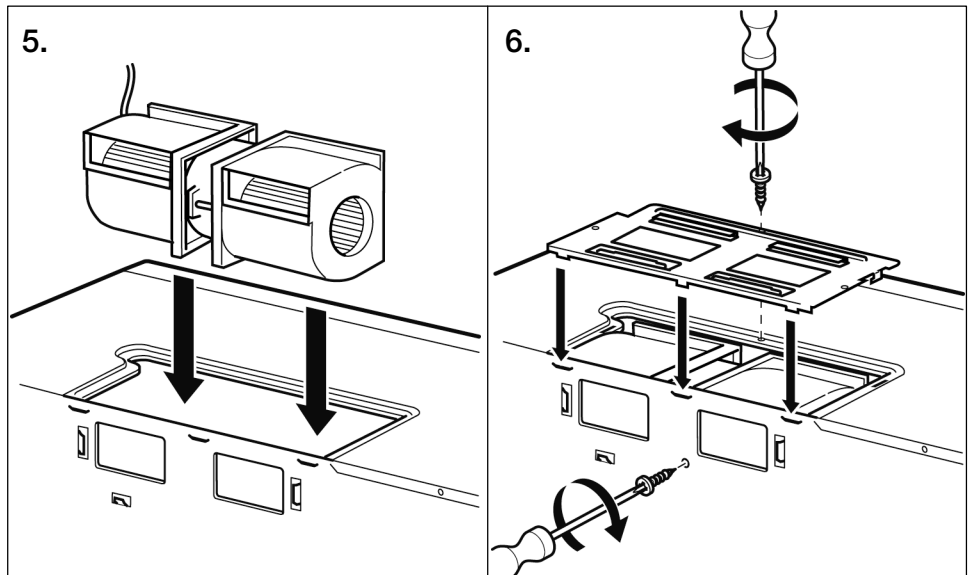


3. Rotate the blower unit counterclockwise 180°.
4. Gently remove the wires from the grooves. Reroute the wires through the grooves on other side of the blower unit. Rotate blower unit 90° so that fan blade openings are facing out the back of the microwave.



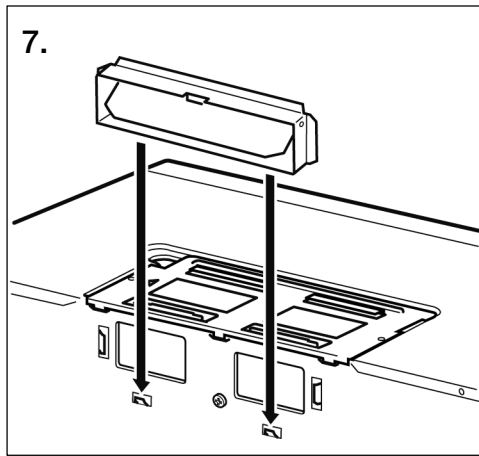
CAUTION: Do not pull or stretch the blower unit wiring. Make sure the wires are not pinched, and that they are properly secured.

5. Place the blower unit back into the opening.
6. Replace the blower plate and secure with the screws removed in Step 1.



7. Attach the exhaust adapter to the rear of the oven by sliding it into the guides. Push in securely until it is in the lower locking tabs.

Make sure the damper hinge swings freely.

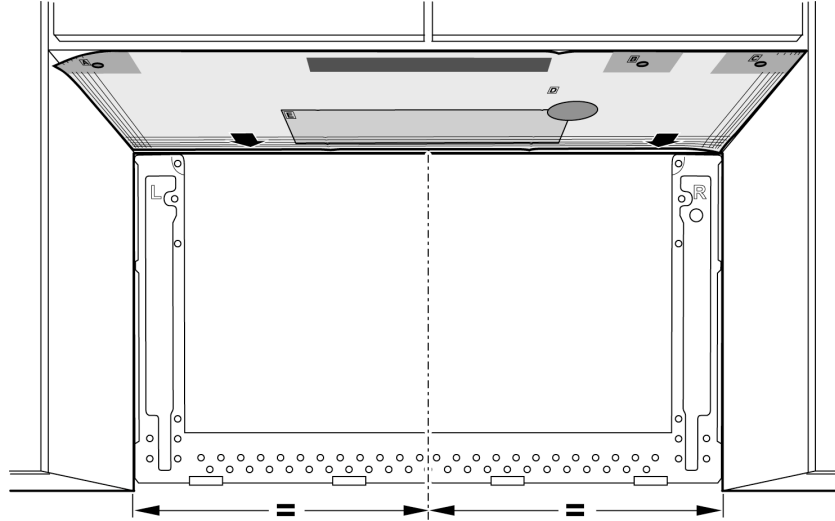


Proceed on page 27.

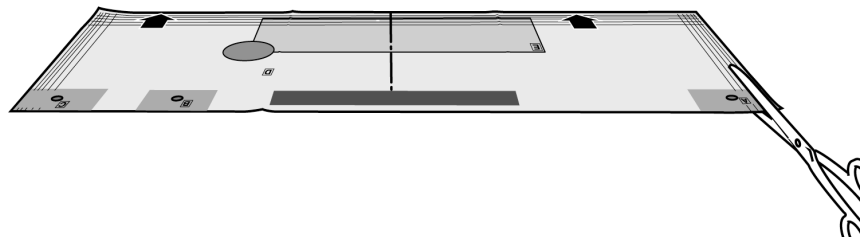
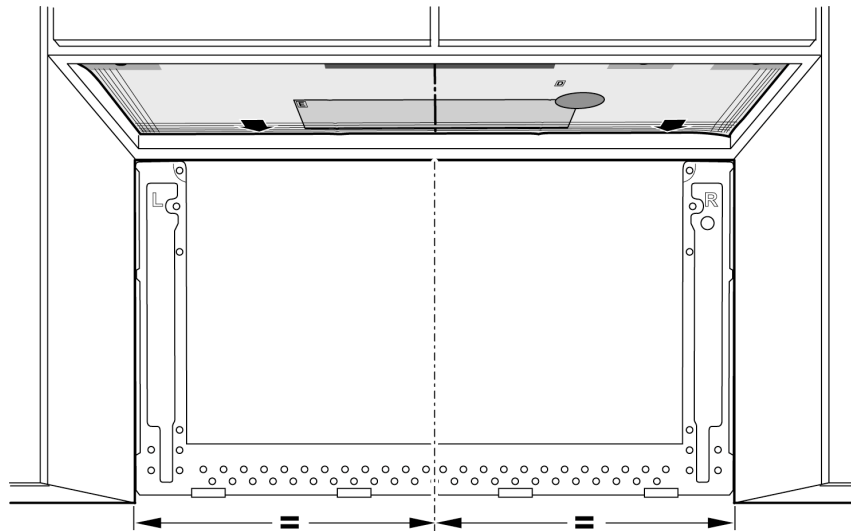
Room venting

Prepare upper cabinet

1. Remove power to outlet.
2. Remove all contents from upper cabinet.
3. Tape the **TOP CABINET TEMPLATE** onto the bottom surface. Make sure the template centerline aligns with the vertical line on the wall. Rear wall arrows must be against rear wall.



Note: For recessed cabinet bottom, trim the template edges so that it fits inside the recessed area. The template has trim lines to use as guides.



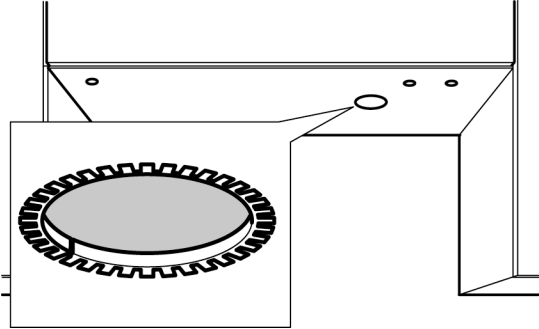
4. Drill $\frac{3}{8}$ " (9,5 mm) holes at "A", "B" and "C"



CAUTION: Wear safety goggles when drilling holes in the cabinet bottom.

5. Cut out the 2" (50,8 mm) hole at "D". This hole is for the power supply cord.

Note: If the cabinet is metal, use the nylon grommet around the opening to protect the cord.



Adapting microwave blower

This microwave is shipped assembled for **Room Venting Installation**. The blower unit is already in place and must not to be adapted.

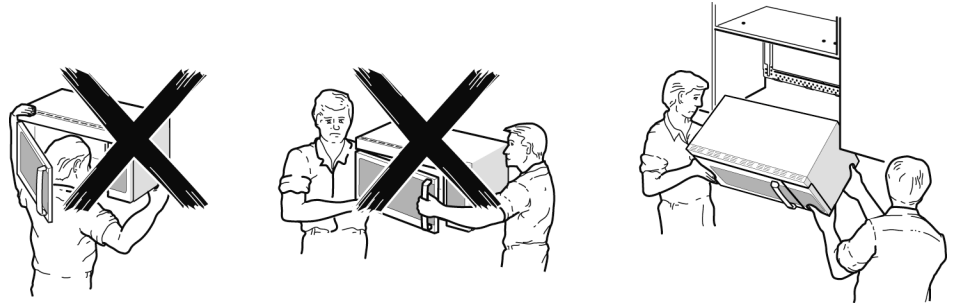
Proceed on page 27.

Mounting the microwave oven

Note: If the bottom of the upper cabinet is recessed or has front overhang, you will need to prepare 2" x 2" (51 mm x 51 mm – depth equivalent to cabinet recess or overhang) filler blocks to provide additional support for the bolts:

- mark the center of each filler block and drill a $\frac{3}{8}$ (9,5 mm) diameter hole
- align filler blocks over the three openings on top of the microwave oven and attach with masking tape (see Figure 1)

Note: Use at least two people to install the microwave oven. Do not grip or use handle during the installation.



Note: When mounting the microwave oven, thread power cord through hole in bottom of top cabinet. Keep the cord tight and do not pinch it, especially when mounting flush to bottom of cabinet. Do not pull the cord to lift the oven.

1. Lift the microwave, tilt it forward, and hook slots at back bottom edge onto four lower tabs of the mounting plate.
2. Rotate the front of the oven up against cabinet bottom.

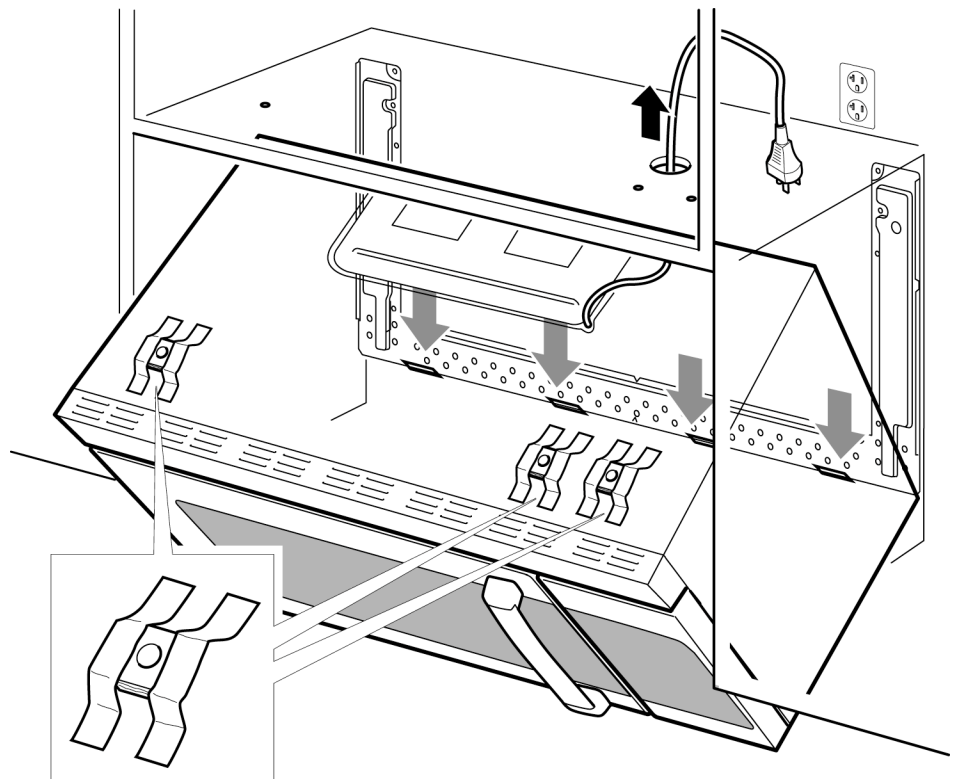
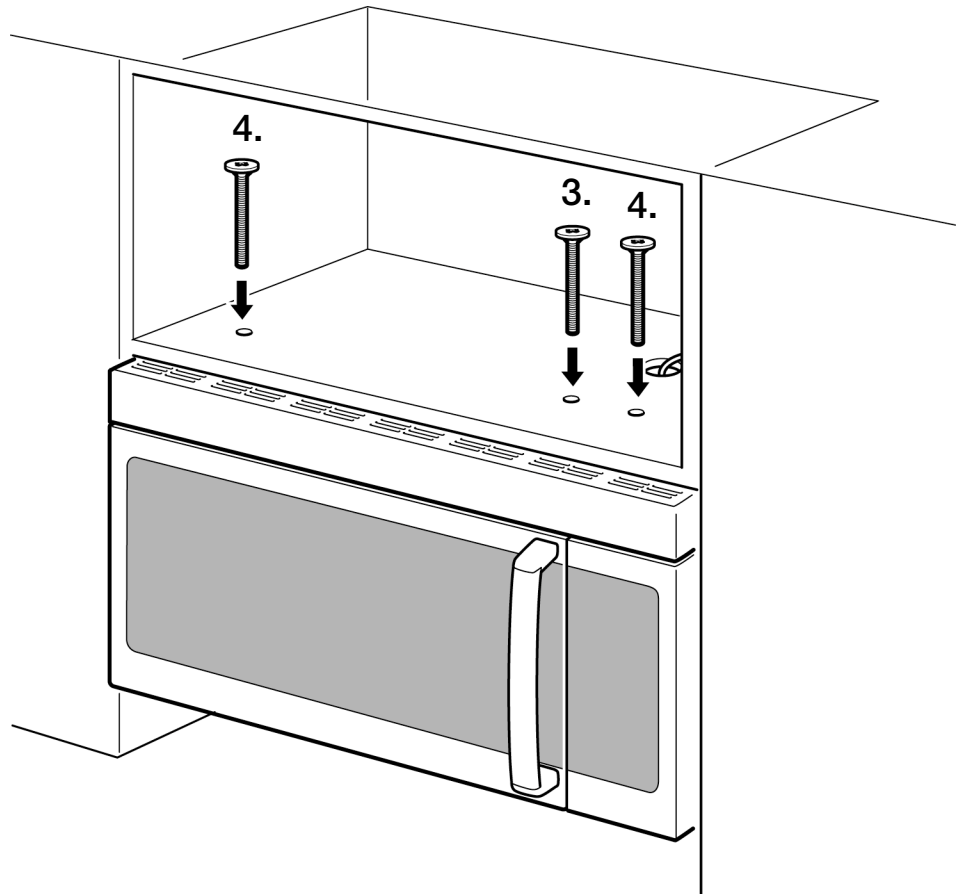


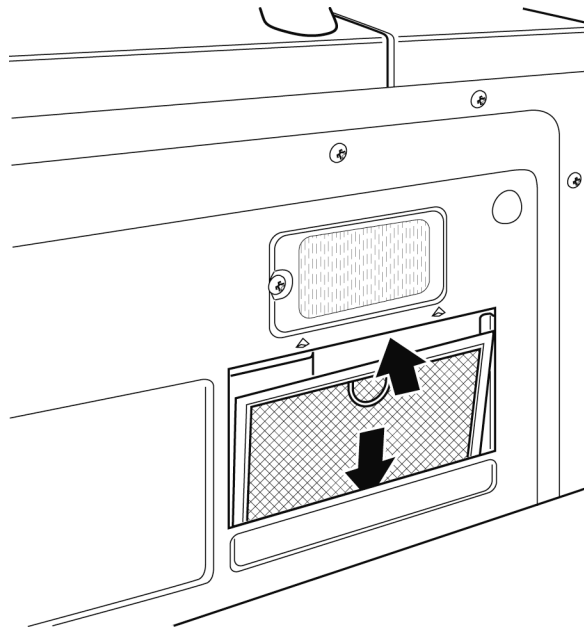
Figure 1

3. Insert a self-aligning screw through top center cabinet hole. Temporarily secure the oven by turning the screw at least **two full turns** after the threads have engaged.

4. Insert the two remaining self-aligning screws through outer top cabinet holes. Turn **two full turns** on each screw.



5. Tighten center screw completely.
 6. Tighten the outer two screws completely to the top of the microwave oven.
- Note:** While tightening screws, hold the microwave oven in place against the wall and the top cabinet
7. Install grease filters by sliding them into the side slots, then pushing up and toward oven to lock.



Hood exhaust

When venting exhaust to the outside, hood exhaust ducts will be required. Read the following carefully.

Note: It is important that venting be installed using the most direct route and with as few elbows as possible. This ensures clear venting of exhaust and helps prevent blockages. Also, make sure dampers swing freely and nothing is blocking the ducts.

Exhaust connection



The hood exhaust has been designed to mate with a standard 3¼" x 10" (82 x 254 mm) rectangular duct. If a round duct is required, a rectangular-to-round transition adaptor must be used. **Do not use less than a 6" (152 mm) diameter duct.**



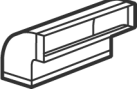
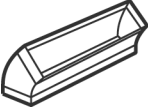
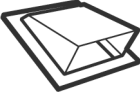

Maximum Duct Length

For satisfactory air movement, the total duct length of 3¼" x 10" (82 x 254 mm) rectangular or 6" (152 mm) diameter round **should not exceed 120 equivalent feet (36,5 m).**

Elbows, transitions, wall and roof caps etc.

cause additional resistance to airflow and are equivalent to a section of straight duct which is longer than their actual physical size. When calculating the total duct length, add the equivalent lengths of all transitions and adaptors plus the length of all straight duct sections. The chart below shows you how to calculate total equivalent ductwork length using the approximate feet of equivalent length of some typical ducts:

Duct Pieces	Equivalent Length	x	Number used	=	Equivalent Length
 Rectangular-to-Round Transition Adaptor*	5 ft (1,5 m)	x	()	=	ft or m
 Wall Cap	40 ft (12,2 m)	x	()	=	ft or m

Duct Pieces		Equivalent Length	x	Number used	=	Equivalent Length
	90° Elbow	10 ft (3 m)	x	()	=	ft or m
	45° Elbow	5 ft (1,5 m)	x	()	=	ft or m
	90° Elbow	25 ft (7,6 m)	x	()	=	ft or m
	45° Elbow	5 ft (1,5 m)	x	()	=	ft or m
	Roof Cap	24 ft (7,3 m)	x	()	=	ft or m
	Straight Duct 6" (152 mm) Round or 3¼" x 10" (82 x 254 mm) Rectangular	1 ft (0,3 m)	x	()	=	ft or m
Total Ductwork					=	ft or m

* If a rectangular-to-round transition adapter is used, first make sure the damper hinge of the microwave swings freely. If necessary, cut the damper to fit, using the tin snips, in order to allow free movement.

Equivalent lengths of duct pieces are based on actual tests and reflect requirements for good venting performance with any vent hood.

Service

Contact our Service department if your appliance needs repair. Our central Customer Service Center (see below) will also be happy to supply you with details on a center close to you.

When you contact our customer service, please have the E number and the FD number for your appliance available.

You can find the identification plate with these numbers on the inside of the appliance.

Questions? Please contact us. We look forward to hearing from you!

1-800-944-2904
www.boschappliances.com
 5551 McFadden Ave.
 Huntington Beach, CA 92649

Contenido

Seguridad	32
Instrucciones de seguridad importantes	32
Antes de empezar	35
Requisitos de ubicación	36
Procedimiento de instalación	37
Cómo retirar la placa de montaje	37
Cómo encontrar los montantes de pared	38
Posibles configuraciones de los montantes de pared	38
Cómo colocar la placa de montaje en la pared	40
Tipos de instalación	44
Ventilación de techo	45
Ventilación de pared	48
Ventilación de ambiente	53
Cómo montar el horno de microondas	55
Escape de campana	57
Servicio técnico	59

Seguridad



Instrucciones de seguridad importantes

LEA Y GUARDE ESTAS INSTRUCCIONES

Importante

CONSERVE ESTAS INSTRUCCIONES PARA USO DEL INSPECTOR DE ELECTRICIDAD LOCAL.

DEJE ESTAS INSTRUCCIONES CON EL ELECTRODOMÉSTICO CUANDO HAYA FINALIZADO LA INSTALACIÓN.



AVISO: Si no sigue la información de este manual exactamente, se puede ocasionar un incendio o una descarga eléctrica que puede causar daños materiales o lesiones personales.

Examine su horno

Desembale el horno, retire toda la cinta y el material de embalaje, y examine el horno para asegurarse de que no tenga daños tales como abolladuras, trabas de la puerta rotas ni rajaduras en la puerta. Si se encuentra dañado, notifique al distribuidor de inmediato. No instale el horno si se encuentra dañado.

Destruya el embalaje después de desembalar el electrodoméstico. Nunca deje que los niños jueguen con el material de embalaje.

Seguridad con el manejo del electrodoméstico

La unidad es pesada, y se requieren, al menos, dos personas o un equipo adecuado para trasladarla.

Las superficies ocultas pueden tener bordes filosos. Proceda con cuidado al intentar tomar el electrodoméstico por la parte trasera o desde abajo.

Uso previsto



ATTENCION: Solamente para uso general de ventilación. No use el producto para extraer materiales ni vapores peligrosos o explosivos.

Instrucciones para la conexión a tierra Este electrodoméstico debe estar correctamente conectado a tierra. La conexión a tierra reduce el riesgo de descarga eléctrica proporcionando un cable de escape para la corriente eléctrica si se produce un cortocircuito eléctrico. Este horno viene equipado con un cable con un hilo de conexión a tierra y un enchufe para conexión a tierra. El enchufe debe colocarse en una toma de corriente que esté correctamente instalada y conectada a tierra.



AVISO: El uso inadecuado de la conexión a tierra puede tener como consecuencia una descarga eléctrica.

Consulte a un electricista o a un centro de servicio técnico calificado si no comprende la totalidad de las instrucciones de conexión a tierra o si tiene alguna duda respecto de si el horno está correctamente conectado a tierra.



Instrucciones de seguridad importantes

LEA Y GUARDE ESTAS INSTRUCCIONES

No use un cable de extensión. Si el cable de alimentación del producto es demasiado corto, haga que un electricista calificado instale un receptáculo de tres ranuras. Este horno debe enchufarse en un circuito de 60 hertz por separado, con la capacidad eléctrica nominal que se muestra en la tabla de especificaciones. Cuando el horno está en un circuito con otro equipo, es posible que se requiera un aumento en los tiempos de cocción y que los fusibles se quemen.

El horno de microondas funciona con la corriente doméstica estándar, 110-120 V.

Requisitos eléctricos

- una toma de corriente conectada a tierra de tres espigas
- 120 V, 60 Hz, CA únicamente.
- 15 A de suministro eléctrico con un fusible o un disyuntor.
- 1.6 kilovatios

Este producto debe conectarse a un circuito de suministro con el voltaje y la frecuencia adecuados. El tamaño del cable debe cumplir con los requisitos del Código Eléctrico Nacional o con el código local aplicable para esta capacidad nominal. El cable de alimentación eléctrica y el enchufe deben llevarse a una toma de corriente conectada a tierra individual de circuito derivado de 15 a 20 A por separado. La caja de la toma de corriente debe estar ubicada en el gabinete por encima del horno de microondas. La caja de la toma de corriente y el circuito de suministro deben ser instalados por un electricista calificado y de conformidad con el Código Eléctrico Nacional o con el código local aplicable.

El voltaje usado debe ser el mismo que el especificado en este horno de microondas. Usar un voltaje mayor es peligroso y puede provocar un incendio o daños al horno. Usar un voltaje menor hará que los alimentos se cocinen lentamente. El distribuidor no es responsable de ningún daño que se produzca por el uso del horno con un voltaje que no sea el especificado.

Requisitos de ubicación

Verifique la abertura donde se instalará el horno de microondas. La ubicación debe brindar:

- Dimensiones mínimas para la instalación (Consulte la ilustración **Dimensiones para la instalación**)
- Como mínimo, un montante de madera para pared de 2" x 4" (50.8 x 101.6 mm) y, como mínimo, un panel de yeso o yeso/enlucido de 3/8" (9.5 mm) de espesor dentro de la abertura del gabinete.
- Soporte para peso de 150 lb (68 kg), que incluye el horno de microondas y los artículos colocados en su interior y en el gabinete superior.
- Toma de corriente eléctrica con conexión a tierra dentro del gabinete superior. (Consulte la sección **Requisitos eléctricos**).

Notas:

- Si instala el horno de microondas cerca de una pared izquierda, asegúrese de que haya una distancia de, al menos, 7" (178 mm) entre la pared y el horno de microondas, para que la puerta se pueda abrir completamente.
- Algunos materiales para gabinetes y de construcción no están diseñados para soportar el calor generado por el horno de microondas para cocinar. Hable con su constructor o proveedor de gabinetes para asegurarse de que los materiales utilizados no se decolorarán, deslaminarán ni sufrirán otros daños.



Instrucciones de seguridad importantes

LEA Y GUARDE ESTAS INSTRUCCIONES

Control de la continuidad de la conexión a tierra

El instalador debe realizar un control de la continuidad de la conexión a tierra en la caja de la toma de corriente antes de la instalación para asegurarse de que la caja de la toma de corriente está correctamente conectada a tierra. Si no está correctamente conectada a tierra, o si la caja de la toma de corriente no cumple con los **Requisitos eléctricos**, se debe contratar a un electricista calificado para corregir cualquier deficiencia.

Seguridad con la electricidad



ATTENCION: Por seguridad personal, retire el fusible de su hogar o apague el disyuntor en la caja de fusibles antes de comenzar la instalación para evitar lesiones graves o fatales como consecuencia de una descarga eléctrica. Trabe el disyuntor para impedir que se encienda accidentalmente la alimentación eléctrica.

Asegúrese de que el electrodoméstico sea correctamente instalado y conectado a tierra por un técnico calificado.

El instalador debe mostrar al propietario la ubicación del disyuntor o el fusible. Márquela para recordarla más fácilmente.

En ninguna circunstancia, no corte ni retire la espiga de conexión a tierra. Debe enchufarse en un receptáculo de conexión a tierra compatible para evitar la descarga eléctrica. Si tiene alguna duda respecto de si el receptáculo de pared está correctamente conectado a tierra, el cliente debe solicitar la verificación de un electricista calificado. No use un cable de extensión.

Seguridad de los equipos relacionados



ATTENCION: Por seguridad personal, este producto no puede instalarse en instalaciones de gabinete, como una isla o península. Debe montarse en **un** gabinete superior **y** en una pared.



AVISO: Para reducir el riesgo de incendio, solo utilice conductos de metal.

Seguridad en el servicio técnico y las reparaciones



AVISO: No repare ni cambie ninguna parte del electrodoméstico, a menos que se recomiende específicamente en los manuales. Nunca modifique ni altere la construcción del electrodoméstico. La instalación, el servicio técnico o el mantenimiento incorrectos pueden causar lesiones o daños materiales. Consulte este manual para su orientación. Remita todas las demás reparaciones a un centro de servicio técnico autorizado por la fábrica.

Antes de empezar

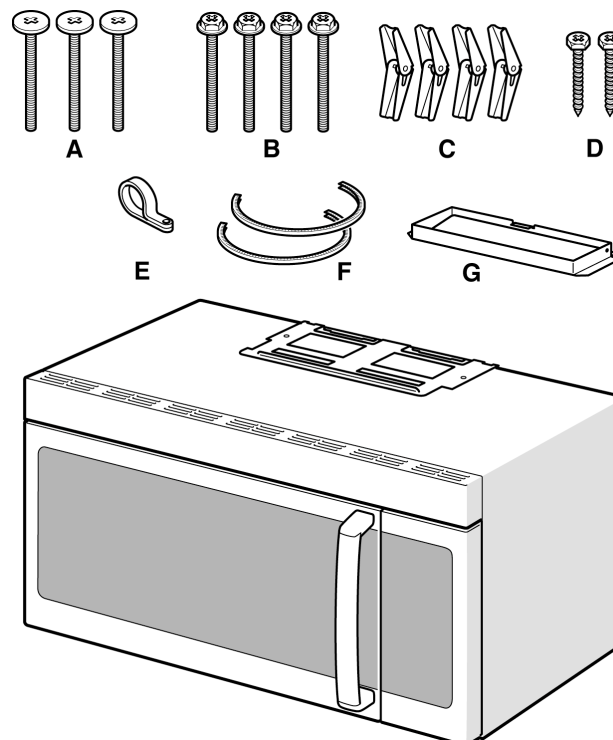
Herramientas y piezas necesarias

- Destornillador Phillips n.º 1
- Lápiz
- Regla o cinta métrica y borde recto
- Taladro con brocas de $\frac{3}{16}$ " (5 mm), $\frac{1}{2}$ " (13 mm) y $\frac{5}{8}$ " (16 mm)
- Guantes
- Sierra (recíproca, caladora o de punta)
- Localizador de montantes o martillo
- Gafas de seguridad
- Nivel
- Cinta para conductos o de enmascarar

opcionales

- Escuadra de carpintero
- Tijeras de hojalatero (para cortar el regulador)
- Tijeras (para cortar la plantilla del gabinete superior)
- Bloques de relleno o recortes de madera (para instalaciones de gabinete inferior empotrado)

Piezas incluidas



Encontrará los elementos de instalación incluidos en el paquete de la unidad. Verifique para asegurarse de que cuente con todas estas piezas:

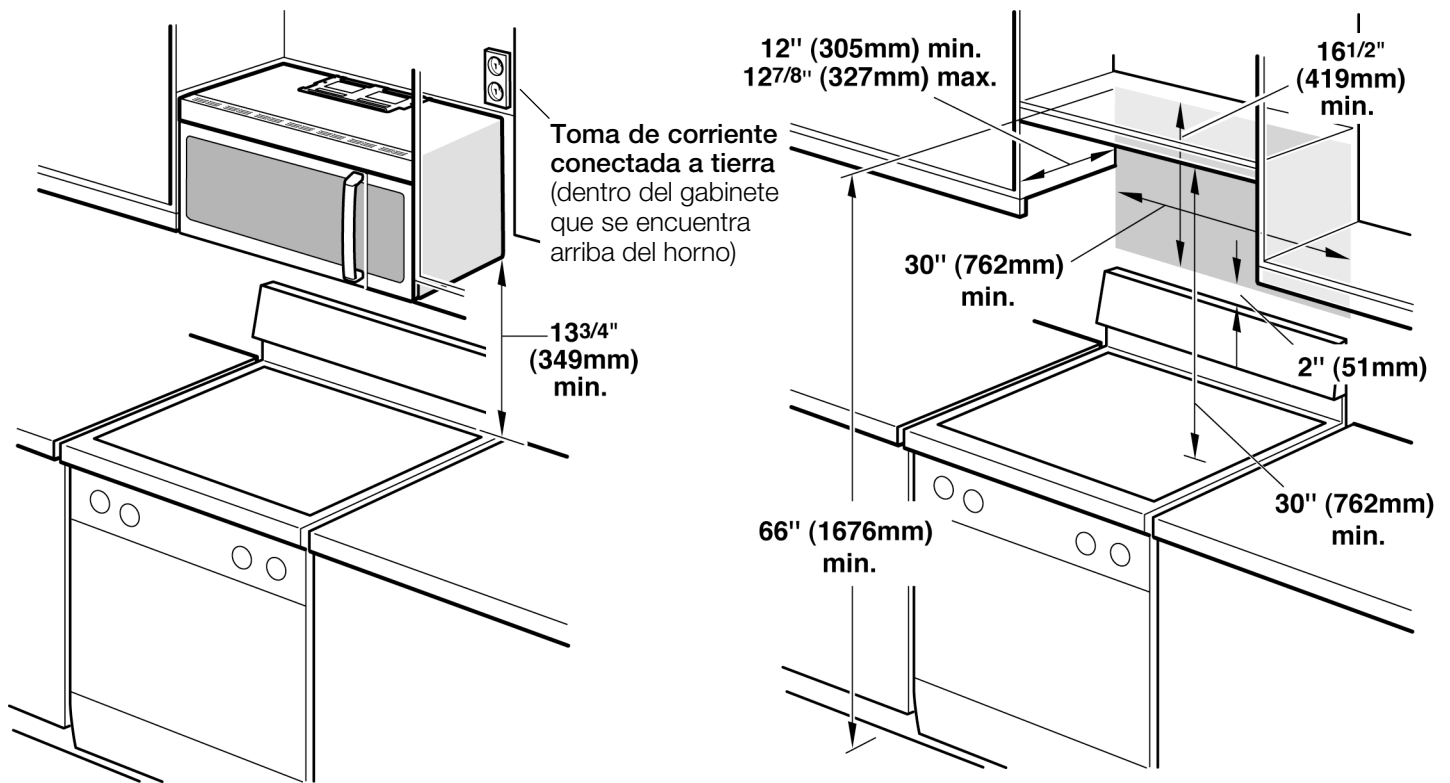
- **A** Tornillos mecanizados autoalineables: ¼"-28 x 3¼" (6-0,9 x 83 mm)
- **B** Pernos articulados: 3/16" x 3" (5 x 76 mm)
- **C** Alas articuladas
- **D** Tornillos para madera: ¼" x 2" (6 x 51 mm)
- **E** Correa del cable de alimentación
- **F** Arandela de nylon (para gabinetes de metal)
- **G** Adaptador del escape

No se muestran:

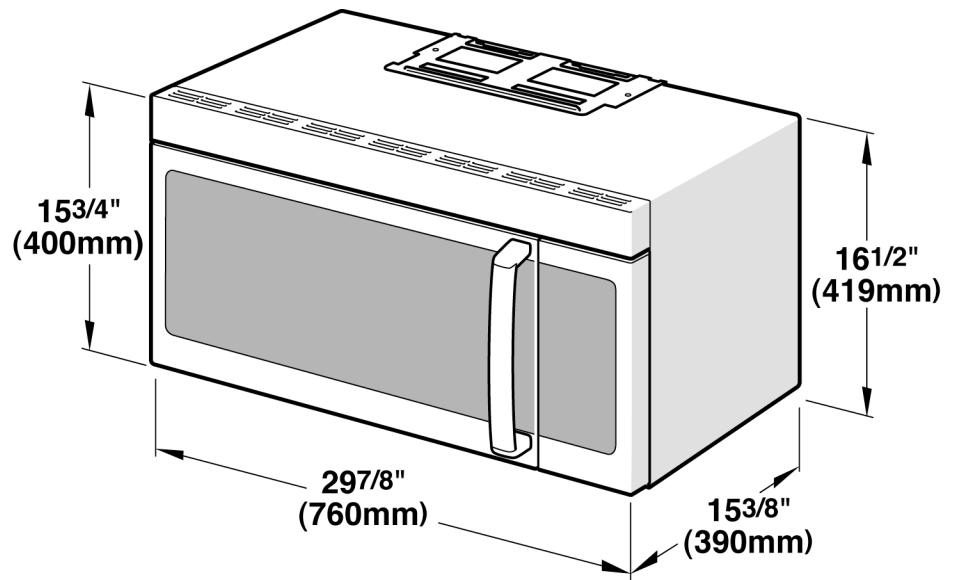
- Plantilla del gabinete superior
- Placa de montaje (sujetar a la parte posterior del horno de microondas)
- Filtros de grasa
- Filtro de carbón (sujeta al horno de microondas)

Requisitos de ubicación

Dimensiones para la instalación



Dimensiones del producto



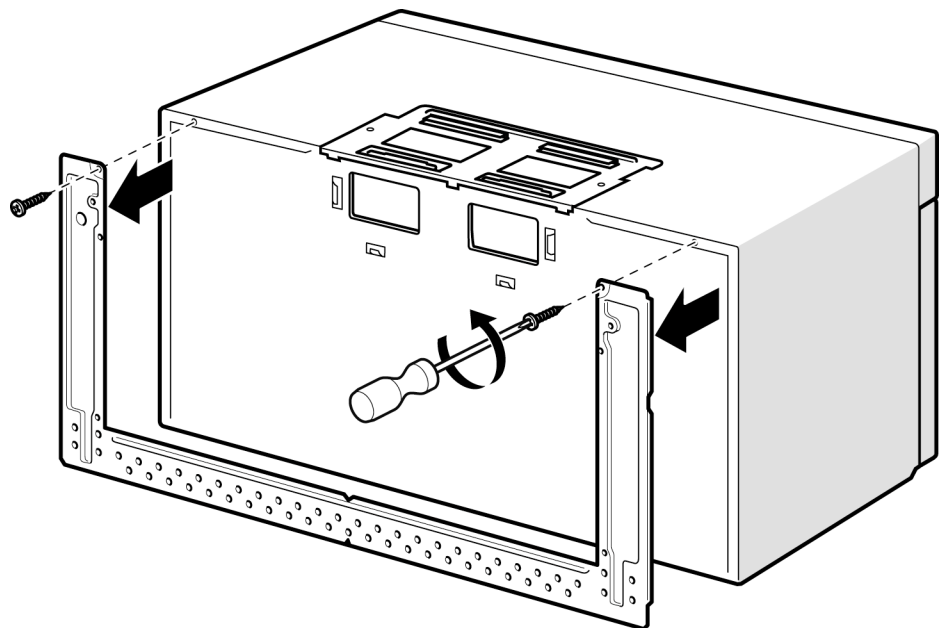
Procedimiento de instalación

Cómo retirar la placa de montaje

Advertencia: Para evitar posibles daños a la superficie de trabajo o a la base del electrodoméstico, cubra la superficie de trabajo.

1. Retire cualquier elemento que haya quedado en la cavidad del horno de microondas.
2. Retire los tornillos de la placa de montaje.

Esta placa se utilizará como plantilla de la pared posterior y para el montaje.



Cómo encontrar los montantes de pared

3. Vuelva a instalar los tornillos en los orificios de donde los retiró.

Advertencia: Para evitar dañar el horno de microondas, no sujete ni use la puerta ni la manija de la puerta mientras está manejando el horno de microondas.

Advertencia: El horno de microondas debe conectarse, al menos, a un montante de pared. Si no hay montantes de pared en la abertura del gabinete, no instale el horno de microondas.

1. Ubique los bordes de los montantes de pared dentro del gabinete usando:

- un localizador de montantes o
- un martillo (dando golpecitos suaves en toda la superficie de montaje hasta escuchar un sonido de haber golpeado algo sólido).

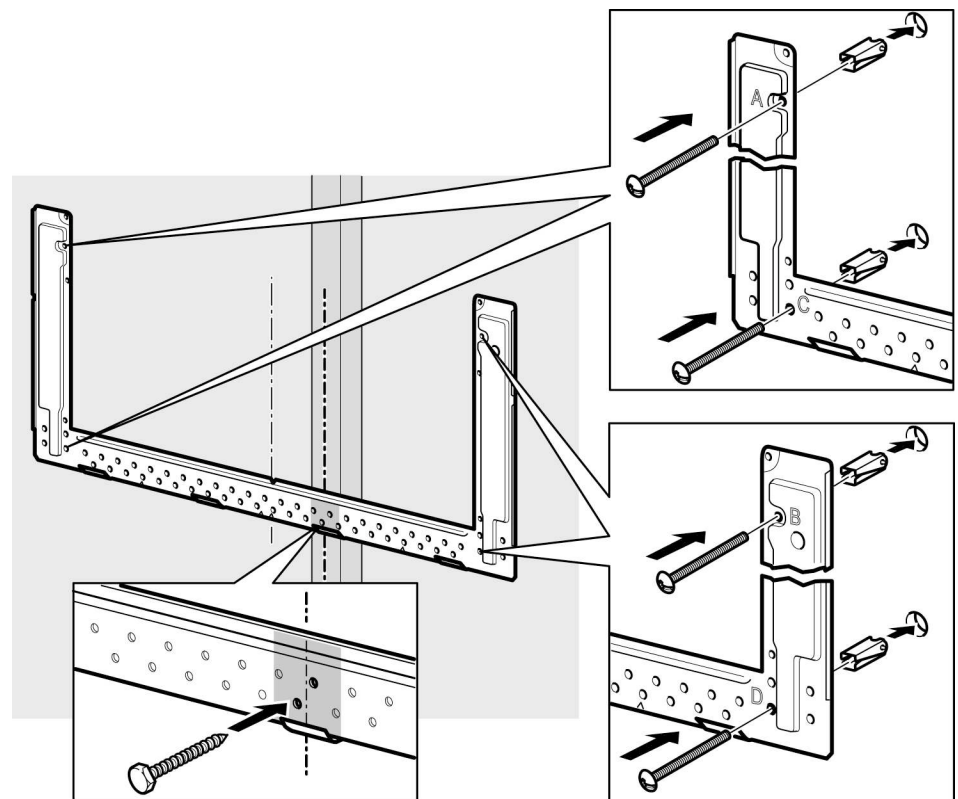
2. Coloque una marca a mitad de camino entre los bordes y trace una línea hacia el centro de los montantes (Consulte las posibles configuraciones de los montantes de pared).

Posibles configuraciones de los montantes de pared

Estas representaciones muestran ejemplos de las configuraciones preferidas de instalación con la placa de montaje.

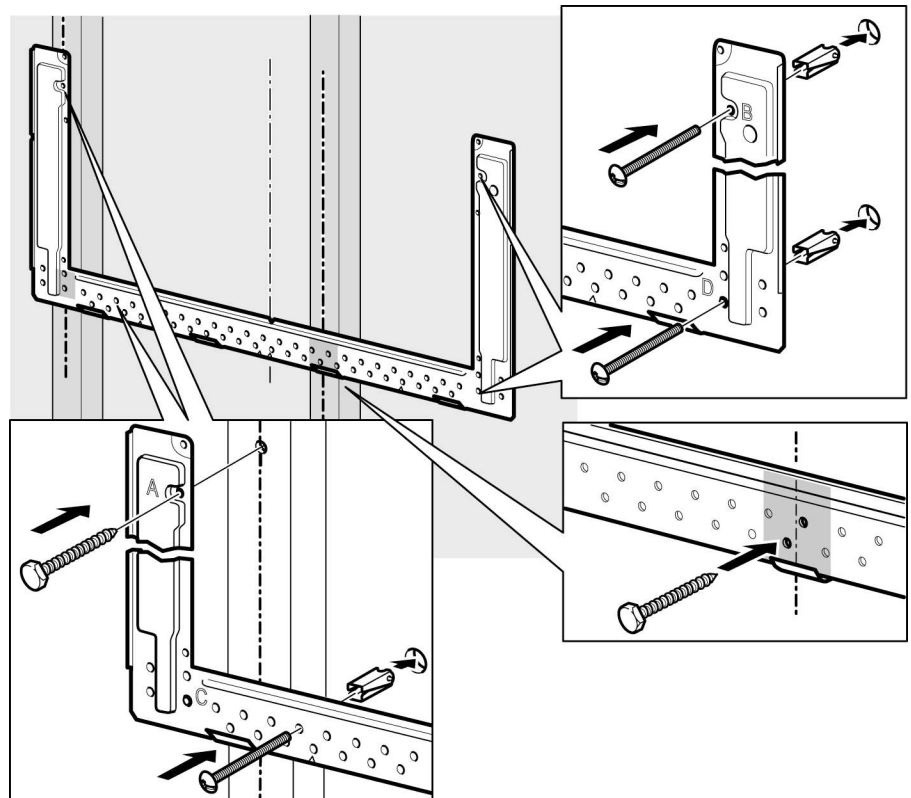
Advertencia: Se debe tener cuidado al perforar orificios. Los cables eléctricos pueden estar empotrados en el del revestimiento de pared y el contacto con ellos puede ocasionar una descarga eléctrica.

Sin montantes de pared en los orificios de las esquinas

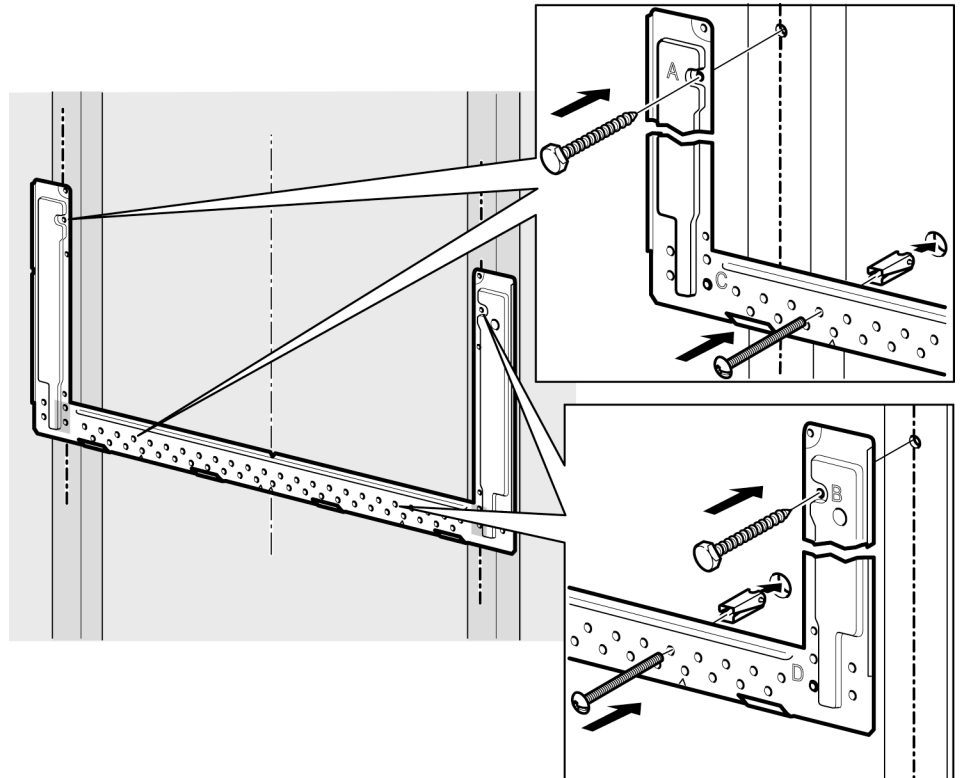


Advertencia: Si el montante de pared se encuentra a una distancia de $6\frac{1}{4}$ " (159 mm) de la línea central vertical, sólo se puede realizar una instalación con ventilación de ambiente (recirculación) o ventilación de techo.

Montante de pared en uno de los orificios de las esquinas



Montantes de pared en ambos orificios de las esquinas



Cómo colocar la placa de montaje en la pared

Cómo alinear la placa de montaje



ATTENCION: Use guantes para evitar cortarse los dedos con los bordes filosos.

Advertencia: Asegúrese de que la base del gabinete esté nivelada.

1. Trace una línea vertical en la pared, en el centro del espacio del gabinete.
2. Use la placa de montaje como **plantilla**, colóquela en la pared y asegúrese de que las lengüetas toquen la base del gabinete (Figura 1) o la línea de nivel (Figura 2).
3. Alinee la muesca y la línea central de la placa de montaje con la línea central de la pared.
4. Sujetando la placa de montaje, trace círculos en la pared, en los orificios **A**, **B**, **C** y **D**.

Advertencia: Si el orificio A, B, C o D no toca ningún montante, ubique un montante en algún lugar de la base de la placa de montaje y trace un quinto círculo para alinearlos con el montante.

Es importante usar, al menos, un tornillo para madera montado firmemente en un montante para que soporte el peso del horno de microondas.

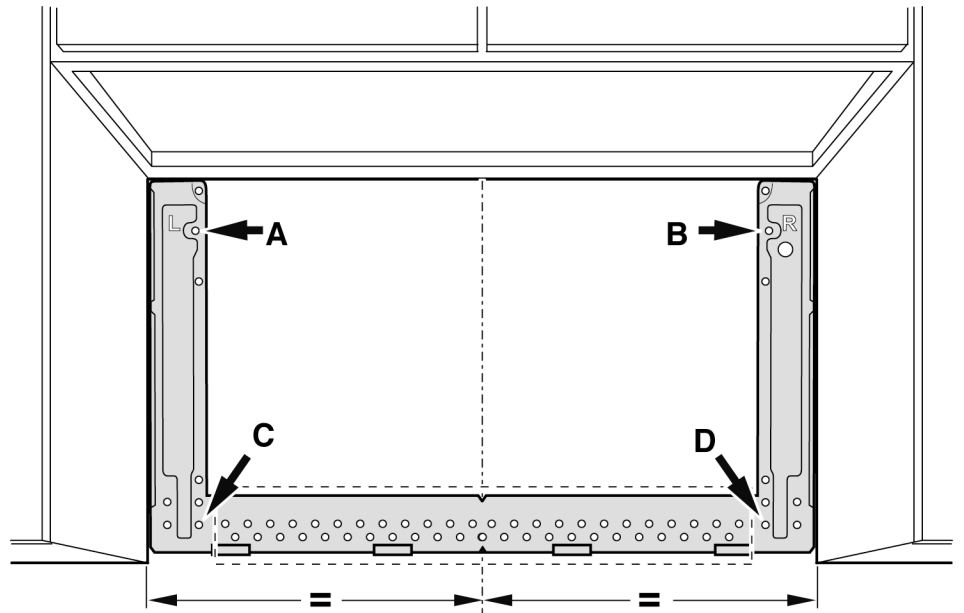


Figura 1 - Gabinete inferior empotrado plano o con marco

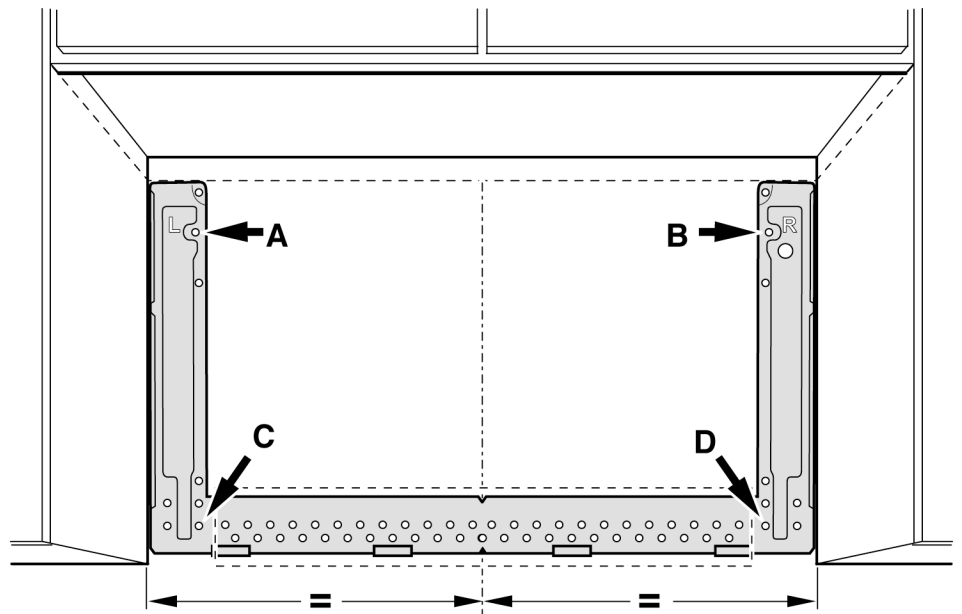


Figura 2 - Gabinete inferior empotrado con saliente frontal

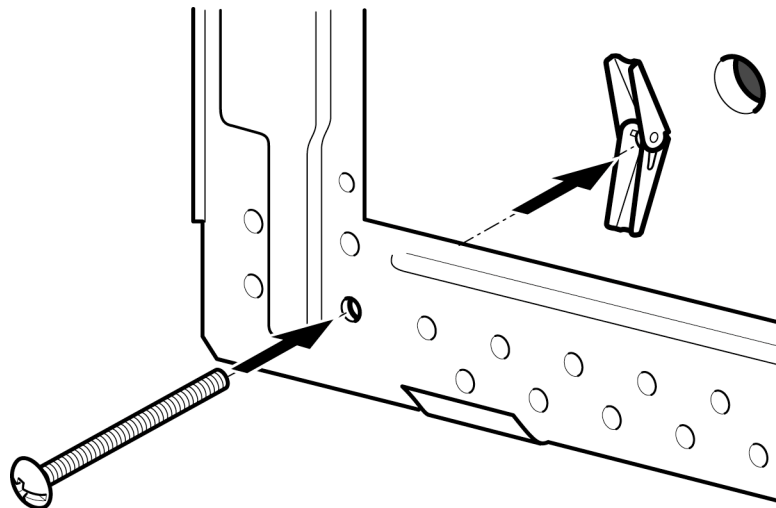
5. Deje la placa de montaje a un costado

6. Perfore orificios en los círculos:

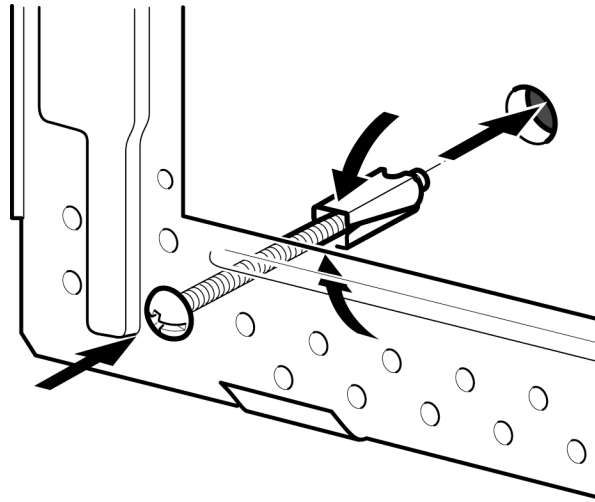
- orificios de 3/16" (5 mm) para tornillos para madera (con montante)
- orificios de 5/8" (16 mm) para pernos articulados (sin montante)

**Cómo colocar la placa de montaje
(sin montantes de pared en los orificios de las esquinas)**

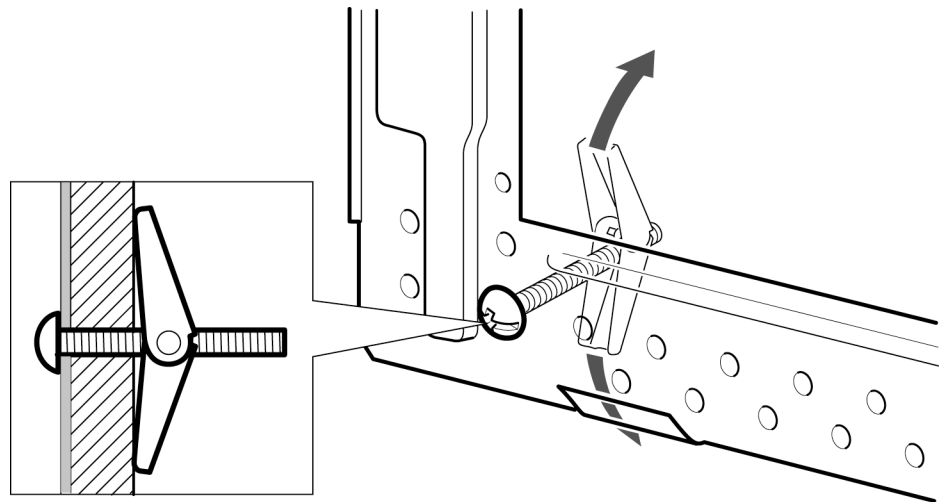
1. Inserte los pernos en la placa de montaje por los orificios designados.



2. Una las alas articuladas a cada perno desde la parte posterior de la placa de montaje. Deje espacio suficiente para que las alas articuladas atraviesen la pared y se abran.



3. Coloque la placa de montaje contra la pared y asegúrese de que las lengüetas toquen la base del gabinete o la línea de nivel (consulte “Cómo alinear la placa de montaje”).
4. Empuje los pernos a través del panel de yeso y apriételos con la mano para asegurarse de que las tuercas articuladas se hayan abierto contra el panel de yeso.



5. Verifique que la placa esté correctamente centrada, y asegúrese de que esté nivelada.
6. Apriete firmemente todos los tornillos, incluido el quinto tornillo para madera en la base de la placa de montaje.

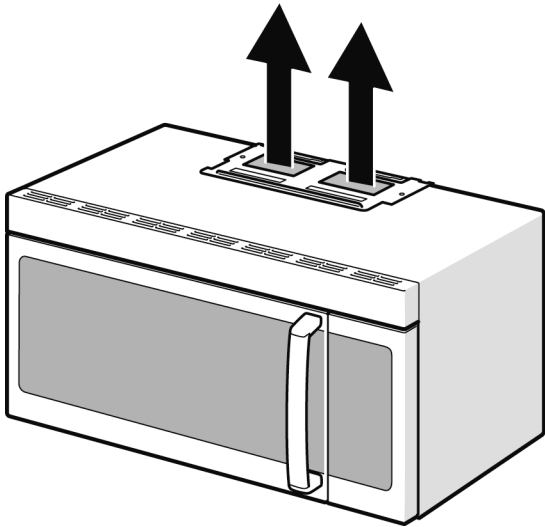
**Cómo colocar la placa de montaje
(Montante de pared en uno de los orificios de las esquinas)**

1. Inserte los pernos y los tornillos para madera en la placa de montaje por los orificios designados.
2. Una las alas articuladas desde la parte posterior de la placa de montaje en cada perno. Deje espacio suficiente para que las alas articuladas atraviesen la pared y se abran.
3. Coloque la placa de montaje contra la pared y asegúrese de que las lengüetas toquen la base del gabinete o la línea de nivel (consulte “Cómo alinear la placa de montaje”).
4. Empuje los pernos a través del panel de yeso y apriételos con la mano para asegurarse de que las alas articuladas se hayan abierto contra el panel de yeso.
5. Verifique que la placa esté correctamente centrada, y asegúrese de que esté nivelada.
6. Apriete firmemente todos los tornillos y los pernos.

**Cómo colocar la placa de montaje
(Montantes de pared en ambos orificios de las esquinas)**

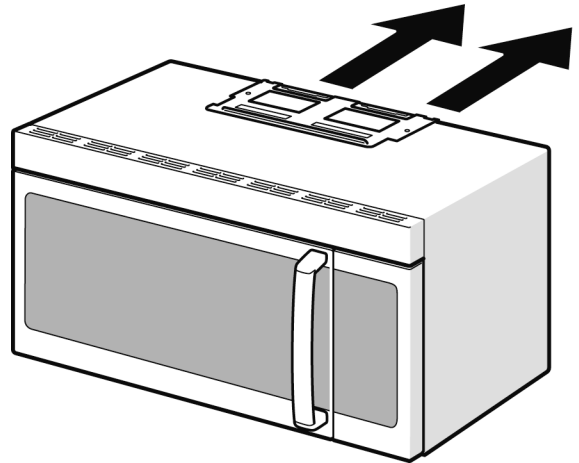
1. Inserte los tornillos para madera en la placa de montaje por los orificios designados.
2. Coloque la placa de montaje contra la pared y asegúrese de que las lengüetas toquen la base del gabinete o la línea de nivel (consulte “Cómo alinear la placa de montaje”).
3. Verifique que la placa esté correctamente centrada, y asegúrese de que esté nivelada.
4. Apriete todos los tornillos firmemente.

Tipos de instalación



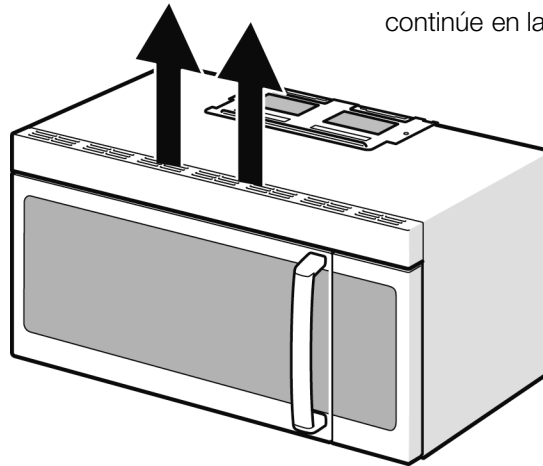
VENTILACIÓN DE TECHO

continúe en la página 45



VENTILACIÓN DE PARED

continúe en la página 48



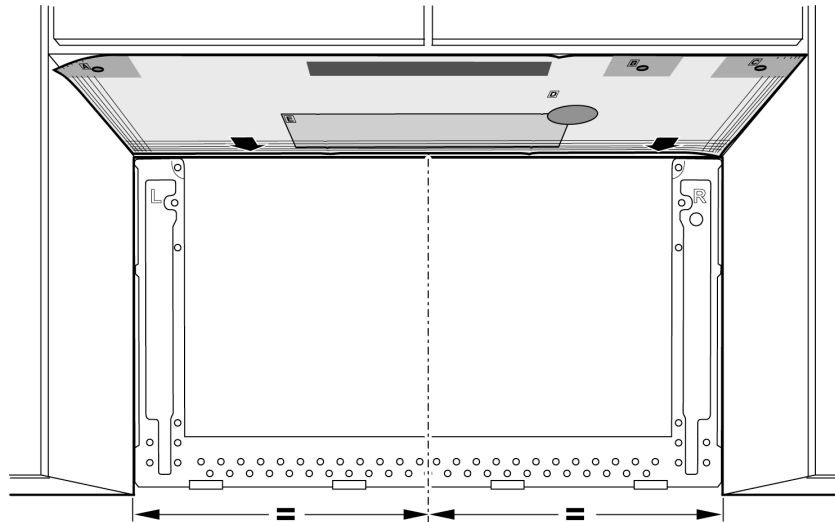
VENTILACIÓN DE AMBIENTE

continúe en la página 53

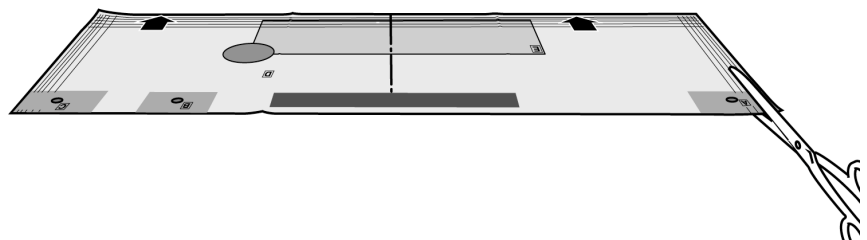
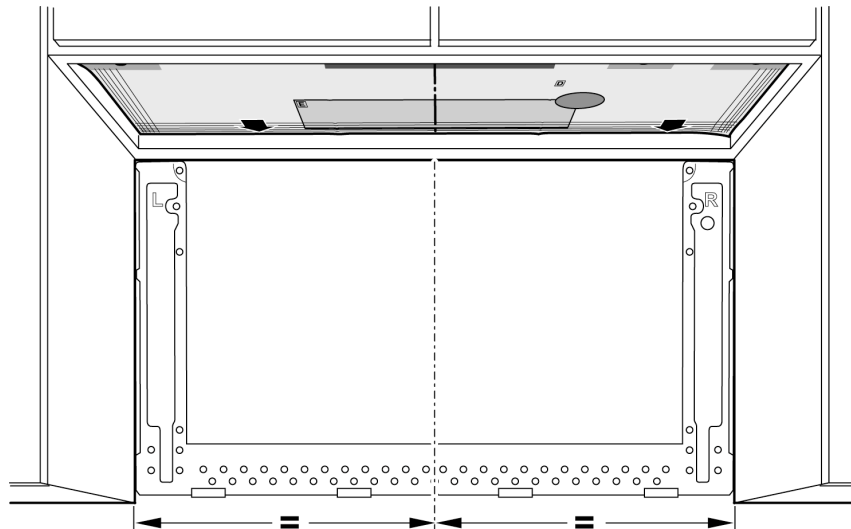
Ventilación de techo

Preparación del gabinete superior

1. Corte la alimentación eléctrica a la toma de corriente.
2. Retire todo el contenido del gabinete superior.
3. Pegue la **PLANTILLA DEL GABINETE SUPERIOR** a la superficie inferior con cinta. Asegúrese de que la línea central de la plantilla esté alineada con la línea vertical de la pared. Las flechas de la pared posterior deben estar contra la pared posterior.



Advertencia: Para la base del gabinete empotrado, recorte los bordes de la plantilla para que calce dentro del área empotrada. La plantilla tiene líneas para recortar que puede utilizar como guía.



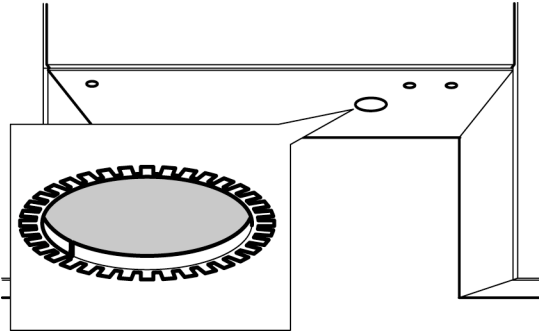
4. Perfore orificios de 3/8" (9.5 mm) en "A", "B" y "C".



ATENCIÓN: Use gafas de seguridad al perforar orificios en la base del gabinete.

5. Cale el orificio de 2" (50.8 mm) en "D". Este orificio es para el cable de alimentación eléctrica.

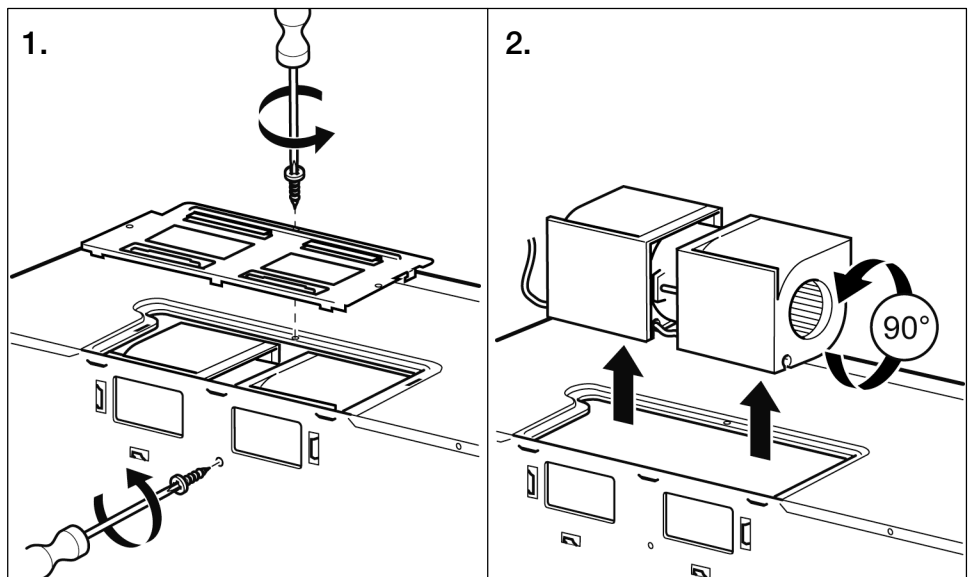
Advertencia: Si el gabinete es de metal, coloque la arandela de nylon alrededor de la abertura para proteger el cable.



6. Cale el área sombreada "E" con una sierra recíproca o de punta.

Cómo adaptar el soplador del horno de microondas

1. Retire y guarde los tornillos sujetando el motor del soplador y la placa del soplador. Levante la placa del soplador y déjela a un lado.
2. Retire el soplador con cuidado y gírelo 90° de modo que las aberturas de las hojas del ventilador miren hacia la parte superior del horno de microondas.

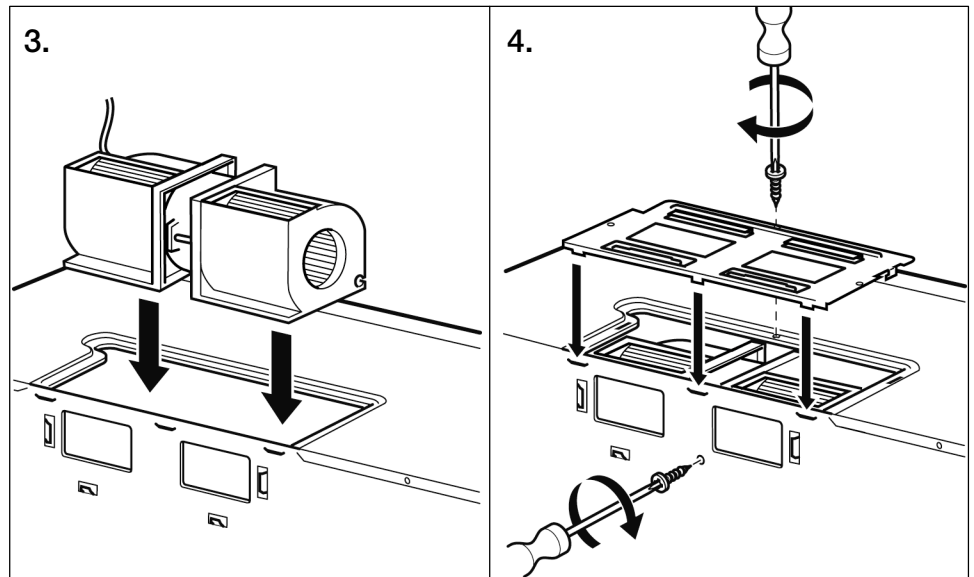


3. Vuelva a colocar el soplador en la abertura.



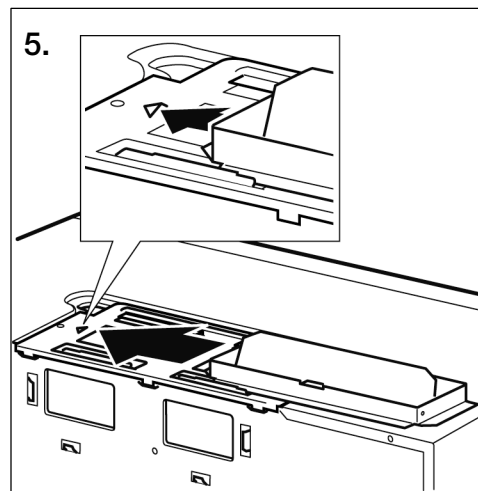
ATENCIÓN: No tire del cableado del soplador ni lo estire. Asegúrese de que los cables no estén pellizcados y de que estén correctamente asegurados.

4. Vuelva a colocar la placa del soplador y asegúrela con los tornillos que retiró en el paso 1.



5. Coloque el adaptador del escape en la parte superior de la placa del soplador deslizándolo por las guías. Empújelo firmemente hasta que quede en las lengüetas de bloqueo.

Asegúrese de que la bisagra reguladora se mueva libremente.

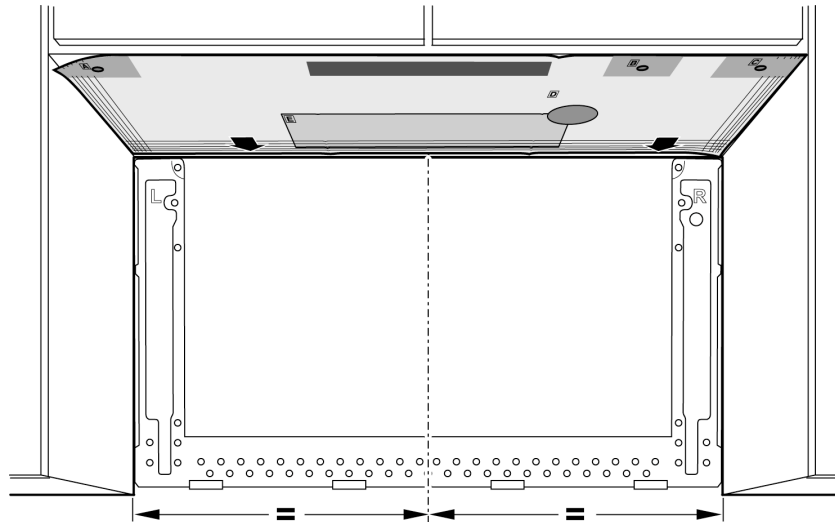


Continúe en la página 55.

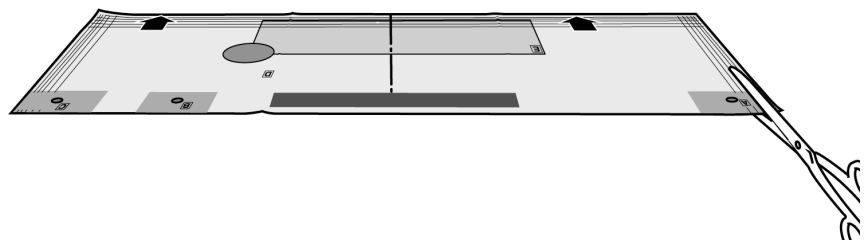
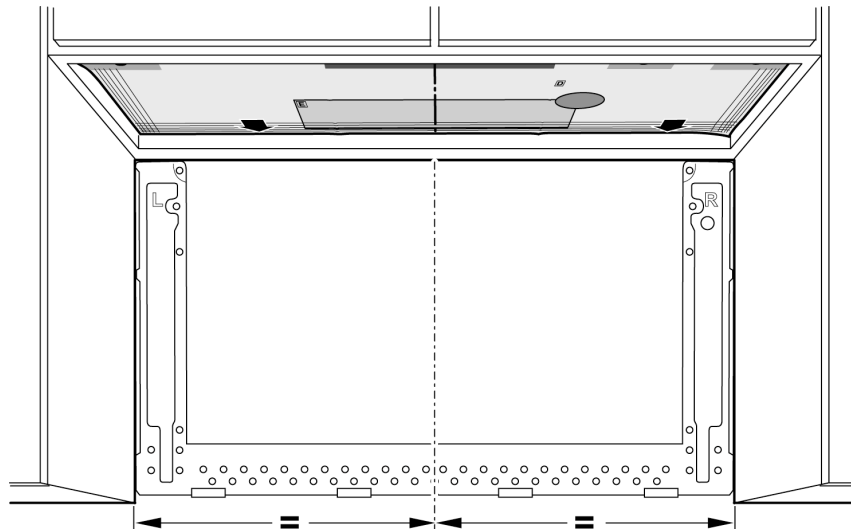
Ventilación de pared

Preparación del gabinete superior

1. Corte la alimentación eléctrica a la toma de corriente.
2. Retire todo el contenido del gabinete superior.
3. Pegue la **PLANTILLA DEL GABINETE SUPERIOR** a la superficie inferior con cinta. Asegúrese de que la línea central de la plantilla esté alineada con la línea vertical de la pared. Las flechas de la pared posterior deben estar contra la pared posterior.



Advertencia: Para la base del gabinete empotrado, recorte los bordes de la plantilla para que calce dentro del área empotrada. La plantilla tiene líneas para recortar que puede utilizar como guía.



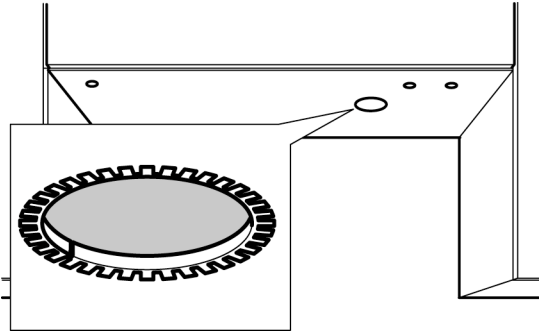
4. Perfore orificios de 3/8" (9.5 mm) en "A", "B" y "C".



ATTENCION: Use gafas de seguridad al perforar orificios en la base del gabinete.

5. Cale el orificio de 2" (50.8 mm) en "D". Este orificio es para el cable de alimentación eléctrica.

Advertencia: Si el gabinete es de metal, coloque la arandela de nylon alrededor de la abertura para proteger el cable.



Preparación de la pared posterior

Para la instalación con ventilación de pared, debe calar una abertura en la pared posterior.

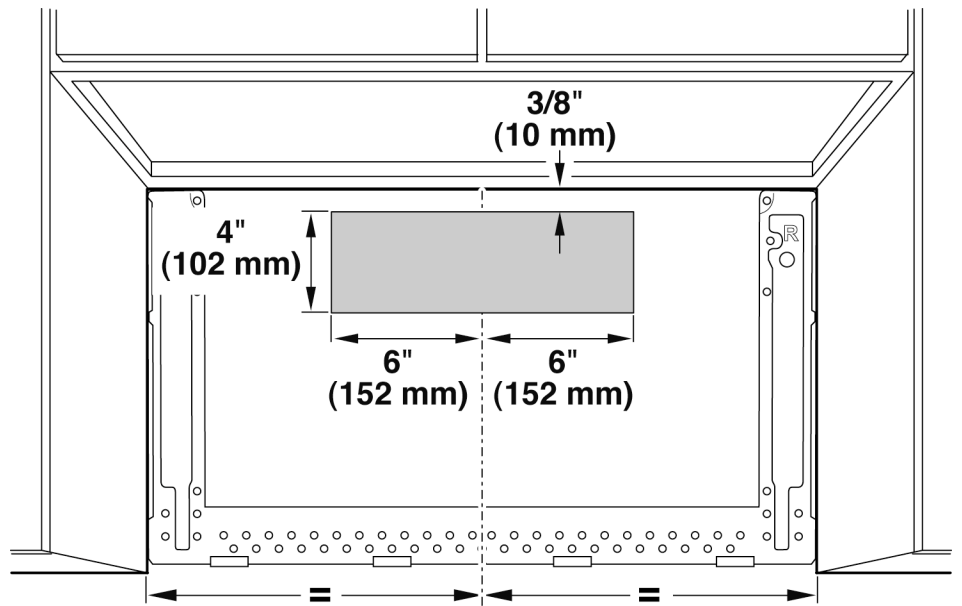


ATTENCION: Si el adaptador del escape está ubicado en el exterior, tenga en cuenta las dimensiones recomendadas. De lo contrario, el aire cargado de grasa se descargará en la estructura de la casa.

1. Marque la línea central (Consulte Cómo colocar la placa de montaje en la pared) 3/8" (10 mm) hacia abajo desde la parte superior de la placa de montaje.
2. Con una cinta métrica, mida 6" (152 mm) a cada lado de la línea central y haga una marca.
3. Mida 4" (102 mm) hacia abajo a partir de la marca realizada en el Paso 1, y haga una marca.
4. Con un borde recto, dibuje las dos líneas horizontales a nivel hasta las marcas realizadas en los Pasos 1 y 3.
5. Trace las dos líneas a plomo en forma vertical hacia abajo, a partir de las marcas realizadas en el Paso 2 para completar el rectángulo de 12" x 4" (304 mm x 102 mm). Esta es el área para el hueco de ventilación.

El área del hueco de 12" x 4" (305 mm x 102 mm) debe estar alineada con la ventilación del regulador de ventilación pared (donde se instalará el conjunto del regulador) en la parte posterior del horno de microondas.

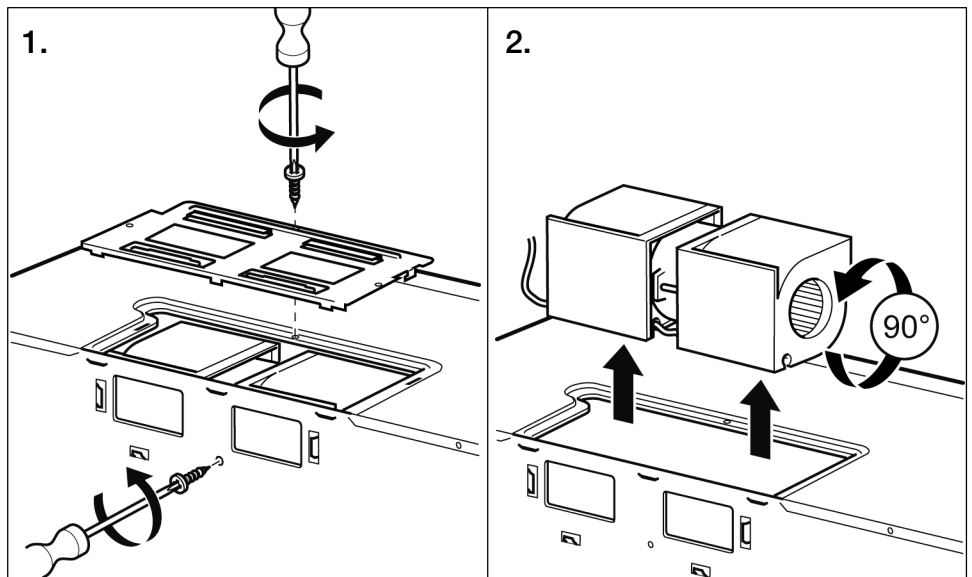
Advertencia: El hueco no debe tener obstrucciones para que la ventilación calce correctamente y, la bisagra reguladora se abra completamente y se mueva libremente.



6. Con una sierra recíproca o de punta, cale esta área a través de la pared posterior.

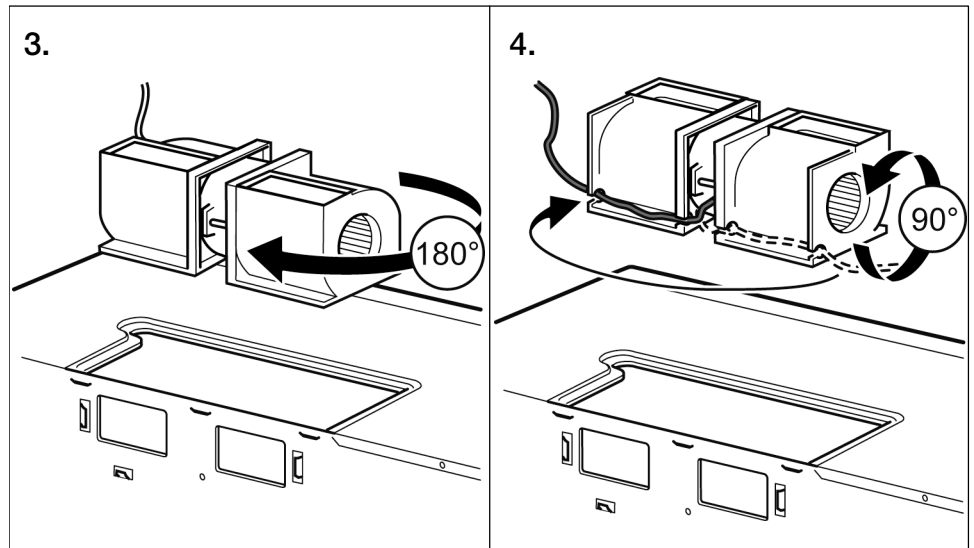
Cómo adaptar el soplador del horno de microondas

1. Retire y guarde los tornillos sujetando el motor del soplador y la placa del soplador. Levante la placa del soplador y déjela a un lado.
2. Retire el soplador con cuidado y gírelo 90° de modo que las aberturas de las hojas del ventilador miren hacia la parte superior del horno de microondas.



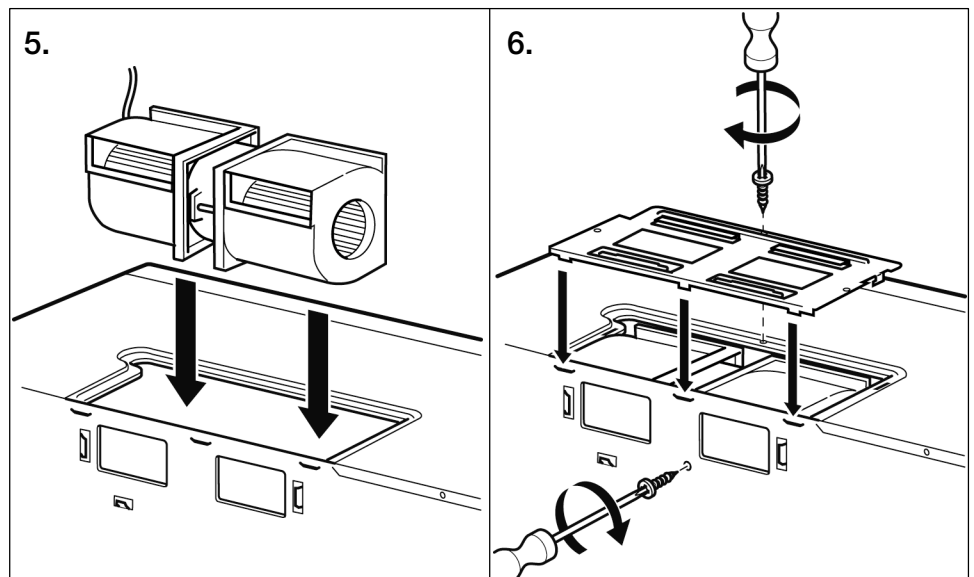
3. Gire el soplador 180° hacia la izquierda.

4. Quite suavemente los cables de las ranuras. Pase los cables por las ranuras del otro lado de la unidad del soplador. Gire el soplador 90° de modo que las aberturas de las hojas del ventilador miren hacia la parte posterior del horno de microondas.



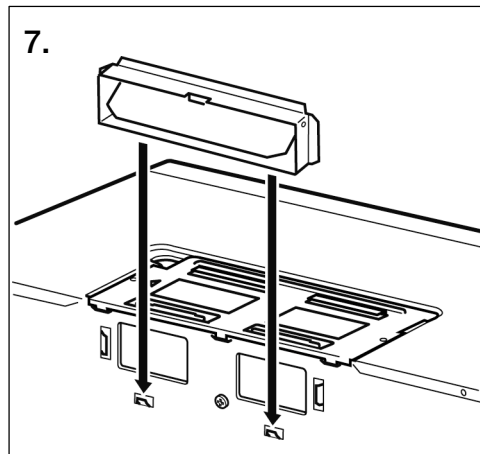
ATTENCION: No tire del cableado del soplador ni lo estire. Asegúrese de que los cables no estén pellizcados y de que estén correctamente asegurados.

5. Vuelva a colocar el soplador en la abertura.
6. Vuelva a colocar la placa del soplador y asegúrela con los tornillos que retiró en el Paso 1.



7. Coloque el adaptador del escape en la parte posterior del horno deslizándolo por las guías. Empújelo firmemente hasta que quede en las lengüetas de bloqueo inferiores.

Asegúrese de que la bisagra reguladora se mueva libremente.

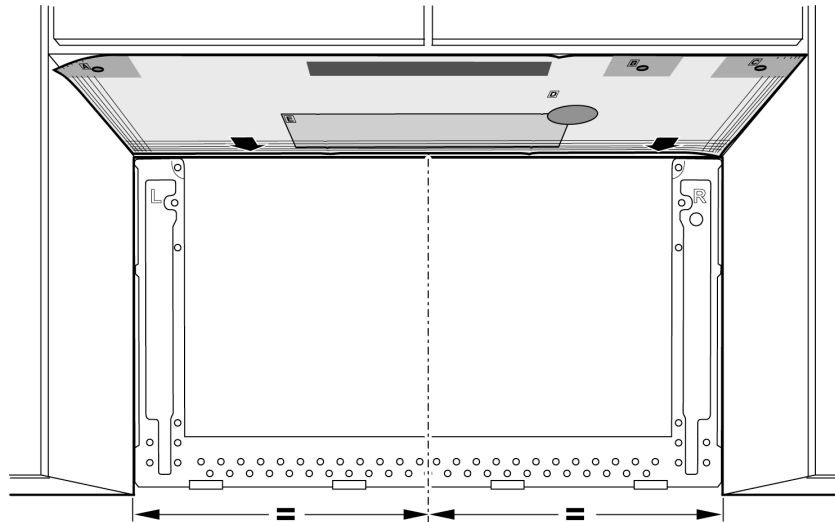


Continúe en la página 55.

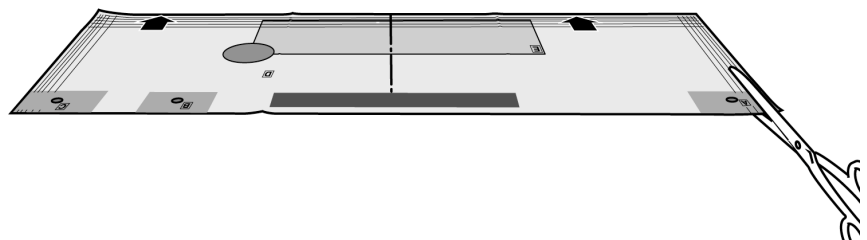
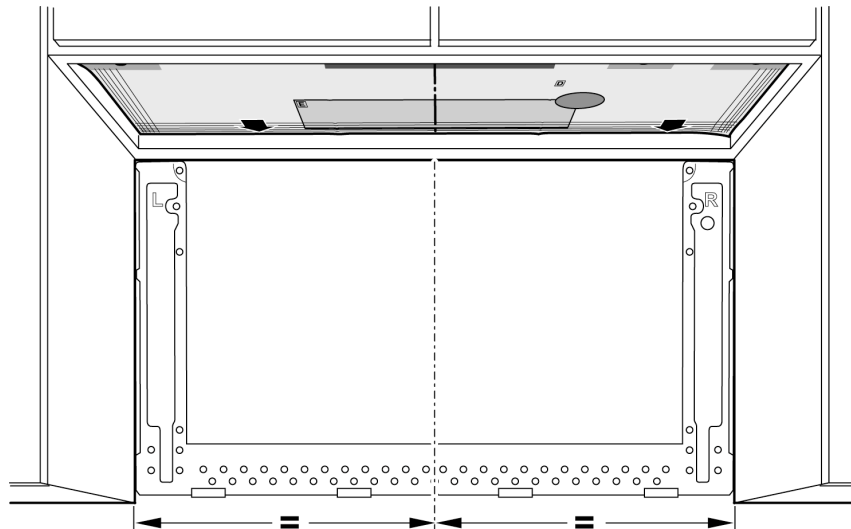
Ventilación de ambiente

Preparación del gabinete superior

1. Corte la alimentación eléctrica a la toma de corriente.
2. Retire todo el contenido del gabinete superior.
3. Pegue la **PLANTILLA DEL GABINETE SUPERIOR** a la superficie inferior con cinta. Asegúrese de que la línea central de la plantilla esté alineada con la línea vertical de la pared. Las flechas de la pared posterior deben estar contra la pared posterior.



Advertencia: Para la base del gabinete empotrado, recorte los bordes de la plantilla para que calce dentro del área empotrada. La plantilla tiene líneas para recortar que puede utilizar como guía.



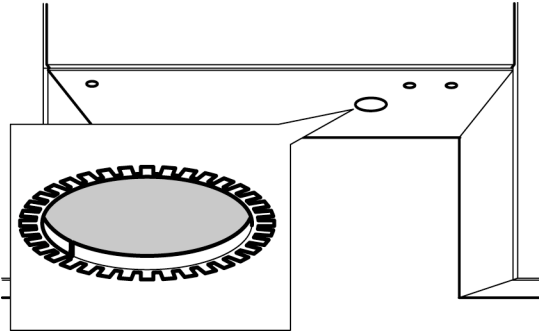
4. Perfore orificios de 3/8" (9.5 mm) en "A", "B" y "C".



ATTENCION: Use gafas de seguridad al perforar orificios en la base del gabinete.

5. Cale el orificio de 2" (50.8 mm) en "D". Este orificio es para el cable de alimentación eléctrica.

Advertencia: Si el gabinete es de metal, coloque la arandela de nylon alrededor de la abertura para proteger el cable.



Cómo adaptar el soplador del horno de microondas

Este horno de microondas se envía armado para una **instalación de ventilación de ambiente**. El soplador ya se encuentra en su lugar y no debe ser adaptado.

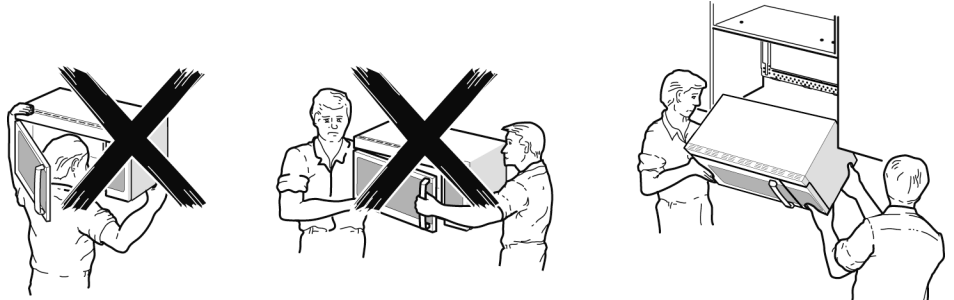
Continúe en la página 55.

Cómo montar el horno de microondas

Advertencia: Si la base del gabinete superior está empotrada o tiene una saliente frontal, deberá preparar bloques de relleno de 2" x 2" (51 mm x 51 mm, profundidad equivalente al empotrado o a la saliente del gabinete) para brindar mayor soporte a los pernos:

- marque el centro de cada bloque de relleno y perforo un orificio de $\frac{3}{8}$ (9.5 mm) de diámetro
- alinee los bloques de relleno sobre las tres aberturas que se encuentran en la parte superior del horno de microondas y sujételos con cinta de enmascarar (ver Figura 1)

Advertencia: Se necesitan, al menos, dos personas para instalar el horno de microondas. No sujete ni use la manija durante la instalación.



Advertencia: Al montar el horno de microondas, pase el cable de alimentación por el orificio de la base del gabinete superior. Mantenga el cable tirante sin pellizcarlo, especialmente al montar el horno de microondas a ras de la base del gabinete. No tire del cable para levantar el horno.

1. Levante el horno de microondas, inclínelo hacia adelante y enganche las cuatro lengüetas inferiores de la placa de montaje en las ranuras que se encuentran en el borde inferior posterior.
2. Gire el frente del horno contra la base del gabinete.

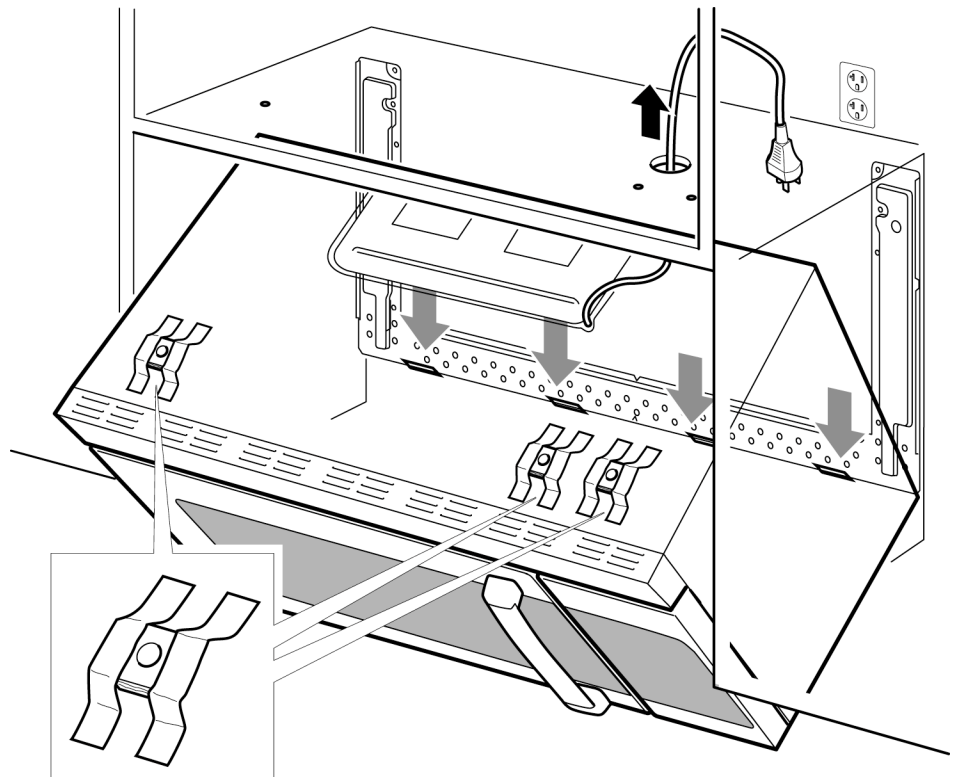
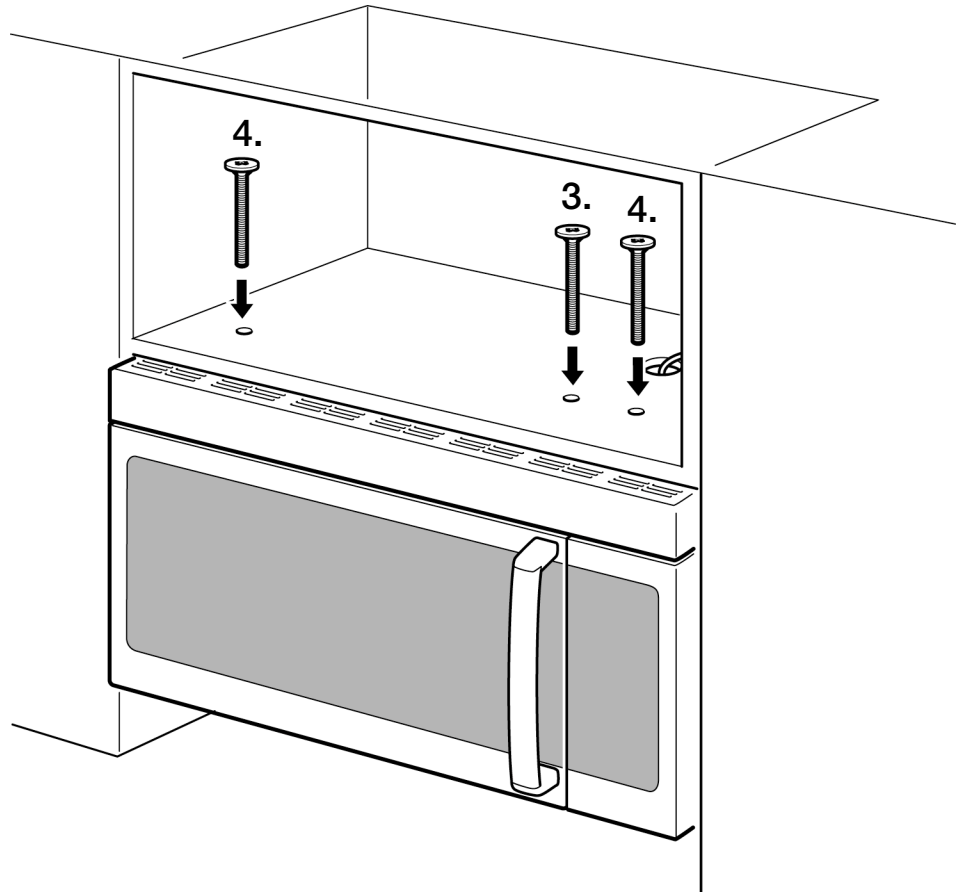
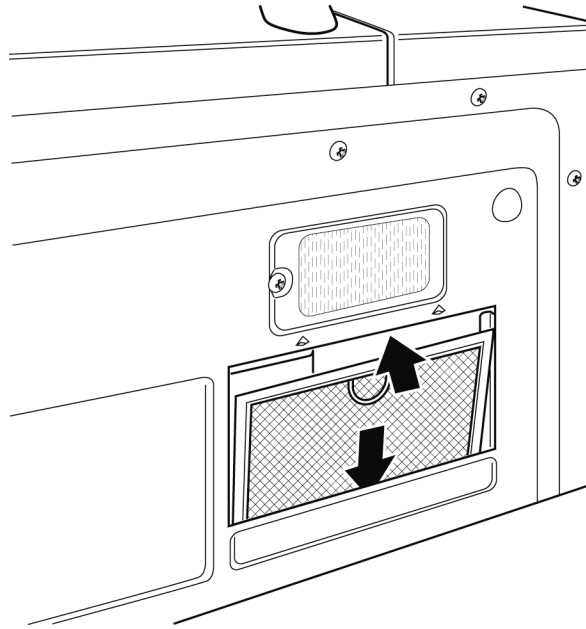


Figura 1

3. Inserte un tornillo autoalienable en el orificio central de la parte superior del gabinete. Asegure el horno temporalmente girando el tornillo, al menos, **dos vueltas completas** una vez que se hayan enganchado las roscas.
4. Inserte los dos tornillos autoalienables restantes en los orificios de los extremos de la parte superior del gabinete. Dé **dos vueltas completas** en cada tornillo.



5. Ajuste completamente el tornillo central.
 6. Ajuste completamente los dos tornillos de los extremos a la parte superior del horno de microondas.
- Advertencia:** Al ajustar los tornillos, sostenga el horno de microondas en su lugar contra la pared y el gabinete superior.
7. Instale filtros de grasa deslizándolos dentro de las ranuras laterales y, luego, empujándolos hacia arriba y en dirección al horno para que queden trabados.



Escape de campana

Al ventilar el escape hacia el exterior, se necesitarán conductos del escape de campana. Lea detenidamente las siguientes instrucciones.

Advertencia: Es importante instalar la ventilación utilizando la vía más directa y la mínima cantidad de codos posible. Esto asegura la ventilación libre del escape y ayuda a evitar obstrucciones. Asimismo, asegúrese de que los reguladores se muevan libremente y que nada obstruya los conductos.

Conexión del escape





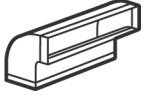
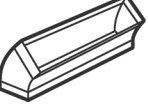
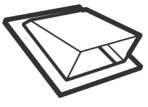

El escape de campana ha sido diseñado para conectarse a un conducto rectangular estándar de 3¼" x 10" (82 mm x 254 mm). Si se requiere un conducto redondo, debe utilizar un adaptador de transición de rectangular a redondo. **No use un conducto de menos de 6" (152 mm) de diámetro.**

Longitud máxima del conducto

Para garantizar un movimiento de aire aceptable, la longitud total del conducto rectangular de 3¼" x 10" (82 mm x 254 mm) o redondo de 6" (152 mm) de diámetro **no debe exceder el equivalente a 120 pies (36.5 m).**

Codos, transiciones, tapas de pared y techo, etc.

Generan resistencia adicional al flujo de aire y equivalen a la sección del conducto recto que es más largo que su tamaño físico real. Al calcular la longitud total del conducto, sume las longitudes equivalentes de todas las transiciones y de los adaptadores, y la longitud de todas las secciones del conducto recto. El cuadro que aparece a continuación le muestra cómo calcular la longitud total equivalente del sistema de conductos utilizando la cantidad aproximada de pies de longitud equivalente de algunos conductos típicos:

Piezas de conductos		Longitud equivalente	x	Cantidad usada	=	Longitud equivalente
	Adaptador de transición de rectangular a redondo*	5 pies (1.5 m)	x	()	=	pies o m
	Tapa de pared	40 pies (12.2 m)	x	()	=	pies o m
	Codo de 90°	10 pies (3 m)	x	()	=	pies o m
	Codo de 45°	5 pies (1.5 m)	x	()	=	pies o m
	Codo de 90°	25 pies (7.6 m)	x	()	=	pies o m
	Codo de 45°	5 pies (1.5 m)	x	()	=	pies o m
	Tapa de techo	24 pies (7.3 m)	x	()	=	pies o m
	Conducto recto redondo de 6" (152 mm) o Rectangular de 3¼" x 10" (82 mm x 254 mm)	1 pie (0.3 m)	x	()	=	pies o m
Sistema de conductos total					=	pies o m

* Si se usa un adaptador de transición de rectangular a redondo, primero asegúrese de que la bisagra reguladora del horno de microondas se mueva libremente. Si es necesario, corte el regulador para que calce, con tijeras de hojalatero, para permitir que haya movimiento libre.

Las longitudes equivalentes de las piezas de conductos se basan en pruebas reales y reflejan los requisitos para un buen rendimiento de ventilación con cualquier campana de ventilación.

Servicio técnico

Si necesita reparar el electrodoméstico, llame a nuestro Departamento de Servicio Técnico. Nuestro Centro de Servicio al Cliente principal (vea a continuación) también se complacerá en brindarle la información sobre un centro cercano a su domicilio.

Cuando llame a nuestro servicio al cliente, tenga a la mano el número E y el número FD de su electrodoméstico.

Puede encontrar la placa de identificación con estos números en el interior del electrodoméstico.

¿Preguntas? Comuníquese con nosotros. ¡Esperamos tener noticias tuyas pronto!

1-800-944-2904

www.boschappliances.com

5551 McFadden Ave.
Huntington Beach, CA 92649 USA

