

24" Compact Washer

Axxis - White

WAS20160UC



Features and Benefits

Key Features

- 15 Wash Cycles and 6 Options
- Multi-Function Status LED
- Unique Raindrop Stainless Steel Drum
- AntiVibration Technology for Second Floors Installation

Design

- Neat White - European Design
- See-thru Silver Door
- Multi-Function Status LED
- Advance Touch Control Technology
- Snag Free Stainless Steel Structured Drum
- Stackable - Space Saving
- AntiVibration Design Reduces Vibration by up to 30%

Performance

- Sensor-controlled Automatic Washing Programs
- Unique Raindrop Drum Pattern for Powerful & Gentle Cleaning
- Up to 1000 rpm Maximum Spin Speed
- 5 Spin Speed Settings
- 3D Sensor controls imbalance
- Sanitary Cycle Heats Water Up to 161° F to Kills Bacteria
- KidsCare™ Cycle Removes Toughest Stains with Ease
- Refresh Cycle Refreshes Loads Up to 4 lbs
- Wool / Handwash Cycle
- Heavy Duty Option Targets the Toughest Stains
- Reduced Ironing Option



Notes: All height, width and depth dimensions are shown in inches. *Please refer to installation instructions prior to making cutout. BSH reserves the absolute and unrestricted right to change product materials and specifications, at any time, without notice. Consult the product's installation instructions for final dimensional data and other details. Applicable product warranty can be found in a accompanying product literature or you may contact your account manager for further details.

For more information on our entire line of products, go to boschappliances.com or call 1-800-944-2904.
Copyright ©2014 BSH Home Appliances Corporation. All rights reserved. Bosch is a registered trademark of Robert Bosch GmbH.

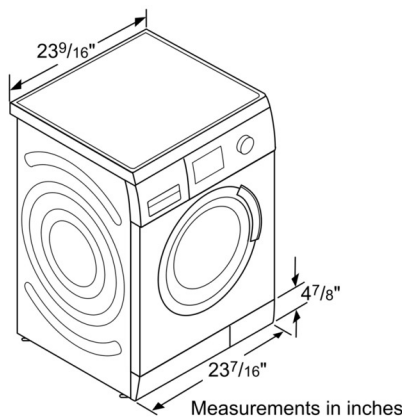
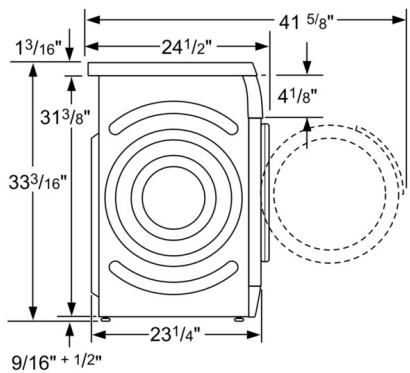
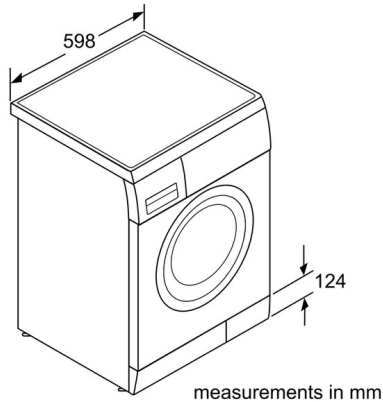
Litho Date: 03/2014



24" Compact Washer

Axxis - White

WAS20160UC



Features

UPC code	825225855620
Variant color	White
Door ring	silver-grey
Buttons	silver
Dial	white
Alternative colors available	
Noise level washing (dB(A) re 1 pW)	54
Watts (W)	2300
Current (A)	12
Volts (V)	208-240
Frequency (Hz)	60
Total annual energy consumption (kWh)	140
Water Consumption (gal/y)	3904
Energy Star® qualified	Yes
Power cord included	Yes
Power Cord Length	69"
Plug type	240V-3 prong
Length outlet hose (in)	59.05
Length inlet hose (in)	47.24
AQUASTOP® Hose	Yes
Overall appliance dimensions (HxWxD) (in)	33 3/16" x 23 9/16" x 24 1/2"
Product packaging dimensions (HxWxD) (in)	34 1/4" x 25 1/4" x 26 3/4"
Net weight (lbs)	163
Gross weight (lbs)	165
Capacity (cu. ft.)	2.2

Technical Specification

Leak protection system	Multiple water protection
Number of Options	6
Maximum spin speed (rpm)	1000
Spin speed options	Variable
Internal Water Heater	Yes
Display	No
Status indicator	LED

Notes: All height, width and depth dimensions are shown in inches. *Please refer to installation instructions prior to making cutout. BSH reserves the absolute and unrestricted right to change product materials and specifications, at any time, without notice. Consult the product's installation instructions for final dimensional data and other details. Applicable product warranty can be found in a accompanying product literature or you may contact your account manager for further details.

For more information on our entire line of products, go to boschappliances.com or call 1-800-944-2904.
Copyright ©2014 BSH Home Appliances Corporation. All rights reserved. Bosch is a registered trademark of Robert Bosch GmbH.

Litho Date: 03/2014

