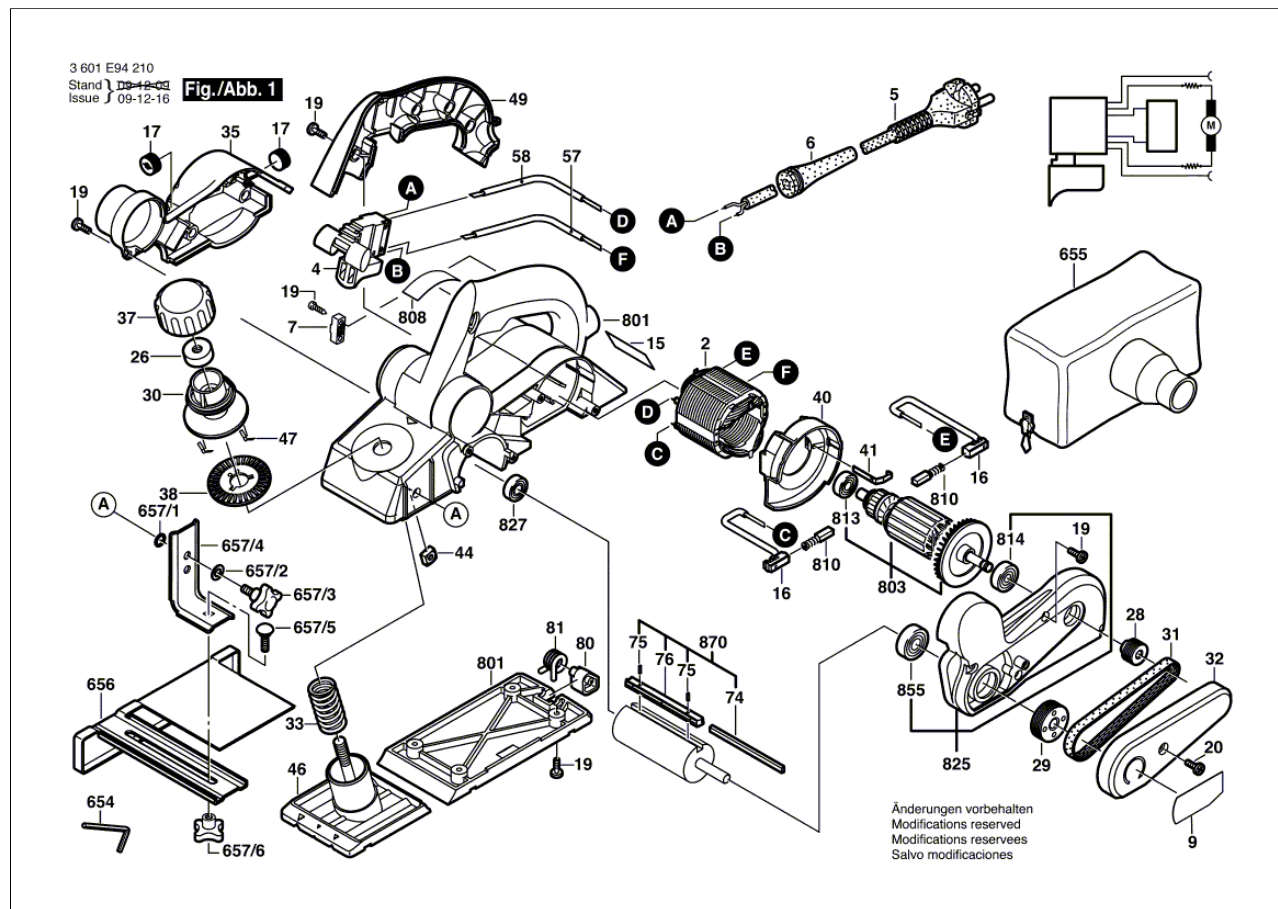


PORTABLE PLANER

3 601 E94 210 PL1682

15.03.2010 19:46:03



Item	Quantity	Order No.	Designation	Price group	Page
2	1	2 604 220 479	FIELD / 110-120V		1
4	1	1 607 200 158	ON-OFF SWITCH	21	1
5	1	1 604 460 246	POWER SUPPLY CORD		1
6	1	2 600 703 018	GROMMET / Ø7,3-Ø8,6x76MM	13	1
7	1	2 601 035 001	CABLE CLIP	11	1
9	1	2 609 132 572	MANUFACTURER'S NAMEPLATE / PL 1682		1
15	1	2 609 130 372	REFERENCE PLATE	15	1
16	2	2 604 449 055	CARBON BRUSH HOLDER	11	1
17	2	2 609 100 087	COVER	10	1
19	14	2 910 611 020	TAPPING SCREW / DIN 7981-ST3,9x19-C-H	11	1
20	1	2 609 110 155	SCREW	10	1
26	1	2 609 110 131	ADJUSTING NUT	12	1
28	1	2 609 110 268	PULLEY	13	1
29	1	2 609 110 267	PULLEY	16	1
30	1	2 609 100 835	HANDLE		1
31	1	2 609 100 410	V-BELT	22	1
32	1	2 609 100 024	GEAR COVER	15	1
33	1	2 609 110 077	COMPRESSION SPRING	13	1
35	1	2 609 100 023	BRUSH-COVER / BLUE	19	1
37	1	2 609 100 140	CAP-HANDLE	15	1
38	1	2 609 110 162	RATCHET DISC	10	1
40	1	2 609 100 028	AIR-DEFLECTOR RING	15	1
41	1	2 601 329 053	CONTACT STRAP	11	1
44	2	2 603 320 004	SQUARE NUT / M6	11	1
46	1	2 609 110 063	ADJUSTING PLATE	31	1
47	2	2 601 254 000	RATCHET SPRING	11	1
49	1	2 609 100 022	HANDLE COVER / BLUE	20	1
57	1	2 604 448 181	CONNECTING CABLE / L = 233 MM / WHITE	12	1

Item	Quantity	Order No.	Designation	Price group	Page
58	1	2 604 448 118	CONNECTING CABLE / L=213MM / BLUE	11	1
74	1	2 608 635 341	PLANING KNIFE		1
75	2	2 603 400 016	SET SCREW	11	1
76	1	2 603 111 001	GRIPPING WEDGE	25	1
80	1	2 609 100 088	KNIFE GUARD	14	1
81	1	2 609 110 109	SPRING	12	1
654	1	1 907 950 003	OFFSET SCREWDRIVER / DIN 911 SW2,5	14	1
655	1	2 609 170 013	DUST BAG		1
656	1	2 608 005 015	STOP BRACKET		1
657/1	1	1 610 210 043	O-RING / 4x1,5 MM	11	1
657/2	1	2 916 011 014	PLAIN WASHER / DIN 125-A 6,4-ST	10	1
657/3	1	2 603 480 003	WING SCREW / M 6x16 MM		1
657/4	1	1 601 332 018	STOP BRACKET	15	1
657/5	1	2 910 281 201	ROUND-HEAD BOLT / DIN 603-M6x20	10	1
657/6	1	2 609 199 008	WING NUT	11	1
801	1	2 609 100 141	MOTOR HOUSING / BLUE	35	1
803	1	2 609 199 270	ARMATURE		1
808	1	1 601 106 033	NAMEPLATE / 18x52 MM		1
810	1	2 609 120 064	CARBON-BRUSH SET	22	1
813	1	2 600 905 051	DEEP-GROOVE BALL BEARING		1
814	1	2 600 905 052	DEEP-GROOVE BALL BEARING / 8x22x7MM		1
825	1	2 609 110 174	BEARING FLANGE		1
827	1	2 600 905 051	DEEP-GROOVE BALL BEARING		1
855	1	2 600 905 064	DEEP-GROOVE BALL BEARING	23	1
870	1	2 609 110 193	PLANER HEAD		1