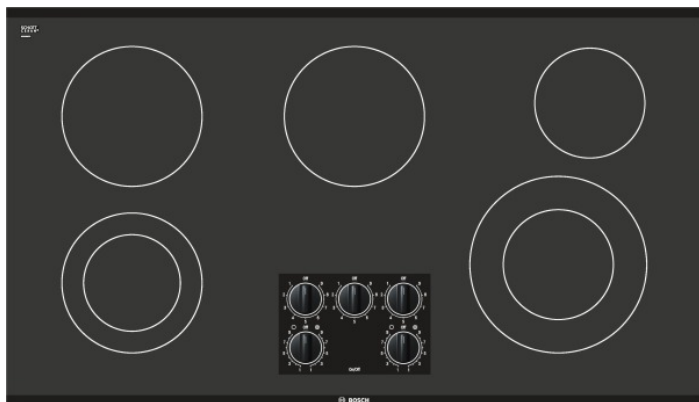


# 36" Black Electric Cooktop

## 300 Series - Black

### NEM3664UC



### Features and Benefits

#### Key Features

- High Quality Black Knobs with a Stainless Steel Bezel
- Infinite Temperature Controls for Precision Cooking

#### Design

- High Quality Black Knobs with a Stainless Steel Bezel

#### Performance

- Dual Element Offers the Capability to use Multiple Pan Sizes
- Infinite Temperature Controls for Precision Cooking
- Heat Indicator - Warns if Cooktop is Warm or Hot

Notes: All height, width and depth dimensions are shown in inches. \*Please refer to installation instructions prior to making cutout. BSH reserves the absolute and unrestricted right to change product materials and specifications, at any time, without notice. Consult the product's installation instructions for final dimensional data and other details. Applicable product warranty can be found in a accompanying product literature or you may contact your account manager for further details.

For more information on our entire line of products, go to [boschappliances.com](http://boschappliances.com) or call 1-800-944-2904.

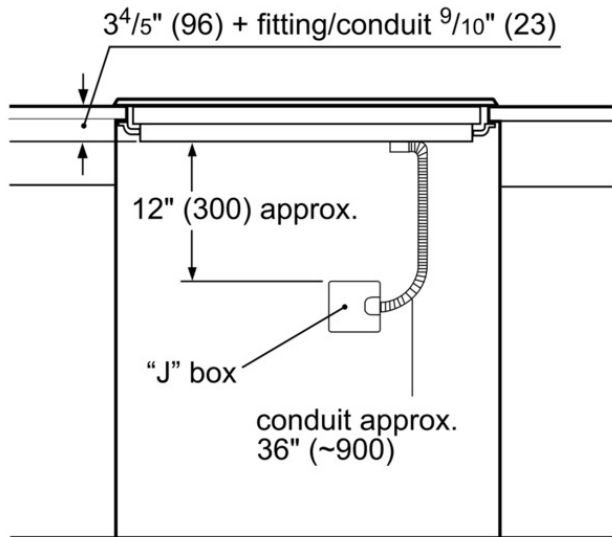
Copyright ©2014 BSH Home Appliances Corporation. All rights reserved. Bosch is a registered trademark of Robert Bosch GmbH.

Litho Date: 01/2014

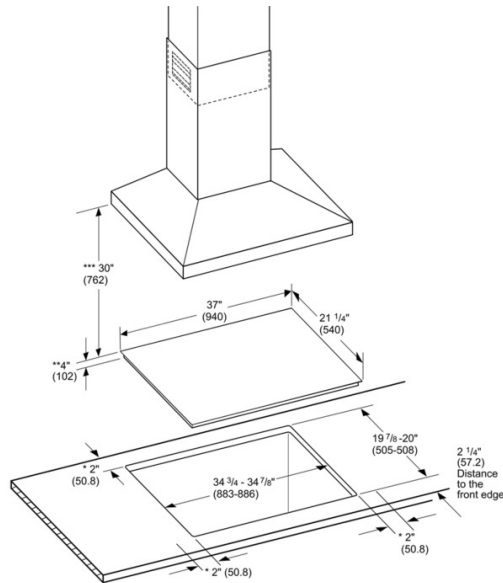
# 36" Black Electric Cooktop

## 300 Series - Black

### NEM3664UC



measurement in inches (mm)



\* Minimum distance from the cooktop cutout to the wall  
 \*\* Maximum cutout depth  
 \*\*\* Minimum distance between the cooktop surface and lower edge of the exhaust hood  
 Dimensions in inches (mm)

### Features

Knob Material	Plastic
Sealed Burners	No
Burners with booster	
Type of grate	
Total BTU load	
LP Gas Connection Rating (BTU)	
Power of 1st heating element (kW in boost)	
Dimension of 1st heating element (in)	5"; 7"
Power of 2nd heating element (kW in boost)	
Dimension of 2nd heating element (in)	7"
Power of 3rd heating element (kW in boost)	
Dimension of 3rd heating element (in)	7"
Power of 4th heating element (kW in boost)	
Dimension of 4th heating element (in)	6"
Power of 5th heating element (kW in boost)	
Dimension of 5th heating element (in)	9", 6"
Power of 6th heating element (kW in boost)	
Dimension of 6th heating element (in)	

### Technical Specification

UPC code	825225867395
Variant color	Black
Energy source	Electric
Gas type	
Alternative gas type	
Watts (W)	9000
Current (A)	40
Volts (V)	240/208
Frequency (Hz)	60
Approval certificates	CSA
Power Cord Length	
Plug type	no plug
Required cutout size (HxWxD) (in)	4" x 34 7/8" x 20"
Minimum distance from counter front (in)	2 1/4"
Minimum distance from rear wall (in)	2"
Overall appliance dimensions (HxWxD) (in)	1/4"+4" x 37" x 21 1/4"
Product packaging dimensions (HxWxD) (in)	7 7/8" x 43 5/16" x 24"
Net weight (lbs)	31
Gross weight (lbs)	40
Total number of cooktop burners	5

Notes: All height, width and depth dimensions are shown in inches. \*Please refer to installation instructions prior to making cutout. BSH reserves the absolute and unrestricted right to change product materials and specifications, at any time, without notice. Consult the product's installation instructions for final dimensional data and other details. Applicable product warranty can be found in a accompanying product literature or you may contact your account manager for further details.

For more information on our entire line of products, go to [boschappliances.com](http://boschappliances.com) or call 1-800-944-2904.

Copyright ©2014 BSH Home Appliances Corporation. All rights reserved. Bosch is a registered trademark of Robert Bosch GmbH.

Litho Date: 01/2014