

Use and Care Manual
Guide d'utilisation et d'entretien
Manual de uso y cuidado

Warming Drawer



Models:
HWD27, HWD30



Table of Contents

About This Manual	1
How This Manual Is Organized	1
Safety	2
Important Safety Instructions	2
Getting Started	5
Parts	5
Operation	7
About the Appliance	7
Features	7
Operation	7
Getting the Most Out of Your Appliance	9
Cleaning and Maintenance	10
Cleaning	10
Removing the Drawer	11
Replacing the Drawer	11
Service	12
Data Plate	12
STATEMENT OF LIMITED PRODUCT WARRANTY	13

This Bosch Appliance is made by
BSH Home Appliances Corporation
1901 Main Street, Suite 600
Irvine, CA 92614

Questions?

1-800-944-2904

www.boschappliances.com

We look forward to hearing from you!

About This Manual

How This Manual Is Organized

This manual contains several sections:

- The *Safety* section describes important procedures that can ensure your safety while using the appliance.
- The *Getting Started* section describes the features and functionality of the appliance, including a description of how to set it up and operate it.
- The *Operation* section describes how to operate and get the best performance out of each component.
- The *Cleaning and Maintenance* section describes how to clean and maintain the appliance.
- The *Service* section includes troubleshooting tips and your warranty.

Before using your appliance, be sure to read this manual. Pay special attention to the *Important Safety Instructions* located at the beginning of the manual.

Safety



Important Safety Instructions

READ AND SAVE THESE INSTRUCTIONS



WARNING:

When properly cared for, your new appliance has been designed to be safe and reliable. Read all instructions carefully before use. These precautions will reduce the risk of burns, electric shock, fire and injury to persons. When using kitchen appliances, basic safety precautions must be followed, including those in the following pages.

Proper Installation and Maintenance

Have the installer show you the location of the circuit breaker or fuse. Mark it for easy reference.

This appliance must be properly installed and grounded by a qualified technician. Connect only to a properly grounded outlet. Refer to the Installation Instructions for details.

This appliance is intended for normal family household use only. It is not approved for outdoor use. See the *Warranty*. If you have any questions, contact the manufacturer.

Do not store or use corrosive chemicals, vapors, flammables or nonfood products in or near this appliance. It is specifically designed for use when heating or cooking food. The use of corrosive chemicals in heating or cleaning will damage the appliance and could result in injury.

Do not operate this appliance if it is not working properly, or if it has been damaged. Contact an authorized servicer.

Do not repair or replace any part of the appliance unless specifically recommended in this manual. Refer all servicing to a factory authorized service center.

Fire Safety

If materials inside an oven should ignite, keep door closed. Turn off the appliance, and disconnect the circuit at the circuit breaker box.

Use this appliance only for its intended purpose as described in this manual. For example, never use the appliance for warming or heating the room. Never use the appliance for storage.

Always have a working smoke detector near the kitchen.

In the event that personal clothing or hair catches fire, drop and roll immediately to extinguish flames.

Smother flames from food fires other than grease fires with baking soda. Never use water on cooking fires.



Important Safety Instructions

READ AND SAVE THESE INSTRUCTIONS

Burn Prevention

Exercise caution when opening the appliance. Standing to the side, open the door slowly and slightly to let hot air and/or steam escape. Keep your face clear of the opening and make sure there are no children or pets near the unit. After the release of hot air and/or steam, proceed with your cooking. Keep doors shut unless necessary for cooking or cleaning purposes. Do not leave open doors unattended.

Do not heat or warm unopened food containers. Build-up of pressure may cause the container to burst and cause injury.

Always use dry potholders. Moist or damp potholders on hot surfaces may result in burns from steam. Do not let potholder touch hot heating elements. Do not use a towel or other bulky cloth.

Do not touch interior surface of the drawer while it is in use. The interior of the drawer could become hot enough to cause burns. Allow drawer and rack (if equipped) to cool before handling.

WARNING:

To prevent burns, do not remove drawer while hot. Be sure drawer is empty before removing.

Secure all loose garments, etc. before beginning. Tie long hair so that it does not hang loose, and do not wear loose fitting clothing or hanging garments, such as ties, scarves, jewelry, or dangling sleeves.

Child Safety

Do not allow anyone to climb, stand, lean, sit, or hang on any part of an appliance, especially a door, warming drawer or storage drawer. This can damage the appliance, and the unit may tip over, potentially causing severe injury.

Do not allow children to use this appliance unless closely supervised by an adult. Children and pets should not be left alone or unattended in the area where the appliance is in use. They should never be allowed to play in its vicinity, whether or not the appliance is in use.

CAUTION:

Items of interest to children should not be stored in an appliance, in cabinets above an appliance or on the backsplash. Children climbing on an appliance to reach items could be seriously injured.

Cookware Safety

CAUTION:

Plastic containers or plastic wrap can melt if in direct contact with the drawer or a hot utensil. If it melts onto the drawer, it may not be removable.



Important Safety Instructions

READ AND SAVE THESE INSTRUCTIONS

Food Safety

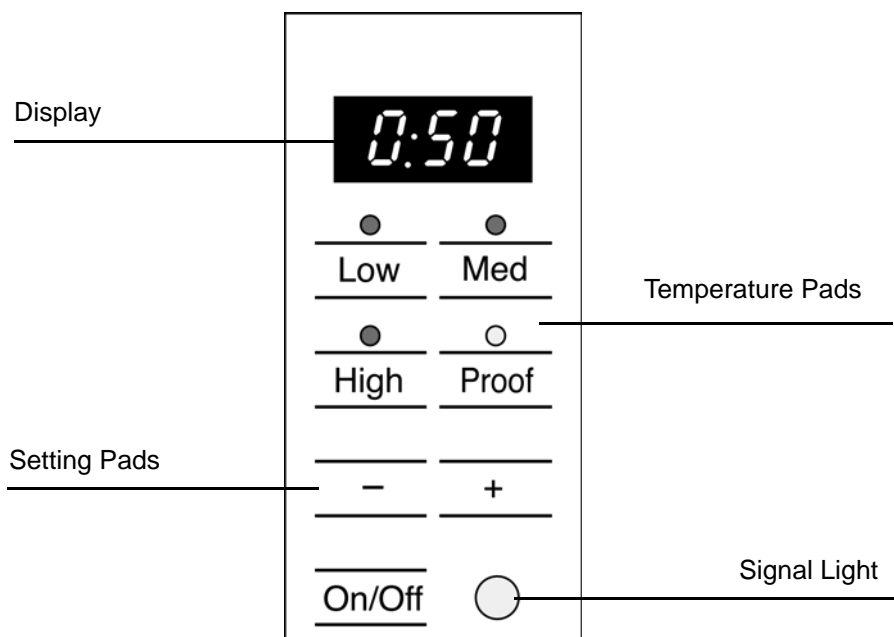
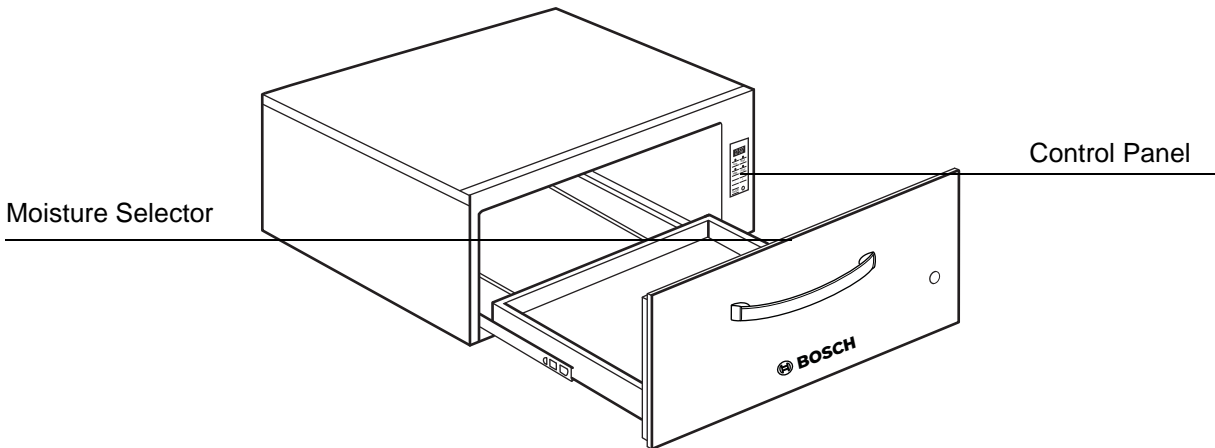
CAUTION:

To maintain food safety, follow these guidelines:

1. DO NOT use the warming drawer to heat cold food (exception: it is safe to use the drawer to crisp crackers, chips or dry cereal and to warm plates).
2. Be sure to maintain proper food temperature. The USDA recommends holding hot food at 140°F or warmer.
3. DO NOT warm food for longer than one hour.

Getting Started

Parts



ON/OFF Pad

Use this pad to switch the warming drawer on and off.

Signal Light

The signal light turns on when the drawer is in use.

Beep

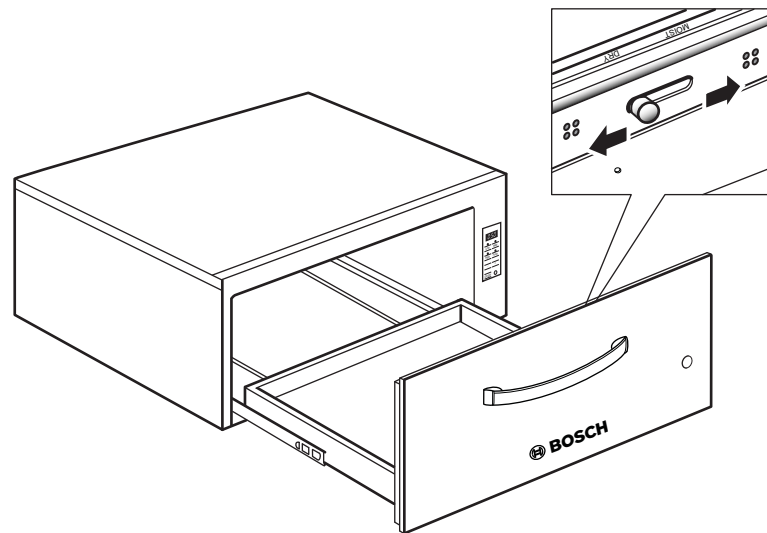
The control panel beeps to confirm an entry. The warming timer beeps when the time has elapsed.

Temperature Pads

The temperature pads control the temperature of the drawer bottom.

Setting	Temperature of Drawer
LOW	140 °F
MED (Medium)	165 °F
HIGH	190 °F
PROOF	100 °F

Moisture Selector



To keep foods moist:

Slide the knob inside the drawer towards **"Moist"**. This closes the vents and seals the moisture inside the drawer. With the vent closed, the drawer is completely sealed which keeps the hot food moist and soft.

To keep foods crisp:

Slide the knob inside the drawer towards **"Dry"**. This opens the vents and allows the moisture to escape.

Operation

About the Appliance

The warming drawer will keep hot, cooked foods at serving temperature. Always start with hot food. DO NOT use to heat cold food other than proofing yeast dough, crisping crackers, chips, dry cereal or warming dishes or plates.

Features

Warming Timer

The warming timer can be set for any increment of 5 minutes. The minimum time is 5 minutes and the maximum is 5 hours.

Note: The warming timer default is 1 hour.

When the time is elapsed, the warming timer beeps and the drawer automatically turns off.

Changing the Warming Timer:

Use the **+** and **-** pads to change the warming timer.

Sabbath Mode

The Sabbath Feature enables those of particular faiths to use their warming drawers on the Sabbath.

- The warming drawer is set to run for 74 hours before automatically turning off.
- While operating in Sabbath Mode, the display will show **SAb**.
- The warming timer cannot be changed once the Sabbath Mode is set.
- Press **ON/OFF** at any time during Sabbath mode to end the mode and turn off the appliance.

Setting the Sabbath Feature

Press **MED** for five seconds.

Note: Only the MED temperature can be use while in the Sabbath mode. Once the Sabbath mode is set, all buttons are disabled except the **On/Off** button, used to cancel the mode.

Operation



CAUTION:

To maintain food safety, do not leave food in the oven for more than one hour before or after cooking.

IMPORTANT:

Plastic containers or plastic wrap can melt if in direct contact with the drawer or a hot utensil. If it melts onto the drawer, it may not be removable.

Note: Use heat-safe dishes only.

Preheating the Warming Drawer

Preheat the warming drawer when warming food. For best results, preheat for the following times:

LOW: 5 minutes

MED: 10 minutes

HIGH: 15 minutes

PROOF: It is not necessary to preheat the drawer.

Warming Food

1. Press the pad for the desired temperature setting.
2. Set the warming timer.
3. Place cooked, hot food in the drawer.

It is okay to leave food in the cookware it was prepared. Alternatively, you can transfer food to a heat-safe serving dish before placing it in the warming drawer.

Aluminum foil may be used to cover food.

Warming Plates and Bowls

1. Press **LOW**.
2. Set the warming timer.

Proofing

Place dough in desired dish and lightly oil top of dough. Loosely cover with cloth.

1. Press **PROOF**.
2. Set the warming timer.
3. Check dough height. Add time as needed.

Crisping Stale Items

Place food in low sided dishes or pans.

1. Press **LOW**.
2. Preheat for 5 minutes, then place dish in drawer.
3. Set the warming timer.
4. Check crispness after 45 minutes. Add time as needed.

Getting the Most Out of Your Appliance

Temperature Recommendations

Food/Cookware	Level	Moisture Level
Proofing yeast dough	PROOF	moist
Bacon	HIGH	dry
Beef, medium and well done	MED	moist
Beef, rare	LOW	moist
Bread, hard rolls	MED	dry
Bread, soft rolls, coffe cakes	MED	moist
Biscuits	MED	moist
Casseroles	MED	moist
Eggs	MED	moist
Fish, seafood	MED	moist
Fried foods	HIGH	dry
Gravy, cream sauces	MED	moist
Ham	MED	moist
Pancakes	HIGH	moist
Pies, one crust	MED	moist
Pies, two crusts	MED	dry
Pizza	HIGH	moist
Pork	MED	moist
Potatoes, baked	HIGH	moist
Potatoes, mashed	MED	moist
Poultry, roasted	MED	moist
Vegetables	MED	moist
Plates	LOW	dry
Plate of food	MED	moist

Cleaning and Maintenance

Cleaning

Part	Recommendations
Drawer interior (polished stainless steel)	Use dish detergent. Wash, rinse well and dry. For hard water spots or scale, use white vinegar. Apply with a sponge or cloth, rinse, and dry.
Painted surfaces	Use hot soapy water or mild cleaners such as Fantastik® or Formula 409®. Wash, rinse well and dry. Avoid using abrasive cleaning agents, steel wool pads and oven cleaners.
Drawer exterior frame (brushed stainless steel)	Always wipe or rub in the direction of the grain. Clean with a soapy sponge, then rinse and dry, or wipe with Fantastik® or Formula 409® sprayed on a paper towel. Protect and polish with Stainless Steel Magic® and a soft cloth. Remove water spots with a cloth dampened with white vinegar. Use Bar Keeper's Friend® to remove heat discoloration.
Warming Drawer Control	Clean with hot soapy water or apply Fantastik® or Formula 409® to a clean sponge or paper towel and wipe clean. Avoid using abrasive cleaners and scrubbing pads.

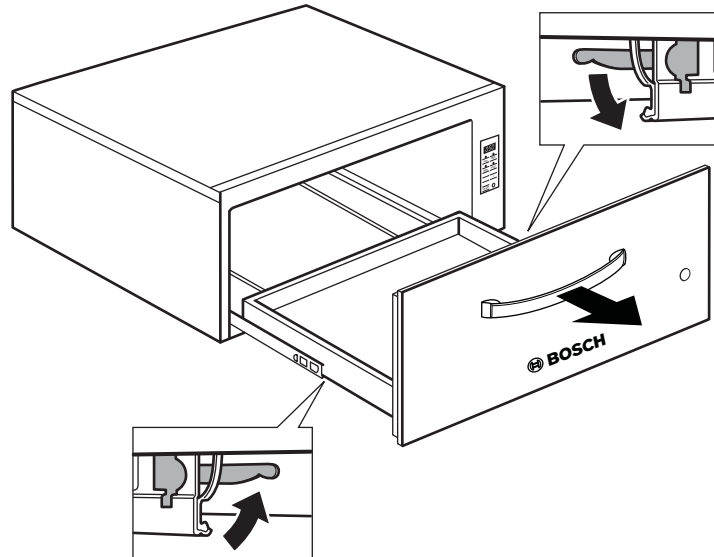
Maintenance

Removing the Drawer



WARNING:

To prevent burns, do not remove drawer while hot. Be sure drawer is empty before removing.



1. Pull drawer to fully open position.
2. Press down right drawer clip.
3. Lift up left drawer clip.
4. Firmly pull the drawer straight out. Retract cabinet rails while drawer is removed.

Replacing the Drawer

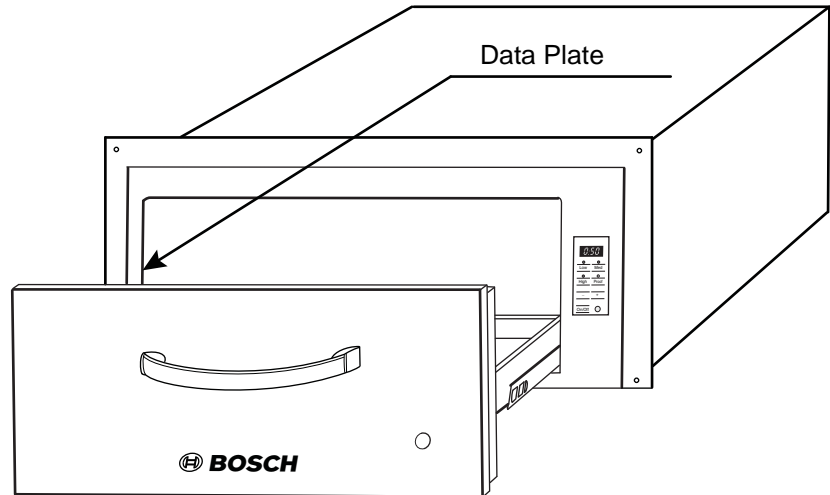
1. Be sure cabinet rails are pushed inside cabinet.
2. Align the drawer rails with the cabinet rails.
3. Firmly push the drawer straight into the cabinet until drawer clicks into place.
4. Open and close drawer to test operation. Note: if the drawer will not close, verify that the rail clips are properly positioned.

Service

To reach a service representative, see the contact information at the front of the manual. Please be prepared with the information printed on your product data plate when calling.

Data Plate

The data plate shows the model and serial number. Refer to the data plate on the appliance when requesting service. The data plate is visible on the left side of the cabinet. It may be necessary to remove the drawer to view it.



STATEMENT OF LIMITED PRODUCT WARRANTY

What this Warranty Covers & Who it Applies to

The limited warranty provided by BSH Home Appliances (“Bosch”) in this Statement of Limited Product Warranty applies only to the Bosch appliance sold to you, the first using purchaser, provided that the Product was purchased:

- For your normal, household (non-commercial) use, and has in fact at all times only been used for normal household purposes.
- New at retail (not a display, "as is", or previously returned model), and not for resale, or commercial use.
- Within the United States or Canada, and has at all times remained within the country of original purchase.

The warranties stated herein apply only to the first purchaser of the Product and are not transferable.

Please make sure to return your registration card; while not necessary to effectuate warranty coverage, it is the best way for Bosch to notify you in the unlikely event of a safety notice or product recall.

How Long the Warranty Lasts

Bosch warrants that the Product is free from defects in materials and workmanship for a period of twelve (12) months from the date of purchase. The foregoing timeline begins to run upon the date of purchase, and shall not be stalled, tolled, extended, or suspended, for any reason whatsoever.

Repair/Replace as Your Exclusive Remedy

During this warranty period, Bosch or one of its authorized service providers will repair your Product without charge to you (subject to certain limitations stated herein) if your Product proves to have been manufactured with a defect in materials or workmanship. If reasonable attempts to repair the Product have been made without success, then Bosch will replace your Product (upgraded models may be available to you, in Bosch's sole discretion, for an additional charge). All removed parts and components shall become the property of Bosch at its sole option. All replaced and/or repaired parts shall assume the identity of the original part for purposes of this warranty and this warranty shall not be extended with respect to such parts. Bosch's sole liability and responsibility hereunder is to repair manufacturer-defective Product only, using a Bosch-authorized service provider during normal business hours. For safety and property damage concerns, Bosch highly recommends that you do not attempt to repair the Product yourself, or use an un-authorized servicer; Bosch will have no responsibility or liability for repairs or work performed by a non-authorized servicer. If you choose to have someone other than an authorized service provider work on your Product, THIS WARRANTY WILL AUTOMATICALLY BECOME NULL AND VOID. Authorized service providers are those persons or companies that have been specially trained on Bosch products, and who possess, in Bosch's opinion, a superior reputation for customer service and technical ability (note that they are independent entities and are not agents, partners, affiliates or representatives of Bosch). Notwithstanding the foregoing, Bosch will not incur any liability, or have responsibility, for the Product if it is located in a remote area (more than 100 miles from an authorized service provider) or is reasonably inaccessible, hazardous, threatening, or treacherous locale, surroundings, or environment; in any such event, if you request, Bosch would still pay for labor and parts and ship the parts to the nearest authorized service provider, but you would still be fully liable and responsible for any travel time or other special charges by the service company, assuming they agree to make the service call.

Out of Warranty Product

Bosch is under no obligation, at law or otherwise, to provide you with any concessions, including repairs, pro-rates, or Product replacement, once this warranty has expired.

Warranty Exclusions

The warranty coverage described herein excludes all defects or damage that are not the direct fault of Bosch, including without limitation, one or more of the following:

- Use of the Product in anything other than its normal, customary and intended manner (including without limitation, any form of commercial use, use or storage of an indoor product outdoors, use of the Product in conjunction with air or water-going vessels).
- Any party's willful misconduct, negligence, misuse, abuse, accidents, neglect, improper operation, failure to maintain, improper or negligent installation, tampering, failure to follow operating instructions, mishandling, unauthorized service (including self-performed "fixing" or exploration of the appliance's internal workings).
- Adjustment, alteration or modification of any kind.
- A failure to comply with any applicable state, local, city, or county electrical, plumbing and/or building codes, regulations, or laws, including failure to install the product in strict conformity with local fire and building codes and regulations.
- Ordinary wear and tear, spills of food, liquid, grease accumulations, or other substances that accumulate on, in, or around the Product.
- Any external, elemental and/or environmental forces and factors, including without limitation, rain, wind, sand, floods, fires, mud slides, freezing temperatures, excessive moisture or extended exposure to humidity, lightning, power surges, structural failures surrounding the appliance, and acts of God.

In no event shall Bosch have any liability or responsibility whatsoever for damage to surrounding property, including cabinetry, floors, ceilings, and other structures or objects around the Product. Also excluded from this warranty are scratches, nicks, minor dents, and cosmetic damages on external surfaces and exposed parts; Products on which the serial numbers have been altered, defaced, or removed; service visits to teach you how to use the Product, or visits where there is nothing wrong with the Product; correction of installation problems (you are solely responsible for any structure and setting for the Product, including all electrical, plumbing or other connecting facilities, for proper foundation/flooring, and for any alterations including without limitation cabinetry, walls, floors, shelving, etc.); and resetting of breakers or fuses.

TO THE EXTENT ALLOWED BY LAW, THIS WARRANTY SETS OUT YOUR EXCLUSIVE REMEDIES WITH RESPECT TO PRODUCT, WHETHER THE CLAIM ARISES IN CONTRACT OR TORT (INCLUDING STRICT LIABILITY, OR NEGLIGENCE) OR OTHERWISE. THIS WARRANTY IS IN LIEU OF ALL OTHER WARRANTIES, WHETHER EXPRESS OR IMPLIED. ANY WARRANTY IMPLIED BY LAW, WHETHER FOR MERCHANTABILITY OR FITNESS FOR A PARTICULAR PURPOSE, OR OTHERWISE, SHALL BE EFFECTIVE ONLY FOR THE PERIOD THAT THIS EXPRESS LIMITED WARRANTY IS EFFECTIVE. IN NO EVENT WILL THE MANUFACTURER BE LIABLE FOR CONSEQUENTIAL, SPECIAL, INCIDENTAL, INDIRECT, "BUSINESS LOSS", AND/OR PUNITIVE DAMAGES, LOSSES, OR EXPENSES, INCLUDING WITHOUT LIMITATION TIME AWAY FROM WORK, HOTELS AND/OR RESTAURANT MEALS, REMODELLING EXPENSES IN EXCESS OF DIRECT DAMAGES WHICH ARE DEFINITELY CAUSED EXCLUSIVELY BY BOSCH, OR OTHERWISE. SOME STATES DO NOT ALLOW THE EXCLUSION OR LIMITATION OF INCIDENTAL OR CONSEQUENTIAL DAMAGES, AND SOME STATES DO NOT ALLOW LIMITATIONS ON HOW LONG AN IMPLIED WARRANTY LASTS, SO THE ABOVE LIMITATIONS MAY NOT APPLY TO YOU. THIS WARRANTY GIVES YOU SPECIFIC LEGAL RIGHTS, AND YOU MAY ALSO HAVE OTHER RIGHTS WHICH VARY FROM STATE TO STATE.

No attempt to alter, modify or amend this warranty shall be effective unless authorized in writing by an officer of BSH.

Table des matières

À propos de ce manuel	1
Comment ce manuel est organisé	1
Sécurité	2
Consignes de sécurité importantes	2
Démarrage	5
Pièces	5
Fonctionnement	7
À propos de l'appareil	7
Fonctionnalités	7
Fonctionnement	7
Tirer le meilleur parti de votre appareil	9
Nettoyage et entretien	10
Nettoyage	10
Entretien	11
Dépose du tiroir	11
Remise en place du tiroir	11
Dépannage	12
Plaque signalétique	12
ÉNONCÉ DE GARANTIE LIMITÉE DU PRODUIT	13

Cet appareil électroménager de Bosch est fait par
BSH Home Appliances Corporation
1901 Main Street, Suite 600
Irvine, CA 92614

Questions ?

1-800-944-2904

www.boschappliances.com

Nous attendons de vos nouvelles !

À propos de ce manuel

Comment ce manuel est organisé

Ce manuel contient plusieurs sections :

- La section *Sécurité* décrit des procédures importantes qui visent à assurer votre sécurité pendant l'utilisation de l'appareil.
- La section *Démarrage* décrit les caractéristiques et fonctionnalités de l'appareil et comprend une description de son installation et fonctionnement.
- La section *Fonctionnement* décrit comment actionner et obtenir le meilleur rendement de chaque composant.
- La section *Nettoyage et Entretien* décrit la façon de nettoyer et d'entretenir l'appareil.
- La section *Dépannage* comprend les conseils de dépannage et la garantie.

Avant d'utiliser l'appareil, prière de lire attentivement ce manuel. Prêter une attention toute particulière aux *Instructions de sécurité importantes* situées au début du manuel.

Sécurité



Consignes de sécurité importantes

LIRE ET CONSERVER CES CONSIGNES



AVERTISSEMENT :

Votre nouvel appareil a été conçu pour un fonctionnement sûr et fiable si vous en prenez bien soin. Lire attentivement toutes les consignes avant l'emploi. Ces précautions réduiront les risques de brûlures, de choc électrique, d'incendie et de lésions corporelles. Lors de l'utilisation d'appareils de cuisine, il est impératif de respecter les mesures de sécurité élémentaires, y compris celles figurant aux pages suivantes.

Installation et entretien corrects

Demander à l'installateur de vous indiquer l'emplacement du coupe-circuit ou du fusible. Identifier sa position pour pouvoir le retrouver facilement plus tard.

L'installation et la mise à la terre correctes de cet appareil doivent être effectuées par un technicien qualifié. Brancher uniquement l'appareil sur une prise correctement reliée à la terre. Pour plus de renseignements, se reporter à la Notice d'installation.

Cet appareil est destiné à un usage domestique familial normal uniquement. Il n'est pas autorisé pour un usage en extérieur. Voir *la garantie*. Pour toute question, contacter le fabricant.

Ne pas entreposer ni utiliser de produits chimiques corrosifs, vapeurs, substances inflammables ou produits non alimentaires à l'intérieur ou à proximité de cet appareil. Celui-ci a été spécialement conçu lors du réchauffage et de la cuisson des aliments. L'emploi de produits chimiques corrosifs pour chauffer ou nettoyer l'appareil endommagera ce dernier et peut entraîner des blessures.

Ne pas se servir de cet appareil s'il ne fonctionne pas correctement ou s'il est endommagé. Communiquer avec un centre de réparation autorisé.

Ne pas réparer ni remplacer des pièces de l'appareil à moins que cela ne soit expressément recommandé dans ce manuel. Confier l'entretien de l'appareil à un centre de dépannage agréé.

Sécurité-incendie

Si des matériaux s'enflamment à l'intérieur d'un four, ne pas ouvrir la porte. Mettre l'appareil hors tension et débrancher le circuit électrique au boîtier de disjoncteurs.

L'appareil doit être utilisé uniquement pour l'usage auquel il est destiné comme décrit dans ce manuel. Par exemple, ne jamais utiliser l'appareil pour réchauffer ou chauffer une pièce. Ne jamais utiliser l'appareil pour entreposer quoi que ce soit.

Toujours avoir un détecteur de fumée qui fonctionne près de la cuisine.

Si les cheveux ou les vêtements s'enflamment, se laisser tomber au sol et se rouler immédiatement par terre pour éteindre les flammes.

Pour éteindre les flammes d'un incendie provoqué par des aliments autre qu'un incendie de graisse, utiliser du bicarbonate de soude. Ne jamais utiliser d'eau.



Consignes de sécurité importantes

LIRE ET CONSERVER CES CONSIGNES

Prévention des brûlures

Faire attention en ouvrant la porte de l'appareil. Se tenir sur le côté, ouvrir la porte lentement et légèrement pour laisser l'air chaud et/ou la vapeur s'échapper. Éloigner le visage de l'ouverture et s'assurer que les enfants et animaux sont loin de l'appareil. Une fois la vapeur et l'air chaud échappés, continuer la cuisson. Garder les portes fermées sauf pour la cuisson ou le nettoyage. Ne pas laisser les portes ouvertes sans surveillance.

Ne pas chauffer ou réchauffer des contenants d'aliments non ouverts. L'accumulation de pression peut faire exploser le contenant et provoquer des blessures.

Toujours utiliser des poignées isolantes sèches. Des poignées mouillées ou humides entrant en contact avec les surfaces chaudes peuvent provoquer des blessures par dégagement de vapeur. Ne pas laisser les poignées entrer en contact avec les résistances chaudes. Ne pas utiliser de serviette ni de chiffon volumineux.

Ne pas toucher la surface intérieure du tiroir pendant qu'il est en fonctionnement. L'intérieur du tiroir peut devenir suffisamment chaud pour provoquer des brûlures. Laisser refroidir le tiroir et la grille (s'il en est doté) avant de les manipuler.

AVERTISSEMENT :

Pour éviter les brûlures, ne pas retirer le tiroir pendant qu'il est encore chaud. Avant de retirer le tiroir, s'assurer qu'il est vide.

Attacher les vêtements lâches, etc. avant de commencer. Attacher les cheveux longs de façon à ce qu'ils ne pendent pas et ne pas porter de vêtements lâches ou d'habits ou objets qui pendillent, tels que cravates, foulards, bijoux ou manches.

Sécurité des enfants

Ne laisser personne grimper, se tenir debout, s'appuyer, s'asseoir ou se pendre à toute partie de l'appareil, en particulier la porte, le tiroir-réchaud ou le tiroir de rangement. Ceci peut endommager l'appareil, le faire basculer et provoquer potentiellement des blessures sérieuses.

Ne pas laisser les enfants utiliser cet appareil sans l'étroite surveillance d'un adulte. Enfants et animaux ne doivent pas être laissés seuls ou sans surveillance à l'endroit où l'on utilise l'appareil. Ne pas laisser les enfants jouer à proximité de l'appareil que celui-ci soit en fonctionnement ou non.

ATTENTION :

les articles d'intérêt pour les enfants ne doivent pas être rangés dans un appareil électroménager, dans les armoires au-dessus de l'appareil ou sur le dossier. Un enfant qui grimpe sur l'appareil pour prendre ces objets peut se blesser sérieusement.

Sécurité concernant la batterie de cuisine

ATTENTION :

Les contenants en plastique ou le film étirable peuvent fondre s'il sont mis directement en contact avec le tiroir ou un ustensile chaud. S'ils fondent dans le tiroir, il peut être impossible de les enlever.



Consignes de sécurité importantes

LIRE ET CONSERVER CES CONSIGNES

Sécurité alimentaire

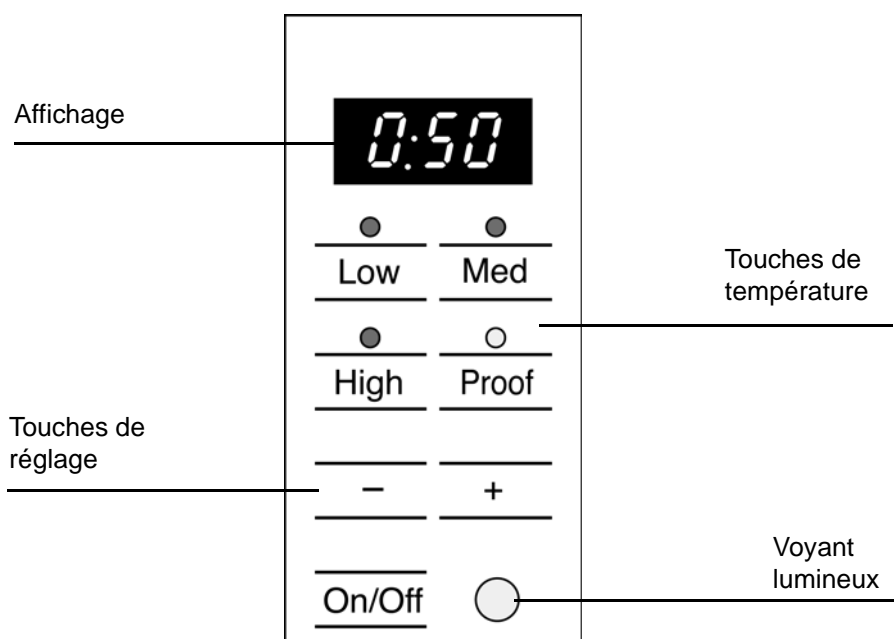
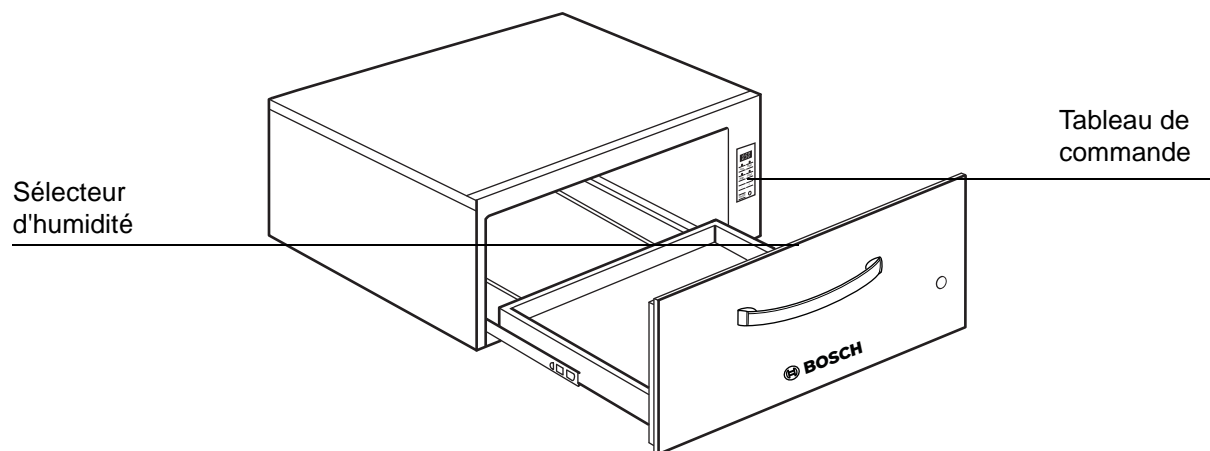
ATTENTION :

Pour assurer la sécurité alimentaire, suivre les consignes suivantes :

1. NE PAS utiliser le tiroir-réchaud pour faire chauffer de la nourriture froide (exception : le tiroir peut être utilisé en toute sécurité pour redonner leur croustillant aux biscuits salés, chips et céréales sèches et pour faire chauffer les assiettes).
2. S'assurer de maintenir les aliments à la température adéquate. L'USDA recommande de maintenir les aliments chauds à 140 °F (60 °C) ou plus.
3. NE PAS maintenir des aliments au chaud pendant plus d'une heure.

Démarrage

Pièces



Touche ON/OFF

Utiliser cette touche pour allumer et éteindre le tiroir-réchaud.

Voyant lumineux

Le voyant lumineux s'allume lorsque le tiroir est en fonctionnement.

Signal sonore

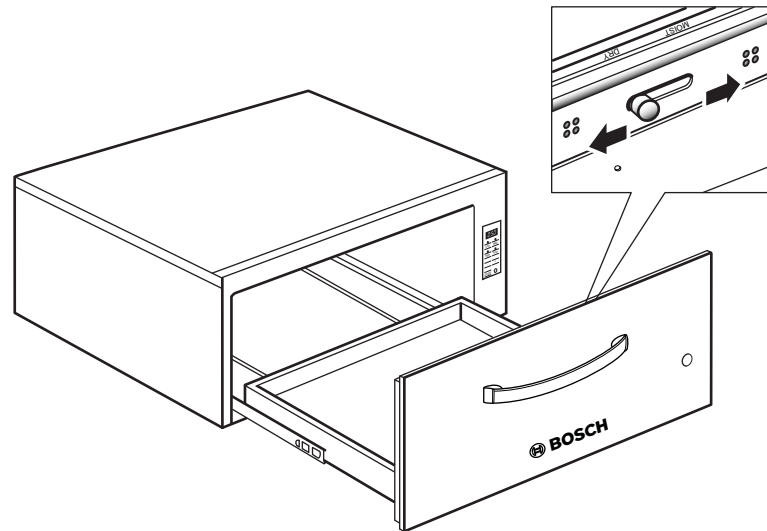
Le panneau de commande émet un signal sonore pour confirmer une entrée. La minuterie de chauffage émet un signal sonore lorsque le temps est écoulé.

Touches de température

Les touches de température contrôlent la température du fond du tiroir.

Réglage	Température du tiroir
LOW	140 °F (60 °C)
MED (Medium)	165 °F (73,8 °C)
HIGH	190 °F (87,7 °C)
PROOF	100 °F (37,7 °C)

Sélecteur d'humidité



Pour garder les aliments humides :

Faire glisser le bouton situé à l'intérieur du tiroir en direction de « **Moist** » (Humide). Ceci a pour effet de fermer les ouvertures d'aération et emprisonne l'humidité à l'intérieur du tiroir. Lorsque les ouvertures d'aération sont fermées, le tiroir est complètement scellé, ce qui permet aux aliments chauds de rester tendres et moelleux.

Pour garder les aliments croustillants :

Faire glisser le bouton situé à l'intérieur du tiroir en direction de « **Dry** » (Sec). Ceci a pour effet d'ouvrir les ouvertures d'aération et permet à l'humidité de s'échapper.

Fonctionnement

À propos de l'appareil

Le tiroir-réchaud conserve les aliments cuits et chauds à la température de service. Toujours utiliser des aliments déjà chauds au départ. NE PAS utiliser pour réchauffer des aliments froids sauf pour faire lever les pâtes à base de levure, pour redonner leur croustillant aux biscuits salés, chips et céréales sèches ou pour faire chauffer les assiettes ou les plats à servir.

Fonctionnalités

Minuterie de chauffage

La minuterie de chauffage peut être programmée par incrément de 5 minutes. La durée minimale est de 5 minutes et la durée maximale est de 5 heures.

Remarque : Minuterie de chauffage par défaut : une heure.

Lorsque la durée est écoulée, la minuterie émet un signal sonore et le tiroir s'éteint automatiquement.

Modification de la minuterie de chauffage :

Utiliser les touches **+** et **-** pour modifier la minuterie.

Mode Sabbat

La fonction Sabbat permet aux personnes de cette religion d'utiliser le tiroir-réchaud pendant le Sabbat.

- Le tiroir-réchaud peut être ajusté pour fonctionner pendant 74 heures avant de s'éteindre automatiquement.
- Lorsqu'il fonctionne en Mode Sabbat, l'écran affiche **SAb**.
- Une fois le Mode Sabbat réglé, la minuterie de chauffage ne peut plus être modifiée.
- Appuyer sur **ON/OFF** à n'importe quel moment pendant le Mode Sabbat pour désactiver le mode et éteindre l'appareil.

Réglage de la Fonction Sabbat

Appuyer sur **MED** pendant cinq secondes.

Remarque : Seule la température MED peut être utilisée lorsqu'en mode sabbat. Une fois que le mode sabbat est ajusté, tous les boutons sont mis hors fonction sauf l'interrupteur de courant, qui sert à annuler le mode.

Fonctionnement



ATTENTION :

Pour des raisons de sécurité alimentaire, ne pas laisser les aliments à l'intérieur du four pendant plus d'une heure avant ou après la cuisson.

IMPORTANT :

Les contenants en plastique ou le film étirable peuvent fondre s'ils sont mis directement en contact avec le tiroir ou un ustensile chaud. S'ils fondent dans le tiroir, il peut être impossible de les enlever.

Remarque : Utiliser uniquement des plats résistants à la chaleur.

Préchauffer le tiroir-réchaud

Avant de réchauffer les aliments, préchauffer le tiroir-réchaud. Pour obtenir de meilleurs résultats, utiliser les durées de préchauffage suivantes :

LOW : 5 minutes

MED : 10 minutes

HIGH : 15 minutes

PROOF : Il n'est pas nécessaire de préchauffer le tiroir.

Réchauffer les aliments

1. Appuyer sur une touche pour sélectionner la température désirée.
2. Régler la minuterie de chauffage
3. Placer les aliments cuits et chauds dans le tiroir.

Vous pouvez les laisser dans le plat de cuisson initial. Sinon, vous pouvez transvaser les aliments dans un plat à servir résistant à la chaleur avant de les placer dans le tiroir.

Vous pouvez utiliser du papier d'aluminium pour couvrir les aliments.

Réchauffage des assiettes et des bols

1. Appuyer sur **LOW**.
2. Régler la minuterie de chauffage.

Apprêt

Placer la pâte dans le plat désiré et huiler légèrement le dessus. Recouvrir grossièrement d'un chiffon.

1. Appuyer sur **PROOF**.
2. Régler la minuterie de chauffage.
3. Vérifier le volume de la pâte. Prolonger la durée si nécessaire.

Redonner leur croustillant aux aliments rassis

Placer les aliments dans des plats ou casseroles peu profonds.

1. Appuyer sur **LOW**.
2. Préchauffer pendant 5 minutes, puis placer le plat dans le tiroir.
3. Régler la minuterie de chauffage.
4. Vérifier l'aspect croustillant des aliments au bout de 45 minutes. Prolonger la durée si nécessaire.

Tirer le meilleur parti de votre appareil

Recommandations concernant la température

Aliments/Batterie de cuisine	Niveau	Niveau d'humidité
Apprêt de la pâte à base de levure	PROOF	humide
Bacon	HIGH	sec
Bœuf, à point et bien cuit	MED	humide
Bœuf, saignant	LOW	humide
Pain, petits pains durs	MED	sec
Pain, petits pain mollets, gâteaux danois	MED	humide
Pain au lait	MED	humide
Ragoûts	MED	humide
Oeufs	MED	humide
Poisson, fruits de mer	MED	humide
Aliments frits	HIGH	sec
Sauce au jus, sauces blanches	MED	humide
Jambon	MED	humide
Pancakes	HIGH	humide
Tartes, un fond	MED	humide
Tartes, deux fonds	MED	sec
Pizza	HIGH	humide
Porc	MED	humide
Pommes de terre, au four	HIGH	humide
Pommes de terre, en purée	MED	humide
Volaille, rôtie	MED	humide
Légumes	MED	humide
Assiettes	LOW	sec
Assiette de nourriture	MED	humide

Nettoyage et entretien

Nettoyage

Pièce	Recommandations
L'intérieur du tiroir (acier inoxydable poli)	Utiliser un liquide vaisselle. Laver et rincer soigneusement et sécher. Pour les taches d'eau dure ou le tartre, utiliser du vinaigre blanc. Appliquer avec une éponge ou un chiffon, rincer et sécher.
Surfaces peintes	Utiliser de l'eau savonneuse chaude ou des détergents doux tels que Fantastik® ou Formula 409®. Laver, bien rincer et sécher. Éviter les agents nettoyants abrasifs, les tampons métalliques et les produits à nettoyer les fours.
Châssis extérieur du tiroir (acier inoxydable brossé)	Toujours essuyer ou frotter dans le sens du grain. Nettoyer avec une éponge savonneuse puis rincer et sécher, ou essuyer avec du Fantastik® ou du Formula 409® vaporisé sur du papier essuie-tout. Protéger et polir en utilisant du Stainless Steel Magic® et un chiffon doux. Enlever les traces d'eau avec un chiffon humide imprégné de vinaigre blanc. Utiliser Bar Keeper's Friend® pour éliminer la décoloration due à la chaleur.
Commande du tiroir-réchaud	Nettoyer avec de l'eau savonneuse chaude ou déposer du Fantastik® ou Formula 409® sur une éponge propre ou du papier essuie-tout et essuyer. Éviter d'employer des détergents abrasifs ou des tampons à récurer.

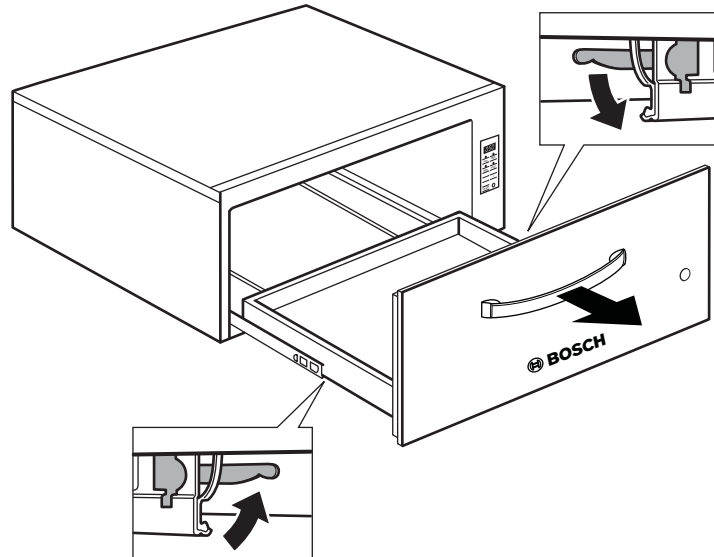
Entretien

Dépose du tiroir



AVERTISSEMENT :

Pour éviter les brûlures, ne pas retirer le tiroir pendant qu'il est encore chaud. Avant de retirer le tiroir, s'assurer qu'il est vide.



1. Ouvrir le tiroir au maximum.
2. Appuyer sur l'agrafe droite du tiroir.
3. Soulever l'agrafe gauche du tiroir.
4. Tirer fermement le tiroir vers soi. Faire rentrer les rails de l'armoire lorsque le tiroir est retiré.

Remise en place du tiroir

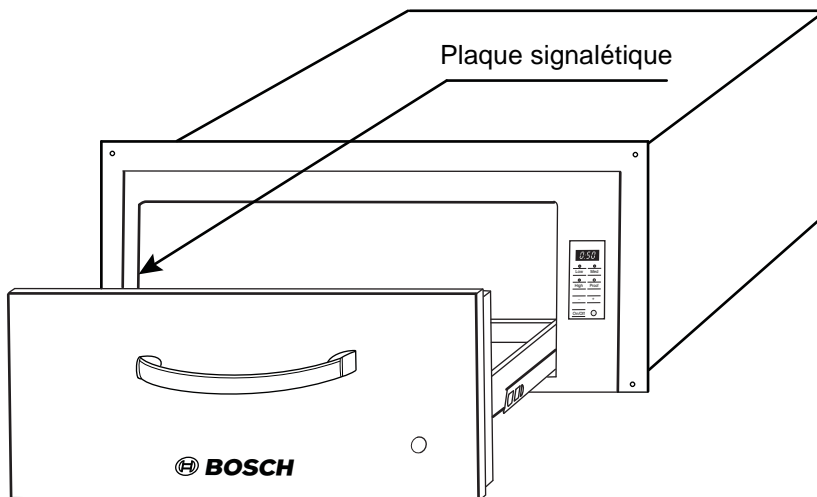
1. S'assurer que les rails de l'armoire sont repoussés à l'intérieur de celle-ci.
2. Aligner les rails du tiroir avec ceux de l'armoire.
3. Pousser fermement le tiroir tout droit dans l'armoire jusqu'à ce qu'il s'enclenche.
4. Ouvrir et fermer le tiroir pour vérifier son fonctionnement. Remarque : si le tiroir ne se ferme pas, vérifier que les agrafes des rails sont dans la bonne position.

Dépannage

Pour contacter un technicien de dépannage, voir les coordonnées sur la couverture avant du manuel. Lorsque vous téléphonez, soyez prêt à fournir les informations imprimées sur la plaque signalétique de votre produit.

Plaque signalétique

La plaque signalétique comporte le numéro de modèle et le numéro de série. Se reporter à la plaque signalétique de l'appareil électroménager pour faire une demande de dépannage. La plaque signalétique se trouve sur le côté gauche de l'armoire. Ce peut être nécessaire d'enlever le tiroir pour le voir.



ÉNONCÉ DE GARANTIE LIMITÉE DU PRODUIT

Couverture de la garantie et à qui elle s'applique

La garantie limitée fournie par BSH Home Appliances ("Bosch") dans le présent énoncé de garantie limitée du produit s'applique seulement à l'appareil Bosch qui vous est vendu, le premier acheteur à l'utiliser, à la condition que le produit ait été acheté :

- pour votre usage domestique (non commercial) normal et qu'il ait effectivement, en tout temps, été utilisé à des fins domestiques normales ;
- à l'état neuf au détail (et non comme un modèle d'exposition "en l'état", ou modèle préalablement retourné), et non pour la revente ou l'utilisation commerciale ;
- aux États-Unis ou au Canada, et qu'il soit en tout temps demeuré dans le pays de l'achat d'origine.

Les garanties énoncées aux présentes s'appliquent seulement au premier acheteur du produit et ne sont pas cessibles.

S'assurer de retourner la carte d'enregistrement ; quoique non nécessaire pour que la couverture de la garantie prenne effet, elle constitue le meilleur moyen pour Bosch de vous prévenir dans l'éventualité improbable d'un avis de sécurité ou d'un rappel de produit.

Durée de la garantie

Bosch garantit que le produit est exempt de défaut de matière ou de fabrication pendant une période de douze (12) mois à compter de la date d'achat. Cette période commence à courir à partir de la date d'achat et ne sera pas retardée, restreinte, prolongée ni suspendue pour quelque raison que ce soit.

La réparation ou le remplacement du produit comme recours exclusif

Pendant cette période de garantie, Bosch ou l'un de ses prestataires de services agréés réparera le produit sans frais de votre part (sous réserve de certaines limitations énoncées aux présentes) s'il s'avère que la fabrication de votre produit présente un défaut de matière ou de fabrication. Si des tentatives raisonnables de réparation du produit ont été faites sans succès, alors Bosch remplacera le produit (des modèles mis à niveau peuvent être mis à votre disposition), à la seule discrétion de Bosch, moyennant des frais supplémentaires). Tout composant ou pièce enlevés deviennent la propriété de Bosch, à sa seule option. Toute pièce remplacée et/ou réparée doit assumer l'identité de la pièce d'origine aux fins de la présente garantie, et cette dernière ne sera pas prolongée au regard de ces pièces. La seule obligation et responsabilité de Bosch en vertu des présentes est de réparer seulement le produit présentant un défaut de fabrication, par l'entremise d'un prestataire de services agréé Bosch aux heures normales de travail. Pour des questions de sécurité et de dommages à la propriété, Bosch recommande vivement de ne pas tenter de réparer soi-même le produit, ni d'utiliser un service de réparation non autorisé. Bosch décline toute responsabilité pour les réparations ou le travail effectués par un service de réparation non autorisé. Si vous choisissez de faire réparer le produit par une personne autre qu'un prestataire de services agréé, CETTE GARANTIE DEVIENDRA AUTOMATIQUEMENT NULLE ET NON AVENUE. Les prestataires de services agréés sont des personnes ou des compagnies qui ont été spécialement formées pour les produits Bosch et qui possèdent, de l'avis de Bosch, une excellente réputation pour le service à la clientèle et des aptitudes techniques (il est à noter qu'il s'agit d'entités indépendantes et non des agents, partenaires, affiliés ou représentants de Bosch). Néanmoins, Bosch n'assumera aucune responsabilité ou obligation à l'égard du produit s'il est situé dans une région éloignée (plus de 100 miles (160,9 km) d'un prestataire de services agréé) ou s'il est raisonnablement inaccessible ou à un endroit, dans une zone ou dans un environnement dangereux, menaçants ou hasardeux ; dans un tel cas, si vous en faites la demande, Bosch pourrait payer les frais de main-d'œuvre et de pièce et expédier les pièces au prestataire de service agréé le plus proche, mais vous seriez quant même entièrement responsable pour

tout déplacement ou autres frais spéciaux requis par le service de réparation, à supposer qu'il accepte d'effectuer un appel de service.

Produit hors garantie

Bosch n'est nullement tenu, en droit ou autrement, de vous offrir toute concession, y compris réparations, tarifs proportionnels ou remplacement de produit, une fois la garantie expirée.

Exclusions de la garantie

La couverture de garantie décrite aux présentes exclut tout défaut ou dommage qui n'est pas une faute directe de Bosch, y compris sans limitation, un ou plusieurs des cas suivants :

- utilisation du produit d'une façon autre que normale, habituelle et prévue (y compris, sans limitation, toute forme d'utilisation commerciale, utilisation ou rangement d'un produit pour l'intérieur à l'extérieur, utilisation du produit avec des aéronefs ou bateaux quels qu'ils soient) ;
- mauvaise conduite volontaire de toute partie, conduite négligente, mauvaise utilisation, abus, accidents, négligence, exploitation irrégulière, manquement à l'entretien, installation inadéquate ou négligée, altération, manquement à observer les instructions de fonctionnement, manipulation sans précaution, service non autorisé (y compris le "bricolage" fait soi-même ou l'exploration du fonctionnement interne de l'appareil).
- réglage, altération ou modification de toute sorte ;
- manquement à se conformer à tous les codes électriques, de plomberie et/ou de construction de l'état, locaux, municipaux ou du comté, règlements ou lois en vigueur, y compris le manquement à installer le produit strictement en conformité avec les codes et règlements d'incendie et de construction ;
- usure et détérioration normales, déversements d'aliments, liquides, accumulation de graisse, ou autres substances accumulées sur, dans ou autour du produit ;
- et toute force et facteur externes, élémentaires et/ou environnementaux, y compris sans limitation, pluie, vent, sable, inondation, incendie, glissement de terrain, gel, humidité excessive ou exposition prolongée à l'humidité, foudre, surtension, défauts de structure environnante de l'appareil, et catastrophes naturelles.

En aucun cas Bosch n'assumera la moindre responsabilité pour des dommages survenus à la propriété environnante, y compris armoires, planchers, plafonds et autres structures ou objets autour du produit. Également exclus de la garantie sont les égratignures, éraflures, encoches mineures et dommages esthétiques sur les surfaces externes et les pièces exposées ; les produits dont les numéros de série ont été modifiés, effacés ou enlevés ; les visites de service pour montrer au client comment utiliser le produit ou les visites alors que le produit ne présente aucun problème ; la correction de problèmes d'installation (vous êtes entièrement responsable de toute structure et réglage du produit, y compris électricité, plomberie ou autres services utilitaires, pour un plancher/fondation appropriés et pour toute modification y compris sans limitation armoires, murs, planchers, étagères, etc.) ; et remise en fonction des coupe-circuits ou fusibles.

DANS LA MESURE OU LA LOI LE PERMET, LA PRÉSENTE GARANTIE ÉNONCE VOS RECOURS EXCLUSIFS À L'ÉGARD DU PRODUIT, QUE LA RÉCLAMATION SOIT DE NATURE CONTRACTUELLE OU DÉLICTEUELLE (Y COMPRIS LA RESPONSABILITÉ ABSOLUE OU LA NÉGLIGENCE) OU AUTRE. LA PRÉSENTE GARANTIE REMPLACE TOUTES LES AUTRES GARANTIES, EXPRESSES OU IMPLICITES. TOUTE GARANTIE IMPLICITE EN VERTU DE LA LOI, QUE CE SOIT À DES FINS DE QUALITÉ MARCHANDE OU D'ADAPTATION À UN BUT PARTICULIER, OU AUTREMENT, EST EN VIGUEUR UNIQUEMENT PENDANT LA PÉRIODE AU COURS DE LAQUELLE LA PRÉSENTE GARANTIE LIMITÉE EXPRESSE EST EN VIGUEUR. LE FABRICANT NE SERA EN AUCUN CAS RESPONSABLE DES DOMMAGES, PERTES OU FRAIS CONSÉCUTIFS,

PARTICULIERS, ACCESSOIRES, INDIRECTS, ET/OU PUNITIFS, DES PERTES COMMERCIALES, Y COMPRIS, NOTAMMENT, LE TEMPS D'ABSENCE AU TRAVAIL, L'HÉBERGEMENT ET/OU LES REPAS AU RESTAURANT, LES FRAIS DE REMANIEMENT EN EXCÉDENT DES DOMMAGES DIRECTS QUI SONT MANIFESTEMENT CAUSÉS EXCLUSIVEMENT PAR BOSCH OU AUTREMENT. CERTAINS ÉTATS NE PERMETTENT PAS L'EXCLUSION OU LA LIMITATION DES DOMMAGES ACCESSOIRES OU INDIRECTS ET CERTAINS ÉTATS NE PERMETTENT PAS LA LIMITATION SUR LA DURÉE D'UNE GARANTIE IMPLICITE, DE SORTE QUE LES LIMITATIONS CI-DESSUS PEUVENT NE PAS S'APPLIQUER À VOTRE CAS. LA PRÉSENTE GARANTIE VOUS DONNE DES DROITS JURIDIQUES SPÉCIFIQUES ET VOUS POUVEZ AVOIR ÉGALEMENT D'AUTRES DROITS QUI VARIENT D'UN ÉTAT À L'AUTRE.

Aucune tentative d'altérer, de modifier ou d'amender la présente garantie ne peut être effective à moins d'une autorisation écrite par un représentant de BSH.

Contenidos

Acerca de este manual	1
Cómo se organiza este manual	1
Seguridad	2
Instrucciones de seguridad importantes	2
Cómo comenzar	5
Piezas	5
Operación	7
Acerca del electrodoméstico	7
Funciones	7
Operación	7
Cómo aprovechar al máximo su electrodoméstico ..	9
Limpieza y mantenimiento	11
Limpieza	11
Mantenimiento	12
Para retirar el cajón	12
Cambiar el cajón	12
Servicio técnico	13
Placa de datos	13
DECLARACIÓN DE GARANTÍA LIMITADA DEL PRODUCTO	14

Este electrodomestico de Bosch es hecho por
BSH Home Appliances Corporation
1901 Main Street, Suite 600
Irvine, CA 92614

¿Preguntas?

1-800-944-2904

www.boschappliances.com

¡Esperamos oír de usted!

Acerca de este manual

Cómo se organiza este manual

Este manual contiene diversas secciones:

- La sección *Seguridad* describe los procedimientos importantes que pueden garantizarle su seguridad mientras usa el electrodoméstico.
- La sección *Cómo comenzar* describe las características y la funcionalidad del electrodoméstico, e incluye una descripción de su configuración y operación.
- La sección *Operación* describe cómo operar cada componente y aprovechar al máximo su rendimiento.
- La sección *Limpieza y mantenimiento* describe cómo limpiar y mantener el electrodoméstico.
- La sección *Servicio técnico* incluye consejos para resolver los problemas y la garantía.

Antes de usar el electrodoméstico, asegúrese de leer este manual. Preste especial atención a las *Instrucciones de seguridad importantes* que se encuentran al comienzo del manual.

Seguridad



Instrucciones de seguridad importantes

LEA Y CONSERVE ESTAS INSTRUCCIONES



ADVERTENCIA:

Su nuevo electrodoméstico ha sido diseñado para ser seguro y confiable si recibe el cuidado adecuado. Lea atentamente todas las instrucciones antes de usarlo. Estas precauciones reducirán el riesgo de quemaduras, descarga eléctrica, incendio y lesiones a personas: Al utilizar electrodomésticos de cocina, se deben tomar precauciones de seguridad básicas, incluidas las que se encuentran en las páginas siguientes.

Instalación y mantenimiento adecuados

Pídale al instalador que le muestre la ubicación del disyuntor o el fusible. Márquela para recordarla más fácilmente.

Este electrodoméstico debe ser correctamente instalado y conectado a tierra por un técnico calificado. Conéctelo sólo a una toma de corriente eléctrica correctamente conectada a tierra. Para obtener más información, consulte las Instrucciones de instalación.

Este electrodoméstico ha sido diseñado para el uso doméstico normal de una familia únicamente. No está aprobado para uso en exteriores. Consulte *la garantía*. Si tiene alguna pregunta, comuníquese con el fabricante.

No almacene ni utilice productos químicos corrosivos, vapores, materiales inflamables ni productos no alimenticios dentro de este electrodoméstico ni cerca de él. Está específicamente diseñado para usarlo al calentar o cocinar alimentos. El uso de productos químicos corrosivos al calentar o limpiar dañará el electrodoméstico y podría causar lesiones.

No utilice este electrodoméstico si no funciona correctamente o si ha sido dañado. Comuníquese con un centro de servicio técnico autorizado.

No repare ni cambie ninguna parte del electrodoméstico, a menos que se recomiende específicamente en este manual. Remita todas las reparaciones a un centro de servicio técnico autorizado por la fábrica.

Seguridad para evitar incendios

Si los materiales que están dentro del horno se prenden fuego, mantenga la puerta cerrada. Apague el electrodoméstico y desconecte el circuito en la caja de disyuntores.

Utilice este electrodoméstico únicamente para el fin para el cual fue diseñado, según se describe en este manual. Por ejemplo, nunca utilice el electrodoméstico para calentar o calefaccionar la habitación. Nunca utilice el electrodoméstico para almacenar objetos.

Siempre tenga un detector de humo en funcionamiento cerca de la cocina.

En el caso de que su ropa o cabello se prendan fuego, arrójese al piso y ruede de inmediato para extinguir las llamas.



Instrucciones de seguridad importantes

LEA Y CONSERVE ESTAS INSTRUCCIONES

Sofoque las llamas provocadas por alimentos que se prenden fuego, que no sean incendios ocasionados por grasa, con bicarbonato de sodio. Nunca use agua en incendios ocasionados al cocinar.

Prevención de quemaduras

Tenga cuidado al abrir el electrodoméstico. Parado a un lado, abra la puerta lenta y ligeramente para dejar escapar el aire caliente y/o el vapor. Mantenga la cara lejos de la abertura y asegúrese de que no haya niños ni mascotas cerca de la unidad. Después de liberar el aire caliente y/o el vapor, continúe con la cocción. Mantenga las puertas cerradas, a menos que sea necesario a efectos de la cocción o limpieza. No deje las puertas abiertas sin vigilancia.

No caliente recipientes de alimentos sin abrir. La acumulación de presión puede hacer explotar el recipiente y causar lesiones.

Siempre use agarradores secos. Los agarradores húmedos o mojados sobre las superficies calientes pueden ocasionar quemaduras por vapor. No deje que los agarradores toquen los elementos de calentamiento que estén calientes. No use toallas ni otros paños gruesos.

No toque la superficie interior del cajón cuando esté en uso. La temperatura del interior del cajón podría ocasionar quemaduras. Deje enfriar el cajón y el rack (si hubiera) antes de manipularlos.

ADVERTENCIA:

Para prevenir quemaduras, no retire el cajón mientras está caliente. Asegúrese de que el cajón esté vacío antes de retirarlo.

Sujétese todas las prendas holgadas, etc. antes de comenzar. Sujétese el cabello largo de manera que no quede suelto, y no use prendas holgadas o sueltas, como corbatas, bufandas, joyas o mangas sueltas.

Seguridad de los niños

No permita que nadie se suba, pare, incline, sienta o cuelgue de ninguna parte de un electrodoméstico, especialmente una puerta, un cajón calentador o un cajón para almacenamiento. Esto puede dañar el electrodoméstico, y la unidad puede caerse y, posiblemente, causar lesiones graves.

No permita que los niños utilicen este electrodoméstico, a menos que sean supervisados de cerca por un adulto. Los niños y las mascotas no deben quedar solos o sin vigilancia en el área donde se utilice el electrodoméstico. Nunca se les debe permitir jugar cerca del electrodoméstico, independientemente de que esté en funcionamiento o no.

PRECAUCIÓN:

Los objetos de interés para niños no deben almacenarse en un electrodoméstico, en gabinetes que estén sobre un electrodoméstico ni en la placa antisalpicaaduras. Si los niños se suben a un electrodoméstico para alcanzar estos objetos, podrían sufrir lesiones graves.



Instrucciones de seguridad importantes

LEA Y CONSERVE ESTAS INSTRUCCIONES

Seguridad en los utensilios de cocina

PRECAUCIÓN:

Los recipientes de plástico o las envolturas de plástico pueden derretirse si entran en contacto directo con el cajón o con un utensilio caliente. Si se derrite en el cajón, es posible que no se pueda retirar.

Seguridad de los alimentos

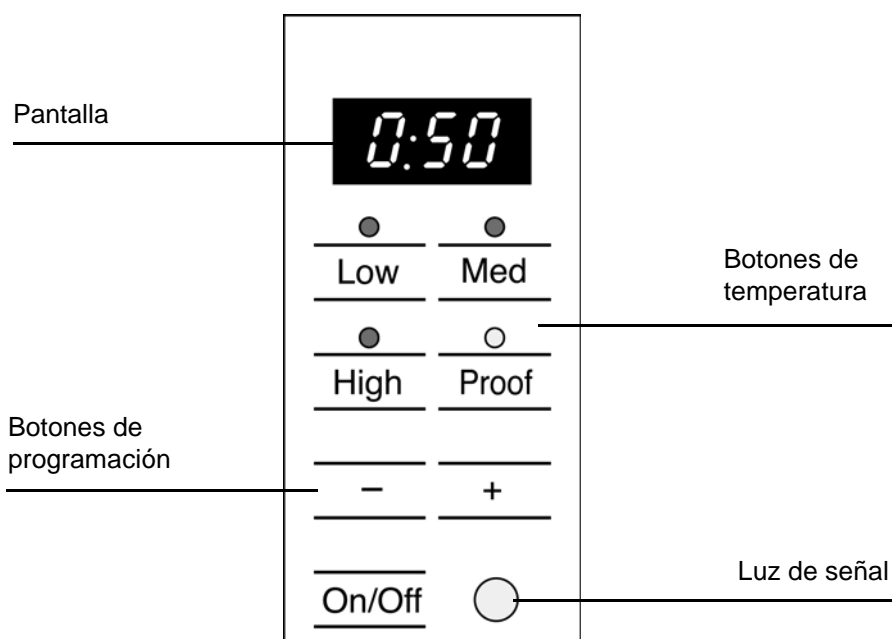
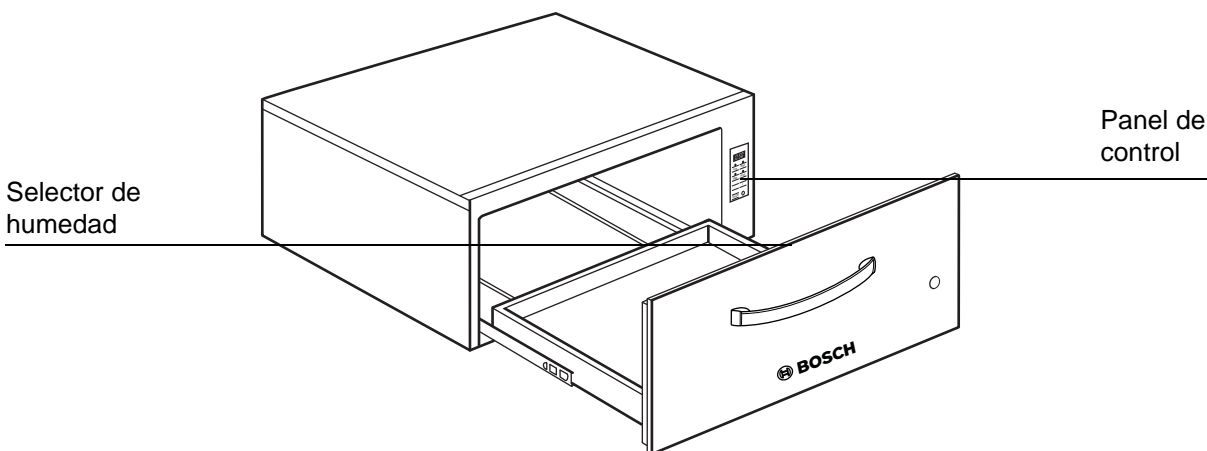
PRECAUCIÓN:

Para mantener la seguridad de los alimentos, siga las siguientes indicaciones:

1. NO use el cajón calentador para calentar alimentos fríos (excepción: el cajón se puede usar de manera segura para tostar galletas, papas fritas o cereales secos y para calentar platos).
2. Asegúrese de mantener la temperatura adecuada de los alimentos. El Departamento de Agricultura de los EE. UU. (United States Department of Agriculture, USDA) recomienda mantener los alimentos calientes a una temperatura de 140 °F o más.
3. NO caliente alimentos durante más de una hora.

Cómo comenzar

Piezas



Botón ON/OFF (ENCENDIDO/ APAGADO):

Use este botón para encender y apagar el cajón calentador.

Luz de señal

Cuando el cajón está en funcionamiento, se enciende la luz de señal.

Bip

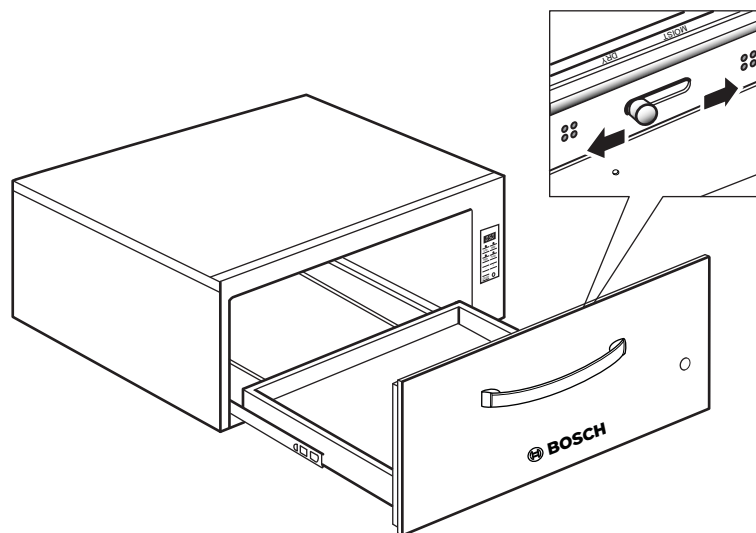
El panel de control emite un bip para confirmar que ha ingresado información. El contador de tiempo del calentador emite bips cuando ha transcurrido el tiempo indicado.

Botones de temperatura

Los botones de temperatura controlan la temperatura de la base del cajón.

Valor	Temperatura del cajón
LOW (BAJA)	140 °F
MED (MEDIA)	165 °F
HIGH (ALTA)	190 °F
PROOF (ELEVAR)	100 °F

Selector de humedad



Para mantener la humedad de los alimentos:

Deslice la perilla que se encuentra dentro del cajón hacia **“Moist”** (Húmedo). Esto cierra los orificios de ventilación y encierra la humedad dentro del cajón. Al cerrar los orificios de ventilación, el cajón está completamente sellado y de esta manera los alimentos calientes conservan su humedad y permanecen blandos.

Para mantener los alimentos crujientes:

Deslice la perilla que se encuentra dentro del cajón hacia **“Dry”** (Seque). Esto abre los orificios de ventilación y permite el escape de la humedad.

Operación

Acerca del electrodoméstico

El cajón calentador mantiene los alimentos calientes y cocidos a una temperatura adecuada para servir. Siempre comience con alimentos calientes. NO use el cajón para calentar alimentos fríos, salvo para elevar masa con levadura, tostar galletas, papas fritas y cereales secos, o para calentar platos o utensilios para horno.

Funciones

Contador de tiempo del calentador

Puede ajustar el contador de tiempo del calentador en incrementos de 5 minutos. El tiempo mínimo es de 5 minutos, y el tiempo máximo es de 5 horas.

Nota: El tiempo predefinido del contador de tiempo es una hora.

Una vez transcurrido el tiempo, el contador de tiempo emite bips, y el cajón se apaga automáticamente.

Para cambiar el contador de tiempo del calentador:

Use los botones + y - para modificar el contador de tiempo.

Modo de día de descanso sabático

La opción Sabatina facilita el uso del cajón calentador para las personas de religiones particulares durante la Sabatina.

- El cajón calentador está ajustado para que funcione durante 74 horas antes de apagarse automáticamente.
- Mientras funciona en modo de día de descanso sabático, la pantalla mostrará **SAb**.
- Una vez seleccionado el modo de día de descanso sabático, no se puede modificar el contador de tiempo del calentador.
- Presione **ON/OFF** (ENCENDIDO/APAGADO) en cualquier momento durante el modo de día de descanso sabático para finalizar el modo y apagar el electrodoméstico.

Para programar la función de día de descanso sabático

Presione **MED** (MEDIA) durante cinco segundos.

Nota: Sólo se puede utilizar la temperatura MED cuando el modo sabbat está activado. Una vez que el modo sabbat está ajustado, todos los botones están desactivados menos el interruptor de alimentación, que sirve para cancelar el modo.

Operación



PRECAUCIÓN:

Para mantener la seguridad de los alimentos, no deje alimentos en el horno durante más de una hora ni antes ni después de cocinar.

IMPORTANTE:

Los recipientes de plástico o las envolturas de plástico pueden derretirse si entran en contacto directo con el cajón o con un utensilio caliente. Si se derrite en el cajón, es posible que no se pueda retirar.

Nota: Use fuentes resistentes al calor únicamente.

Precalentar el cajón calentador

Precaliente el cajón calentador para calentar alimentos. Para obtener mejores resultados, precaliente el cajón durante el tiempo que se indica a continuación:

LOW (BAJA): 5 minutos

MED (MEDIA): 10 minutos

HIGH (ALTA): 15 minutos

PROOF (ELEVAR): no es necesario precalentar el cajón.

Calentar alimentos

1. Presione el botón hasta alcanzar el valor de temperatura deseado.
2. Programe el contador de tiempo del calentador.
3. Coloque en el cajón los alimentos calientes y cocidos.

Puede dejar los alimentos en los utensilios de cocina en los que los preparó. O bien puede pasarlos a una fuente resistente al calor antes de ponerlos en el cajón calentador.

Puede usar papel de aluminio para cubrir los alimentos.

Para calentar platos y bols

1. Presione **LOW** (BAJA).
2. Programe el contador de tiempo del calentador.

Para elevar masa

Coloque la masa en la fuente que desee y aceite ligeramente la parte superior de la masa. Cúbrala holgadamente con un paño.

1. Presione **PROOF** (ELEVAR).
2. Programe el contador de tiempo del calentador.
3. Controle la altura. Si es necesario, aumente la cantidad de tiempo.

Para tostar alimentos duros

Coloque los alimentos en fuentes o bandejas bajas.

1. Presione **LOW** (BAJA).
2. Precaliente durante 5 minutos, luego coloque la fuente en el cajón.
3. Programe el contador de tiempo del calentador.
4. Luego de 45 minutos, controle si están crujientes. Si es necesario, aumente la cantidad de tiempo.

Cómo aprovechar al máximo su electrodoméstico

Recomendaciones de temperatura

Alimentos/utensilios de cocina	Nivel	Nivel de humedad
Elevar masa con levadura	PROOF (ELEVAR)	húmedo
Tocino	HIGH (ALTA)	seco
Carne de res, término medio y bien cocida	MED (MEDIA)	húmedo
Carne de res roja	LOW (BAJA)	húmedo
Pan, roles de costra dura	MED (MEDIA)	seco
Pan, roles blandos, pastel de café	MED (MEDIA)	húmedo
Bizcochos	MED (MEDIA)	húmedo
Guisados	MED (MEDIA)	húmedo
Huevos	MED (MEDIA)	húmedo
Pescado, mariscos	MED (MEDIA)	húmedo
Alimentos fritos	HIGH (ALTA)	seco
Gravy, salsas de crema	MED (MEDIA)	húmedo
Jamón	MED (MEDIA)	húmedo
Pancakes	HIGH (ALTA)	húmedo
Pies, una masa	MED (MEDIA)	húmedo
Pies, dos masas	MED (MEDIA)	seco
Pizza	HIGH (ALTA)	húmedo
Cerdo	MED (MEDIA)	húmedo
Papas al horno	HIGH (ALTA)	húmedo
Puré de papas	MED (MEDIA)	húmedo

Alimentos/utensilios de cocina	Nivel	Nivel de humedad
Carne de ave asada	MED (MEDIA)	húmedo
Verduras	MED (MEDIA)	húmedo
Platos	LOW (BAJA)	seco
Plato de comida	MED (MEDIA)	húmedo

Limpieza y mantenimiento

Limpieza

Pieza	Recomendaciones
Interior del cajón (acero inoxidable pulido)	Use detergente para vajilla. Lave, enjuague bien y seque. Para eliminar marcas de agua dura o sarro, use vinagre blanco. Aplique con una esponja o paño, enjuague y seque.
Superficies pintadas	Use agua jabonosa caliente o limpiadores suaves como Fantastik® o Formula 409®, enjuague bien y seque. Evite usar agentes de limpieza abrasivos, esponjas de lana de acero y limpiadores para hornos.
Estructura exterior del cajón (acero inoxidable cepillado)	Siempre limpie o frote en la misma dirección del grano. Limpie con una esponja jabonosa, luego enjuague y seque, o rocíe Fantastik® o Formula 409® en una toalla de papel y limpie. Proteja y pula las superficies con Stainless Steel Magic® y un paño suave. Remueva las manchas de agua con un paño humedecido con vinagre blanco. Use Bar Keeper's Friend® para quitar la decoloración por el calor.
Control del cajón calentador	Límpielo con agua jabonosa caliente o aplique Fantastik® o Formula 409® en una esponja limpia o toalla de papel y limpie. Evite usar limpiadores abrasivos y esponjillas para fregar.

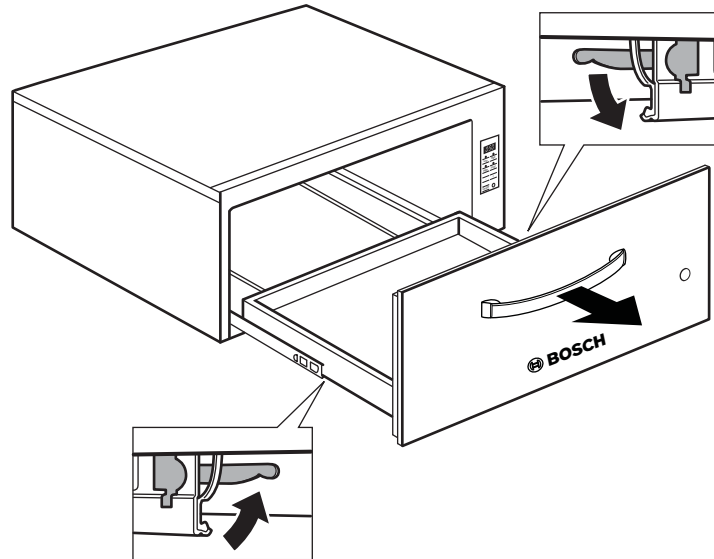
Mantenimiento

Para retirar el cajón



ADVERTENCIA:

Para prevenir quemaduras, no retire el cajón mientras está caliente. Asegúrese de que el cajón esté vacío antes de retirarlo.



1. Jale el cajón hasta abrirlo por completo.
2. Presione hacia abajo el gancho derecho del cajón.
3. Levante el gancho izquierdo del cajón.
4. Jale el cajón hacia afuera con firmeza. Lleve hacia atrás los rieles del gabinete al retirar el cajón.

Cambiar el cajón

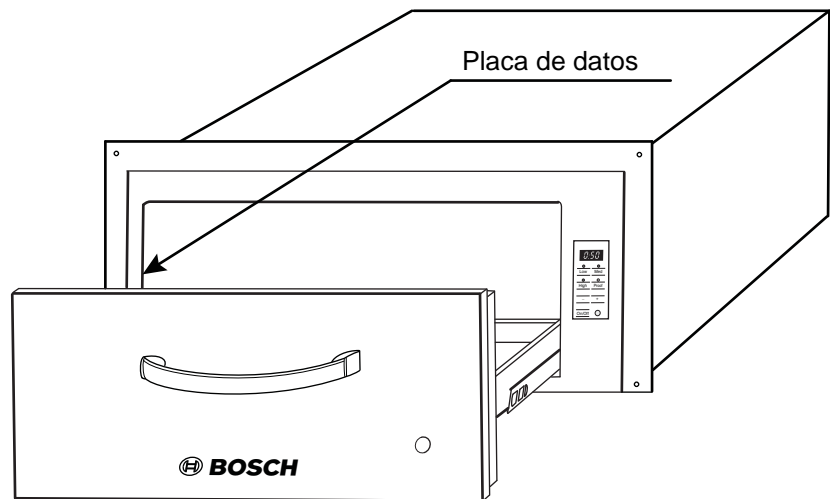
1. Asegúrese de que los rieles del gabinete estén dentro del gabinete.
2. Alinee los rieles del cajón con los rieles del gabinete.
3. Empuje firmemente el cajón hasta que quede dentro del gabinete y que el cajón tope.
4. Abra y cierre el cajón para comprobar que funciona bien. Nota: Si el cajón no se cierra, verifique que los ganchos de los rieles estén en la posición correcta.

Servicio técnico

Para consultar a un representante de servicio técnico, remítase a la información de contacto que aparece en el frente del manual. Cuando llame, tenga a la mano la información impresa en la placa de datos de su producto.

Placa de datos

La placa de datos muestra el modelo y el número de serie. Al solicitar servicio técnico, consulte la placa de datos del electrodoméstico. La placa de datos se encuentra en el costado izquierdo del gabinete. Puede ser necesario para quitar el cajón para verla.



DECLARACIÓN DE GARANTÍA LIMITADA DEL PRODUCTO

Cobertura de esta garantía y a quiénes se aplica:

La garantía limitada otorgada por BSH Home Appliances ("Bosch") en esta Declaración de Garantía Limitada del Producto se aplica únicamente al electrodoméstico Bosch vendido a usted, el primer comprador usuario, siempre que el Producto haya sido comprado:

- Para uso doméstico (no comercial) normal y haya sido utilizado en todo momento únicamente para fines domésticos normales.
- Nuevo en una tienda minorista (que no sea un producto de exhibición, ni un producto vendido "en las condiciones en que se encuentra" ni un modelo devuelto anteriormente) y no esté destinado para reventa ni uso comercial.
- Dentro de los Estados Unidos o Canadá, y permanezca en todo momento dentro del país de compra original.

Las garantías incluidas en el presente se aplican únicamente al primer comprador del Producto y no son transferibles.

Asegúrese de devolver su tarjeta de registro; si bien no es necesario para hacer efectiva la cobertura de la garantía, es la mejor manera para que Bosch le notifique en el caso poco probable de que se emita un aviso de seguridad o se retire del mercado un producto.

Duración de la garantía

Bosch garantiza que el Producto estará libre de defectos en los materiales y en la mano de obra por un período de doce (12) meses a partir de la fecha de compra. El período precedente comienza a regir a partir de la fecha de compra y no se interrumpirá, dejará sin efecto, extenderá ni suspenderá por ningún motivo.

Reparación/reemplazo como único recurso

Durante el período de esta garantía, Bosch o uno de sus proveedores de servicio técnico autorizados reparará su Producto sin cargo para usted (con sujeción a determinadas limitaciones especificadas en el presente) si se prueba que su Producto ha sido fabricado con un defecto en los materiales o en la mano de obra. Si se ha intentado de manera razonable reparar el Producto sin éxito, Bosch reemplazará su Producto (es posible que usted tenga disponibles modelos mejorados, a entera discreción de Bosch, por un cargo adicional). Todas las piezas y los componentes extraídos serán propiedad de Bosch, a su entera discreción. Todas las piezas reemplazadas y/o reparadas se considerarán como la pieza original a los fines de esta garantía, y esta garantía no se extenderá con respecto a dichas piezas. En virtud del presente, la única y exclusiva responsabilidad y obligación de Bosch es únicamente reparar el Producto defectuoso de fábrica, a través de un proveedor de servicio técnico autorizado por Bosch durante el horario normal de oficina. Por cuestiones de seguridad y daños materiales, Bosch recomienda categóricamente que no intente reparar el Producto usted mismo ni use un centro de servicio técnico no autorizado; Bosch no tendrá responsabilidad ni obligación alguna por las reparaciones o trabajos realizados por un centro de servicio técnico no autorizado. Si usted prefiere que una persona que no es un proveedor de servicio técnico autorizado trabaje en su Producto, ESTA GARANTÍA SE ANULARÁ AUTOMÁTICAMENTE. Los proveedores de servicio técnico autorizados son aquellas personas o compañías que han sido especialmente capacitadas para manejar los productos de Bosch y que tienen, según el criterio de Bosch, una reputación superior de servicio al cliente y capacidad técnica (debe tener en cuenta que son entidades independientes y no son agentes, socios, afiliados ni representantes de Bosch). Sin perjuicio de lo que antecede, Bosch no tendrá responsabilidad ni obligación alguna por el Producto que se encuentre en un área remota (a más de 100 millas de un proveedor de servicio técnico autorizado) o en un lugar, área circundante o entorno que no sea accesible por medios razonables o que sea peligroso, hostil o arriesgado; en cualquier caso, a su

solicitud, Bosch de todas maneras pagará por la mano de obra y las piezas, y enviará las piezas al proveedor de servicio técnico autorizado más cercano, pero usted seguirá siendo totalmente responsable por el tiempo de viaje y demás cargos especiales de la compañía de servicio técnico, suponiendo que acepte hacer la visita de servicio técnico.

Producto fuera de garantía

Bosch no tiene obligación alguna, en virtud de la ley o por otro motivo, de otorgarle ninguna concesión, incluidos reparaciones, prorratesos o reemplazo del Producto, con posterioridad al vencimiento de la garantía.

Exclusiones de la garantía

La cobertura de garantía descrita en el presente excluye todos los defectos o daños que no fueron provocados directamente por Bosch, incluidos, entre otros, alguno de los siguientes:

- Uso del Producto de maneras distintas del uso normal, habitual y previsto (incluidos, entre otros, cualquier forma de uso comercial, uso o almacenamiento en exteriores de un producto diseñado para interiores, uso del Producto en aeronaves o embarcaciones).
- Conducta indebida, negligencia, uso indebido, abuso, accidentes, descuido, operación inadecuada, omisión de mantener, instalación inadecuada o negligente, adulteración, omisión de seguir las instrucciones de operación, manipulación inadecuada, servicio técnico no autorizado (incluidos "arreglos" o exploración de los mecanismos internos del electrodoméstico realizados por uno mismo) por parte de cualquier persona.
- Ajuste, alteración o modificación de cualquier tipo.
- Incumplimiento de los códigos, reglamentaciones o leyes de electricidad, plomería y/o construcción locales, municipales o de condado, incluida la omisión de instalar el producto cumpliendo estrictamente con los códigos y reglamentaciones locales de construcción y protección contra incendios.
- Desgaste habitual, derrames de alimentos, líquidos, acumulaciones de grasa u otras sustancias que se acumulen sobre, dentro o alrededor del Producto.
- Y cualquier fuerza y factor externo, elemental y/o ambiental, incluidos, entre otros, lluvia, viento, arena, inundaciones, incendios, aludes de lodo, temperaturas bajas extremas, humedad excesiva o exposición prolongada a la humedad, rayos, sobrecargas eléctricas, fallas estructurales alrededor del electrodoméstico y caso fortuito.

En ningún caso, Bosch tendrá responsabilidad ni obligación alguna por los daños ocasionados a los bienes circundantes, incluidos los gabinetes, pisos, techos y demás estructuras u objetos que se encuentren alrededor del producto. También se excluyen de esta garantía las rayas, hendiduras, abolladuras menores y daños estéticos en superficies externas y piezas expuestas; productos en los cuales los números de serie hayan sido alterados, modificados o eliminados; visitas del servicio técnico para enseñarle a usar el Producto o visitas en las que se determine que no hay ningún problema con el Producto; corrección de los problemas de instalación (usted es el único responsable de cualquier estructura y soporte del Producto, incluidas las instalaciones de electricidad y plomería o demás instalaciones de conexión, de la correcta instalación en bases/pisos y de cualquier alteración, incluidos, entre otros, gabinetes, paredes, pisos, repisas, etc.); y el restablecimiento de disyuntores o fusibles.

EN LA MEDIDA PERMITIDA POR LA LEY, ESTA GARANTÍA ESTABLECE SUS RECURSOS EXCLUSIVOS CON RESPECTO AL PRODUCTO, INDEPENDIENTEMENTE DE QUE LA RECLAMACIÓN SEA CONTRACTUAL O EXTRA CONTRACTUAL (INCLUIDA LA RESPONSABILIDAD OBJETIVA O LA NEGLIGENCIA), O DE CUALQUIER OTRO MODO. ESTA GARANTÍA REEMPLAZA TODAS LAS DEMÁS GARANTÍAS EXPRESAS O IMPLÍCITAS. LAS GARANTÍAS IMPLÍCITAS POR LEY, YA SEA DE COMERCIALIZACIÓN O APTITUD PARA UN FIN ESPECÍFICO, O DE CUALQUIER OTRO TIPO,

TENDRÁN VIGENCIA ÚNICAMENTE POR EL PERÍODO DE VIGENCIA DE LA PRESENTE GARANTÍA LIMITADA EXPRESA. EN NINGÚN CASO, EL FABRICANTE SERÁ RESPONSABLE POR LOS DAÑOS CONSECUENTES, ESPECIALES, INCIDENTALES, INDIRECTOS, POR "PÉRDIDAS COMERCIALES" Y/O DAÑOS PUNITIVOS, PÉRDIDAS O GASTOS, INCLUIDOS, ENTRE OTROS, TIEMPO FUERA DEL TRABAJO, HOTELES Y/O COMIDAS EN RESTAURANTES, GASTOS DE REMODELACIÓN QUE SUPEREN LOS DAÑOS DIRECTOS, QUE DEFINITIVAMENTE HAYAN SIDO CAUSADOS DE MANERA EXCLUSIVA POR BOSCH O DE OTRO MODO. ALGUNOS ESTADOS NO PERMITEN LA EXCLUSIÓN O LIMITACIÓN DE DAÑOS INCIDENTALES O CONSECUENTES, Y ALGUNOS ESTADOS NO PERMITEN LIMITACIONES CON RESPECTO AL PLAZO DE VIGENCIA DE UNA GARANTÍA IMPLÍCITA; POR LO TANTO, ES POSIBLE QUE LAS LIMITACIONES PRECEDENTES NO SE APLIQUEN. ESTA GARANTÍA LE OTORGA DERECHOS LEGALES ESPECÍFICOS, Y TAMBIÉN PUEDEN CORRESPONDERLE OTROS DERECHOS QUE PUEDEN VARIAR SEGÚN EL ESTADO.

Ningún intento de alterar, modificar o enmendar la presente garantía entrará en vigencia, a menos que fuera autorizado por escrito por un ejecutivo de BSH.



BOSCH

Invented for life