

30" Combination Wall Oven 500 Series - Black HBL5760UC



Features and Benefits

Key Features

- Large Capacity at 4.7 Cu.Ft.
- Fast Preheat Reduces Preheat Time to around 7 Minutes
- Meat Probe Takes Guesswork out of Cooking
- Recipe Mode Provides 30 Pre-Programmed Auto Settings

Design

- Contemporary Stainless Steel Design
- ClearTouch® Glass Control
- Flush-to-Cabinet Design
- Retractable Controls for Sleek and Easy to Clean Design
- 2-in-1 Design Oven and Traditional Microwave

Performance

- 14 Specialized Cooking Modes - Gourmet Cooking Made Easy
- Fast Preheat Reduces Preheat Time to around 7 Minutes
- Genuine European Convection With ACS
- Speed Convection Saves up to 30% Time
- Custom Cooking Modes: Pizza, Pie, Warm and Proof
- Meat Probe Takes Guesswork out of Cooking
- Recipe Mode Provides 30 Pre-Programmed Auto Settings

Efficiency

- EcoClean™ 2-Hour Self-Clean Cycle

Convenience

- Amber Colored Full Text Display
- Timer with Cook Time and Delay Start Function
- Extra Large Door Window for Easy Monitoring of Cooking
- High Quality Self-cleaning Rack Supports

Notes: All height, width and depth dimensions are shown in inches. *Please refer to installation instructions prior to making cutout. BSH reserves the absolute and unrestricted right to change product materials and specifications, at any time, without notice. Consult the product's installation instructions for final dimensional data and other details. Applicable product warranty can be found in a accompanying product literature or you may contact your account manager for further details.

For more information on our entire line of products, go to boschappliances.com or call 1-800-944-2904.

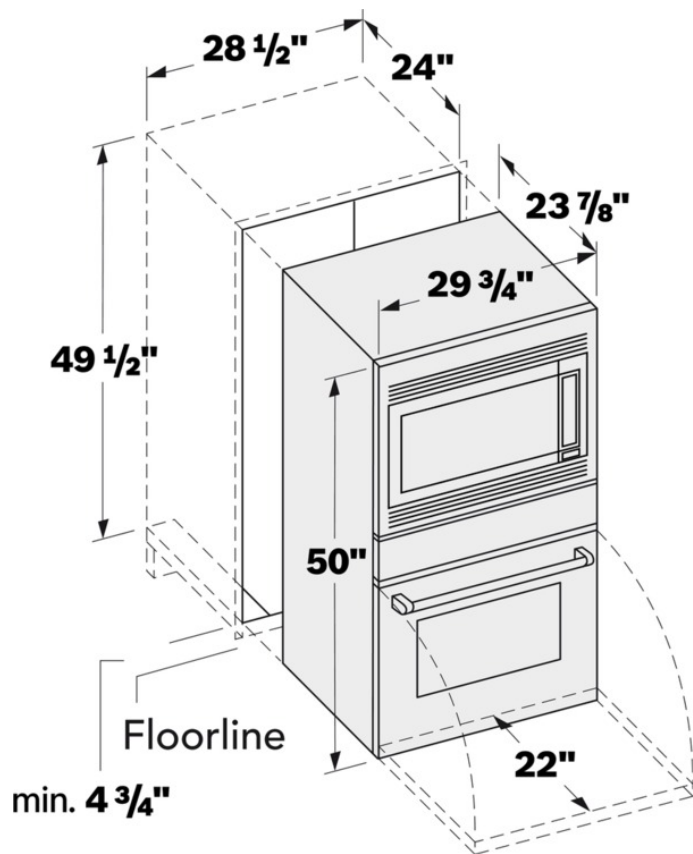
Copyright ©2014 BSH Home Appliances Corporation. All rights reserved. Bosch is a registered trademark of Robert Bosch GmbH.

Litho Date: 01/2014

30" Combination Wall Oven

500 Series - Black

HBL5760UC



Features

Cooking method primary cavity	Microwave
Cooking method secondary cavity	3D hot air, Convection Bake, Convection Broil, Convection Roast, Dehydrate, Dough proving setting, Hot air, Intensive hot air, Pizza setting, Top/bottom heating, Top heating, 1/3 bottom heat., Variable small-area grill, Warming
Cleaning system - primary cavity	Self Clean
Number of interior lights	1
Electronic timer	
Included accessories	3 x Oven racks /lower, 1 x Broiler pan /lower, 1 x Temperature probe /lower
Bake Element Wattages primary cavity (W)	
Broil Element Wattages primary cavity (W)	
Convection Element Wattages primary cavity (W)	
Microwave Wattages (W)	1200

Technical Specification

UPC code	825225843191
Product color	Black
Alternative colors available	HBL5720UC, HBL5750UC
Energy source	Electric
Watts (W)	10200
Current (A)	50
Volts (V)	240/208
Frequency (Hz)	60
Approval certificates	CSA
Power Cord Length	50
Plug type	fixed connection, no plug
Required cutout size (HxWxD) (in)	49 1/2" x 28 1/2" x 24"
Overall appliance dimensions (HxWxD) (in)	50" x 29 3/4" x 23 7/8"
Product packaging dimensions (HxWxD) (in)	56 3/4" x 34" x 31"
Net weight (lbs)	250
Gross weight (lbs)	287

Notes: All height, width and depth dimensions are shown in inches. *Please refer to installation instructions prior to making cutout. BSH reserves the absolute and unrestricted right to change product materials and specifications, at any time, without notice. Consult the product's installation instructions for final dimensional data and other details. Applicable product warranty can be found in a accompanying product literature or you may contact your account manager for further details.

For more information on our entire line of products, go to boschappliances.com or call 1-800-944-2904.

Copyright ©2014 BSH Home Appliances Corporation. All rights reserved. Bosch is a registered trademark of Robert Bosch GmbH.

Litho Date: 01/2014