

# 30" Over-the-Range Microwave

## 300 Series - Black

### HMV3061U



## Features and Benefits

### Key Features

- 1.6 Cu.Ft. Large Oven Capacity
- Popcorn Program - Get Fully "Popped" Popcorn Simply by Entering the Bag Size
- Two Speed Vent with up to 300 CFM Power

### Design

- OTR Microwave Design-matched for Use in Combination with Bosch Range or Cooktop
- Exclusive Stainless Steel Handle
- Stainless Steel Colored Vent Grid
- Easy to Read LCD Display
- Available in Black, White and Stainless Steel

### Performance

- 1000 Watts Microwave Power
- 10 Microwave Power Levels
- Two Speed Vent with up to 300 CFM Power
- Two 30 Watts Lights for Bright Cooktop Illumination

### Convenience

- Easy to Use Touch Control
- Side-hinged Door Allows Full Access to Microwave Cavity
- Installation for Recirculation or Outside Venting
- Program Cooking with up to Two Cycles
- Reheat Setting Automatically determines Power Level and Cooking Time
- Potato Program Perfectly Prepares Baked Potatoes
- Automatic Defrost Automatically determines Power Level and Cooking Time
- Popcorn Program - Get Fully "Popped" Popcorn Simply by Entering the Bag Size

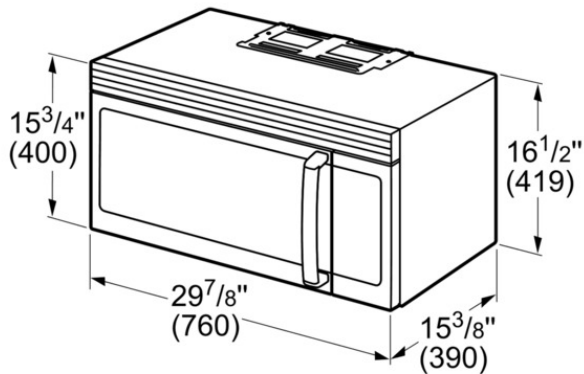
Notes: All height, width and depth dimensions are shown in inches. \*Please refer to installation instructions prior to making cutout. BSH reserves the absolute and unrestricted right to change product materials and specifications, at any time, without notice. Consult the product's installation instructions for final dimensional data and other details. Applicable product warranty can be found in a accompanying product literature or you may contact your account manager for further details.

For more information on our entire line of products, go to [boschappliances.com](http://boschappliances.com) or call 1-800-944-2904.  
Copyright ©2014 BSH Home Appliances Corporation. All rights reserved. Bosch is a registered trademark of Robert Bosch GmbH.

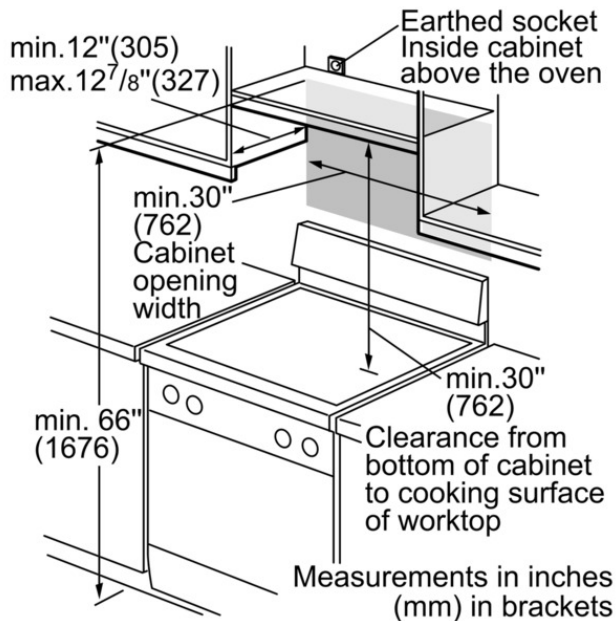
Litho Date: 03/2014



# 30" Over-the-Range Microwave 300 Series - Black HMV3061U



Measurements in inches  
(mm) in brackets



## Features

Max. Microwave power (W)	1000
Number of Power Levels	10
Turntable	Yes
Turntable diameter (in)	13 1/2"
Heating type	Microwave
Cavity material	Lacquered
Door opening	Handle
Clock / Timer	Yes
Max. extraction rate (CFM)	300
Maximum output recirculating air	
Ventilation Power Levels	2
Type of Filter	
Type of lights	Bulb
Number of lights	2
Included accessories	

## Technical Specification

UPC code	825225879053
Product color	Black
Alternative colors available	HMV3021U, HMV3051U
Watts (W)	1550
Current (A)	15
Volts (V)	120
Frequency (Hz)	60
Approval certificates	UL
Power Cord Length	
Plug type	120V-3 prong
Required cutout size (HxWxD) (in)	16 1/2" x 30" x 12 7/8"
Overall appliance dimensions (HxWxD) (in)	16 1/2" x 29 7/8" x 15"
Product packaging dimensions (HxWxD) (in)	20.07 x 33.26 x 19.29
Net weight (lbs)	56
Gross weight (lbs)	62

Notes: All height, width and depth dimensions are shown in inches. \*Please refer to installation instructions prior to making cutout. BSH reserves the absolute and unrestricted right to change product materials and specifications, at any time, without notice. Consult the product's installation instructions for final dimensional data and other details. Applicable product warranty can be found in a accompanying product literature or you may contact your account manager for further details.

For more information on our entire line of products, go to [boschappliances.com](http://boschappliances.com) or call 1-800-944-2904.  
Copyright ©2014 BSH Home Appliances Corporation. All rights reserved. Bosch is a registered trademark of Robert Bosch GmbH.

Litho Date: 03/2014

