

30" Double Wall Oven 500 Series - Black HBL5660UC



Features and Benefits

Key Features

- Large Capacity at 4.7 Cu.Ft.
- Fast Preheat Reduces Preheat Time to around 7 Minutes
- Meat Probe Takes Guesswork out of Cooking
- Recipe Mode Provides 30 Pre-Programmed Auto Settings

Design

- Contemporary Stainless Steel Design
- ClearTouch® Glass Control
- Flush-to-Cabinet Design
- Retractable Controls for Sleek and Easy to Clean Design

Performance

- 14 Specialized Cooking Modes - Gourmet Cooking Made Easy
- Fast Preheat Reduces Preheat Time to around 7 Minutes
- Genuine European Convection With ACS
- Speed Convection Saves up to 30% Time
- Custom Cooking Modes: Pizza, Pie, Warm and Proof
- Meat Probe Takes Guesswork out of Cooking
- Recipe Mode Provides 30 Pre-Programmed Auto Settings
- Thermal Cooking with Bake, Broil and Roast in Lower Oven

Efficiency

- EcoClean™ 2-Hour Self-Clean Cycle

Convenience

- Amber Colored Full Text Display
- Timer with Cook Time and Delay Start Function
- Extra Large Door Window for Easy Monitoring of Cooking
- High Quality Self-cleaning Rack Supports

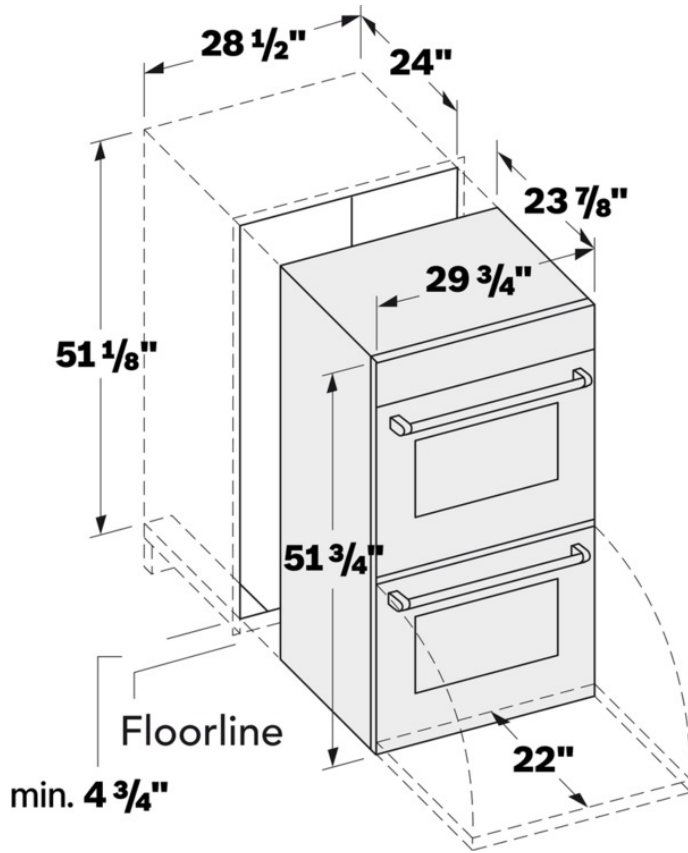
Notes: All height, width and depth dimensions are shown in inches. *Please refer to installation instructions prior to making cutout. BSH reserves the absolute and unrestricted right to change product materials and specifications, at any time, without notice. Consult the product's installation instructions for final dimensional data and other details. Applicable product warranty can be found in a accompanying product literature or you may contact your account manager for further details.

For more information on our entire line of products, go to boschappliances.com or call 1-800-944-2904.

Copyright ©2014 BSH Home Appliances Corporation. All rights reserved. Bosch is a registered trademark of Robert Bosch GmbH.

Litho Date: 01/2014

30" Double Wall Oven 500 Series - Black HBL5660UC



Features

Cooking method primary cavity	3D hot air, Convection Bake, Convection Broil, Convection Roast, Conventional heat, Dehydrate, Dough proving setting, Half width variable grill, Hot Air, Intensive hot air, Pizza setting, Top heating, 1/3 bottom heat., warming
Cooking method secondary cavity	Top/bottom heating, Top heating, 1/3 bottom heat., Variable small-area grill, Warming
Cleaning system - primary cavity	, Self Clean
Number of interior lights	2
Electronic timer	
Included accessories	3 x Oven racks / upper, 2 x Oven racks / lower, 1 x Broiler pan / upper, 1 x Temperature probe /upper
Bake Element Wattages primary cavity (W)	2000
Broil Element Wattages primary cavity (W)	3600
Convection Element Wattages primary cavity (W)	2000
Microwave Wattages (W)	

Technical Specification

UPC code	825225843177
Product color	Black
Alternative colors available	HBL5620UC, HBL5650UC
Energy source	Electric
Watts (W)	7600
Current (A)	
Volts (V)	240/208
Frequency (Hz)	60
Approval certificates	CSA
Power Cord Length	50
Plug type	fixed connection, no plug
Required cutout size (HxWxD) (in)	51 1/8" x 28 1/2" x 24"
Overall appliance dimensions (HxWxD) (in)	51 3/4" x 29 3/4" x 23 7/8"
Product packaging dimensions (HxWxD) (in)	56 3/4" x 34" x 31"
Net weight (lbs)	294
Gross weight (lbs)	328

Notes: All height, width and depth dimensions are shown in inches. *Please refer to installation instructions prior to making cutout. BSH reserves the absolute and unrestricted right to change product materials and specifications, at any time, without notice. Consult the product's installation instructions for final dimensional data and other details. Applicable product warranty can be found in a accompanying product literature or you may contact your account manager for further details.

For more information on our entire line of products, go to boschappliances.com or call 1-800-944-2904.
Copyright ©2014 BSH Home Appliances Corporation. All rights reserved. Bosch is a registered trademark of Robert Bosch GmbH.

Litho Date: 01/2014