

**IMPORTANT:**  
Read Before Using

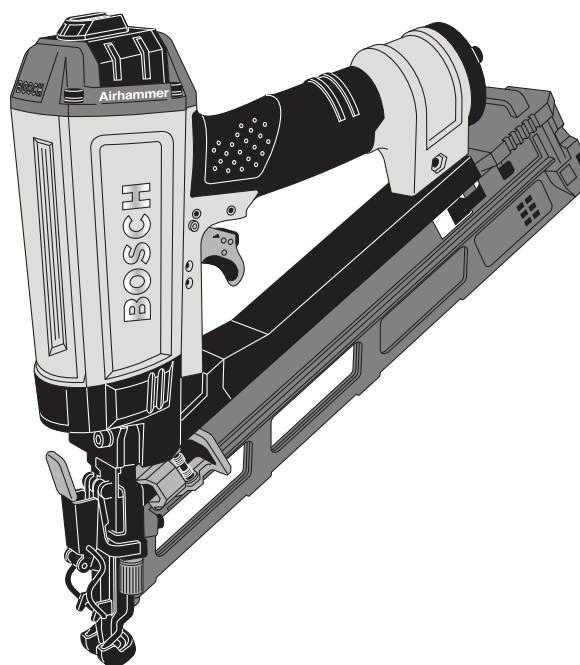
**IMPORTANT :**  
Lire avant usage

**IMPORTANTE:**  
Leer antes de usar



**Operating/Safety Instructions**  
**Consignes de fonctionnement/sécurité**  
**Instrucciones de funcionamiento y seguridad**

**FNA-250-15**



**BOSCH**

**Call Toll Free for  
Consumer Information  
& Service Locations**

**Pour obtenir des informations et  
les adresses de nos centres de  
service après-vente,  
appelez ce numéro gratuit**

**Llame gratis para  
obtener información  
para el consumidor y  
ubicaciones de servicio**

**1-877-BOSCH99 (1-877-267-2499) [www.boschtools.com](http://www.boschtools.com)**

**For English Version  
See page 2**

**Version française  
Voir page 15**

**Versión en español  
Ver la página 28**

# General Pneumatic Tool Safety Rules

**⚠ WARNING** ALL USERS AND EMPLOYERS/OWNERS MUST READ AND UNDERSTAND ALL INSTRUCTIONS IN THIS MANUAL BEFORE OPERATING OR MAINTAINING THIS TOOL. Failure to follow all instructions listed below may result in electric shock, fire, serious personal injury or death.

## SAVE THESE INSTRUCTIONS

### Work Area

**Keep your work area clean and well lit.** Cluttered benches and dark areas increase the risks of accidents, electric shock, fire, and injury to persons.

**Do not operate pneumatic tools in explosive atmospheres, such as in the presence of flammable liquids, gases, or dust.** The tool is able to create sparks which may ignite the dust or fumes. Never use the tool in sites containing lacquer, paint, thinner, gasoline, gases, adhesive agents, and other materials which are combustible or explosive.

**Keep bystanders, children, and visitors away while operating a pneumatic tool.** Distractions may cause loss of control of the tool. Fragments of fasteners may cause injury to bystanders.

**Never engage in horseplay with the tool.** Respect the tool as a working implement.

### Personal Safety

**Do not remove, tamper with, or otherwise cause the tool operating controls to become disabled or inoperable.** This will cause the tool to work irregularly and may result in the risk of injury.

**Dress properly. Do not wear loose clothing or jewelry. Contain long hair. Keep your hair, clothing, and gloves away from moving parts.** Loose clothes, jewelry, or long hair can be caught in moving parts and increases the risk of injury.

**Always wear eye and ear protection when using this tool. Use additional personal protective equipment as appropriate when operating this tool.** Operators and others in work area must wear safety glasses with side shields and make sure all other personnel in the work area wear safety glasses. Safety glasses must conform to the requirements of American National Standards Institute, ANSI Z87.1 and provide protection against flying particles both from the front and side. Prolonged exposure to high intensity noise is able to cause hearing loss. Dust mask, non-skid safety shoes, hard hat and other personal protective equipment, must be used for appropriate conditions.

**Keep handles dry, clean and free from oil and grease.** Slippery hands cannot safely control the tool.

**Avoid directing exhaust air from the tool into your or a bystander face and eyes.** Exhaust air from a tool can contain water, oil, metal particles or contaminants from the compressor, which can be blown into the eyes or cause serious injury. Use adjustable air vent to direct exhaust to blow exhaust air away from user.

**Stay alert. Watch what you are doing, and use common sense when operating a pneumatic tool. Do not use the tool while tired or under the influence of drugs, alcohol, or medication.** A moment of inattention while operating the tool may result in serious personal injury.

**Avoid unintentional operation. While connecting air supply do not depress trigger.** Do not carry the tool with your finger on the trigger or connect the tool to the air supply with the switch "on."

**Do not overreach. Keep proper footing and balance at all times.** Proper footing and balance enable better control of the tool in unexpected situations.

**Make sure air hose is free of snags and obstructions. Do not attach an air hose or tool to your body.** Entangled or snarled hoses can cause a loss of balance or footing in addition to unintentional tool operation. Attach the hose to the structure to reduce the risk of loss of balance if the hose shifts.

### Tool Use and Care

**Use this tool and accessories in accordance with the instructions.** Tools and accessories must be used for the purpose for which they are designed. Use of the pneumatic tool for operations different from what's described in this manual can result in a hazardous situation.

**Use only accessories that are recommended by BOSCH for your particular model.** Accessories that may be recommended for a particular model tool may not be suitable on other model tools and may result in personal injury.

**Before each use, inspect the tool. Do not operate if any portion of the tool is loose, missing, damaged, malfunctioning, disconnected or altered.** If the tool appears to be operating unusually and/or making strange noises, stop using it immediately and contact your local service center. There is a risk of bursting if the tool is damaged.

**Do not force tool. Use the correct tool for your application.** The correct tool will do the job better and safer at the rate for which it is designed.

**Do not operate the tool with any power source other than that specified in the tool operating/safety instructions.** Use of alternative power sources may result in malfunctions of the tool and the power source which may lead to serious injury of you or others in your surroundings.

**Disconnect tool from air supply when not in use.** Leaving the tool unattended with the air supply connected can result in unintentional operation of the tool by users unfamiliar with tool.

**Disconnect the tool from the air source before making adjustments, clearing jams, unloading fasteners, leaving the work area, performing tool maintenance or storing the tool.** Such precautionary safety measures reduce the risk of unintentional tool operation.

**Never carry the tool by the hose.** The tool, air fittings and the air hose may become damaged.

**Use clamps or another practical way to secure and support the work piece to a stable platform.** Holding work by hand or against your body is unstable and may lead to loss of control or personal injury.

**The correct pressure is the lowest pressure that will do the job.** Always follow recommendations for the particular tool.

**Maintain tools with care.** Properly maintained tools are less likely to break and cause injury. Any alteration or modification is a misuse and may result in a dangerous condition.

## Service

**Maintenance performed by unauthorized personnel may result in misplacing of the internal components which could cause serious hazard.** We recommend that all tool service be performed by a BOSCH factory service center or authorized BOSCH service station.

**Develop a periodic maintenance schedule for your tool. When cleaning a tool be careful not to disassemble any portion of the tool since internal components may be misplaced or safety components may be improperly mounted.** Certain cleaning agents such as gasoline, carbon tetrachloride, ammonia, etc. may damage plastic parts and o-rings.

**When servicing the tool, use only recommended BOSCH replacement parts. Follow instructions in the Maintenance section of this manual.** Use of unauthorized parts or failure to follow Maintenance Instructions can cause a risk of injury.

**Use only the air tool lubricants supplied with the tool or specified by BOSCH.** Do not use other lubricants as they may damage the tool. See the "Lubrication" section for a list of recommended air tool lubricants.

## Safety Rules for Pneumatic Nailer Tools

**Always assume the tool contains nails.** Check the magazine for nails that may be left in the tool, even if you think the tool is empty or disconnected.

**Never point the tool at yourself or others in the work area.** Always assume the tool contains nails. If nails are accidentally fired, it may result in injury. The tool is not a toy and should not be used like one.

**Remove finger from the trigger when not driving nails. Always carry the tool by the handle only.** Removing your finger from the trigger when not operating the tool reduces the risk of unintentionally firing a nail and injuring yourself or someone else.

**Do not disable or remove the work contact element.** This tool is equipped with a safety mechanism, the work

**Replace missing or damaged warning labels.** Refer to tool schematic for correct placement and part number.

**Keep the tool clean and lubricated.** Clean the tool at least daily and lubricate as required. Never operate a dirty or malfunctioning tool.

**When not in use, store the tool out of reach of children and other personnel unfamiliar with tool operation.** When not in use, the tool should be disconnected and stored in a dry place. Keep out of reach of children. Lock the storage area. Tools are dangerous in the hands of users unfamiliar with the tool.

## Air Source

**Never use oxygen or other bottled gases as a power source.** Explosion may occur. Combustible gases and other bottled gases are dangerous and may cause the tool to explode.

**Use only clean, dry, regulated, compressed air within the rated pressure range marked on the tool. Do not exceed maximum recommended air pressure marked on the tool.** Verify prior to using the tool that the air source has been adjusted within the rated air-pressure range. Be sure the air pressure gauge is operating properly and check it at least twice a day. Tools operated in excess of their maximum pressure rating may operate abnormally or burst, resulting in personal injury.

**Never connect the tool to an air source that is capable of producing air pressure exceeding 200 PSI.** Excessive pressure can cause abnormal operation or cause the tool to burst, resulting in personal injury.

**Do not abuse the air hose. Protect all hoses from kinks, restrictions, solvents or sharp objects. Keep air hose away from heat, oil, sharp edges or moving parts.** Replace damaged hoses immediately. Damaged hoses can burst or whip around.

**Check all fittings, hoses, pipes, connections and compressor before each use of this tool. Repair or replace damaged or leaking hoses and connections immediately.** Damage to a hose or connection can cause a pressure hose to break and whip around the work area, and can lead to injury.

contact element, to reduce the risk of accidental firing. Disabling this component can result in unintentional firing.

**Do not use the tool unless the work contact element is working properly.** If the work contacting element is not functioning correctly, the tool can fire unexpectedly.

**Never use non relieving couplers and/or female quick disconnect couplings on the tool.** Non relieving couplings and female couplings will trap high pressure air in the tool when the air line is disconnected. This will leave the tool charged with enough air after it has been disconnected to drive a nail. Only MALE pneumatic type air connectors should be fitted to the tool, so that high pressure air in the tool is vented to atmosphere as soon as the air line is disconnected.

**Follow all recommendations for sizes of hoses, fittings and other compressed air accessories.** Improperly sized or fitting components may result in the risk of injury or property damage.

**Check air supply lines for restrictions before adjusting the tool.** Air volume is as important as air pressure. Restricted air flow will prevent the tool from operating as designed, resulting in slow operation, nail misfeeding or reduced driving power.

**Always load nails into the tool's magazine before the air supply is connected.** Connecting the air supply after loading nails reduces the risk of unintentionally driving a nail and injuring yourself or someone else.

**When loading nails ensure that nails are parallel with nose of tool.** If nails are not parallel with nose the tool will misfire and nails can be deflected, cause the tool to react in an unexpected manner, and damage the tool.

**When loading the tool's magazine, check that the nail follower slides smoothly by pulling with finger.** If not smooth, nails can be driven at irregular angle.

**Use only the nails meeting the criteria listed in the "Specification" section of this manual.** Nails not identified for use with this tool can cause the tool to malfunction and result in the risk of injury and/or tool damage.

**Do not connect the air supply when the trigger or work contact element is depressed.** Keep the tool pointed downward, away from yourself and bystanders when connecting the hose to reduce the risk of accidental nail firing.

**Keep hands and feet away from work contact element of the tool during use.** Never place your hands or feet closer than 8 inches (200 mm) to the work contact element of the tool. Nails can be deflected by the work piece or driven away from the point of entry.

**Choice of triggering methods is important; understand the operating characteristics of each option.** There are two possible firing modes; "sequential firing" and "bump firing." Read and understand section titled "Actuation Systems" for details of each mode.

**Do not use a frozen tool.** Allow tool to thaw before using. Moisture frozen in the tool may impede internal components resulting in the risk of injury and/or tool damage.

**Operate the tool only when properly positioned on the work piece.** If the tool is not held properly on the work piece the nail can be deflected or the tool can react in an unexpected manner.

**Use sufficient grip to maintain control of the tool while allowing tool to recoil away from work surface as nail is driven. Do not attempt to prevent the recoil by holding the tool with excessive force against the work piece.** The tool will recoil as the nail is driven. This is normal function for the tool. Restriction to the recoil can result in second nail being driven when the tool is in "bump firing" mode.

**Use caution when operating the tool in confined areas.** If the work contact element is allowed to re-contact the work surface before trigger is released, an unwanted nail will be fired if the tool is set in "bump firing" mode.

**In order to avoid undesirable double fire, take the following actions when the tool is in the following firing modes:**

**Sequential firing:**

1. **Ensure trigger is in sequential fire mode.**
2. **Pull the trigger firmly and release.**

**Bump firing:**

1. **Do not press the tool against the wood with excessive force.**
2. **Allow the tool to separate from the wood as it recoils after nailing.**

**Never drive nails near flammable materials.** Some types of nails can spark out of the nose during driving operation.

**Know what is behind your work piece. Do not fire nails into walls or floors without assuring the area on the opposite side is clear.** A nail could travel through the work piece, striking someone.

**Do not drive a nail on top of another nail.** This could cause the nail to be deflected or the tool to react in an unexpected manner.

**Do not attempt to drive nails at a steep angle.** This could cause the nail to be deflected or the tool to react in an unexpected manner.

**Use care when nailing thin material or when working near the edges and corners of the work piece.** Nails may drive through or away from the work piece and injure yourself or someone else. Be aware that the nail may follow the grain of the wood causing it to protrude unexpectedly from the side of the work material. Drive the nails perpendicular to the grain.

**Do not drive nails into walls, floors or other work areas without knowing what may be damaged by the driven nails.** Nails driven into live electrical wires, plumbing, gas piping, or other types of obstructions can result in electrocution, explosion, personal injury and/or property damage.

**Make sure the pressure of the compressor is adjusted so that nails are driven flush into the work piece and not pushed completely through.** The correct pressure is the lowest pressure that will do the job.

**Keep face and body parts away from back of the top cap when working in restricted areas.** Sudden recoil can result in impact to the body especially when nailing into hard or dense material.

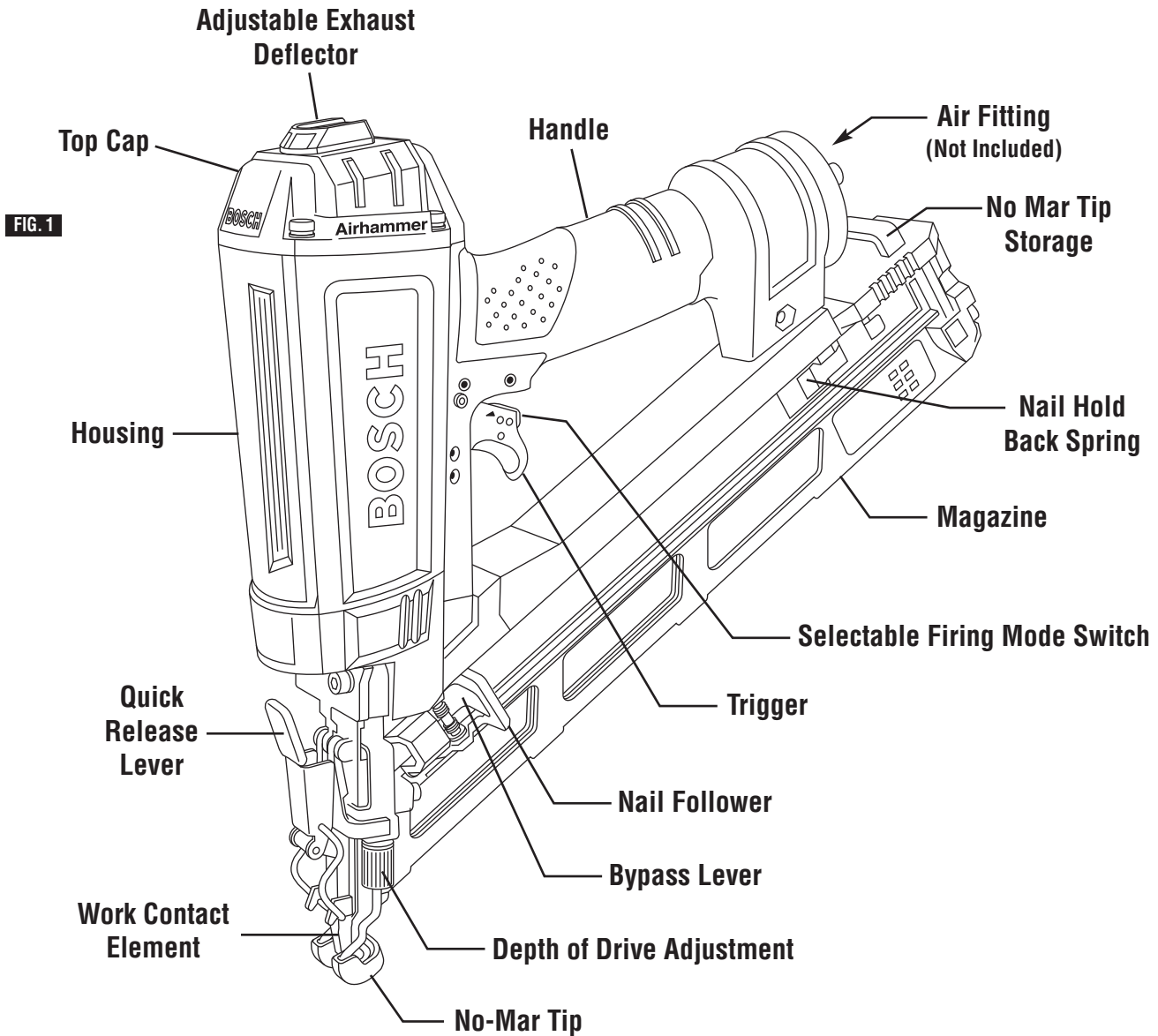
**Handle tool carefully.** Because of high air pressure in the tool, do not drop the tool or strike the tool against hard surfaces; and do not scratch, stamp, nor engrave signs on the tool. The tool may burst.

**Always disconnect tool from air supply and remove nails from magazine before leaving the area or passing tool to another operator.** This avoids the risk of unintentional operation.

**Do not disconnect air hose from the tool with finger on trigger or the work contact element depressed.** The tool can fire when reconnected to air supply.

# Functional Description and Specifications

**⚠ WARNING** Disconnect the tool from the air source before making any adjustments, changing accessories or storing the tool. Such precautionary safety measures reduce the risk of unintentional tool operation.



**Specifications**

Product Size:  
 Height - 12.1 in.  
 Width - 3.1 in.  
 Weight: 4.1 lbs.  
 Normal Operating Pressure: 60 to 120 PSI  
 Magazine Capacity: 100 Nails  
 Maintenance: Oiling  
 Firing Modes: Bump Fire or Sequential Fire  
 Air Consumption, one shot per second @ 100 psi: 3.1 CFM

**Maximum Capacities**

Nails: Diameter 15 gage  
 Length (Range): 1-1/4 in. to 2-1/2 in.  
 Nail Loading & Change Out: Back

**Additional Features**

Tool-Less No-Mar Tip

## Assembly / Installation

Follow the instructions below to prepare your tool for operation.

1. All tool operators and their immediate supervisors must become familiar with the operator safety instructions before operating the tool. The instructions begin on page 3 of this manual.
2. Included with each tool are one copy of these Operating/Safety Instructions and one copy of the Tool Schematic. Keep these publications for future reference.
3. Install a filter, regulator, lubricator unit and moisture trap on your air delivery system per the manufacturer's instructions for these devices. Additionally, install a pressure gauge as close as practical to the tool, preferably within ten feet.
4. Select hoses with a minimum inner diameter of 3/8 inches and a maximum length of 100 feet.

**⚠ WARNING** To reduce the risk of injury from a hose bursting, select hoses that are rated at least 200 PSI.

5. Select fittings that are appropriately sized for the selected hoses. The tool and air hose must have a hose coupling such that all pressure is removed from the tool when the coupling joint is disconnected.

**⚠ WARNING** Never use non relieving couplers and/or female quick disconnect couplings on the tool. Non relieving couplings and female couplings will trap high pressure air in the tool when the air line is disconnected. This will leave the tool charged with enough air after it has been disconnected to drive a nail. Only MALE pneumatic type air connectors should be fitted to the tool, so that high pressure air in the tool is vented to atmosphere as soon as the air line is disconnected.

6. Set the regulator at the air delivery system to a PSI that falls within the tool's operating range of 60 to 120 PSI. The correct pressure is the lowest pressure that will do the job.
7. If the operator is working at a bench or table, it is recommended to run the air line underneath the bench. A small tray under the bench top can hold the nail supply and the tool when not in use.

## Operation

### Actuation System

Your tool is equipped with two devices that require actuation before the tool will fire, the work contact element and the finger trigger. There are two selectable modes, built into the trigger, that determine how the tool fires nails.

**“Sequential” Firing Mode:** In “sequential” firing mode, there is a predetermined sequence required to fire a nail. The work contact element must first be depressed against the work piece. A nail will then fire when the trigger is depressed. To fire another faster, the work contact element must be removed from the work piece, the trigger must be released. The sequence can then be repeated.

**“Bump” Firing Mode:** In “Bump” firing mode, nails can be fired each time the work contact element is depressed with the trigger depressed. With the trigger continuously depressed, a nail will fire each time the work contact element is depressed against the work piece. This allows for nails to be fired at a faster rate.

Each mode is described in detail in the “Firing Modes” section of this manual.

**⚠ WARNING** Understand the differences between actuation modes for this tool. Using the tool in an inappropriate mode may cause tool to react in an unexpected manner and may result in personal injury.

**⚠ WARNING** Verify the setting of the Selectable trigger switch before using the tool. Using the tool before verifying the actuation mode may cause tool to react in an unexpected manner and may result in personal injury.

# Operation

## Lubrication

If the tool is not used with an in-line lubrication system on the air supply it is necessary to periodically lubricate the tool with air tool lubricant.

Under low use, lubricate once a day. Under heavy use, lubricate twice a day. To lubricate, insert 2-3 drops of lubricant into the air supply fitting attached to the tool handle, see figure 2. Using too much oil will cause it to collect in the tool and be noticeable in the exhaust.

**⚠ WARNING** Use only the air tool lubricants supplied with the tool or specified by BOSCH. Do not use other lubricants as they may damage the tool.

Do not use detergent oil, WD-40, transmission fluid, motor oil, or other lubricants not specifically designated as air tool lubricants. These lubricants will cause accelerated wear to the seals, o-rings, and bumpers in the tool, resulting in poor tool performance and frequent maintenance.

BOSCH recommended lubricants: 10W Pneumatic Tool Oil, Fuchs Air Lube 10W/NR.

## Nail Loading

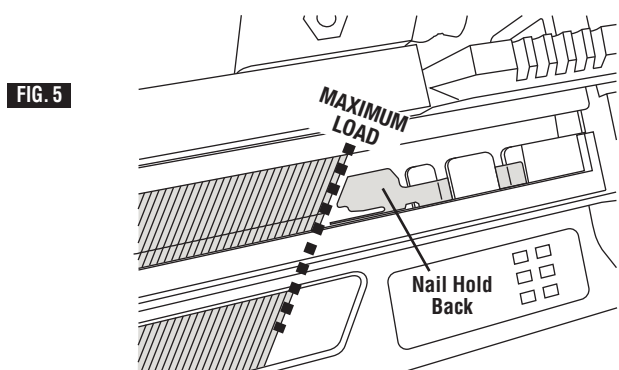
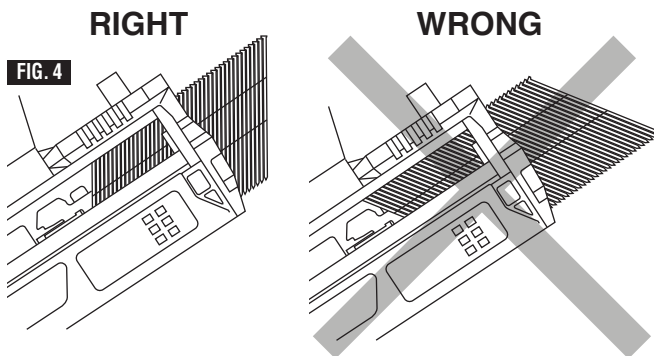
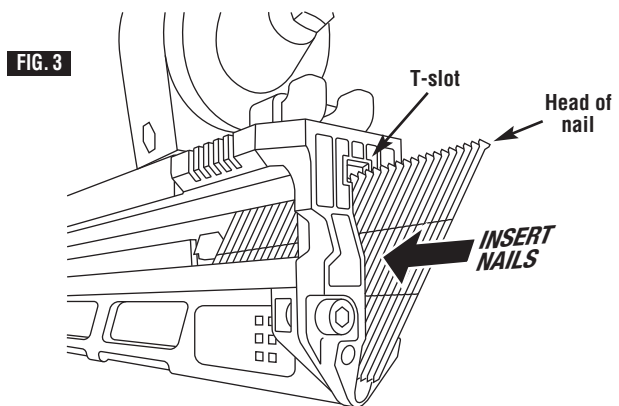
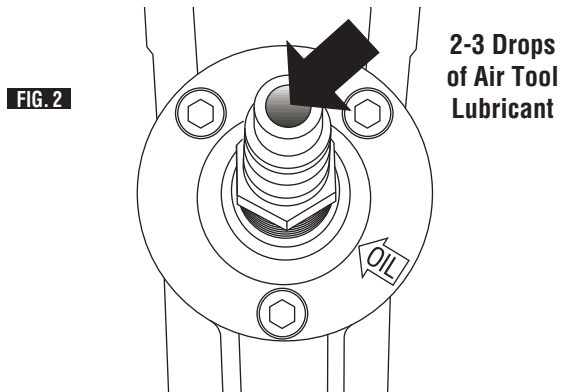
**⚠ WARNING** Always load nails into the tool's magazine before the air supply is connected. Connecting the air supply after loading nails reduces the risk of unintentionally driving a nail and injuring yourself or someone else.

**⚠ WARNING** When loading the tool's magazine, check that the nail follower slides smoothly by pulling with finger. If not smooth, nails can be driven at irregular angle.

1. Insert appropriate collated nail strips into loading slot in back of magazine, see figure 3. See tool specifications to determine appropriate nail sizes and angles.
2. Orient a strip of approved nails with the tips pointed down, the nails should be inserted with the tips first into the slot, see figure 4, and to align the head of the nail with the top "T" portion of the slot. Insert nails fully into magazine making sure that the last nail in the strip slides past the Nail Hold Back Spring, see figure 5.

**Note:** The tool features a nail follower lockout that will prevent the tool from firing when there are zero nails left in the magazine. The tool will not allow the work contact element to be depressed when there are no nails in the tool.

**⚠ WARNING** Use only the nails meeting the criteria listed in the "Specification" section of this manual. Nails not identified for use with this tool can cause the tool to malfunction and result in the risk of injury and/or tool damage.



## Operation

- This tool uses a spring loaded bypass lever in order to load and unload the nails. Once the nails are properly inserted, pull the follower completely to the back of the magazine, pressing against the bypass lever of the follower, see figure 6.
- Once the follower hits the back of the magazine, allow the follower to slide forward and engage the nails, pushing them to the nose of the tool, see figure 7.

**⚠ WARNING** Watch for pinch points with the follower. Never place any part of your body in a pinch point area. When loading nails consider where your hand is located. If it is within a pinch point, strongly consider an alternative position. Injuries occur when hands or fingers are between moving and stationary parts during the pinching movement.

### Connecting Air Supply

**⚠ WARNING** Never use oxygen or other bottled gases as a power source. Explosion may occur. Combustible gases and other bottled gases are dangerous and may cause the tool to explode.

**⚠ WARNING** Never connect the tool to an air source that is capable of producing air pressure exceeding 200 PSI. Excessive pressure can cause abnormal operation or cause the tool to burst, resulting in personal injury.

Use only clean, dry, regulated compressed air within the pressure range as marked on the tool. The correct pressure is the lowest pressure that will do the job.

Before connecting the tool to the air supply, check the air compressor regulator gauge to be sure it is functioning properly, and that the air pressure is within the operational range of the tool, 60-120 psi.

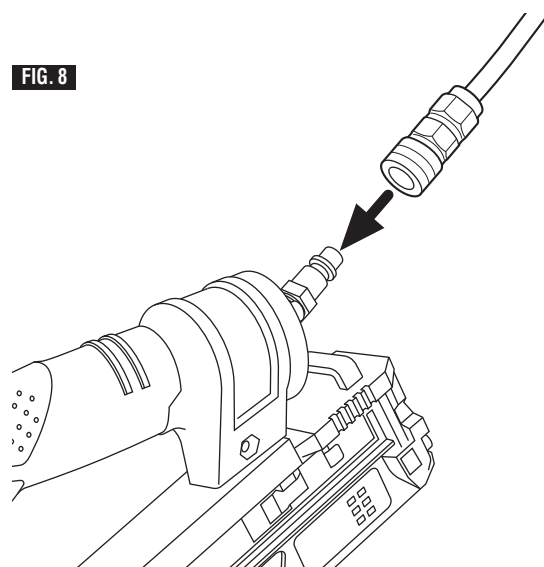
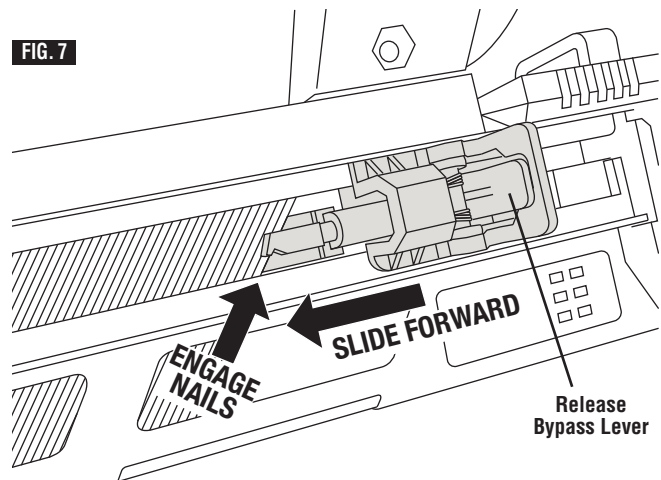
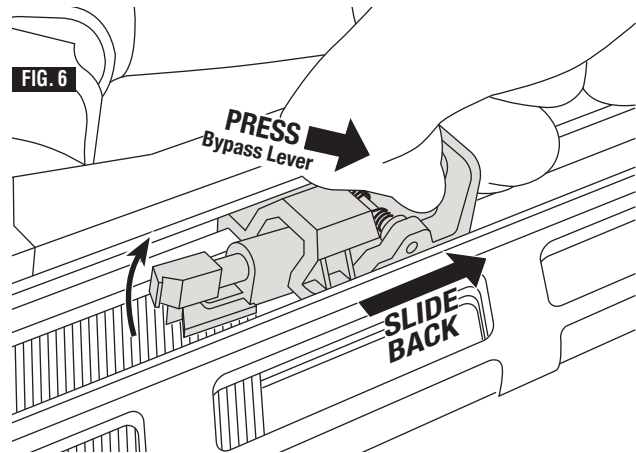
**⚠ WARNING** Do not exceed maximum recommended air pressure marked on the tool. Verify prior to using the tool that the air source has been adjusted within the rated air-pressure range. Be sure the air pressure gauge is operating properly and check it at least twice a day. Tools operated in excess of their maximum pressure rating may operate abnormally or burst resulting in personal injury.

To connect the tool to the compressor only use pneumatic air hoses that meet the following criteria:

- Minimum hose pressure rating, 200 psi
- Minimum hose inner diameter, 3/8 in.
- Maximum hose length, 100 ft.

#### To connect the air supply:

1. Snap the air hose onto the quick connector, see figure 8.
2. Check for air leakage. If leakage is noted, cease using the tool immediately and contact your BOSCH service center.
3. Be sure the air pressure gauge is operating properly and check it at least twice a day.





# Operation

## Firing Modes

The tool is equipped with a trigger that can select one of two firing modes.

### “Sequential” Firing Mode:

To use the tool to drive nails in this actuation mode, the work contact element and trigger must be used in a specific order:

1. Press and turn the selectable fire mode switch in the downwards position. On the trigger, the firing mode indicator should be pointing at the single nail icon, see figure 9.
2. The work contact element must be completely depressed by placing the nose of the tool against the work piece, see figure 10.
3. The trigger must be pulled firmly and then released, see figure 10.
4. The tool must be allowed to recoil away from the work piece.

To continue operation in a separate location, move the tool along the work piece, repeating steps 2 through 4 as required.

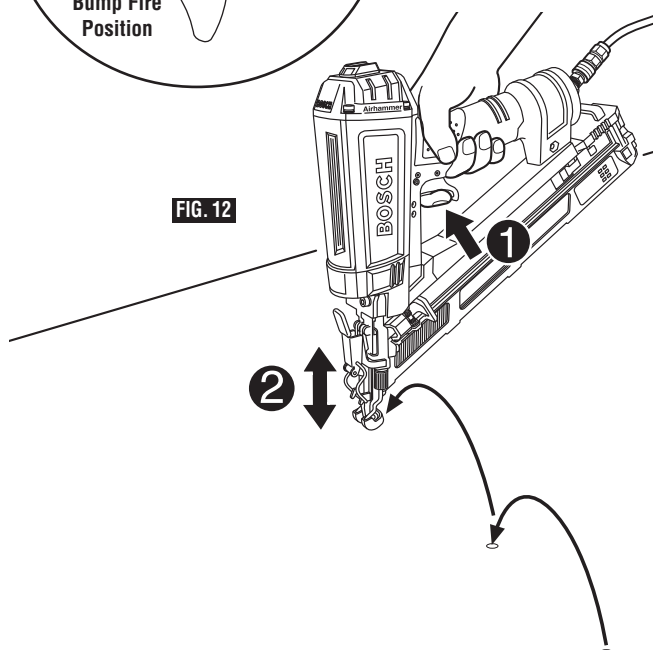
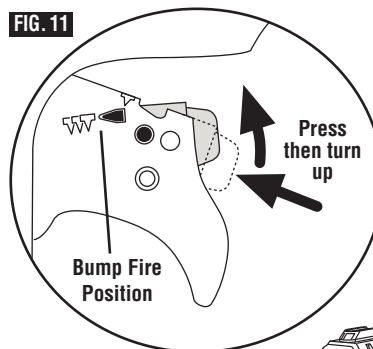
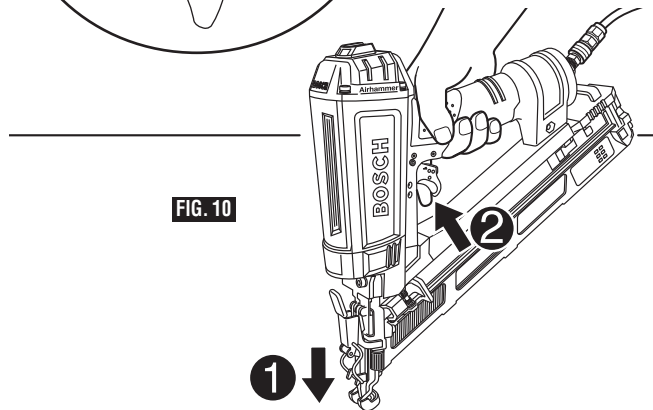
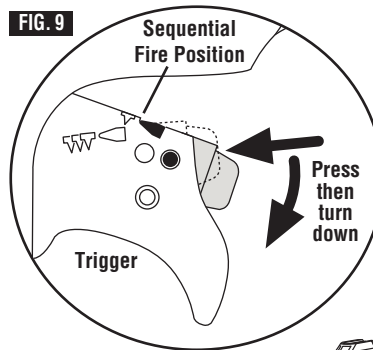
### “Bump” Firing Mode:

To use the tool to drive nails in this actuation mode the work contact element and trigger can be actuated in any order.

1. Press and turn the selectable fire mode switch in the upwards position. On the trigger the actuation mode indicator should be pointing at the multi-nail icon, see figure 11.
2. Pull and hold the trigger with the tool off the work piece.
3. Press the work contact element against the work piece. A nail will be driven, see figure 12.
4. The tool must be allowed to recoil away from the work piece.
5. Move the tool along the work piece with a bouncing motion. Each time the work contact element is depressed a nail will be driven, see figure 12.
6. As soon as the desired number of nails has been driven, remove finger from trigger.

**⚠ WARNING** Remove finger from the trigger when not driving nails. Always carry the tool by the handle only. Removing your finger from the trigger when not operating the tool reduces the risk of unintentionally firing a nail and injuring yourself or someone else.

**⚠ WARNING** The tool must be allowed to recoil away from the work piece. Do not drive a nail on top of another nail. If the tool is not moved before the trigger is pulled again a second nail will be driven on top of the previously driven nail. This could cause the nail to be deflected or the tool to react in an unexpected manner.



# Operation

## Cold Weather Operation

When using the tool in cold conditions the tool will cycle slower than usual while driving the first nails. The cycle rate will increase as the tool warms up. Keep tool warm to avoid reduced cycle rate.

**⚠ WARNING** Do not use a frozen tool. Allow tool to thaw before using. Moisture frozen in the tool may impede internal components resulting in the risk of injury and/or tool damage.

## Nail Unloading

**⚠ WARNING** Always disconnect tool from air supply before removing nails from magazine. This avoids the risk of unintentional operation.

**⚠ WARNING** Do not disconnect air hose from the tool with finger on trigger or work contact element depressed. The tool can fire when reconnected to air supply.

1. Disconnect air supply.
2. Pull back follower, pressing bypass lever of the follower to allow follower to bypass nails and slowly allow follower to return to nose of the tool, see figure 13.
3. Tilt the tool with the magazine vertical and the nose facing up, this will allow the nails to slide to the back of the magazine.
4. Once the nails have slid back to the hold back spring, press the tab on the hold back spring to push the spring back and allow the nails to come out of the magazine, see figure 14.

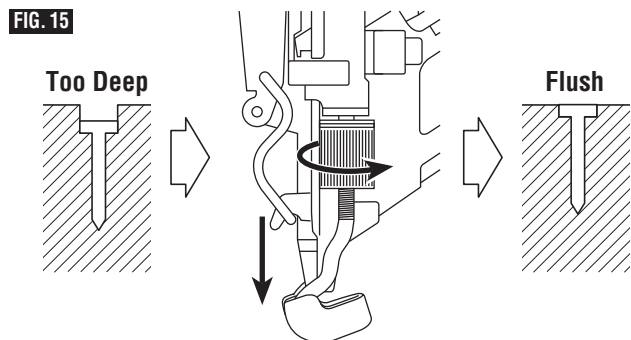
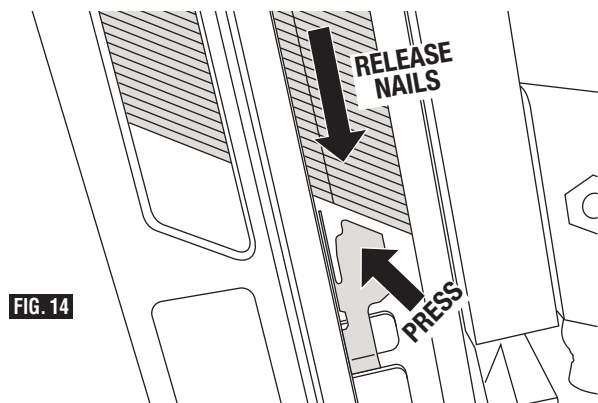
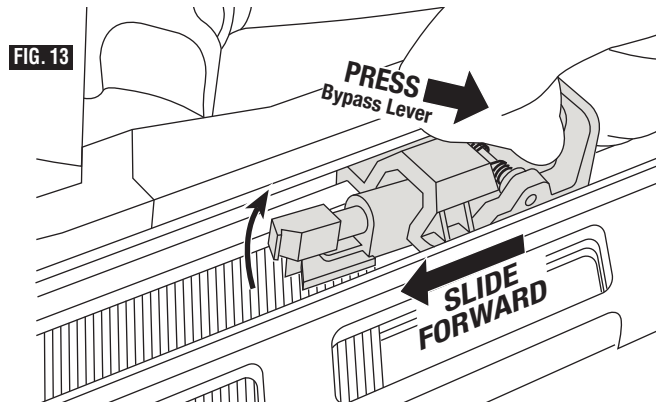
**⚠ WARNING** Do not allow the nail follower to freely recoil. Guide the follower by hand until it reaches its full forward position. Free recoil of the follower could result in damage to the follower and/or magazine or your fingers could become pinched.

## Depth of Drive Adjustment

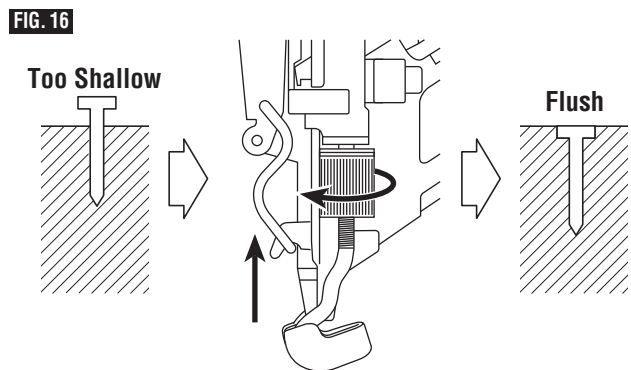
The depth with which nails are driven into the work piece can be adjusted using the depth adjustment on the nose piece of the tool.

**⚠ WARNING** Disconnect the tool from the air source before making adjustments. Such precautionary safety measures reduce the risk or unintentional tool operation.

1. Disconnect tool from air supply.
2. Remove nails from tool as described in the "Nail Unloading" section of this manual.
3. Adjust tool driving depth:
  - To reduce the nail depth, turn the adjustment knob counter clockwise, see figure 15.



Turn the adjustment knob counter clockwise.



Turn the adjustment knob clockwise.

## Operation

- To drive the nail deeper, turn the adjustment knob clockwise, see figure 16.
4. Reload nails as described in the "Nail Loading" section of this manual.
  5. Reconnect air supply

**⚠ WARNING** Know what is behind your work piece. Do not fire nails into walls or floors without assuring the area on the opposite side is clear. A nail could travel through the work piece, striking someone.

### Jam Clearing

**⚠ WARNING** Disconnect the tool from the air source before attempting to clear a jammed nail. Such precautionary safety measures reduce the risk or unintentional tool operation.

If a nail becomes jammed in the nosepiece, follow these instructions to remove the jammed nail:

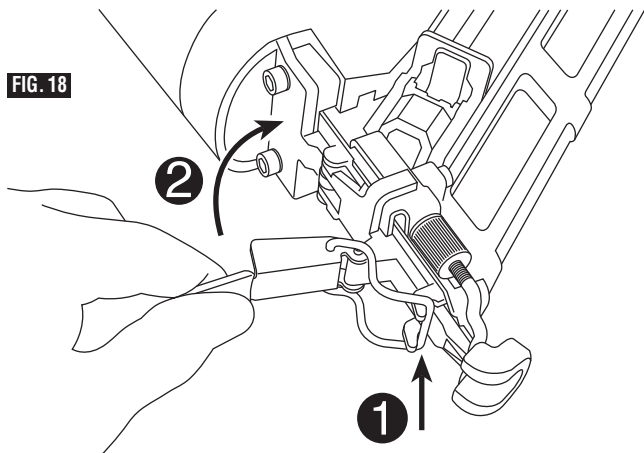
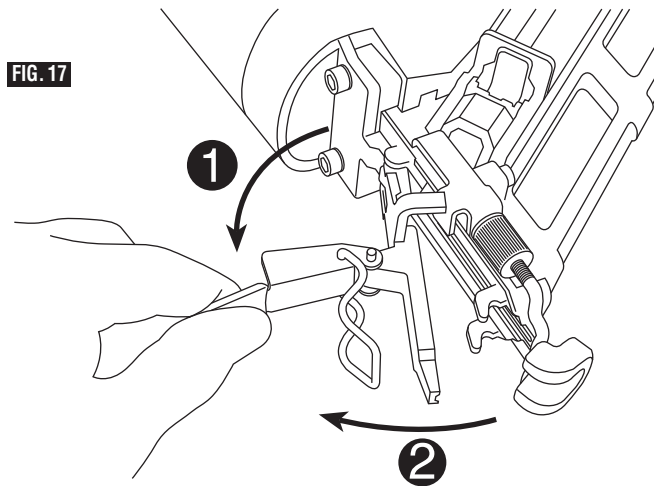
1. Release the trigger.
2. Disconnect the air supply from the tool.
3. Remove nails from the magazine as described in "Nail Unloading."
4. Open the nose of the tool by pulling quick release lever forward. Pull open the nose of the tool to access the nail jam, see figure 17.
5. Remove the nail, using pliers if necessary.
6. Close the nose of the tool by hooking the spring of the quick clear lever on the two hooks on the nose. Press the lever closed, see figure 18.
7. Reinsert nails into the magazine as described in "Nail Loading".
8. Reconnect air supply as described in "Connecting Air Supply".

**NOTE:** If the driver blade does not return to its up position, disconnect air supply and contact a Bosch factory service center or authorized Bosch service station.

**NOTE:** If nails continue to jam frequently in the nose piece, contact BOSCH service center for repair.

### Adjustable Exhaust Deflector

This tool has an adjustable exhaust deflector that allows the exhaust air to be blown away from user or workpiece.



# Maintenance

## Service

**⚠ WARNING** Maintenance performed by unauthorized personnel may result in misplacing of the internal components which could cause serious hazard. We recommend that all tool service be performed by a BOSCH factory service center or authorized BOSCH service station.

Contact your BOSCH service center for instructions and the following user replaceable parts; o-rings, bumpers, and driver blades.

For all other repairs contact your BOSCH service center.

## Cleaning

**⚠ WARNING** When cleaning a tool be careful not to disassemble any portion of the tool since internal components may be misplaced or safety components may be improperly mounted. Certain cleaning agents such as gasoline, carbon tetrachloride, ammonia, etc. may damage plastic parts and o-rings.

**⚠ WARNING** Do not attempt to clean by inserting pointed objects through openings. Sharp edges may damage internal components causing a serious hazard.

Ventilation openings, the work contact element, and the trigger must be kept clean and free of foreign matter. Periodically clean the tool with compressed air.

Clean the magazine. Remove plastic or wooden chips which may have accumulated in the magazine. Lubricate the magazine with pneumatic tool lubricant.

## Storage

When not in use, the tool should be disconnected and stored in the storage case in a warm and dry place. When tool will not be in use for an extended period, apply a thin coat of the lubricant to the steel parts to avoid rust.

Do not store the tool in a cold weather environment.

**⚠ WARNING** Keep out of reach of children and personnel unfamiliar with tool operation. Lock the storage area. Tools are dangerous in the hands of personnel unfamiliar with the tool.

ACTION	WHY	HOW
Drain air line filter daily.	Prevent accumulation of moisture and dirt.	Open manual valve.
Keep lubricator filled	Keep the Nailer lubricated	Fill with BOSCH pneumatic tool lubricant.
Clean filter element - then blow air through filter in direction opposite to normal flow.	Prevent clogging of filter with dirt.	Follow manufacturer's instructions.
Clean magazine and feeder	Prevent a jam.	Blow mechanism clean daily.
Keep work contact element working properly	Promote operator safety and efficient tool operation.	Blow clean daily.
Lubricate the tool.	Extend tool life.	Place 2-3 drops of lubricant into the tool as directed.
Drain air compressor.	Keep water out of tool.	Open valve on air compressor tank.

## Accessories

### No-Mar Pad

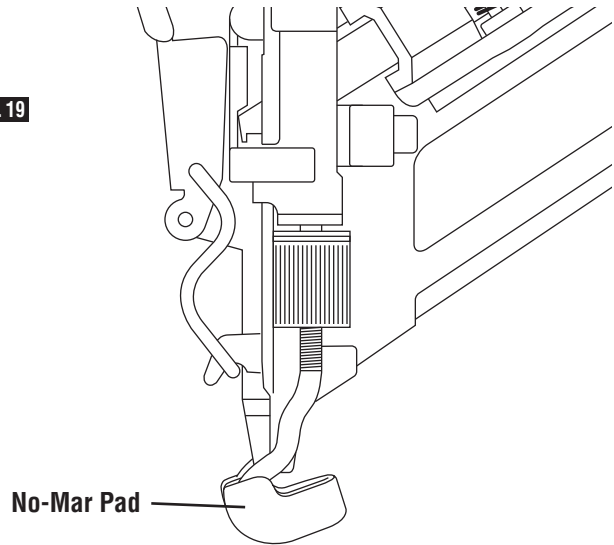
The No-Mar Pad on the nose of the work contact element protects the work piece from the work contact element toe nailing teeth when the work piece contact is compressed during actuation. The pad can be removed and replaced.

**⚠ WARNING** Disconnect the air supply from the tool and remove nail strips before removing or replacing no-mar pads. Such precautionary safety measures reduce the risk of unintentional tool operation.

**To remove the pad:** Pull the no mar tip towards the back of the tool following the bend of the wire nose.

**To replace the pad.** Push the no mar tip on to the tool inserting the opening of the no mar tip on to the wire nose.

FIG. 19



### Compressor

A correctly sized compressor is critical for maximum tool performance. Use the following calculation to determine the required compressor size.

$$\text{Compressor size (CFM)} = \frac{\text{Air Consumption (CFM)}}{60} \\ \times \text{Shots per minute} \times \text{Number of tools} \times 1.2$$

Air Consumption, one shot per second @ 100 psi: 3.1 CFM

## Troubleshooting

PROBLEM	SYMPTOMS	RESOLUTION
Nailer operates, but no nail is driven.	<ul style="list-style-type: none"> <li>• Check for a jam.</li> <li>• Check function of nail follower.</li> <li>• Follower spring weakened or damaged?</li> <li>• Check for proper nails.</li> <li>• Verify tool is loaded.</li> </ul>	<ul style="list-style-type: none"> <li>• Clear a jam.</li> <li>• Clean and lubricate.</li> <li>• Replace follower spring.</li> <li>• Use only recommended nails.</li> <li>• Reload tool.</li> </ul>
Nail driving action seems slow or weak.	<ul style="list-style-type: none"> <li>• Check air pressure is in operational range.</li> <li>• Driver blade worn?</li> <li>• Piston O-ring worn or damaged?</li> <li>• Bumper worn?</li> <li>• Check recommend hose diameter and length.</li> </ul>	<ul style="list-style-type: none"> <li>• Increase air pressure (Do not exceed 120 psi).</li> <li>• Use pneumatic tool lubricant.</li> <li>• Contact Bosch for replacement or repair.</li> <li>• Replace Bumper.</li> <li>• Follow recommendations.</li> <li>• Check hose for kinks.</li> </ul>
Tool drives nails too deep.	<ul style="list-style-type: none"> <li>• Check air pressure.</li> <li>• Check Depth of Drive.</li> <li>• Check bumper wear.</li> </ul>	<ul style="list-style-type: none"> <li>• Reduce air pressure. Min. Operational pressure 60 psi.</li> <li>• Use "Depth of Drive Adjustment".</li> <li>• Replace bumper.</li> </ul>
Tool drives nails too shallow.	<ul style="list-style-type: none"> <li>• Check air pressure.</li> <li>• Check Depth of Drive.</li> <li>• Check recommend hose diameter and length.</li> </ul>	<ul style="list-style-type: none"> <li>• Increase air pressure. Max. Operational pressure 120 psi.</li> <li>• Use "Depth of Drive Adjustment".</li> <li>• Follow recommendations.</li> <li>• Check hose for kinks.</li> </ul>
Tool skips nails or has intermittent feed.	<ul style="list-style-type: none"> <li>• Check for proper nails.</li> <li>• Check function of magazine per page 7.</li> <li>• Follower spring weakened or damaged?</li> <li>• Piston O-ring cut or heavily worn?</li> </ul>	<ul style="list-style-type: none"> <li>• Use only recommended nails.</li> <li>• Clean and lubricate.</li> <li>• Replace follower spring.</li> <li>• Contact Bosch for replacement.</li> </ul>
Nails jam frequently.	<ul style="list-style-type: none"> <li>• Check for proper nails.</li> </ul>	<ul style="list-style-type: none"> <li>• Use only recommended.</li> </ul>
Driven nails are bent.	<ul style="list-style-type: none"> <li>• Driver blade worn?</li> </ul>	<ul style="list-style-type: none"> <li>• Contact Bosch for replacement.</li> </ul>
Nails driven properly during normal operation, but does not drive fully at faster nailing speeds.	<ul style="list-style-type: none"> <li>• Check inside diameter of air hose.</li> <li>• Check suitability of compressor.</li> </ul>	<ul style="list-style-type: none"> <li>• Use correct air hose.</li> <li>• Use correctly sized compressor for number of tools used and work rate.</li> </ul>

# Consignes générales de sécurité pour les outils pneumatiques

**AVERTISSEMENT** TOUS LES UTILISATEURS ET EMPLOYEURS/PROPRIÉTAIRES DOIVENT LIRE ET COMPRENDRE TOUTES LES INSTRUCTIONS DE CE MODE D'EMPLOI AVANT D'UTILISER CET OUTIL OU DE PROCÉDER À SON ENTRETIEN. Le non-respect des instructions indiquées plus bas risque de causer un choc électrique, une blessure personnelle grave ou même la mort.

## CONSERVER CES INSTRUCTIONS

### Espace de travail

**Gardez votre espace de travail propre et bien éclairé.** Les établis encombrés et les zones mal éclairées augmentent les risques d'accidents, de chocs électriques, d'incendies et de blessures aux personnes.

**N'utilisez pas d'outils pneumatiques dans des atmosphères explosives, comme en présence de liquides, de gaz ou de poussières inflammables.** L'outil peut produire des étincelles qui risquent d'enflammer la poussière ou les fumées. N'utilisez jamais l'outil à des endroits où il y a de la laque, de la peinture, de la benzine, du diluant, de l'essence, des gaz, des agents adhésifs ou d'autres matériaux qui sont combustibles ou explosifs.

**Ne laissez pas d'autres personnes, des enfants et autres visiteurs s'approcher d'un outil pneumatique en marche.** Des distractions risquent de causer une perte de contrôle de l'outil. Des fragments d'éléments de fixation pourraient causer des blessures aux personnes présentes.

**Ne chahutez jamais avec l'outil.** Respectez l'outil comme instrument de travail.

### Sécurité personnelle

**Il ne faut pas retirer ou altérer les commandes de l'outil, ou les désactiver ou les rendre inutilisables de quelque façon que ce soit.** Ceci causerait un fonctionnement irrégulier de l'outil et risquerait de causer des blessures.

**Habillez-vous de façon appropriée. Ne portez pas de vêtements lâches ou de bijoux. Confinez les cheveux longs. Gardez vos cheveux, vêtements et gants à distance des pièces en mouvement.** Les vêtements lâches, les bijoux et les cheveux longs risqueraient d'être happés par des pièces en mouvement et augmenter le risque de blessure.

**Portez toujours des équipements de protection des yeux et des oreilles lorsque vous utilisez cet outil. Utilisez des équipements de protection individuelle additionnels suivant les besoins lorsque vous utilisez cet outil.** Les opérateurs et les autres personnes se trouvant sur le lieu de travail doivent porter des lunettes de sécurité avec des écrans de protection latéraux, et ils doivent s'assurer que toutes les autres personnes se trouvant à proximité portent des lunettes de sécurité. Les lunettes de sécurité doivent être conformes aux stipulations de l'American National Standards Institute, ANSI Z87.1, et elles doivent assurer une protection contre les particules atmosphériques sur le devant comme sur les côtés. Une exposition prolongée à des bruits de grande intensité risquerait de causer une perte auditive. Il faut utiliser un masque antipoussières, des chaussures de sécurité à semelle antidérapante, un casque et d'autres équipements de protection individuelle en fonction des conditions de travail.

**Gardez les poignées sèches, propres et sans huile ni graisse.** Des mains glissantes ne peuvent pas contrôler l'outil de façon sûre.

**Évitez de diriger l'air d'échappement sortant de l'outil vers votre visage et vos yeux, ou vers ceux des autres personnes présentes.** L'air d'échappement d'un outil peut contenir de l'eau, de l'huile, des particules de métal ou des contaminants du compresseur, qui pourraient être projetés dans les yeux ou causer d'autres blessures graves. Utilisez l'évent réglable pour diriger l'air d'échappement dans le sens opposé de celui où se trouve l'opérateur.

**Restez alerte. Surveillez toujours ce que vous êtes en train de faire et faites preuve de bon sens quand vous utilisez un outil pneumatique. N'utilisez pas l'outil lorsque vous êtes fatigué ou sous l'influence de drogues, d'alcool ou de médicaments.** Un moment d'inattention pendant que vous utilisez l'outil pourrait causer des blessures corporelles graves.

**Évitez tout mouvement accidentel de l'outil. N'appuyez pas sur la gâchette pendant que vous êtes en train de connecter l'outil à la source d'alimentation en air.** Ne transportez pas l'outil avec votre doigt sur la gâchette, et ne connectez pas l'outil à la source d'alimentation en air alors que l'interrupteur est sur « On » (Marche).

**Faites attention de ne jamais perdre l'équilibre. Soyez toujours bien stable et équilibré sur vos pieds.** La stabilité et un bon équilibre vous permettent de mieux contrôler l'outil dans des situations inattendues.

**Assurez-vous que le tuyau d'air n'est pas obstrué ou partiellement bouché. N'attachez pas un tuyau d'air ou l'outil sur votre corps.** Des tuyaux emmêlés ou enchevêtrés risquent de vous perdre l'équilibre et de vous faire tomber, en plus du risque d'utilisation accidentelle de l'outil. Attachez le tuyau à la structure pour réduire le risque de perte d'équilibre si le tuyau bougeait.

### Utilisation et entretien de l'outil

**Utilisez cet outil et ses accessoires conformément aux instructions.** Les outils et leurs accessoires doivent être utilisés dans le but pour lequel ils sont conçus. L'emploi de l'outil pneumatique pour des opérations différentes de celles qui sont décrites dans ce mode d'emploi peut créer une situation dangereuse.

**Utilisez seulement des accessoires qui sont recommandés par BOSCH pour votre modèle particulier.** Des accessoires qui peuvent être recommandés pour un modèle d'outil particulier ne sont peut-être pas appropriés pour d'autres modèles d'outils et pourraient causer des blessures corporelles.

**Inspectez l'outil avant chaque utilisation. N'utilisez pas cet outil si une partie quelconque de l'outil est lâche, manquante, endommagée, défectueuse, déconnectée ou altérée.** Si l'outil ne semble pas fonctionner normalement et/ou s'il fait des bruits inhabituels, cessez immédiatement de l'utiliser et contactez votre centre de service après-vente local. Il existe un risque d'éclatement si l'outil est endommagé.

**Ne forcez pas l'outil. Utilisez l'outil correct en fonction de votre application.** L'outil correct fera mieux le travail et avec plus de sécurité à la vitesse pour laquelle il a été conçu.

**N'utilisez pas l'outil avec une source d'alimentation électrique différente de ce qui est indiqué dans les consignes d'utilisation et de sécurité de l'outil.** L'utilisation de sources d'alimentation électrique différentes pourrait causer un mauvais fonctionnement de l'outil et de la source d'alimentation électrique, ce qui risquerait de vous blesser grièvement ou de blesser grièvement d'autres personnes se trouvant près de vous.

**Débranchez l'outil de la source d'alimentation en air quand il n'est pas utilisé.** Si vous laissez l'outil sans surveillance avec la source d'alimentation en air connectée, vous risquez de permettre son utilisation par des tiers qui le maîtrisent mal.

**Débranchez l'outil de la source d'alimentation en air avant de procéder à des réglages, de déboucher un tuyau obstrué ou de détacher des éléments de fixation, de vous éloigner de l'aire de travail, d'effectuer une opération de maintenance de l'outil ou de le ranger.** De telles mesures de précaution réduisent le risque d'utilisation accidentelle de l'outil.

**Ne transportez jamais l'outil en le tenant par le tuyau.** L'outil, les garnitures et le tuyau d'air pourraient être endommagés en conséquence.

**Utilisez des pinces ou un autre moyen pratique d'assujettir et de supporter l'ouvrage sur une plateforme stable.** Le maintien de l'ouvrage à la main ou contre votre corps est instable et risque de causer la perte de contrôle de l'outil ou une blessure corporelle.

**La pression correcte est la pression la plus faible qui permettra de faire le travail.** Suivez toujours les recommandations correspondant à l'outil concerné.

**Entretenez soigneusement les outils.** Des outils entretenus correctement risquent moins de se casser et de causer des blessures. Toute altération ou modification est considérée comme une utilisation abusive et risque de produire une situation dangereuse.

## Service

**Toute opération de maintenance réalisée par du personnel non autorisé risque de causer un repositionnement erroné de composants internes et de créer ainsi des dangers graves.** Nous recommandons que toutes les opérations de maintenance et de réparation soient effectuées dans un centre de service usine BOSCH ou dans une station service agréée BOSCH.

**Préparez un programme de maintenance périodique pour votre outil.** Lorsque vous nettoyez un outil, faites attention de ne pas démonter une partie quelconque de l'outil étant donné que des composants internes risqueraient d'être mal remis en place ou que des composants nécessaires à la sécurité risqueraient d'être remontés incorrectement. Certains produits de nettoyage, tels que l'essence, le tétrachlorure de carbone, l'ammoniac, etc. risquent d'endommager les composants en plastique et les joints toriques.

**Utilisez seulement des pièces de rechange recommandées par BOSCH lors de toute opération de réparation.** Suivez les instructions de la rubrique Maintenance de ce mode d'emploi. L'utilisation de pièces non autorisées ou le non-respect des instructions de maintenance pourrait causer un risque de blessure.

**Utilisez seulement les lubrifiants pour outil pneumatique fournis avec l'outil ou spécifiés par BOSCH.** N'utilisez pas d'autres lubrifiants car ils risqueraient d'endommager l'outil. Voir la liste de lubrifiants pour outils pneumatiques recommandés sous la rubrique 'Lubrification'.

## Consignes de sécurité pour les cloueuses pneumatiques

**Assumez toujours que l'outil contient des clous.** Inspectez le magasin pour vous assurer qu'il ne reste pas de clous dans l'outil, même si vous pensez que l'outil est vide ou déconnecté.

**Ne pointez jamais l'outil vers vous ou vers d'autres personnes dans la zone de travail.** Assumez toujours que l'outil contient des clous. L'éjection accidentelle de clous pourrait causer des blessures. L'outil n'est pas un jouet, et il ne doit pas être utilisé comme s'il en était un.

**Retirez le doigt de la gâchette quand vous n'êtes pas en train de clouer.** Transportez toujours l'outil en le tenant par la poignée seulement. Le retrait de votre doigt de la gâchette lorsque vous ne vous servez pas de l'outil réduit le risque d'éjection accidentelle d'un clou, ce qui pourrait vous blesser ou blesser d'autres personnes présentes.

**Remplacez les étiquettes d'avertissement manquantes ou endommagées.** Reportez-vous aux schémas pour déterminer le positionnement correct avec le numéro de pièce.

**Gardez l'outil propre et lubrifié.** Nettoyez l'outil au moins une fois par jour et lubrifiez-le suivant les besoins. N'utilisez jamais un outil sale ou fonctionnant mal.

**Lorsque vous ne vous en servez pas, rangez l'outil hors de la portée des enfants et des autres personnes ne maîtrisant pas le fonctionnement de l'outil.** Quand il n'est pas utilisé, l'outil doit être déconnecté et rangé dans un endroit sec. Gardez hors de la portée des enfants. Verrouillez le lieu de rangement. Les outils sont dangereux s'ils tombent entre les mains d'utilisateurs ne maîtrisant pas leur fonctionnement.

## Source d'alimentation en air

**N'utilisez jamais d'oxygène ou d'autres gaz en bouteille comme source d'alimentation.** Il existerait alors un risque d'explosion. Les gaz combustibles et les autres gaz en bouteille sont dangereux et risquent de causer l'explosion de l'outil.

**N'utilisez que de l'air comprimé propre, sec et contrôlé, et dans la plage de pression nominale indiquée sur l'outil. Ne dépassez pas la pression d'air maximum recommandée, qui est indiquée sur l'outil.** Avant d'utiliser l'outil, vérifiez que la source d'alimentation en air a été ajustée dans la plage de pression d'air nominale. Assurez-vous que le contrôleur de pression d'air fonctionne correctement, et inspectez-le au moins deux fois par jour. Les outils utilisés au-delà de leur pression maximum nominale risqueraient de fonctionner de façon anormale ou d'éclater, ce qui causerait des blessures corporelles.

**Ne connectez jamais l'outil à une source d'alimentation en air qui est capable de produire une pression d'air supérieure à 200 PSI.** Une pression excessive risquerait de causer un fonctionnement anormal ou faire éclater l'outil, ce qui entraînerait une blessure corporelle.

**Prenez les précautions nécessaires en manipulant le tuyau d'air. Protégez le tuyau contre les faux plis, les obstructions, les solvants et les objets tranchants. Gardez le tuyau d'air à distance des sources de chaleur, d'huile, des bords tranchants et des pièces en mouvement.** Remplacez immédiatement les tuyaux endommagés. Les tuyaux endommagés risqueraient d'éclater ou de frapper accidentellement l'opérateur.

**Inspectez tous les raccords, tuyaux et conduits, ainsi que les connexions et le compresseur avant chaque emploi de cet outil. Réparez ou remplacez immédiatement les tuyaux et raccords endommagés ou qui ont des fuites.** L'endommagement d'un tuyau ou d'une connexion risquerait de causer la rupture d'un tuyau sous pression, qui risquerait alors de frapper accidentellement quelqu'un et de causer des blessures.

**Il ne faut pas désactiver ou retirer l'élément de contact avec l'ouvrage.** Cet outil est pourvu d'un mécanisme de sécurité, l'élément de contact avec l'ouvrage, afin de réduire le risque de l'éjection accidentelle de clous. La désactivation de ce composant pourrait causer une éjection accidentelle de clous.

**N'utilisez pas l'outil si l'élément de contact avec l'ouvrage ne fonctionne pas correctement.** Si l'élément de contact avec l'ouvrage ne fonctionne pas correctement, l'outil risque de se déclencher accidentellement.

**N'utilisez jamais de coupleurs sans dégagement et/ou de coupleurs femelles à déconnexion rapide sur l'outil.** Les coupleurs sans dégagement et les coupleurs femelles emprisonneront de l'air sous pression dans l'outil lorsque la conduite d'air sera déconnectée. Ceci laissera l'outil chargé avec suffisamment d'air après sa déconnexion pour éjecter un clou. Seulement des connecteurs à air de type pneumatique



MÂLES doivent être attachés à l'outil, de façon que l'air sous pression présent dans l'outil soit expulsé dans l'atmosphère dès que la conduite d'air est déconnectée.

**Suivez toutes les recommandations pour les types de tuyaux, de raccords et autres accessoires pour l'air comprimé.** Des composants de dimensions incorrectes ou mal ajustés peuvent causer un risque de blessure ou de dommage aux biens.

**Inspectez les conduites d'alimentation d'air pour vous assurer qu'il n'y a pas de restrictions avant de procéder au réglage de l'outil.** Le volume d'air est aussi important que la pression d'air. Un débit d'air restreint empêchera l'outil de fonctionner de la manière prévue, ce qui ralentira son fonctionnement, causera le blocage du mécanisme d'alimentation en clous ou réduira sa puissance d'éjection.

**Chargez toujours les clous dans le magasin de l'outil avant de réaliser le raccordement de l'alimentation en air.** Le raccordement de l'alimentation en air après le chargement des clous réduit le risque d'éjection accidentelle d'un clou et de blessure de l'opérateur ou de personnes se trouvant à proximité.

**Lorsque vous chargez des clous dans le magasin, assurez-vous que les clous sont parallèles au bec de l'outil.** Si les clous ne sont pas parallèles au bec de l'outil, l'outil risque d'avoir des ratés à l'allumage et les clous pourront être déviés, ce qui peut entraîner une réaction imprévue de l'outil et causer des dommages à celui-ci.

**Lorsque vous chargez le magasin de l'outil, assurez-vous que le suiveur de clou glisse en douceur en tirant dessus avec le doigt.** S'il ne glisse pas en douceur, cela signifie que les clous risquent d'être éjectés à un angle irrégulier.

**N'utilisez que des clous conformes aux critères indiqués sous la rubrique « Spécifications » de ce mode d'emploi.** Des clous qui ne sont pas identifiés comme compatibles avec cet outil pourraient causer un fonctionnement incorrect de l'outil et entraîner le risque de blessure et/ou d'endommagement de l'outil.

**Ne connectez pas l'alimentation en air lorsque la gâchette ou l'élément de contact avec l'ouvrage est enfoncé.** Gardez l'outil pointé vers le bas, à distance de vous-même et des autres personnes présentes, lorsque vous connectez le tuyau afin de réduire le risque d'éjection accidentelle de clous.

**Maintenez les mains et les pieds à distance de l'élément de contact avec l'ouvrage de l'outil pendant l'emploi.** Ne mettez jamais les mains ou les pieds à moins de 8 pouces (20 cm) de l'élément de contact avec l'ouvrage de l'outil. La trajectoire des clous peut être déviée par l'ouvrage ou détournée du point d'entrée.

**Le choix de la méthode de déclenchement est important : il faut comprendre les caractéristiques de fonctionnement de chacune des options.** Il y a deux modes de déclenchement possibles : le « déclenchement à éjection séquentielle » et le « déclenchement à éjection par butée ». Lisez et comprenez la section intitulée « Systèmes d'actionnement » pour les détails concernant chaque mode de déclenchement.

**N'utilisez pas un outil gelé.** Laissez l'outil se dégeler avant de vous en servir. L'humidité gelée à l'intérieur de l'outil risquerait d'affecter le fonctionnement de composants internes et de causer des risques de blessure et/ou d'endommagement de l'outil.

**Ne mettez l'outil en marche que quand il est positionné correctement sur l'ouvrage.** Si l'outil n'est pas maintenu en place correctement sur l'ouvrage, le clou risque d'être dévié ou l'outil risque de réagir de façon inattendue.

**Tenez l'outil assez fermement pour pouvoir bien le contrôler tout en lui permettant de rebondir à une certaine distance de la surface de travail lorsque le clou y est enfoncé. Ne tentez pas d'empêcher le rebond en appuyant l'outil avec une force excessive contre l'ouvrage.** L'outil rebondira lorsque le clou sera enfoncé. Ceci est normal pour l'outil. La restriction du rebond pourrait causer l'éjection d'un second clou lorsque l'outil est dans le mode de « déclenchement à éjection par butée ».

**Prenez les précautions nécessaires lorsque vous utilisez l'outil dans des zones restreintes.** Si vous laissez l'élément de contact avec l'ouvrage entrer à nouveau en contact avec la surface de travail avant que la gâchette ne soit relâchée, un autre clou risque d'être éjecté accidentellement si l'outil est dans le mode de « déclenchement à éjection par butée ».

**Afin de ne pas risquer l'éjection non souhaitée de deux clous à la fois, faites ce qui suit lorsque l'outil est dans les modes de déclenchement suivants :**

**Déclenchement à éjection séquentielle :**

1. Assurez-vous que la gâchette est dans le mode de déclenchement à éjection séquentielle.
2. Tirez fermement sur la gâchette, puis relâchez-la.

**Déclenchement à éjection par butée :**

1. N'appuyez pas l'outil contre le bois avec une force excessive.
2. Laissez l'outil se séparer du bois pendant le rebond qui fait suite à l'enfoncement du clou.

**N'enfoncez jamais de clous à proximité de matériaux inflammables.** Certains types de clous risquent de sortir par le bec pendant l'opération de clouage.

**Sachez ce qui se trouve derrière votre ouvrage. N'enfoncez pas de clous dans le mur ou dans le plancher sans vous assurer qu'il n'y a rien de dangereux de l'autre côté.** Un clou pourrait traverser l'ouvrage et frapper quelqu'un.

**N'enfoncez pas un clou au-dessus d'un autre clou.** Ceci pourrait faire dévier le clou ou faire réagir l'outil d'une manière imprévue.

**Ne tentez pas d'enfoncer des clous à un angle très incliné.** Ceci pourrait faire dévier le clou ou faire réagir l'outil d'une manière imprévue.

**Prenez les précautions nécessaires lorsque vous enfoncez des clous dans un matériau fin ou lorsque vous travaillez près des bords et des coins de l'ouvrage.** Les clous pourraient traverser complètement l'ouvrage ou être éjectés à côté de celui-ci, ce qui vous pourrait vous blesser ou blesser quelqu'un d'autre. Sachez que clou peut suivre le grain du bois et ressortir de façon inattendue sur le côté de l'ouvrage. Enfoncez les clous perpendiculairement au grain.

**N'enfoncez pas de clous dans des murs, des planchers ou d'autres surfaces de travail sans savoir ce qui risque d'être endommagé par les clous ainsi enfoncés.** Des clous enfoncés dans des fils électriques sous tension, des canalisations, des conduites de gaz ou d'autres types d'obstructions peuvent causer l'électrocution de l'opérateur, une explosion, une blessure corporelle et/ou des dommages aux biens.

**Assurez-vous que la pression du compresseur est ajustée de façon que les clous soient enfoncés au ras de l'ouvrage et ne traversent pas complètement celui-ci.** La pression correcte est la pression la plus faible qui permettra de faire le travail.

**Gardez le visage et le reste de votre corps à bonne distance du capuchon du haut lorsque vous travaillez dans des endroits restreints.** Un rebond soudain peut causer un choc affectant le corps, tout particulièrement lorsque vous enfoncez un clou dans un matériau dur ou dense.

**Manipulez l'outil avec précaution.** En raison de la pression d'air élevée dans l'outil, faites attention de ne pas laisser tomber l'outil ou de ne pas l'égratigner ou heurter de surfaces dures avec lui ; il ne faut pas estamper ou graver des signes sur l'outil. L'outil risquerait d'éclater.

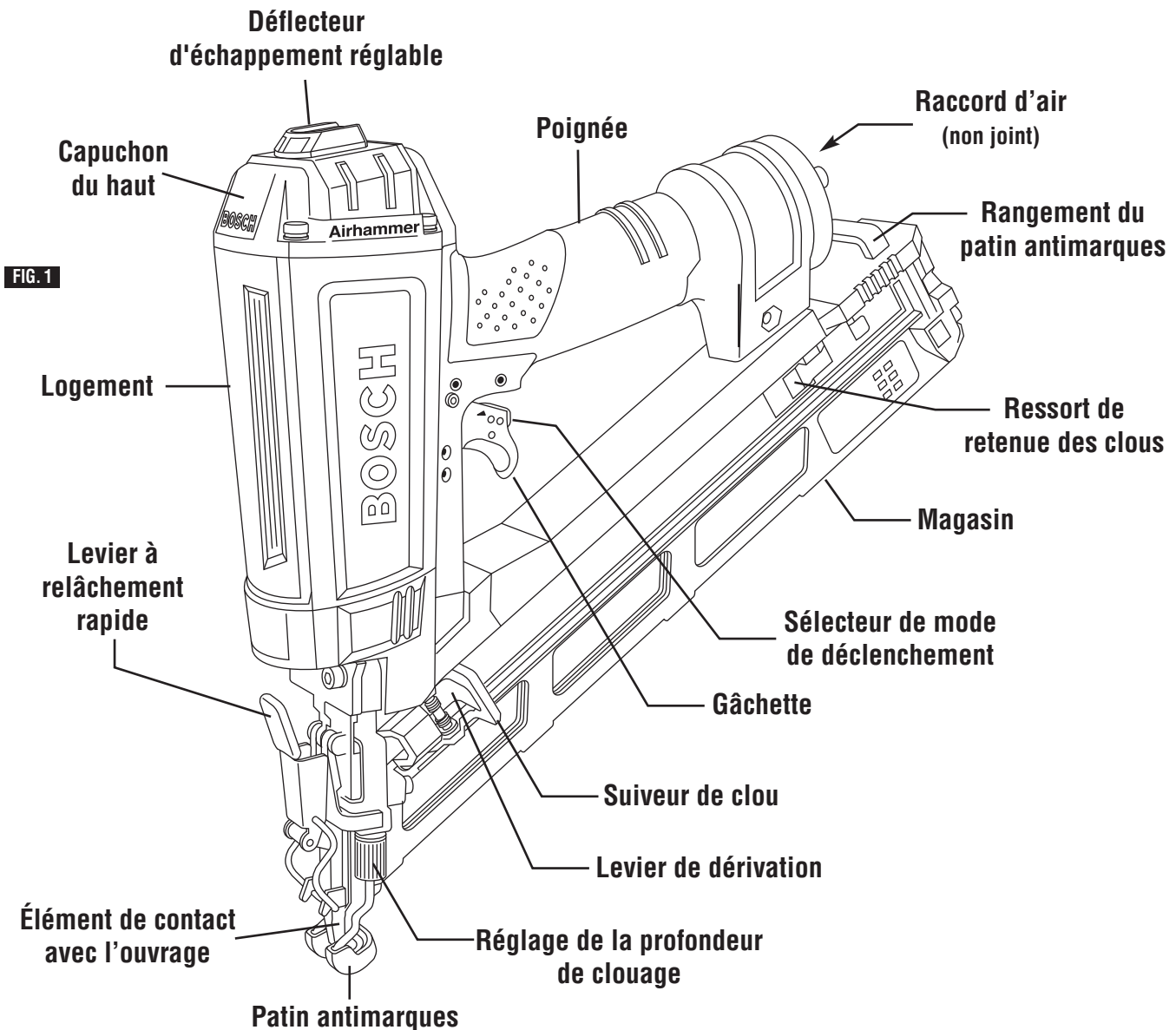
**Débranchez toujours l'outil de l'alimentation en air et retirez tous les clous du magasin avant de sortir de la zone de travail ou de remettre l'outil à un autre opérateur.** Ceci évite le risque de déclenchement accidentel.

**Ne débranchez pas le tuyau d'alimentation en air lorsque vous avez le doigt sur la gâchette ou lorsque l'élément de contact avec l'ouvrage est enfoncé.** L'outil peut éjecter des clous quand il est reconnecté à l'alimentation en air.



## Description fonctionnelle et spécifications

**AVERTISSEMENT** Débranchez l'outil de la source d'alimentation en air avant de procéder à de quelconques réglages, de remplacer des accessoires ou de ranger l'outil. De telles mesures de précaution réduisent le risque d'utilisation accidentelle de l'outil.



### Spécifications

Dimensions du produit :

Hauteur – 12,1 po

Largeur – 3,1 po

Poids : 4,1 lbs

Pression d'exploitation normale : 60 à 120 PSI

Capacité du magasin : 100 clous

Maintenance : huilage

Modes d'éjection : éjection par butée ou éjection séquentielle

Consommation d'air, un tir par seconde à 100 psi : 3,1 pi cu/mn

### Capacités maximales

Clous : Diamètre – calibre 15

Longueur (plage) : 1-1/4 po à 2 1/2 po

Chargement et rechargement des clous : par le haut

### Autres caractéristiques

Patin antimarques ne nécessitant pas d'outil pour son installation/retrait



## Assemblage / Installation

Suivez les instructions ci-dessous pour préparer votre outil en vue de son utilisation.

1. Tous les opérateurs de l'outil et leurs superviseurs directs doivent se familiariser avec les consignes de sécurité pour l'opérateur avant de commencer à se servir de l'outil. Ces consignes commencent à la page 16 de ce mode d'emploi.
2. Une copie de ces consignes d'utilisation / de sécurité et une copie du schéma de l'outil sont jointes à chaque outil. Conservez ces publications pour future référence.
3. Installez un filtre, un régulateur, un système de lubrification et un piège à humidité sur votre système de fourniture d'air conformément aux instructions du fabricant pour ces dispositifs. De plus, installez un manomètre aussi près que possible de l'outil, de préférence à moins de trois mètres de celui-ci.
4. Sélectionnez des tuyaux ayant un diamètre intérieur minimum de 3/8 po et une longueur maximum de 30 mètres.

**⚠ AVERTISSEMENT** Pour réduire le risque de blessure pouvant résulter de l'éclatement d'un tuyau, sélectionnez des tuyaux prévus pour une pression nominale d'au moins 200 PSI.

5. Sélectionnez des raccords de taille appropriée pour les tuyaux sélectionnés. L'outil et le tuyau à air doivent avoir un raccord de fixation de tuyau tel que toute la pression soit retirée de l'outil lorsque le joint d'accouplement est déconnecté.

**⚠ AVERTISSEMENT** N'utilisez jamais de coupleurs sans dégagement et/ou de coupleurs femelles à déconnexion rapide sur l'outil. Les coupleurs sans dégagement et les coupleurs femelles emprisonneront de l'air sous pression dans l'outil lorsque la conduite d'air sera déconnectée. Ceci laissera l'outil chargé avec suffisamment d'air après sa déconnexion pour éjecter un clou. Seuls des connecteurs à air de type pneumatique MÂLES doivent être attachés à l'outil, de façon que l'air sous pression présent dans l'outil soit expulsé dans l'atmosphère dès que la conduite d'air est déconnectée.

6. Réglez le régulateur au système de fourniture d'air à une pression (exprimée en psi) qui tombe à l'intérieur de plage de fonctionnement de l'outil, qui est de 60 à 120 psi. La pression correcte est la pression la plus faible qui permettra de faire le travail.
7. Si l'opérateur travaille sur un établi ou sur une table, il est recommandé de faire passer la conduite d'air en dessous de l'établi. Un petit plateau au-dessous du dessus de l'établi pourrait contenir la réserve de clous ainsi que l'outil quand il n'est pas utilisé.

## Fonctionnement

### Système d'actionnement

Votre outil est muni de deux dispositifs qui nécessitent un actionnement avant que l'outil ne puisse éjecter de clous, l'élément de contact avec l'ouvrage et la gâchette digitale. Il y a deux modes de réglage possible, qui sont incorporés à la gâchette, et qui déterminent comment l'outil éjecte les clous.

**Mode d'éjection « séquentielle » :** dans le mode d'éjection « séquentielle », une séquence prédéterminée est requise pour éjecter un clou. Il faut commencer par appuyer l'élément de contact avec l'ouvrage contre l'ouvrage. Un clou sera ensuite éjecté lorsque la gâchette sera enfoncée. Pour en éjecter un autre plus vite, l'élément de contact avec l'ouvrage doit être séparé de l'ouvrage et la gâchette doit être relâchée. La séquence pourra ensuite être répétée.

**Mode d'éjection « par butée » :** dans le mode d'éjection « par butée », il est possible d'éjecter des clous chaque fois que l'élément de contact avec l'ouvrage est enfoncé avec la gâchette également enfoncée. Lorsque la gâchette est enfoncée en permanence, un clou est éjecté chaque fois que l'élément de contact avec l'ouvrage est appuyé contre l'ouvrage. Ceci permet d'éjecter les clous à un rythme plus rapide.

Chaque mode est décrit en détail dans la section « Modes d'éjection » de ce mode d'emploi.

**⚠ AVERTISSEMENT** Comprenez les différences entre les deux modes d'éjection pour cet outil. L'utilisation de l'outil dans un mode inapproprié peut causer une réaction inattendue de l'outil et de causer des blessures corporelles.

**⚠ AVERTISSEMENT** Vérifiez le réglage de la gâchette réglable avant d'utiliser l'outil. L'emploi de l'outil avant d'avoir vérifié le mode d'éjection peut causer une réaction inattendue de l'outil et de causer des blessures corporelles.



# Fonctionnement

## Lubrification

Si l'outil n'est pas utilisé avec un système de lubrification en ligne sur l'alimentation en air, il est nécessaire de lubrifier périodiquement l'outil avec un lubrifiant pour outils pneumatiques.

Si l'outil n'est pas utilisé fréquemment, ne lubrifiez qu'une fois par jour. S'il est utilisé fréquemment, lubrifiez deux fois par jours. Pour lubrifier, versez 2-3 gouttes de lubrifiant dans le raccord d'alimentation d'air attaché à la poignée de l'outil – FIG 2. L'utilisation d'une quantité excessive d'huile produira des résidus qui s'accumuleront dans l'outil et pourront être constatés dans l'échappement.

**⚠ AVERTISSEMENT** N'utilisez que les lubrifiants pour outil pneumatique fournis avec l'outil ou spécifiés par BOSCH. N'utilisez pas d'autres lubrifiants étant donné qu'ils risqueraient d'endommager l'outil.

N'utilisez pas d'huile détergente, de fluide de transmission WD-40, d'huile pour moteur ou d'autres lubrifiants qui ne sont pas spécifiquement indiqués comme étant des lubrifiants pour outils pneumatiques. Ces lubrifiants causeront une usure accélérée des garnitures d'étanchéité, des joints toriques et des tampons à l'intérieur de l'outil, ce qui entraînera un mauvais fonctionnement de l'outil et le besoin de réparations plus fréquentes.

Lubrifiants recommandés par BOSCH : huile pour outils pneumatiques 10W, lubrifiant pour outils pneumatiques Fuchs Air Lube 10W/NR.

## Chargement des clous

**⚠ AVERTISSEMENT** Chargez toujours les clous dans le magasin de l'outil avant de connecter l'alimentation en air.

La connexion de l'alimentation en air après le chargement des clous réduit les risques d'éjection accidentelle d'un clou et de blessure de l'opérateur ou d'autres personnes présentes.

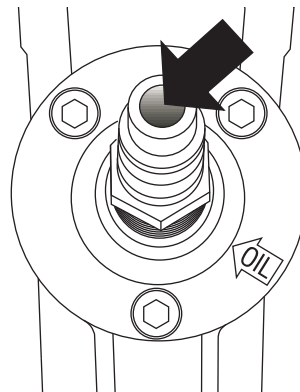
**⚠ AVERTISSEMENT** Lors du chargement du magasin de l'outil, assurez-vous que le suiveur de clou glisse en douceur en tirant dessus avec un doigt. S'il ne glisse pas en douceur, les clous risqueraient d'être enfoncés à un angle irrégulier.

1. Insérez les bandes de clous rangés appropriées dans la fente de chargement à l'arrière du magasin ; voir Figure 3. Voir les spécifications de l'outil pour déterminer les tailles de clous et les angles appropriés.
2. Orientez une bande de clous approuvés avec les pointes dirigées vers le bas ; les clous doivent être insérés avec les pointes en premier dans la fente (voir Figure 4), et les têtes des clous doivent être alignées avec la partie supérieure en forme de « T » de la fente. Insérez les clous à fond dans le magasin en vous assurant que le dernier clou de la bande glisse au-delà du ressort de retenue des clous (voir Figure 5).

**Remarque :** l'outil comporte un mécanisme de verrouillage du suiveur de clou qui empêchera le déclenchement de l'outil quand il ne reste plus de clous dans le magasin. L'outil ne permettra pas l'enfoncement de l'élément de contact avec l'ouvrage quand il ne reste plus de clous dans l'outil.

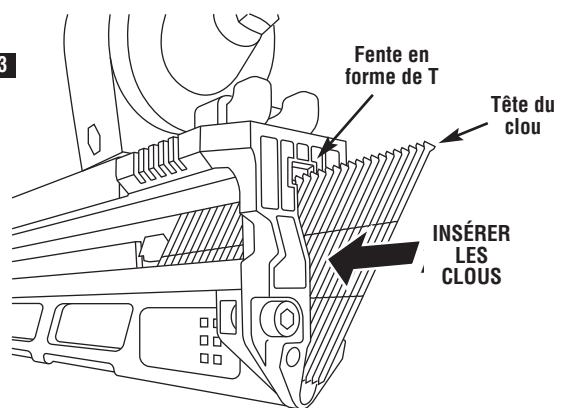
**⚠ AVERTISSEMENT** Utilisez seulement des clous satisfaisant aux critères figurant sous la rubrique « Spécifications » de ce mode d'emploi. Les clous qui ne sont pas identifiés comme pouvant être utilisés avec cet outil risqueraient de causer un mauvais fonctionnement de l'outil et entraîner le risque de blessure et/ou d'endommagement de l'outil.

FIG. 2



2-3 gouttes de lubrifiant pour outils pneumatiques

FIG. 3



### Utilisation correcte

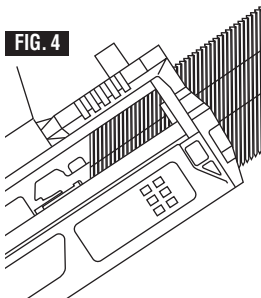


FIG. 4

### Utilisation incorrecte

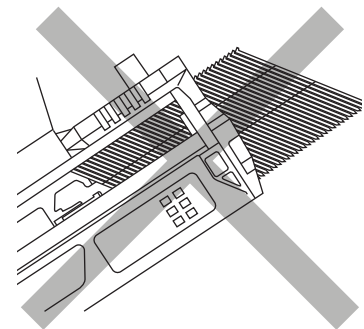
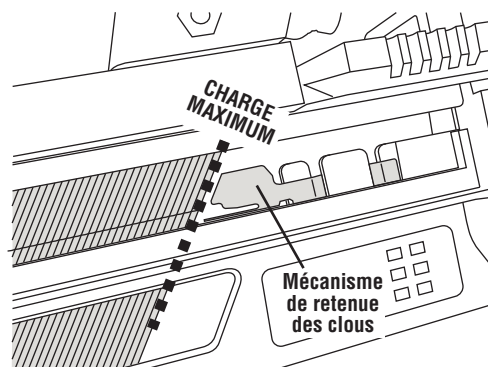


FIG. 5





## Fonctionnement

- Cet outil utilise un levier de dérivation à ressort pour charger et décharger les clous. Une fois que les clous ont été insérés correctement, tirez sur le suiveur pour qu'il soit complètement à l'arrière du magasin, où il s'appuie contre le levier de dérivation du suiveur (voir Figure 6).
- Après que le suiveur sera en contact avec l'arrière du magasin, laissez le suiveur glisser vers l'avant et engager les clous, en les poussant contre le bec de l'outil (voir Figure 7).

**⚠ AVERTISSEMENT** Faites attention aux points de pincement possibles avec le suiveur. Ne placez jamais une partie quelconque de votre corps à proximité d'un point de pincement possible. Lorsque vous chargez des clous, observez où votre main se trouve. Si elle est à un endroit proche d'un point de pincement, envisagez sérieusement une autre position. Des blessures se produisent lorsque des mains ou des doigts sont placés entre des pièces fixes et mobiles pendant le mouvement de pincement.

### Raccordement de l'alimentation en air

**⚠ AVERTISSEMENT** N'utilisez jamais d'oxygène ou d'autres gaz en bouteille comme source d'alimentation. Une explosion pourrait en résulter. Les gaz combustibles et les autres gaz en bouteille sont dangereux et risquent de causer l'explosion de l'outil.

**⚠ AVERTISSEMENT** Ne connectez jamais l'outil à une source d'air qui est capable de produire une pression d'air dépassant 200 psi. Une pression excessive pourrait causer un fonctionnement anormal ou entraîner l'explosion de l'outil, ce qui pourrait causer des blessures corporelles.

N'utilisez que de l'air comprimé propre, sec et contrôlé, à une pression comprise dans la plage de pressions indiquée sur l'outil. La pression correcte est la pression la plus faible qui permettra de faire le travail.

Avant de connecter l'outil à l'alimentation d'air, regardez le manomètre pour vous assurer qu'il fonctionne correctement et que la pression de l'air est comprise dans la plage de fonctionnement de l'outil, c. à d., entre 60 et 120 psi.

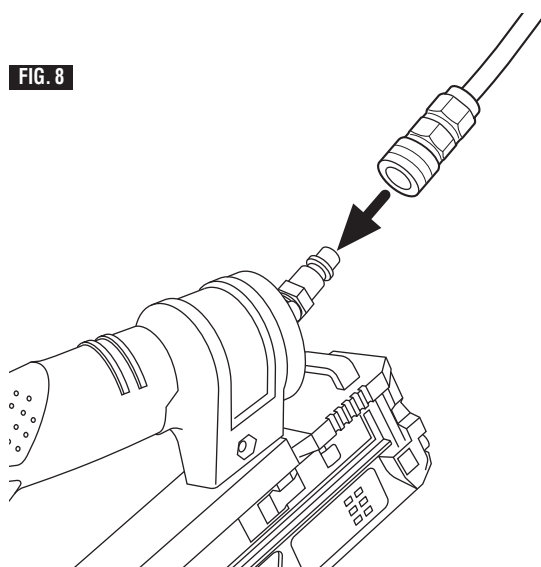
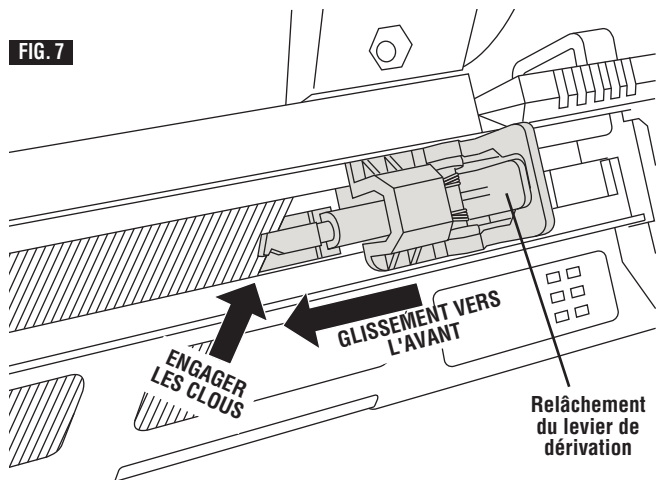
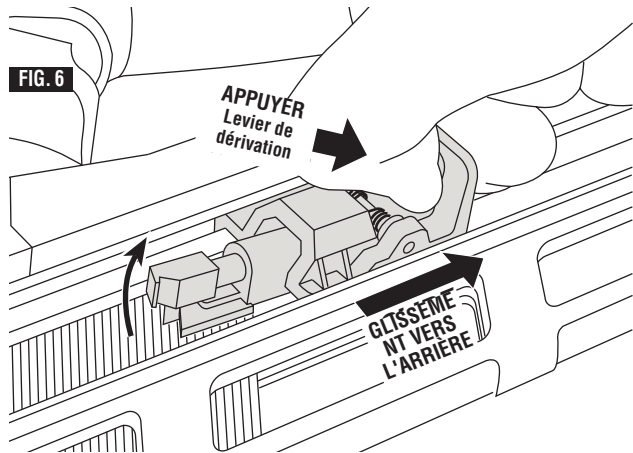
**⚠ AVERTISSEMENT** Ne dépassez pas la pression d'air maximum recommandée qui est indiquée sur l'outil. Avant d'utiliser l'outil, vérifiez que la source d'air a été ajustée à l'intérieur de la plage de pressions d'air nominale. Assurez-vous que le manomètre fonctionne correctement et inspectez-le au moins deux fois par jour. Les outils utilisés à une pression plus élevée que leur pression nominale maximum risquent de fonctionner de façon anormale ou d'éclater, ce qui causerait des blessures corporelles.

Pour connecter l'outil au compresseur n'utilisez que des tuyaux à air comprimé qui répondent aux critères suivants :

- Pression nominale minimum du tuyau : 200 psi
- Diamètre intérieur minimum du tuyau : 3/8 po
- Longueur maximum du tuyau : 100 pi

#### Raccordement de l'alimentation en air :

- Forcez le tuyau à air sur le connecteur rapide - FIG 8.
- Inspectez pour vous assurer qu'il n'y a pas de fuite d'air. Si vous constatez une fuite, cessez immédiatement d'utiliser l'outil et contactez votre centre de service BOSCH.
- Assurez-vous que le manomètre fonctionne correctement et inspectez-le au moins deux fois par jour.



# Fonctionnement

## Modes d'éjection

L'outil est pourvu d'une gâchette qui permet de sélectionner l'un des deux modes d'éjection suivants :

### Mode d'éjection « séquentielle » :

Pour pouvoir utiliser l'outil afin d'enfoncer des clous dans ce mode d'éjection, il faut utiliser l'élément de contact avec l'ouvrage et la gâchette dans un ordre spécifique :

1. Appuyez sur le sélecteur de mode d'éjection pour le mettre dans la position abaissée. Sur la gâchette, l'indicateur de mode d'éjection doit être pointé sur l'icône montrant un clou unique – FIG 9.
2. L'élément de contact avec l'ouvrage doit être complètement enfoncé en plaçant le bec de l'outil contre l'ouvrage – FIG 10.
3. Il faut tirer fermement sur la gâchette puis la relâcher – FIG 10.
4. Il faut permettre le rebond de l'outil loin de l'ouvrage.

Pour continuer à travailler dans un autre endroit, emportez l'outil avec l'ouvrage et répétez les étapes 2 à 4 suivant les besoins.

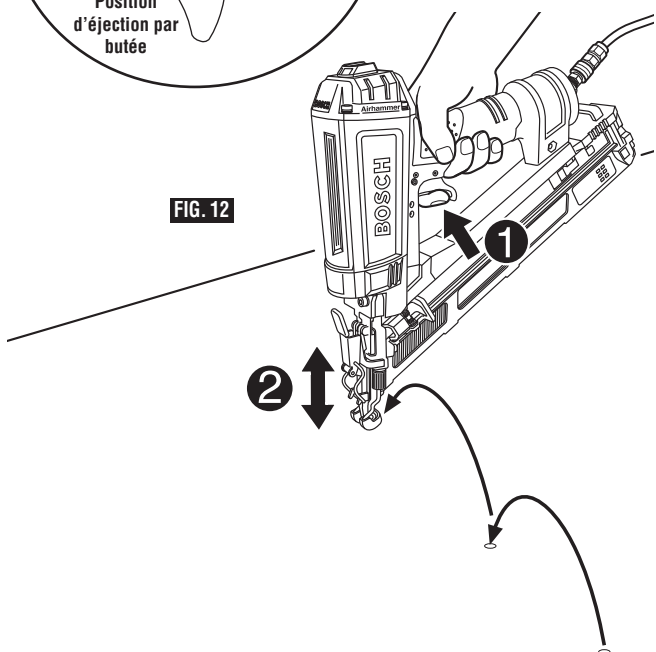
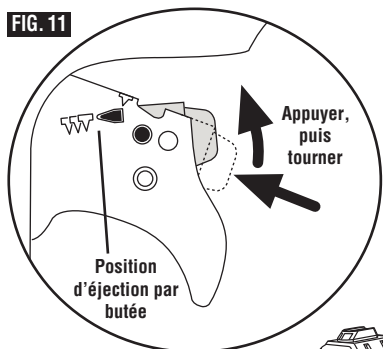
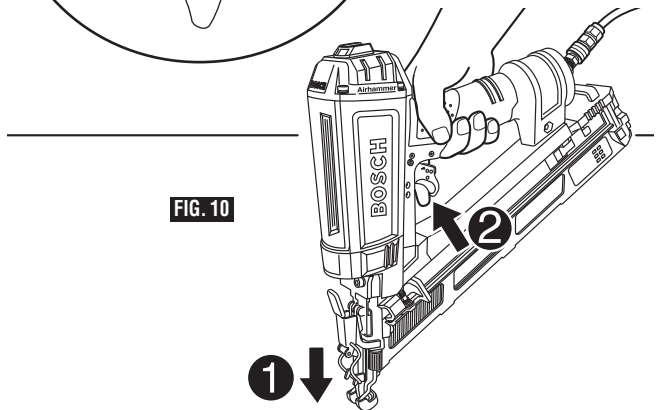
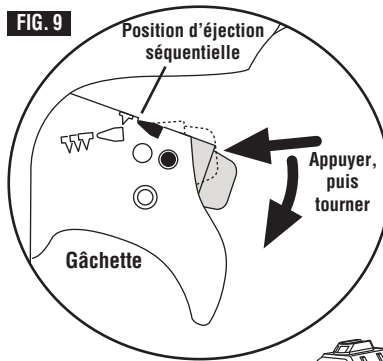
### Mode d'éjection « par butée » :

Pour pouvoir utiliser l'outil afin d'enfoncer des clous dans ce mode d'éjection, l'élément de contact avec l'ouvrage et la gâchette peuvent être actionnés dans n'importe quel ordre.

1. Appuyez sur le sélecteur de mode d'éjection pour le mettre dans la position élevée. Sur la gâchette, l'indicateur de mode d'éjection doit être pointé sur l'icône montrant plusieurs clous – FIG 11.
2. Tirez sur la gâchette et maintenez-la tirée avec l'outil positionné de façon à ne pas être en contact avec l'ouvrage.
3. Appuyez l'élément de contact avec l'ouvrage contre l'ouvrage. Un clou sera enfoncé – FIG 12.
4. Il faut permettre le rebond de l'outil loin de l'ouvrage.
5. Faites avancer l'outil le long de l'ouvrage avec un mouvement rebondissant. Chaque fois que l'élément de contact avec l'ouvrage est enfoncé, un clou sera éjecté – FIG 12.
6. Dès que le nombre désiré de clous auront été enfoncés, retirez le doigt de la gâchette.

**⚠ AVERTISSEMENT** Retirez le doigt de la gâchette lorsque vous n'êtes pas en train d'enfoncer des clous. Ne transportez l'outil que par la poignée. Le retrait de votre doigt de la gâchette lorsque vous n'êtes pas en train d'utiliser l'outil réduit les risques d'éjection accidentelle d'un clou et de blessure de l'opérateur ou d'une autre personne présente.

**⚠ AVERTISSEMENT** Il faut permettre le rebond de l'outil loin de l'ouvrage. N'enfoncez pas un clou au-dessus d'un autre clou. Si l'outil n'est pas déplacé avant que la gâchette ne soit déclenchée une nouvelle fois, un second clou sera éjecté au-dessus du clou qui vient d'être enfoncé. Ceci pourrait faire dévier le clou ou causer une réaction inattendue de l'outil.





# Fonctionnement

## Fonctionnement par temps froid

Lorsque vous utilisez l'outil par temps froid, il fonctionnera plus lentement que d'habitude en enfonçant les premiers clous. La vitesse d'éjection augmentera au fur et à mesure que l'outil chauffera. Gardez l'outil au chaud pour éviter un fonctionnement initial lent.

**⚠ AVERTISSEMENT** N'utilisez pas un outil gelé. Laissez l'outil se dégeler avant de commencer à vous en servir. De l'humidité gelée à l'intérieur de l'outil risquerait d'affecter les composants internes, entraînant ainsi le risque de blessure et/ou d'endommagement de l'outil.

## Déchargement des clous

**⚠ AVERTISSEMENT** Débranchez toujours l'outil de l'alimentation en air avant de retirer des clous du magasin. Ceci empêche le risque d'éjection accidentelle de clous.

**⚠ AVERTISSEMENT** Ne débranchez pas le tuyau à air de l'outil pendant que vous avez le doigt sur la gâchette ou pendant que l'élément de contact avec l'ouvrage est enfoncé. L'outil risquerait d'éjecter des clous lorsqu'il sera reconnecté à l'alimentation en air.

1. Débranchez l'alimentation en air.
2. Tirez sur le suiveur en appuyant sur le levier de dérivation du suiveur afin de permettre au suiveur de contourner les clous et laissez le suiveur retourner lentement vers le bec de l'outil (voir Figure 13).
3. Inclinez l'outil avec le magasin à la verticale et le bec orienté vers le haut ; ceci permettra aux clous de glisser vers l'arrière du magasin.
4. Après que les clous auront glissé à nouveau jusqu'au ressort de retenue des clous, appuyez sur la languette du ressort de retenue pour repousser le ressort, et laissez les clous sortir du magasin (voir Figure 14).

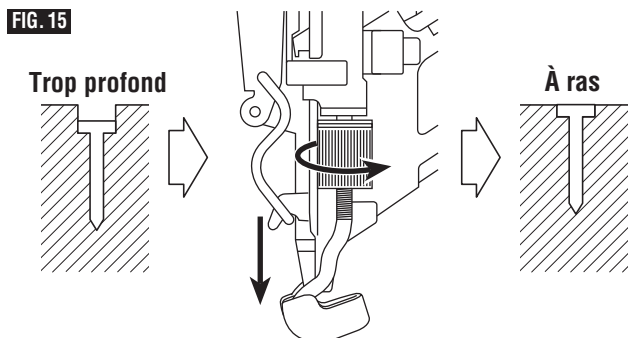
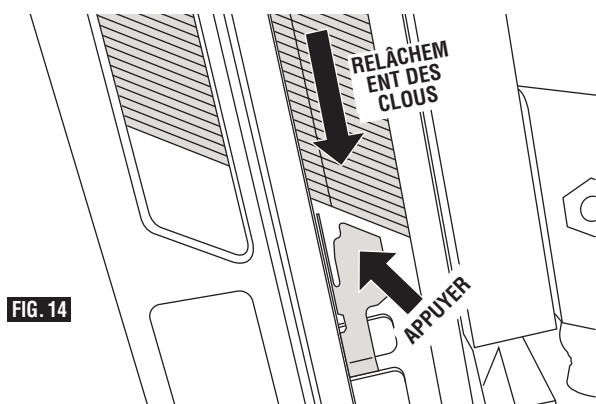
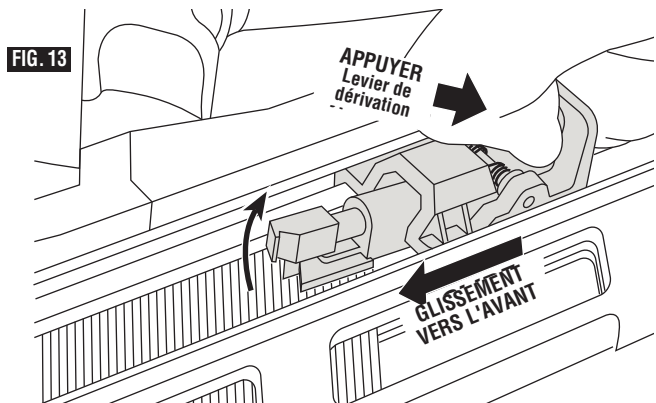
**⚠ AVERTISSEMENT** Ne permettez pas au suiveur de clou de rebondir librement. Guidez le suiveur de la main jusqu'à ce qu'il atteigne sa position complètement avancée. Un rebondissement non contrôlé du suiveur pourrait endommager le suiveur et/ou le magasin, ou vos doigts risqueraient d'être pincés.

## Réglage de la profondeur de clouage

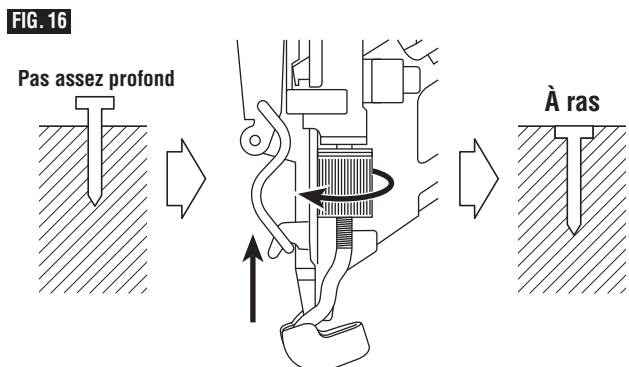
La profondeur à laquelle les clous sont enfoncés dans l'ouvrage peut être réglée en utilisant le mécanisme de réglage de la profondeur de clouage sur le bec de l'outil.

**⚠ AVERTISSEMENT** Débranchez l'outil de la source d'alimentation en air avant de procéder à de quelconques réglages. De telles mesures de précaution réduisent le risque de déclenchement accidentel de l'outil.

1. Débranchez l'outil de la source d'alimentation en air.
2. Retirez les clous de l'outil tel que cela est décrit dans la section « Déchargement des clous » de ce mode d'emploi.
3. Réglage de la profondeur de clouage :
  - Pour réduire la profondeur de clouage, tournez le bouton de réglage de la profondeur dans le sens des aiguilles d'une montre – FIG 15.
  - Pour enfoncer le clou plus profondément, tournez le bouton de réglage de la profondeur dans le sens contraire des aiguilles d'une montre – FIG 16.



Tournez le bouton de réglage de la profondeur dans le sens contraire des aiguilles d'une montre.



Tournez le bouton de réglage de la profondeur dans le sens des aiguilles d'une montre.



## Fonctionnement

- Rechargez les clous comme cela est décrit dans la section « Chargement des clous » de ce mode d'emploi.
- Reconnectez l'alimentation en air.

**⚠ AVERTISSEMENT** Sachez ce qui se trouve derrière votre ouvrage. N'enfoncez pas de clous dans des murs ou des planchers avant de vous être assuré au préalable qu'il n'y a personne et qu'il n'y a rien de dangereux de l'autre côté. Un clou risque de traverser l'ouvrage et de frapper quelqu'un.

### Retrait des clous coincés

**⚠ AVERTISSEMENT** Débranchez l'outil de la source d'alimentation en air avant de tenter de retirer un clou coincé. De telles mesures de précaution réduisent le risque de déclenchement accidentel de l'outil.

Si un clou se coince dans le bec de l'outil, suivez ces instructions pour retirer un tel clou :

- Relâchez la gâchette.
- Débranchez l'alimentation en air de l'outil.
- Retirez les clous du magasin conformément à ce qui est décrit dans la section « Déchargement des clous ».
- Ouvrez le bec de l'outil en tirant sur le levier à relâchement rapide (vers l'avant). Ouvrez le bec de l'outil en tirant dessus pour accéder au clou coincé (voir Figure 17).
- Retirez le clou en utilisant des tenailles si nécessaire.
- Fermez le bec de l'outil en accrochant le ressort du levier à relâchement rapide sur les deux crochets du bec de l'outil. Appuyez sur le levier pour refermer (voir Figure 18).
- Remettez des clous dans le magasin conformément à ce qui est décrit dans la section « Chargement des clous ».
- Reconnectez l'alimentation en air conformément à ce qui est décrit sous la rubrique « Raccordement de l'alimentation en air ».

**REMARQUE** : si des clous continuent à se coincer dans le bec de l'outil, contactez le centre de service BOSCH pour faire réparer l'outil.

### Déflexeur d'échappement réglable

Cet outil est muni d'un déflexeur d'échappement réglable qui permet d'éjecter l'air d'échappement dans le sens opposé à celui de l'opérateur ou de l'ouvrage.

FIG. 17

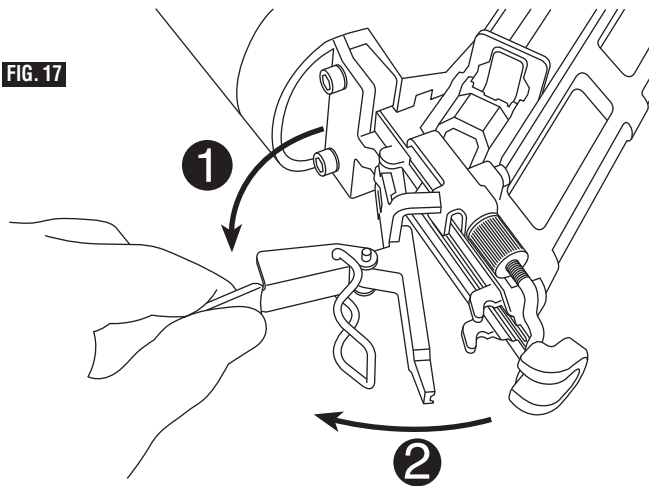
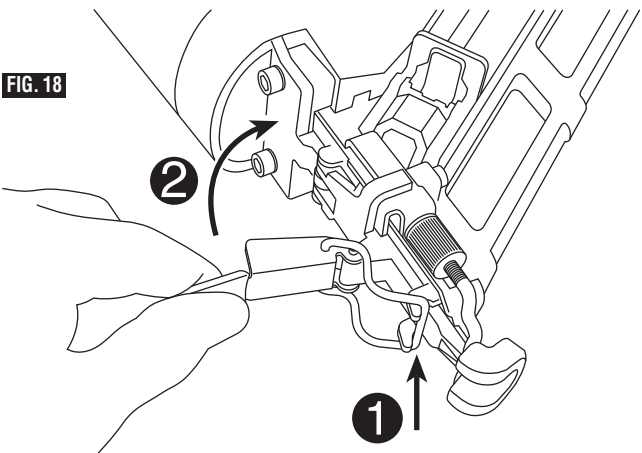


FIG. 18





# Maintenance

## Service

**⚠ AVERTISSEMENT** Toute maintenance effectuée par du personnel non autorisé risquerait de causer un placement erroné de composants internes qui pourrait créer des dangers graves. Nous recommandons que toutes les réparations de l'outil soient effectuées par un centre de service usine BOSCH ou par une station service agréée BOSCH.

Contactez votre centre de service BOSCH pour obtenir des instructions et pour vous procurer les composants remplaçables suivants : joints toriques, butoirs et lames d'attaque.

Pour toutes les autres réparations, contactez votre centre de service BOSCH.

## Nettoyage

**⚠ AVERTISSEMENT** Lorsque vous nettoyez un outil, faites attention de ne pas démonter une partie quelconque de l'outil étant donné que certains composants internes risqueraient d'être remontés à un endroit incorrect ou que certains mécanismes de sécurité risqueraient d'être réassemblés de façon incorrecte. Certains agents de nettoyage tels que de l'essence, du tétrachlorure de carbone, de l'ammoniac, etc. risquent d'endommager les composants en plastique et les joints toriques.

**⚠ AVERTISSEMENT** Ne tentez pas de nettoyer l'outil en insérant des objets pointus dans les ouvertures. Des bords tranchants pourraient endommager des composants internes et causer des dangers graves.

Les ouvertures de ventilation, l'élément de contact avec l'ouvrage et la gâchette doivent être gardés propres et sans corps étranger. Nettoyez périodiquement l'outil avec de l'air comprimé.

Nettoyez le magasin. Retirez les copeaux de plastique ou de bois qui peuvent s'être accumulés dans le magasin. Lubrifiez le magasin avec un lubrifiant pour outils pneumatiques.

## Rangement

Quand il n'est pas utilisé, l'outil doit être déconnecté et rangé dans un endroit chaud et sec. Lorsque vous prévoyez que l'outil ne sera pas utilisé pendant une période prolongée, appliquez une fine couche de lubrifiant sur ses composants en acier pour éviter qu'ils ne rouillent.

Ne rangez pas l'outil dans un environnement froid.

**⚠ AVERTISSEMENT** Gardez l'outil hors de la portée des enfants et de toutes personnes ne maîtrisant pas son fonctionnement. Verrouillez l'endroit où il est rangé. Les outils sont dangereux quand ils tombent entre les mains de personnes qui ne savent pas comment s'en servir.

ACTION	POURQUOI	COMMENT
Videz le filtre de la conduite d'air tous les jours	Pour empêcher l'accumulation d'humidité et de saletés	En ouvrant la valve manuelle
Gardez le réservoir à lubrifiant bien rempli	Pour garder la cloueuse lubrifiée	En le remplissant avec un lubrifiant pour outils pneumatiques BOSCH
Nettoyez l'élément filtrant – puis soufflez de l'air à travers le filtre dans le sens opposé au sens habituel	Pour éviter d'obstruer le filtre avec des saletés	En suivant les instructions du fabricant
Nettoyez le magasin et le dispositif d'alimentation	Pour empêcher un blocage	En soufflant de l'air comprimé dans le dispositif tous les jours afin d'assurer sa propreté
Faites en sorte que l'élément de contact avec l'ouvrage fonctionne correctement	Pour promouvoir la sécurité de l'opérateur et un fonctionnement efficace de l'outil	En y soufflant de l'air comprimé tous les jours afin d'assurer leur propreté
Lubrifiez l'outil	Pour prolonger la durée de vie utile de l'outil	En versant 2-3 gouttes de lubrifiant à l'intérieur de l'outil conformément aux instructions
Videz le compresseur d'air	Pour ne accumuler d'eau à l'intérieur de l'outil	En ouvrant la valve du réservoir du compresseur d'air

## Accessoires

### Patin antimarques

Le patin antimarques sur le bec de l'élément de contact avec l'ouvrage protège l'ouvrage d'éraflures résultant du contact des dents de clouage de cet élément lorsque ledit élément de contact avec l'ouvrage est comprimé pendant l'enfoncement des clous. Le butoir peut être enlevé et remplacé.

**⚠ AVERTISSEMENT** Débranchez l'alimentation en air de l'outil et retirez les bandes de clous rangés avant de retirer ou de remplacer un patin antimarques. De telles mesures de précaution réduisent le risque de déclenchement accidentel de l'outil.

**Pour retirer le patin** : tirez le patin antimarques vers l'arrière de l'outil, au-delà de la courbure du fil à l'avant.

**Pour remettre le patin en place** : appuyez sur le patin antimarques pour le réinstaller sur l'outil en insérant l'ouverture du patin antimarques sur le fil à l'avant.

### Compresseur

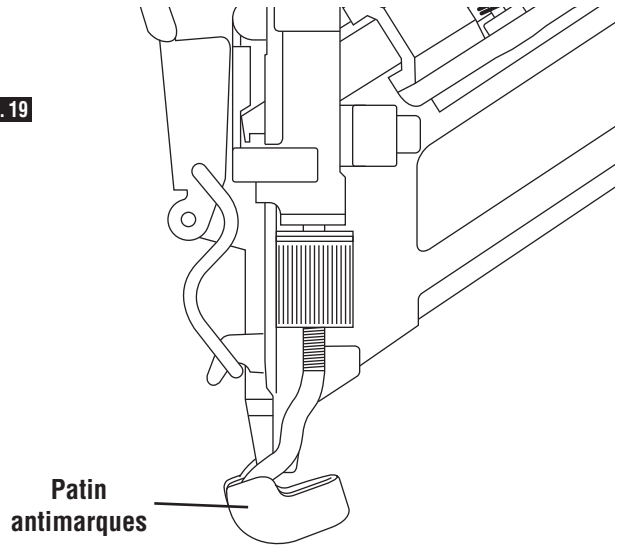
L'emploi d'un compresseur de taille correcte est essentiel pour assurer le meilleur fonctionnement possible de l'outil. Utilisez les calculs suivants afin de déterminer la taille appropriée pour le compresseur.

$$\text{Taille du compresseur (pi cu/mn)} = \frac{\text{Consommation d'air (pi cu/mn)}}{60}$$

x tirs par minute   x Nombre d'outils   x 1,2

Consommation d'air, un tir par seconde à 100 psi : 3,1 pi cu/mn

FIG. 19





## Diagnostic de dépannage

PROBLÈME	SYMPTÔMES	RÉSOLUTION
La cloueuse fonctionne, mais aucun clou n'est éjecté.	<ul style="list-style-type: none"> <li>• Inspectez pour vous assurer qu'aucun clou n'est coincé.</li> <li>• Vérifiez le fonctionnement du suiveur de clou.</li> <li>• Ressort du suiveur affaibli ou endommagé ?</li> <li>• Vérifiez que les clous sont appropriés.</li> <li>• Assurez-vous que l'outil est chargé.</li> </ul>	<ul style="list-style-type: none"> <li>• Retirez les clous coincés.</li> <li>• Nettoyez et lubrifiez.</li> <li>• Remplacez le ressort du suiveur.</li> <li>• N'utilisez que des clous du type recommandé.</li> <li>• Rechargez l'outil.</li> </ul>
L'action de clouage semble lente ou faible.	<ul style="list-style-type: none"> <li>• Vérifiez que la pression d'air est dans la plage de fonctionnement appropriée. lame d'attaque usée ?</li> <li>• Joint torique du piston usé ou endommagé ?</li> <li>• Butoir usé ?</li> <li>• Vérifiez que le diamètre et la longueur du tuyau correspondent aux spécifications.</li> </ul>	<ul style="list-style-type: none"> <li>• Augmentez la pression de l'air (ne dépassez pas 120 psi).</li> <li>• Utilisez un lubrifiant pour outils pneumatiques.</li> <li>• Contactez Bosch pour un remplacement ou une réparation.</li> <li>• Remplacez le butoir.</li> <li>• Suivez les recommandations.</li> <li>• Vérifiez que le tuyau n'est pas entortillé.</li> </ul>
L'outil enfonce les clous trop profondément.	<ul style="list-style-type: none"> <li>• Vérifiez la pression d'air.</li> <li>• Vérifiez la profondeur d'enfoncement.</li> <li>• Assurez-vous que le butoir n'est pas usé.</li> </ul>	<ul style="list-style-type: none"> <li>• Réduisez la pression de l'air. La pression de fonctionnement minimum est de 60 psi.</li> <li>• Voir « Réglage de la profondeur d'enfoncement ».</li> <li>• Remplacez le butoir.</li> </ul>
L'outil n'enfonce pas les clous assez profondément.	<ul style="list-style-type: none"> <li>• Vérifiez la pression d'air.</li> <li>• Vérifiez la profondeur d'enfoncement.</li> <li>• Vérifiez que le diamètre et la longueur du tuyau correspondent aux spécifications.</li> </ul>	<ul style="list-style-type: none"> <li>• Augmentez la pression de l'air. La pression de fonctionnement maximum est de 120 psi.</li> <li>• Voir « Réglage de la profondeur d'enfoncement ».</li> <li>• Suivez les recommandations.</li> <li>• Vérifiez que le tuyau n'est pas entortillé.</li> </ul>
L'outil saute des clous ou l'alimentation en clous est intermittente.	<ul style="list-style-type: none"> <li>• Assurez-vous que vous utilisez des clous appropriés.</li> <li>• Vérifiez le fonctionnement du magasin (voir page 20). ?</li> <li>• Ressort du suiveur affaibli ou endommagé ?</li> <li>• Joint torique du piston coupé ou excessivement usé ?</li> </ul>	<ul style="list-style-type: none"> <li>• Utilisez seulement les clous recommandés.</li> <li>• Nettoyez et lubrifiez.</li> <li>• Remplacez le ressort du suiveur.</li> <li>• Contactez Bosch pour obtenir un remplacement.</li> </ul>
Les clous se coincent fréquemment.	<ul style="list-style-type: none"> <li>• Assurez-vous que vous utilisez des clous appropriés.</li> </ul>	<ul style="list-style-type: none"> <li>• Utilisez seulement les clous recommandés.</li> </ul>
Les clous enfoncés sont tordus.	<ul style="list-style-type: none"> <li>• lame d'attaque usée ?</li> </ul>	<ul style="list-style-type: none"> <li>• Contactez Bosch pour obtenir une lame de rechange.</li> </ul>
Les clous sont enfoncés correctement pendant le fonctionnement normal, mais ils ne sont pas enfoncés suffisamment à des vitesses de clouage plus élevées.	<ul style="list-style-type: none"> <li>• Vérifiez le diamètre intérieur du tuyau à air.</li> <li>• Vérifiez que le compresseur est compatible</li> </ul>	<ul style="list-style-type: none"> <li>• Utilisez un tuyau à air de diamètre correct.</li> <li>• Utilisez un compresseur de taille correcte en fonction du nombre d'outils utilisés et de la fréquence d'utilisation.</li> </ul>



# Normas generales de seguridad para herramientas neumáticas

**⚠️ ADVERTENCIA** **TODOS LOS USUARIOS Y EMPLEADORES/PROPIETARIOS DEBEN LEER Y ENTENDER TODAS LAS INSTRUCCIONES CONTENIDAS EN ESTE MANUAL ANTES DE UTILIZAR ESTA HERRAMIENTA O HACERLE MANTENIMIENTO.** Si no se siguen todas las instrucciones que se indican a continuación, el resultado podría ser descargas eléctricas, incendio, lesiones corporales graves o muerte.

## GUARDE ESTAS INSTRUCCIONES

### Área de trabajo

**Mantenga el área de trabajo limpia y bien iluminada.** Los bancos de trabajo desordenados y las áreas oscuras aumentan los riesgos de accidentes, descargas eléctricas, incendio y lesiones a las personas.

**No utilice herramientas neumáticas en atmósferas explosivas, tales como las existentes en presencia de líquidos, gases o polvos inflamables.** La herramienta es capaz de generar chispas que pueden incendiar el polvo o los vapores. No utilice nunca la herramienta en lugares que contengan laca, pintura, bencina, diluyente, gasolina, gases, agentes adhesivos y otros materiales que sean combustibles o explosivos.

**Mantenga a las personas que estén presentes, los niños y los visitantes alejados mientras utiliza una herramienta neumática.** Las distracciones pueden causar una pérdida de control de la herramienta. Los fragmentos de sujetadores pueden causar lesiones a las personas que estén presentes.

**No haga nunca payasadas con la herramienta.** Respete la herramienta como un implemento de trabajo.

### Seguridad personal

**No retire, manipule indebidamente ni haga de alguna otra manera que los controles de operación de la herramienta queden desactivados o inoperables.** Esto hará que la herramienta funcione irregularmente y puede causar riesgo de lesiones.

**Vístase adecuadamente. No usa ropa holgada ni joyas. Sujétese el pelo largo. Mantenga el pelo, la ropa y los guantes alejados de las piezas móviles.** La ropa holgada, las joyas o el pelo largo se pueden enganchar en las piezas móviles y aumentar el riesgo de lesiones.

**Use siempre protección de los ojos y de los oídos cuando utilice esta herramienta. Utilice equipo de protección personal adicional según sea apropiado cuando utilice esta herramienta.** Los operadores y otras personas que estén en el área de trabajo deben usar anteojos de seguridad con protectores laterales y asegurarse de que el resto del personal que se encuentre en el área de trabajo use anteojos de seguridad. Los anteojos de seguridad deben cumplir con los requisitos del Instituto Nacional Americano de Estándares, ANSI Z87.1, y proporcionar protección contra las partículas que se lancen al aire desde el frente y desde el lado. La exposición prolongada a ruido de alta intensidad puede causar pérdida de audición. Se deben usar una máscara antipolvo, zapatos de seguridad antideslizantes, casco y otro equipo de protección personal para las condiciones apropiadas.

**Mantenga los mangos secos, limpios y libres de aceite y grasa.** Las manos resbalosas no pueden controlar con seguridad la herramienta.

**Evite dirigir el aire del escape de la herramienta hacia su propia cara y sus propios ojos o hacia la cara y los ojos de una persona que se encuentre presente.** El aire del escape de una herramienta puede contener agua, aceite, partículas de metal o contaminantes procedentes del compresor, que pueden ser lanzados hacia los ojos o causar lesiones graves. Utilice el respiradero de aire ajustable para dirigir el escape con el fin de que sople el aire del escape alejándolo del usuario.

**Manténgase alerta. Esté atento a lo que está haciendo y use el sentido común cuando utilice una herramienta neumática. No utilice la herramienta mientras esté cansado o bajo la influencia de drogas, alcohol o medicamentos.** Un momento de desatención mientras utiliza la herramienta puede causar lesiones corporales graves.

**Evite el funcionamiento accidental. Mientras esté conectando el suministro de aire, no oprima el gatillo.** No lleve la herramienta con el dedo en el gatillo ni la conecte al suministro de aire con el interruptor en la posición de "encendido".

**No intente alcanzar demasiado lejos. Mantenga un apoyo de los pies y un equilibrio apropiados en todo momento.** El apoyo de los pies y el equilibrio apropiados permiten un mejor control de la herramienta en situaciones inesperadas.

**Asegúrese de que la manguera de aire esté libre de enganches y obstrucciones. No sujete una manguera de aire o la herramienta a su cuerpo.** Las mangueras enredadas o enmarañadas pueden causar una pérdida de equilibrio o de apoyo de los pies, además de un funcionamiento accidental de la herramienta. Sujete la manguera a la estructura para reducir el riesgo de pérdida de equilibrio si la manguera cambia de posición.

### Uso y cuidado de la herramienta

**Utilice esta herramienta y estos accesorios de acuerdo con las instrucciones.** Las herramientas y los accesorios se deben utilizar para el propósito para el cual están diseñados. La utilización de la herramienta neumática para operaciones distintas a las que se describen en este manual puede causar una situación peligrosa.

**Utilice únicamente los accesorios que estén recomendados por BOSCH para su modelo específico.** Es posible que los accesorios que estén recomendados para una herramienta de modelo específico no sean adecuados en herramientas de otros modelos y podrían causar lesiones personales.

**Antes de cada uso, inspeccione la herramienta. No utilice la herramienta si cualquiera de sus partes está floja, falta, está dañada, funciona incorrectamente, está desconectada o está alterada.** Si parece que la herramienta está funcionando de manera inusual y/o haciendo ruidos raros, deje de usarla inmediatamente y contacte a su centro de servicio local. Hay un riesgo de reventón si la herramienta está dañada.

**No fuerce la herramienta. Utilice la herramienta correcta para la aplicación que esté realizando.** La herramienta correcta hará el trabajo mejor y de manera más segura a la velocidad para la cual está diseñada.

**No utilice la herramienta con una fuente de energía que no sea la especificada en las instrucciones de utilización y seguridad de la herramienta.** El uso de fuentes de energía alternativas puede causar funcionamientos incorrectos de la herramienta y de la fuente de energía, los cuales les pueden producir lesiones graves a usted o a otras personas que estén en los alrededores.

**Desconecte la herramienta del suministro de aire cuando no se esté utilizando.** Si la herramienta se deja desatendida con el suministro de aire conectado, se puede causar una utilización accidental de la misma por usuarios que no estén familiarizados con ella.

**Desconecte la herramienta de la fuente de aire antes de hacer ajustes, despejar atascos, descargar sujetadores, irse del área de trabajo, realizar mantenimiento de la herramienta o almacenar la herramienta.** Dichas medidas precautorias de seguridad reducen el riesgo de un funcionamiento accidental de la herramienta.

**No lleve nunca la herramienta por la manguera.** La herramienta, los conectores de aire y la manguera de aire podrían sufrir daños.

**Utilice abrazaderas u otra manera práctica de sujetar y soportar la pieza de trabajo en una plataforma estable.** Si se sujeta la pieza de trabajo con la mano o contra el cuerpo, se crea una situación inestable que puede causar pérdida de control o lesiones corporales.

**La presión correcta es la presión más baja que hará el trabajo.** Siga siempre las recomendaciones para la herramienta específica.

**Mantenga las herramientas con cuidado.** Las herramientas mantenidas apropiadamente tienen menos probabilidades de romperse y causar lesiones. Cualquier alteración o modificación constituye un uso incorrecto y puede causar una situación peligrosa.

## Servicio de ajustes y reparaciones

**El mantenimiento realizado por personal no autorizado puede causar una descolocación de los componentes internos, lo cual podría causar un peligro grave.** Recomendamos que todo el servicio de ajustes y reparaciones de la herramienta sea realizado por un centro de servicio de fábrica BOSCH o una estación de servicio BOSCH autorizada.

**Desarrolle un programa de mantenimiento periódico para su herramienta. Cuando limpie una herramienta, tenga cuidado de no desensamblar ninguna parte de la herramienta, ya que los componentes internos se pueden descolocar o los componentes de seguridad se pueden montar incorrectamente.** Ciertos agentes de limpieza, tales como gasolina, tetracloruro de carbono, amoníaco, etc., pueden dañar las piezas de plástico y los anillos tipo O.

**Cuando haga servicio de ajustes y reparaciones de la herramienta, utilice únicamente piezas de repuesto BOSCH recomendadas. Siga las instrucciones contenidas en la sección Mantenimiento de este manual.** El uso de piezas no autorizadas o no seguir las instrucciones de mantenimiento puede causar un riesgo de lesiones.

**Utilice únicamente los lubricantes para herramientas de aire suministrados con la herramienta o especificados por BOSCH.** No utilice otros lubricantes, ya que podrían dañar la herramienta. Consulte la sección "Lubricación" para obtener una lista de lubricantes recomendados para herramientas de aire.

**Reemplace las etiquetas de advertencia que falten o estén dañadas.** Consulte el esquema de la herramienta para conocer la colocación correcta y el número de pieza.

**Mantenga la herramienta limpia y lubricada.** Limpie la herramienta al menos diariamente y lubríquela según sea necesario. No utilice nunca una herramienta sucia o que esté funcionando incorrectamente.

**Cuando no esté utilizando la herramienta, almacénela fuera del alcance de los niños y otras personas que no estén familiarizadas con su utilización.** Cuando la herramienta no se esté utilizando, se debe desconectar y almacenar en un lugar seco. Manténgala fuera del alcance de los niños. Cierre con llave el área de almacenamiento. Las herramientas son peligrosas en las manos de los usuarios que no estén familiarizados con ella.

## Fuente de aire

**No utilice nunca oxígeno ni otros gases embotellados como fuente de energía.** Podría ocurrir una explosión. Los gases combustibles y otros gases embotellados son peligrosos y pueden hacer que la herramienta explote.

**Utilice únicamente aire comprimido limpio, seco y regulado dentro del intervalo de presión nominal marcado en la herramienta.** No exceda la presión de aire máxima recomendada que esté marcada en la herramienta. Verifique antes de utilizar la herramienta que la fuente de aire haya sido ajustada dentro del intervalo de presión de aire nominal. Asegúrese de que el manómetro de presión de aire este funcionando correctamente y compruébelo al menos dos veces al día. Las herramientas que se utilicen en exceso de su capacidad nominal de presión máxima podrían funcionar anormalmente o reventar, causando lesiones corporales.

**No conecte nunca la herramienta a una fuente de aire que sea capaz de producir una presión de aire que exceda 200 PSI.** Una presión excesiva puede causar un funcionamiento anormal o hacer que la herramienta reviente, produciendo lesiones corporales.

**No maltrate la manguera de aire. Proteja todas las mangueras contra retorcimientos, restricciones, solventes u objetos afilados. Mantenga la manguera de aire alejada del calor, el aceite, los bordes afilados o las piezas móviles.** Reemplace inmediatamente las mangueras dañadas. Las mangueras dañadas pueden reventar o dar latigazos.

**Compruebe todos los conectores, mangueras, tuberías y conexiones, así como el compresor, antes de cada uso de esta herramienta. Repare o reemplace inmediatamente las mangueras y conexiones dañadas o con fugas.** Los daños a una manguera o una conexión pueden hacer que una manguera de presión se rompa y dé latigazos alrededor del área de trabajo, y esto puede causar lesiones.

## Normas de seguridad para herramientas clavadoras neumáticas

**Suponga siempre que la herramienta contiene clavos.** Compruebe la recámara para ver si hay clavos que se puedan haber dejado en la herramienta, incluso si cree que la herramienta está vacía o desconectada.

**No apunte nunca la herramienta hacia usted o hacia otras personas que estén en el área de trabajo.** Suponga siempre que la herramienta contiene clavos. Si se disparan clavos accidentalmente, se podrían causar lesiones. La herramienta no es un juguete y no se debe usar como tal.

**Retire el dedo del gatillo cuando no esté clavando clavos. Lleve siempre la herramienta solamente por el mango.** La retirada del dedo del gatillo cuando no se esté utilizando la herramienta reduce el riesgo de disparar un clavo accidentalmente y lastimarse usted o lastimar a otra persona.

**No desactive ni retire el elemento de contacto con la pieza de trabajo.** Esta herramienta está equipada con un mecanismo de seguridad, el elemento de contacto con la pieza de trabajo, para reducir el riesgo de disparo accidental. La desactivación de este componente puede causar un disparo accidental.

**No utilice la herramienta a menos que el elemento de contacto con la pieza de trabajo esté funcionando correctamente.** Si el elemento de contacto con la pieza de trabajo no está funcionando correctamente, la herramienta puede disparar inesperadamente.

**No utilice nunca acopladores que no sean no aliviadores de la presión ni acoplamientos hembra de desconexión rápida de la herramienta.** Los acoplamientos que no sean aliviadores de la presión y los acoplamientos hembra atraparán el aire a alta presión en la herramienta cuando se desconecte la línea de aire. Esto dejará la herramienta cargada con suficiente aire, después de que haya sido

desconectada, para clavar un clavo. Solamente se deben acoplar conectores de aire de tipo neumático MACHO a la herramienta, para que el aire a alta presión contenido en la herramienta sea expulsado a la atmósfera en cuanto se desconecte la línea de aire.

**Siga todas las recomendaciones de tamaños de mangueras, acoplamientos y otros accesorios de aire comprimido.** Los componentes de tamaño inapropiado o que encajen incorrectamente pueden causar riesgo de lesiones o daños materiales.

**Compruebe si las líneas de suministro de aire tienen restricciones antes de ajustar la herramienta.** El volumen de aire es tan importante como la presión de aire. Un flujo de aire restringido impedirá que la herramienta funcione conforme a su diseño, lo cual causará un funcionamiento lento, una alimentación incorrecta de los clavos o una reducción en la potencia de clavado.

**Cargue siempre los clavos en la recámara de la herramienta antes de conectar el suministro de aire.** Al conectar el suministro de aire después de cargar los clavos, se reduce el riesgo de clavar accidentalmente un clavo y lastimarse usted o lastimar a otra persona.

**Cuando cargue clavos, asegúrese de que éstos estén paralelos con la punta de la herramienta.** Si los clavos no están paralelos con la punta, la herramienta disparará incorrectamente y en ese caso los clavos se pueden desviar, hacer que la herramienta reaccione de manera inesperada y dañar la herramienta.

**Cuando cargue la recámara de la herramienta, asegúrese de que el seguidor de clavos se deslice suavemente tirando de él con un dedo.** Si no se desliza suavemente, los clavos se pueden clavar con un ángulo irregular.

**Utilice únicamente clavos que cumplan con los criterios indicados en la sección “Especificaciones” de este manual.** Los clavos no identificados para utilizarse con esta herramienta pueden hacer que la herramienta funcione incorrectamente y causar un riesgo de lesiones y/o daños a la herramienta.

**No conecte el suministro de aire cuando el gatillo o el elemento de contacto con la pieza de trabajo esté presionado.** Mantenga la herramienta apuntada hacia abajo, alejada de usted y de las personas que se encuentren presentes, cuando conecte la manguera, para reducir el riesgo de disparo accidental de un clavo.

**Mantenga las manos y los pies alejados del elemento de contacto con la pieza de trabajo de la herramienta durante el uso.** No ponga nunca las manos o los pies a menos de 8 pulgadas (20 cm) del elemento de contacto con la pieza de trabajo de la herramienta. Los clavos pueden ser desviados por la pieza de trabajo o pueden ser clavados alejándose del punto de entrada.

**La elección de los métodos de accionamiento del gatillo es importante; entienda las características operativas de cada opción.** Hay dos modos de disparo posibles; “disparo secuencial” y “disparo por contacto”. Lea y entienda la sección titulada “Sistemas de accionamiento” para conocer los detalles de cada modo.

**No utilice una herramienta congelada.** Deje que la herramienta se descongele antes de utilizarla. La humedad congelada en la herramienta puede dificultar el funcionamiento de los componentes internos, causando riesgo de lesiones y/o daños a la herramienta.

**Utilice la herramienta solamente cuando esté posicionada apropiadamente sobre la pieza de trabajo.** Si la herramienta no está sujeta apropiadamente sobre la pieza de trabajo, el clavo puede ser desviado o la herramienta puede reaccionar de manera inesperada.

**Utilice un agarre suficiente para mantener el control de la herramienta mientras deja que la herramienta retroceda alejándose de la superficie de trabajo cuando se clava el clavo. No intente impedir el retroceso sujetando la herramienta con una fuerza excesiva contra la pieza de trabajo.** La herramienta retrocederá mientras se clava el clavo. Ésta es una función normal de la herramienta. La restricción al retroceso puede provocar que el segundo clavo se clave cuando la herramienta esté en el modo de “disparo por contacto”.

**Tenga precaución cuando utilice la herramienta en áreas confinadas.** Si se permite que el elemento de contacto con la pieza de trabajo recontacte la superficie de trabajo antes de soltar el gatillo, se disparará un clavo no deseado si la herramienta está ajustada en el modo de “disparo por contacto”.

**Con el fin de evitar un doble disparo indeseable, tome las siguientes medidas cuando la herramienta esté en los siguientes modos de disparo:**

**Disparo secuencial:**

1. **Asegúrese de que el gatillo esté en el modo de disparo secuencial.**
2. **Tire del gatillo firmemente y suéltelo.**

**Disparo por contacto:**

1. **No presione la herramienta contra la madera con una fuerza excesiva.**
2. **Deje que la herramienta se separe de la madera mientras retrocede después de clavar.**

**No clave nunca clavos cerca de materiales inflamables.** Algunos tipos de clavos pueden generar chispas en la punta de la herramienta durante la operación de clavado.

**Sepa qué es lo que hay detrás de la pieza de trabajo. No dispare clavos en paredes o pisos sin asegurarse de que el área del lado opuesto esté despejada.** Un clavo podría atravesar la pieza de trabajo y golpear a alguien.

**No clave un clavo sobre otro clavo.** Esto podría hacer que el clavo sea desviado o que la herramienta reaccione de manera inesperada.

**No intente clavar clavos con un ángulo pronunciado.** Esto podría hacer que el clavo sea desviado o que la herramienta reaccione de manera inesperada.

**Tenga cuidado cuando clave clavos en material delgado o cuando trabaje cerca de los bordes y las esquinas de la pieza de trabajo.** Los clavos se pueden clavar atravesando la pieza de trabajo o alejándose de ella, y pueden lastimarle a usted o lastimar a otra persona. Tenga presente que el clavo puede seguir la veta de la madera, haciendo que sobresalga inesperadamente en el lado del material de trabajo. Clave los clavos perpendiculares a la veta.

**No clave clavos en paredes, pisos u otras áreas de trabajo sin saber qué es lo que podría ser dañado por los clavos clavados.** Los clavos clavados en cables eléctricos con corriente, elementos de plomería, tuberías de gas u otros tipos de obstrucciones pueden causar electrocución, explosión, lesiones corporales y/o daños materiales.

**Asegúrese de que la presión del compresor esté ajustada de manera que los clavos se claven al ras en la pieza de trabajo y no se empujen completamente a su través.** La presión correcta es la presión más baja que hará el trabajo.

**Mantenga la cara y las partes del cuerpo alejadas de la parte trasera de la tapa superior cuando trabaje en áreas restringidas.** Un retroceso repentino puede causar un impacto en el cuerpo, especialmente cuando se claven clavos en material duro o denso.

**Maneje la herramienta con cuidado.** Debido a la alta presión del aire en la herramienta, no deje caer la herramienta ni la golpee contra superficies duras; y no rasque, estampe ni grave letreros en la herramienta. La herramienta podría reventar.

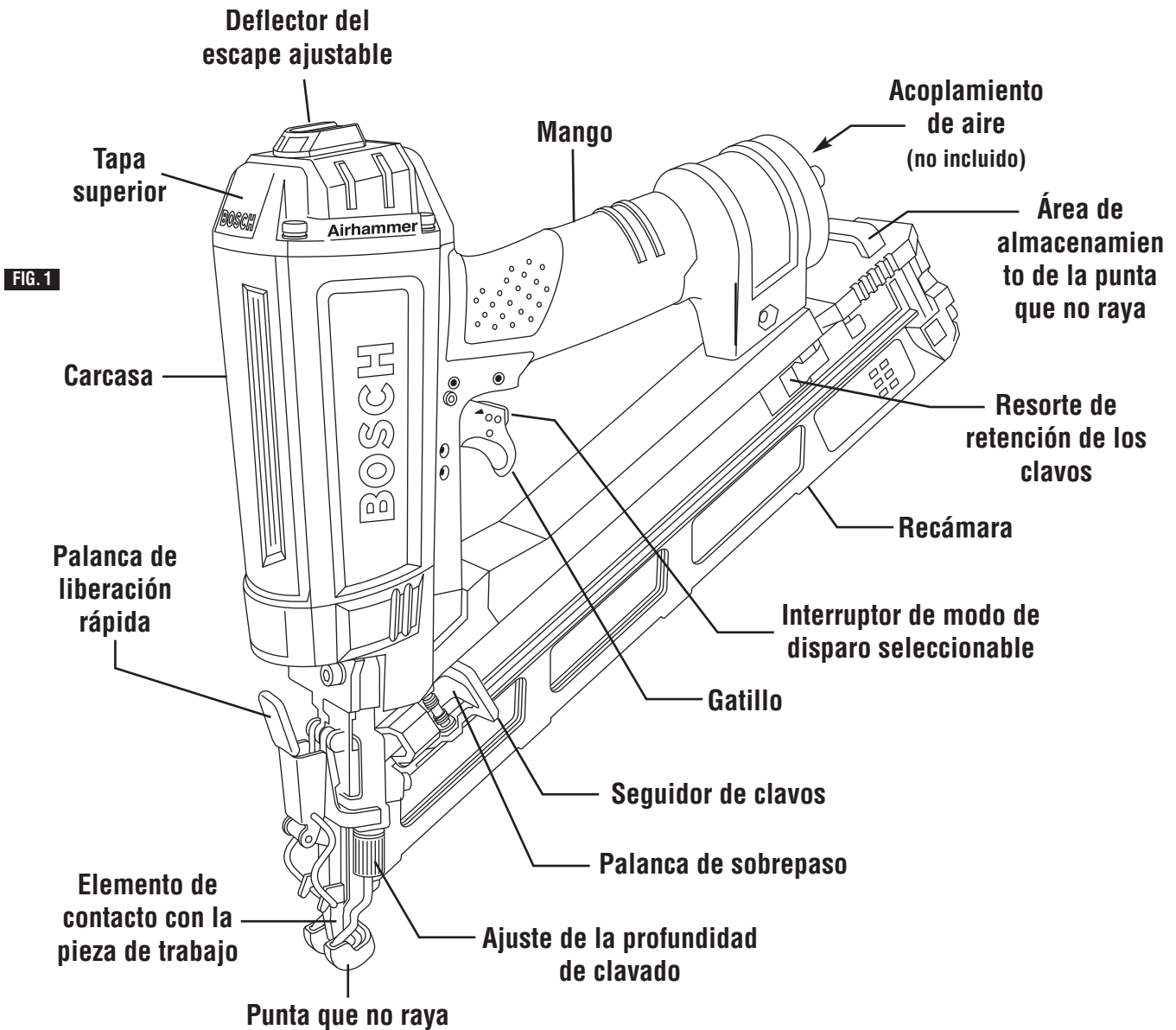
**Desconecte siempre la herramienta del suministro de aire y retire los clavos de la recámara antes de irse del área o pasar la herramienta a otro operador.** Esto evita el riesgo de un funcionamiento accidental.

**No desconecte la manguera de aire de la herramienta con el dedo en el gatillo o el elemento de contacto con la pieza de trabajo oprimido.** La herramienta se puede disparar cuando se reconecte al suministro de aire.



# Descripción funcional y especificaciones

**ADVERTENCIA** Desconecte la herramienta de la fuente de aire antes de hacer ajustes, cambiar accesorios o almacenar la herramienta. Dichas medidas precautorias de seguridad reducen el riesgo de funcionamiento accidental de la herramienta.



### Especificaciones

Tamaño del producto:

Altura: 12.1 pulgadas

Anchura: 3.1 pulgadas.

Peso: 4.1 lb

Presión de funcionamiento normal: 60 a 120 PSI

Capacidad de la recámara: 100 clavos

Mantenimiento: Engrase

Modos de disparo: Disparo por contacto o disparo secuencial

Consumo de aire, un disparo por segundo a 100 psi: 3.1 PCM

### Capacidades máximas

Clavos: Calibre de diámetro 15

Longitud (intervalo): 1-1/4 a 2-1/2 pulgadas.

Carga y cambio de los clavos: Por arriba

### Características adicionales

Punta que no raya y no necesita herramientas



## Ensamblaje / Instalación

Siga las instrucciones que aparecen más adelante para preparar su herramienta para la utilización.

1. Todos los operadores de la herramienta y sus supervisores inmediatos deben familiarizarse con las instrucciones de seguridad para el operador antes de utilizar la herramienta. Las instrucciones comienzan en la página 29 de este manual.
2. Con cada herramienta se incluyen una copia de estas "Instrucciones de funcionamiento y seguridad" y una copia del Esquema de la herramienta. Guarde estas publicaciones para referencia futura.
3. Instale un filtro, el regulador, la unidad del lubricador y el colector de humedad en su sistema de suministro de aire de acuerdo con las instrucciones del fabricante para estos dispositivos. Además, instale un manómetro lo más cerca que sea práctico de la herramienta, preferiblemente a menos de diez pies.
4. Seleccione mangueras con un diámetro interior mínimo de 3/8 de pulgada y una longitud máxima de 100 pies.

**ADVERTENCIA** Para reducir el riesgo de lesiones por causa de que una manguera revienta, seleccione mangueras que tengan una capacidad nominal de al menos 200 PSI.

5. Seleccione conectores que tengan el tamaño apropiado para las mangueras seleccionadas. La herramienta y la manguera de aire deben tener un acoplamiento de manguera tal que toda la presión se elimine de la herramienta cuando se desconecte la junta de acoplamiento.

**ADVERTENCIA** No utilice nunca acopladores que no sean aliviadores de la presión ni acoplamientos hembra de desconexión rápida en la herramienta. Los acoplamientos que no sean aliviadores de la presión y los acoplamientos hembra atraparán el aire a presión en la herramienta cuando se desconecte la línea de aire. Esto dejará la herramienta cargada con suficiente aire, después de que haya sido desconectada, para clavar un clavo. Solamente se deben acoplar conectores de aire de tipo neumático MACHO a esta herramienta, para que el aire a alta presión contenido en la herramienta sea expulsado a la atmósfera en cuanto se desconecte la línea de aire.

6. Ajuste el regulador del sistema de suministro de aire a unas PSI que estén dentro del intervalo de funcionamiento de la herramienta de 60 a 120 PSI. La presión correcta es la presión más baja que hará el trabajo.
7. Si el operador está trabajando en un banco de trabajo o una mesa, se recomienda pasar la línea de aire por debajo del banco de trabajo. Una pequeña bandeja debajo del tablero del banco de trabajo puede albergar el suministro de clavos y la herramienta cuando ésta no se esté utilizando.

## Utilización

### Sistema de accionamiento

La herramienta está equipada con dos dispositivos que requieren accionamiento antes de que la herramienta dispare, el elemento de contacto con la pieza de trabajo y el gatillo para el dedo. Hay dos modos seleccionables, incorporados en el gatillo, que determinan cómo la herramienta dispara los clavos.

**Modo de disparo "secuencial":** En el modo de disparo "secuencial" hay una secuencia predeterminada que se requiere para disparar un clavo. El elemento de contacto con la pieza de trabajo se debe presionar primero contra la pieza de trabajo. Una vez hecho esto, se disparará un clavo cuando se oprima el gatillo. Para disparar otro clavo más rápidamente, el elemento de contacto con la pieza de trabajo se debe retirar de la pieza de trabajo y se debe soltar el gatillo. Una vez hecho esto, se puede repetir la secuencia.

**Modo de disparo "por contacto":** En el modo de disparo "por contacto", los clavos se pueden disparar cada vez que el elemento de contacto con la pieza de trabajo se presione con el gatillo oprimido. Con el gatillo oprimido continuamente, se disparará un clavo cada vez que el elemento de contacto con la pieza de trabajo se presione contra la pieza de trabajo. Esto permite que los clavos se disparen a mayor velocidad.

Cada modo se describe en detalle en la sección "Modos de disparo" de este manual.

**ADVERTENCIA** Entienda las diferencias entre los modos de accionamiento de esta herramienta. La utilización de la herramienta en un modo inapropiado puede hacer que ésta reaccione de manera inesperada y puede causar lesiones corporales.

**ADVERTENCIA** Verifique el ajuste del interruptor gatillo seleccionable antes de utilizar la herramienta. La utilización de la herramienta antes de verificar el modo de accionamiento puede hacer que ésta reaccione de manera inesperada y podría causar lesiones corporales.



# Utilización

## Lubricación

Si la herramienta no se utiliza con un sistema de lubricación en línea en el suministro de aire, es necesario lubricarla periódicamente con un lubricante para herramientas de aire.

En caso de poco uso, lubrique la herramienta una vez al día. En caso de uso pesado, lubrique la herramienta dos veces al día. Para lubricarla, inserte 2 ó 3 gotas de lubricante en el acoplamiento del suministro de aire conectado al mango de la herramienta, FIG. 2. Si se utiliza demasiado aceite, éste se acumulará en la herramienta y será observable en el escape.

**⚠ ADVERTENCIA** Utilice únicamente los lubricantes para herramientas de aire suministrados con la herramienta o especificados por BOSCH. No utilice otros lubricantes, ya que pueden dañar la herramienta.

No utilice aceite detergente, WD-40, fluido para transmisiones, aceite de motor u otros lubricantes que no estén diseñados específicamente como lubricantes para herramientas de aire. Estos lubricantes causarán un desgaste acelerado de los sellos, los anillos tipo O y los amortiguadores de la herramienta, lo cual causa un rendimiento deficiente de la herramienta y la necesidad de mantenimiento frecuente.

BOSCH recomienda los siguientes lubricantes: Aceite para herramientas neumáticas 10W, Fuchs Air Lube 10W/NR.

## Carga de los clavos

**⚠ ADVERTENCIA** Cargue siempre clavos en la recámara de la herramienta antes de conectar el suministro de aire. Al conectar el suministro de aire después de cargar los clavos, se reduce el riesgo de clavar accidentalmente un clavo y lastimarse usted o lastimar a otra persona.

**⚠ ADVERTENCIA** Cuando cargue la recámara de la herramienta, asegúrese de que el seguidor de clavos se deslice suavemente tirando de él con un dedo. Si no se desliza suavemente, los clavos se pueden clavar con un ángulo irregular.

1. Inserte las tiras de clavos intercalados apropiadas en la ranura de carga ubicada en la parte trasera de la recámara, vea la figura 3. Consulte las especificaciones de la herramienta para determinar los tamaños y ángulos de clavo apropiados.
2. Oriente una tira de clavos aprobados con las puntas orientadas hacia abajo. Los clavos se deben insertar con las puntas primero en la ranura, vea la figura 4, y para alinear la cabeza del clavo con la porción en "T" superior de la ranura. Inserte los clavos completamente en la recámara, asegurándose de que el último clavo de la tira se deslice más allá del resorte de retención de los clavos, vea la figura 5.

**Nota:** La herramienta cuenta con un cierre de bloqueo del seguidor de clavos que evitará que la herramienta dispare cuando no quede ningún clavo en la recámara. La herramienta no permitirá que el elemento de contacto con la pieza de trabajo sea presionado cuando no haya clavos en la herramienta.

**⚠ ADVERTENCIA** Utilice únicamente los clavos que cumplan con los criterios indicados en la sección "Especificaciones" de este manual. Los clavos no identificados para utilizarse con esta herramienta pueden hacer que ésta funcione incorrectamente y causar riesgo de lesiones y/o daños a la herramienta.

FIG. 2

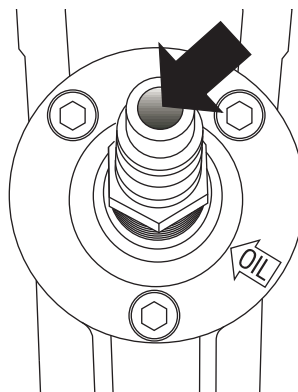
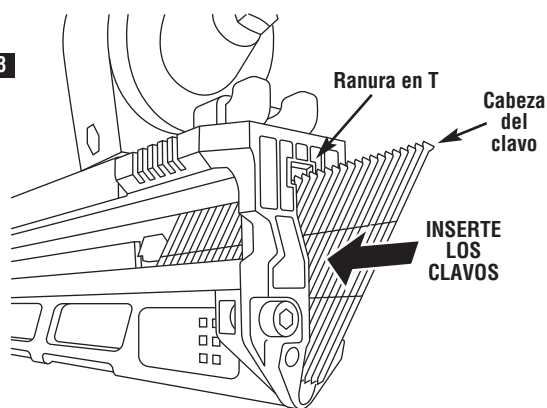
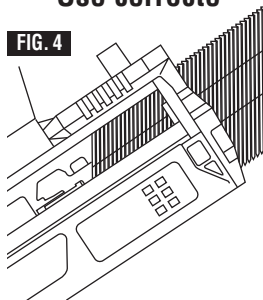


FIG. 3



Uso correcto

FIG. 4



Uso incorrecto

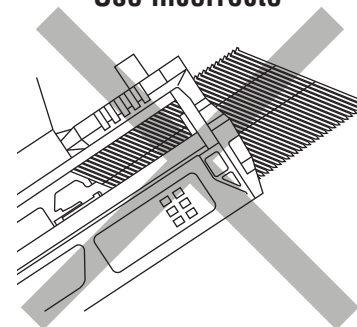
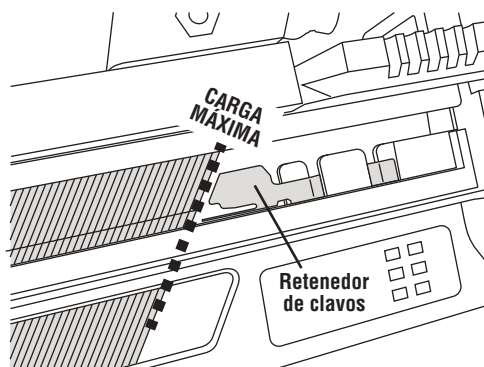


FIG. 5



## Utilización

- Esta herramienta utiliza una palanca de sobrepaso accionada por resorte para cargar y descargar los clavos. Una vez que los clavos estén insertados correctamente, tire del seguidor completamente hacia la parte trasera de la recámara, presionando contra la palanca de sobrepaso del seguidor, vea la figura 6.
- Una vez que el seguidor golpee la parte trasera de la recámara, deje que el seguidor se deslice hacia delante y acople los clavos, empujándolos hacia la punta de la herramienta, vea la figura 7.

**⚠ ADVERTENCIA** Esté atento a los puntos de pellizcamiento con el seguidor. No ponga nunca ninguna parte del cuerpo en el área de los puntos de pellizcamiento. Cuando cargue clavos, considere dónde tiene ubicada la mano. Si está dentro de un punto de pellizcamiento, considere seriamente una posición alternativa. Se producen lesiones cuando la mano o los dedos están entre las piezas móviles y estacionarias durante el movimiento de pellizcamiento.

### Conexión del suministro de aire

**⚠ ADVERTENCIA** No utilice nunca oxígeno ni otros gases embotellados como fuente de energía. Podría ocurrir una explosión. Los gases combustibles y otros gases embotellados son peligrosos y pueden hacer que la herramienta explote.

**⚠ ADVERTENCIA** No conecte nunca la herramienta a una fuente de aire que sea capaz de producir una presión de aire que exceda 200 PSI. Una presión excesiva puede causar un funcionamiento anormal o hacer que la herramienta reviente, causando lesiones corporales.

Utilice únicamente aire comprimido limpio, seco y regulado dentro del intervalo de presión marcado en la herramienta. La presión correcta es la presión más baja que hará el trabajo.

Antes de conectar la herramienta al suministro de aire, compruebe el manómetro del regulador del compresor de aire para asegurarse de que esté funcionando correctamente y que la presión de aire esté dentro del intervalo operativo de la herramienta, 60-120 psi.

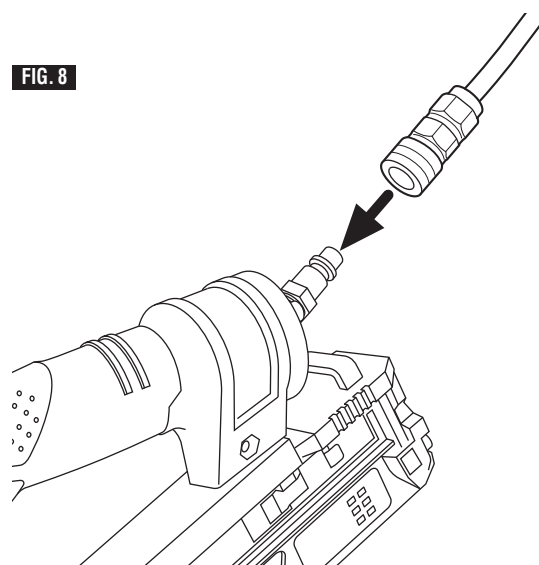
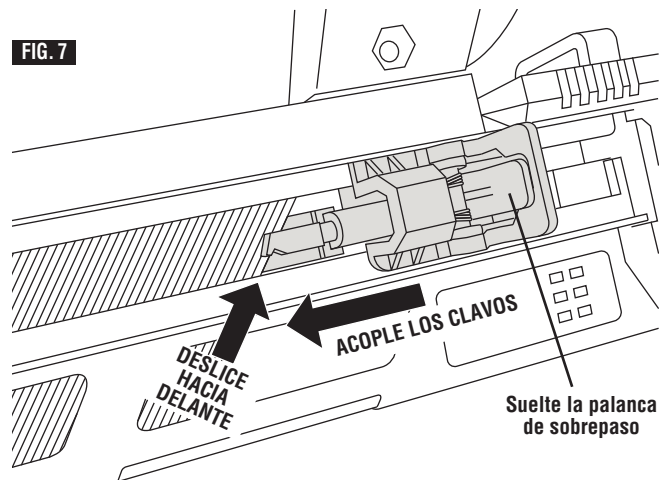
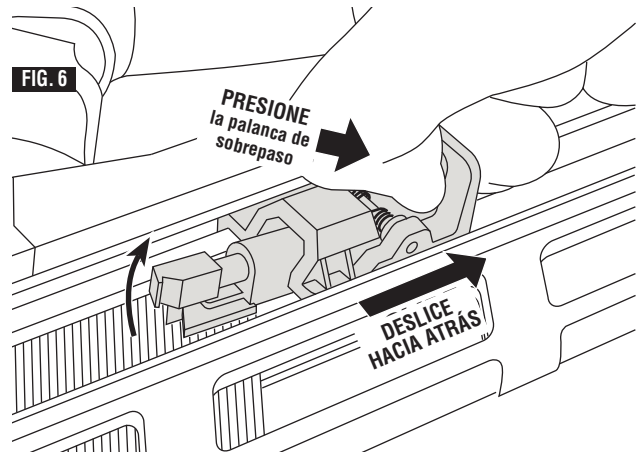
**⚠ ADVERTENCIA** No exceda la presión de aire máxima recomendada que está marcada en la herramienta. Verifique antes de utilizar la herramienta que la fuente de aire haya sido ajustada dentro del intervalo de presión de aire nominal. Asegúrese de que el manómetro de presión de aire esté funcionando correctamente y compruébelo al menos dos veces al día. Las herramientas utilizadas de manera que se exceda su capacidad nominal de presión máxima pueden funcionar anormalmente o reventar, causando lesiones corporales.

Para conectar la herramienta al compresor, utilice únicamente mangueras de aire neumáticas que cumplan con los siguientes criterios:

- Capacidad nominal de presión mínima de la manguera, 200 psi
- Diámetro interior mínimo de la manguera, 3/8 de pulgada
- Longitud máxima de la manguera, 100 pies

#### Para conectar el suministro de aire:

1. Acople a presión la manguera de aire en el conector rápido, FIG. 8.
2. Compruebe si hay alguna fuga de aire. Si se observa alguna fuga, deje de utilizar la herramienta inmediatamente y contacte a su centro de servicio BOSCH.
3. Asegúrese de que el manómetro de presión de aire esté funcionando correctamente y compruébelo al menos dos veces al día.



# Utilización

## Modos de disparo

La herramienta está equipada con un gatillo que puede seleccionar uno de los dos modos de disparo.

### Modo de disparo "secuencial":

Para utilizar la herramienta para clavar clavos en este modo de accionamiento, el elemento de contacto con la pieza de trabajo y el gatillo se deben usar en un orden específico:

1. Presione y gire el interruptor de modo de disparo seleccionable en la posición hacia abajo. En el gatillo, el indicador de modo de disparo debería estar apuntando hacia el icono de clavo, FIG. 9.
2. El elemento de contacto con la pieza de trabajo se debe presionar completamente colocando la punta de la herramienta contra la pieza de trabajo, FIG. 10.
3. Se debe tirar firmemente del gatillo y luego se debe soltar, FIG. 10.
4. Se debe dejar que la herramienta retroceda alejándose de la pieza de trabajo.

Para continuar la utilización en otro lugar, mueva la herramienta a lo largo de la pieza de trabajo, repitiendo los pasos 2 a 4 según sea necesario.

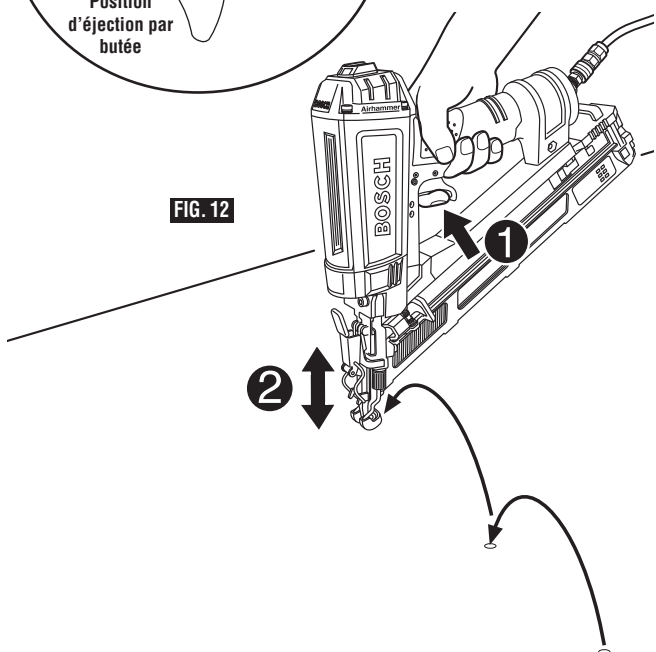
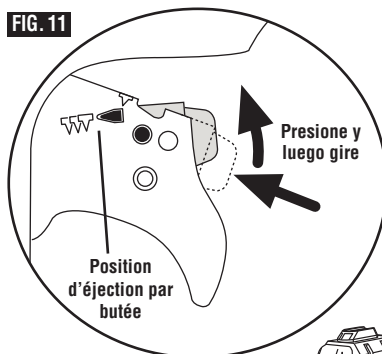
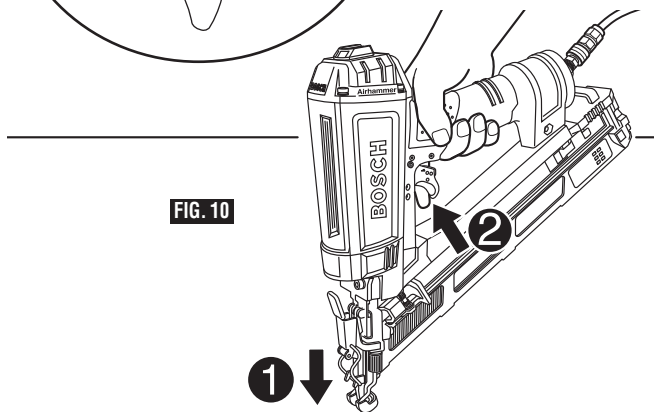
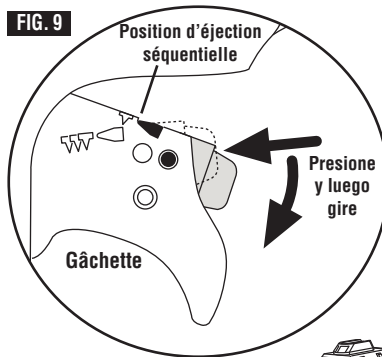
### Modo de disparo "por contacto":

Para utilizar la herramienta para clavar clavos en este modo de accionamiento, el elemento de contacto con la pieza de trabajo y el gatillo se pueden accionar en cualquier orden.

1. Presione y gire el interruptor de modo de disparo seleccionable en la posición hacia arriba. En el gatillo, el indicador de modo de accionamiento debe estar apuntando hacia el icono de varios clavos, FIG. 11.
2. Tire del gatillo y siga tirando de él con la herramienta separada de la pieza de trabajo.
3. Presione el elemento de contacto con la pieza de trabajo contra la pieza de trabajo. Se clavará un clavo, FIG. 12.
4. Se debe dejar que la herramienta retroceda alejándose de la pieza de trabajo.
5. Mueva la herramienta a lo largo de la pieza de trabajo con un movimiento de rebote. Cada vez que se presione el elemento de contacto con la pieza de trabajo, se clavará un clavo, FIG. 12.
6. En cuanto se haya clavado el número deseado de clavos, retire el dedo del gatillo.

**⚠ ADVERTENCIA** Retire el dedo del gatillo cuando no esté clavando clavos. Lleve siempre la herramienta solamente por el mango. La retirada del dedo del gatillo cuando no se esté utilizando la herramienta reduce el riesgo de disparar accidentalmente un clavo y lastimarse usted o lastimar a otra persona.

**⚠ ADVERTENCIA** Se debe dejar que la herramienta retroceda alejándose de la pieza de trabajo. No clave un clavo sobre otro clavo. Si la herramienta no se mueve antes de tirar de nuevo del gatillo, se clavará un segundo clavo sobre el clavo clavado previamente. Esto podría hacer que el clavo se desvíe o que la herramienta reaccione de manera inesperada.



# Utilización

## Utilización en tiempo frío

Cuando utilice la herramienta en condiciones frías, ésta realizará su ciclo más lentamente de lo habitual mientras clava los primeros clavos. La velocidad del ciclo aumentará a medida que la herramienta se caliente. Mantenga caliente la herramienta para evitar que se reduzca la velocidad del ciclo.

**⚠ ADVERTENCIA** No utilice una herramienta congelada. Deje que la herramienta se descongele antes de utilizarla. La humedad congelada en la herramienta puede dificultar el funcionamiento de los componentes internos, causando riesgo de lesiones y/o daños a la herramienta.

## Descarga de clavos

**⚠ ADVERTENCIA** Desconecte siempre la herramienta del suministro de aire antes de sacar los clavos de la recámara. Esto evita el riesgo de un funcionamiento accidental.

**⚠ ADVERTENCIA** No desconecte la manguera de aire de la herramienta con el dedo en el gatillo o el elemento de contacto con la pieza de trabajo presionado. La herramienta puede disparar cuando se reconecte al suministro de aire.

1. Desconecte el suministro de aire.
2. Tire hacia atrás del seguidor, presionando la palanca de sobrepaso del seguidor para permitir que éste se desacople de los clavos y dejar que regrese a la punta de la herramienta, vea la figura 13.
3. Incline la herramienta con la recámara vertical y la punta orientada hacia arriba. Esto permitirá que los clavos se deslicen hasta la parte trasera de la recámara.
4. Una vez que los clavos se hayan deslizado hacia atrás hasta el resorte de retención, presione la lengüeta ubicada en dicho resorte de retención para empujar el resorte hacia atrás y permitir que los clavos salgan de la recámara, vea la figura 14.

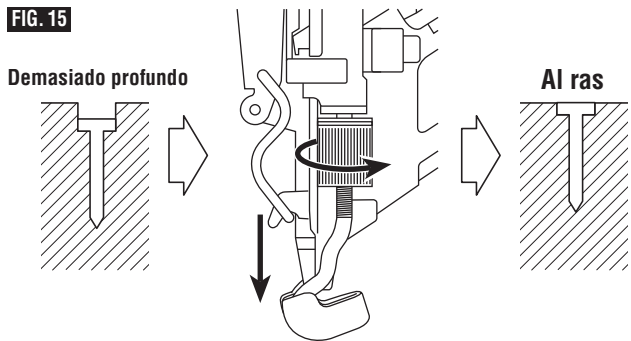
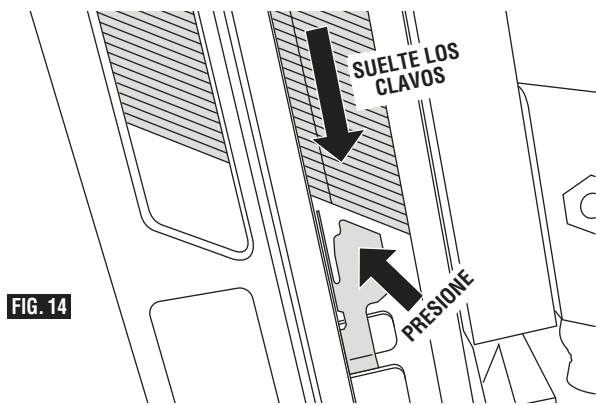
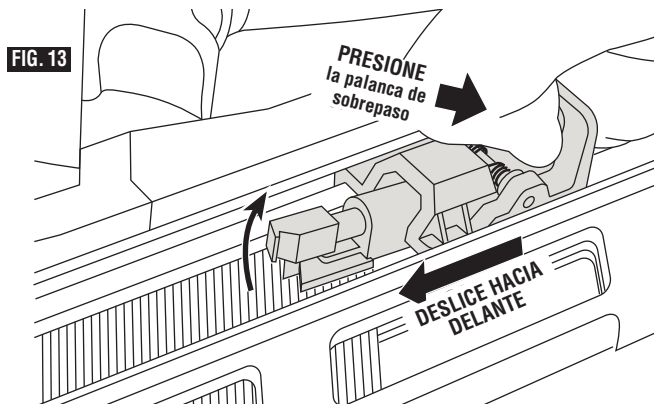
**⚠ ADVERTENCIA** No deje que el seguidor de clavos retroceda libremente. Guíe el seguidor con la mano hasta que alcance su posición completamente hacia delante. El retroceso libre del seguidor podría causar daños al seguidor y/o la recámara, o los dedos podrían resultar pellizcados.

## Ajuste de la profundidad de clavado

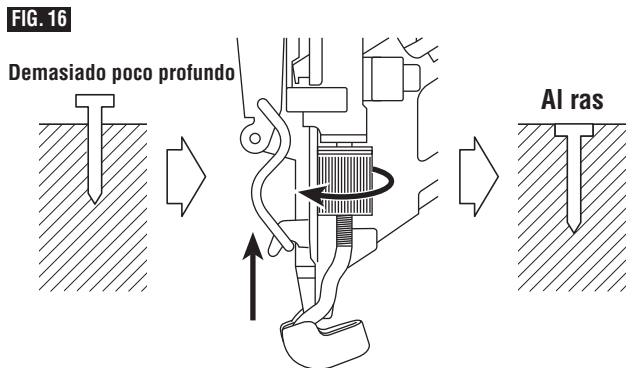
La profundidad con la que se clavan los clavos en la pieza de trabajo se puede ajustar utilizando el ajuste de profundidad ubicado en la pieza de punta de la herramienta.

**⚠ ADVERTENCIA** Desconecte la herramienta del suministro de aire antes de hacer ajustes. Dichas medidas precautorias de seguridad reducen el riesgo de un funcionamiento accidental de la herramienta.

1. Desconecte la herramienta del suministro de aire.
2. Saque los clavos de la herramienta tal y como se describe en la sección "Descarga de clavos" de este manual.
3. Ajuste la profundidad de clavado de la herramienta:
  - Para reducir la profundidad de clavado, gire el pomo de ajuste en el sentido de las agujas del reloj, FIG. 15.
  - Para clavar más profundamente el clavo, gire el pomo de ajuste en sentido contrario al de las agujas del reloj, FIG. 16.



Gire el pomo de ajuste en el sentido de las agujas del reloj.



Gire el pomo de ajuste en sentido contrario al de las agujas del reloj.

## Utilización

- Recargue los clavos tal y como se describe en la sección "Carga de los clavos" de este manual.
- Reconecte el suministro de aire.

**⚠ ADVERTENCIA** Sepa qué es lo que hay detrás de la pieza de trabajo. No dispare clavos en paredes o pisos sin asegurarse de que el área del lado opuesto esté despejada. Un clavo podría atravesar la pieza de trabajo y golpear a alguien.

### Despeje de atascos

**⚠ ADVERTENCIA** Desconecte la herramienta de la fuente de aire antes de intentar soltar un clavo atorado. Dichas medidas precautorias de seguridad reducen el riesgo de un funcionamiento accidental de la herramienta.

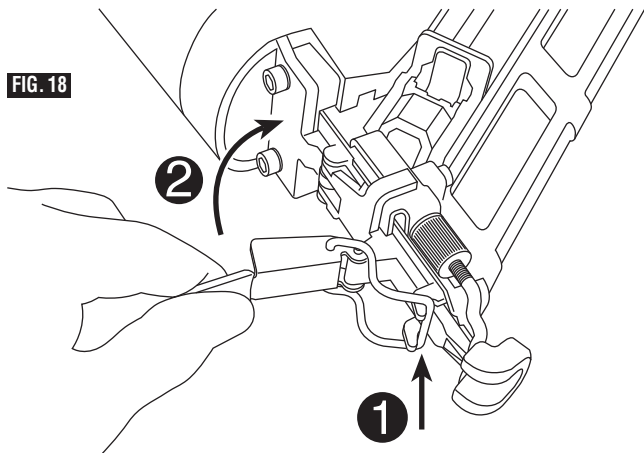
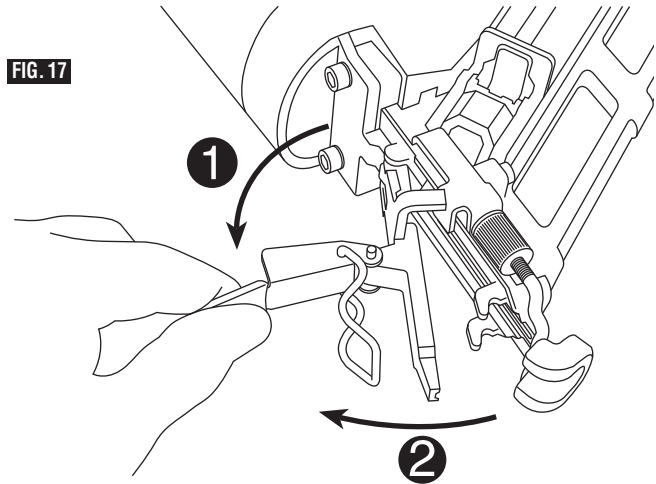
Si un clavo se atora en la pieza de punta, siga estas instrucciones para soltarlo:

- Suelte el gatillo.
- Desconecte el suministro de aire de la herramienta.
- Saque los clavos de la recámara tal y como se describe en "Descarga de clavos".
- Abra la punta de la herramienta tirando hacia delante de la palanca de liberación rápida. Tire de la punta de la herramienta hasta abrirla para obtener acceso al atasco del clavo, vea la figura 17.
- Retire el clavo, utilizando alicates si es necesario.
- Cierre la punta de la herramienta enganchando el resorte de la palanca de liberación rápida en los dos ganchos ubicados en la punta. Presione la palanca hasta cerrarla, vea la figura 18.
- Reinserte los clavos en la recámara tal y como se describe en "Carga de los clavos".
- Reconecte el suministro de aire tal y como se describe en "Conexión del suministro de aire".

**NOTA:** Si los clavos siguen atorándose frecuentemente en la pieza de punta, contacte a un centro de servicio BOSCH para hacer reparaciones.

### Deflector de escape ajustable

Esta herramienta tiene un deflector de escape ajustable que permite que el aire de escape sea soplado alejándolo del usuario o de la pieza de trabajo.



# Mantenimiento

## Servicio de ajustes y reparaciones

**⚠ ADVERTENCIA** El mantenimiento realizado por personal no autorizado puede causar una descolocación de los componentes internos, lo cual podría causar un peligro grave. Recomendamos que todo el servicio de ajustes y reparaciones de la herramienta sea realizado por un centro de servicio de fábrica BOSCH o una estación de servicio BOSCH autorizada.

Contacte a su centro de servicio BOSCH para obtener instrucciones y las siguientes piezas reemplazables por el usuario: anillos tipo O, amortiguadores y hojas impulsoras.

Para todas las demás reparaciones, contacte a su centro de servicio BOSCH.

## Limpieza

**⚠ ADVERTENCIA** Cuando limpie una herramienta, tenga cuidado de no desensamblar ninguna parte de la herramienta, ya que los componentes internos se pueden descolocar o los componentes de seguridad se pueden montar incorrectamente. Ciertos agentes de limpieza, tales como gasolina, tetracloruro de carbono, etc., pueden dañar las piezas de plástico y los anillos tipo O.

**⚠ ADVERTENCIA** No intente limpiar la herramienta insertando objetos puntiagudos a través de las aberturas. Los bordes afilados pueden dañar los componentes internos, causando un peligro grave.

Las aberturas de ventilación, el elemento de contacto con la pieza de trabajo y el gatillo se deben mantener limpios y libres de materias extrañas. Limpie periódicamente la herramienta con aire comprimido.

Limpie la recámara. Retire las virutas de plástico o de madera que se hayan acumulado en la recámara. Lubrique la recámara con lubricante para herramientas neumáticas.

## Almacenamiento

Cuando la herramienta no se esté utilizando, se debe desconectar y almacenar en el estuche de almacenamiento en un lugar cálido y seco. Cuando la herramienta no se vaya a usar durante un período prolongado, aplique una capa delgada de lubricante a las piezas de acero para evitar la corrosión.

No almacene la herramienta en un lugar donde haga frío.

**⚠ ADVERTENCIA** Mantenga la herramienta fuera del alcance de los niños y del personal que no esté familiarizado con su utilización. Cierre con llave el área de almacenamiento. Las herramientas son peligrosas en manos de personal que no esté familiarizado con ellas.

ACCIÓN	POR QUÉ	CÓMO
Drene diariamente el filtro de la línea de aire.	Evita la acumulación de humedad y suciedad.	Abra la válvula manual.
Mantenga lleno el lubricador.	Mantiene lubricada la clavadora.	Llene el lubricador con lubricante para herramientas neumáticas BOSCH.
Limpie el elemento del filtro. Luego, pase aire comprimido a través del filtro en sentido contrario al flujo normal.	Evita obstruir el filtro con suciedad.	Siga las instrucciones del fabricante.
Limpie la recámara y el seguidor.	Evita un atasco.	Limpie diariamente el mecanismo con aire comprimido.
Mantenga el elemento de contacto con la pieza de trabajo funcionando correctamente.	Promueve la seguridad del operador y el funcionamiento eficiente de la herramienta.	Límpielo diariamente con aire comprimido.
Lubrique la herramienta.	Prolonga la duración de la herramienta.	Ponga 2 ó 3 gotas de lubricante en la herramienta siguiendo las instrucciones.
Drene el compresor de aire.	Mantiene el agua fuera de la herramienta.	Abra la válvula del tanque del compresor de aire.

## Accesorios

### Almohadilla que no raya

La almohadilla que no raya, ubicada en la punta del elemento de contacto con la pieza de trabajo, protege la pieza de trabajo contra los dientes de clavado oblicuo del elemento de contacto con la pieza de trabajo cuando dicho elemento de contacto es comprimido durante el accionamiento. La almohadilla se puede retirar y reemplazar.

**⚠ ADVERTENCIA** Desconecte el suministro de aire de la herramienta y retire las tiras de clavos antes de retirar o reemplazar las almohadillas que no rayan. Dichas medidas precautorias de seguridad reducen el riesgo de un funcionamiento accidental de la herramienta.

**Para retirar la almohadilla:** Tire de la punta que no raya hacia la parte trasera de la herramienta, siguiendo la curva de la punta de alambre.

**Para reinstalar la almohadilla:** Empuje la punta que no raya sobre la herramienta, insertando la abertura de dicha punta que no raya en la punta de alambre.

### Compresor

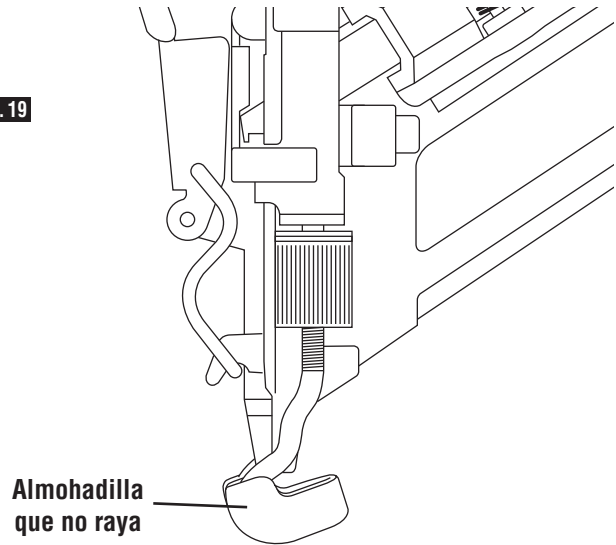
Un compresor de tamaño correcto es crucial para lograr el máximo rendimiento de la herramienta. Utilice el siguiente cálculo para determinar el tamaño de compresor requerido.

$$\text{Tamaño del compresor (PCM)} = \frac{\text{Consumo de aire (PCM)}}{60}$$

$$\times \text{Disparos por minuto} \quad \times \text{Número de herramientas} \quad \times 1.2$$

Consumo de aire, un disparo por segundo a 100 psi: 3.1 PCM

FIG. 19



## Resolución de problemas

PROBLEMA	SÍNTOMAS	RESOLUCIÓN
La clavadora funciona, pero no se clavan clavos.	<ul style="list-style-type: none"> <li>• Compruebe si hay algún atasco.</li> <li>• Compruebe la función del seguidor de clavos.</li> <li>• ¿Resorte del seguidor debilitado o dañado?</li> <li>• Compruebe si los clavos son apropiados.</li> <li>• Verifique si la herramienta está cargada.</li> </ul>	<ul style="list-style-type: none"> <li>• Despeje el atasco.</li> <li>• Limpie y lubrique la clavadora.</li> <li>• Reemplace el resorte del seguidor.</li> <li>• Use únicamente clavos recomendados.</li> <li>• Recargue la herramienta.</li> </ul>
La acción de clavado parece lenta o débil.	<ul style="list-style-type: none"> <li>• Compruebe si la presión del aire está en el intervalo operativo.</li> <li>• ¿Hoja impulsora desgastada?</li> <li>• ¿Anillo tipo O del pistón desgastado o dañado?</li> <li>• ¿Amortiguador desgastado?</li> <li>• Compruebe el diámetro y la longitud recomendados para la manguera.</li> </ul>	<ul style="list-style-type: none"> <li>• Aumente la presión del aire (no exceda 120 psi).</li> <li>• Use lubricante para herramientas neumáticas.</li> <li>• Contacte a Bosch para obtener un reemplazo o hacer reparaciones.</li> <li>• Reemplace el amortiguador.</li> <li>• Siga las recomendaciones.</li> <li>• Compruebe si la manguera tiene retorcimientos.</li> </ul>
La herramienta clava los clavos demasiado profundamente.	<ul style="list-style-type: none"> <li>• Compruebe la presión del aire.</li> <li>• Compruebe la profundidad de clavado.</li> <li>• Compruebe el desgaste del amortiguador.</li> </ul>	<ul style="list-style-type: none"> <li>• Reduzca la presión del aire. Presión operativa mínima 60 psi.</li> <li>• Use el "Ajuste de la profundidad de clavado".</li> <li>• Reemplace el amortiguador.</li> </ul>
La herramienta clava los clavos demasiado poco profundamente.	<ul style="list-style-type: none"> <li>• Compruebe la presión del aire.</li> <li>• Compruebe la profundidad de clavado.</li> <li>• Compruebe el diámetro y la longitud apropiados para la manguera.</li> </ul>	<ul style="list-style-type: none"> <li>• Aumente la presión del aire. La presión operativa máxima es 120 psi.</li> <li>• Use el "Ajuste de la profundidad de clavado".</li> <li>• Siga las recomendaciones.</li> <li>• Compruebe si la manguera tiene retorcimientos.</li> </ul>
La herramienta salta clavos o tiene un avance intermitente.	<ul style="list-style-type: none"> <li>• Compruebe si los clavos son apropiados.</li> <li>• Compruebe la función de la recámara de acuerdo con la página 33.</li> <li>• ¿Resorte del seguidor debilitado o dañado?</li> <li>• ¿Anillo tipo O del pistón cortado o muy desgastado?</li> </ul>	<ul style="list-style-type: none"> <li>• Use únicamente clavos recomendados.</li> <li>• Limpie y lubrique la herramienta.</li> <li>• Reemplace el resorte del seguidor.</li> <li>• Contacte a Bosch para obtener un reemplazo.</li> </ul>
Los clavos se atorán frecuentemente.	<ul style="list-style-type: none"> <li>• Compruebe si los clavos son apropiados.</li> </ul>	<ul style="list-style-type: none"> <li>• Use sólo clavos recomendados.</li> </ul>
Los clavos clavados están doblados.	<ul style="list-style-type: none"> <li>• ¿Hoja impulsora desgastada?</li> </ul>	<ul style="list-style-type: none"> <li>• Contacte a Bosch para obtener un reemplazo.</li> </ul>
Los clavos se clavan correctamente durante el funcionamiento normal, pero no se clavan completamente a velocidades de clavado más rápidas.	<ul style="list-style-type: none"> <li>• Compruebe el diámetro interior de la manguera de aire.</li> <li>• Compruebe la idoneidad del compresor.</li> </ul>	<ul style="list-style-type: none"> <li>• Use la manguera de aire correcta.</li> <li>• Use el compresor de tamaño correcto para el número de herramientas utilizadas y la velocidad de trabajo.</li> </ul>



# Notas

### LIMITED WARRANTY OF BOSCH PORTABLE AND BENCHTOP POWER TOOLS

Robert Bosch Tool Corporation ("Seller") warrants to the original purchaser only, that all BOSCH portable and benchtop power tools will be free from defects in material or workmanship for a period of one year from date of purchase. SELLER'S SOLE OBLIGATION AND YOUR EXCLUSIVE REMEDY under this Limited Warranty and, to the extent permitted by law, any warranty or condition implied by law, shall be the repair or replacement of parts, without charge, which are defective in material or workmanship and which have not been misused, carelessly handled, or misrepaired by persons other than Seller or Authorized Service Station. To make a claim under this Limited Warranty, you must return the complete portable or benchtop power tool product, transportation prepaid, to any BOSCH Factory Service Center or Authorized Service Station. For Authorized BOSCH Power Tool Service Stations, please refer to your phone directory.

THIS LIMITED WARRANTY DOES NOT APPLY TO ACCESSORY ITEMS SUCH AS CIRCULAR SAW BLADES, DRILL BITS, ROUTER BITS, JIGSAW BLADES, SANDING BELTS, GRINDING WHEELS AND OTHER RELATED ITEMS.

ANY IMPLIED WARRANTIES SHALL BE LIMITED IN DURATION TO ONE YEAR FROM DATE OF PURCHASE. SOME STATES IN THE U.S., SOME CANADIAN PROVINCES DO NOT ALLOW LIMITATIONS ON HOW LONG AN IMPLIED WARRANTY LASTS, SO THE ABOVE LIMITATION MAY NOT APPLY TO YOU.

IN NO EVENT SHALL SELLER BE LIABLE FOR ANY INCIDENTAL OR CONSEQUENTIAL DAMAGES (INCLUDING BUT NOT LIMITED TO LIABILITY FOR LOSS OF PROFITS) ARISING FROM THE SALE OR USE OF THIS PRODUCT. SOME STATES IN THE U.S. AND SOME CANADIAN PROVINCES DO NOT ALLOW THE EXCLUSION OR LIMITATION OF INCIDENTAL OR CONSEQUENTIAL DAMAGES, SO THE ABOVE LIMITATION OR EXCLUSION MAY NOT APPLY TO YOU.

THIS LIMITED WARRANTY GIVES YOU SPECIFIC LEGAL RIGHTS, AND YOU MAY ALSO HAVE OTHER RIGHTS WHICH VARY FROM STATE TO STATE IN THE U.S., PROVINCE TO PROVINCE IN CANADA AND FROM COUNTRY TO COUNTRY.

THIS LIMITED WARRANTY APPLIES ONLY TO PORTABLE AND BENCHTOP ELECTRIC AND PNEUMATIC TOOLS SOLD WITHIN THE UNITED STATES OF AMERICA, CANADA AND THE COMMONWEALTH OF PUERTO RICO. FOR WARRANTY COVERAGE WITHIN OTHER COUNTRIES, CONTACT YOUR LOCAL BOSCH DEALER OR IMPORTER.

### GARANTIE LIMITÉE DES OUTILS ÉLECTRIQUES PORTATIFS ET D'ÉTABLI BOSCH

Robert Bosch Tool Corporation (le « vendeur ») garantit à l'acheteur initial seulement que tous les outils électriques portatifs et d'établi BOSCH seront exempts de vices de matériaux ou d'exécution pendant une période d'un an depuis la date d'achat. LA SEULE OBLIGATION DU VENDEUR ET LE SEUL RECOURS DE L'ACHETEUR sous la présente garantie limitée, et en autant que la loi le permette sous toute garantie ou condition implicite qui en découlerait, sera l'obligation de remplacer ou réparer gratuitement les pièces défectueuses matériellement ou comme fabrication, pourvu que lesdites défectuosités ne soient pas attribuables à un usage abusif ou à quelque réparation bricolée par quelqu'un d'autre que le vendeur ou le personnel d'une station-service agréée. Pour présenter une réclamation en vertu de cette garantie limitée, vous devez renvoyer l'outil électrique portatif ou d'établi complet, port payé, à tout centre de service agréé ou centre de service usine BOSCH. Veuillez consulter votre annuaire téléphonique pour les adresses.

LA PRÉSENTE GARANTIE NE S'APPLIQUE PAS AUX ACCESSOIRES TELS QUE LAMES DE SCIES CIRCULAIRES, MÊCHES DE PERCEUSES, FERS DE TOUPIES, LAMES DE SCIES SAUTEUSES, COURROIES DE PONÇAGE, MEULES ET AUTRES ARTICLES DU GENRE.

TOUTE GARANTIE IMPLICITE SERA LIMITÉE COMME DURÉE À UN AN À COMPTER DE LA DATE D'ACHAT. CERTAINS ÉTATS AMÉRICAINS, CERTAINES PROVINCES CANADIENNES N'ADMETTANT PAS LE PRINCIPE DE LA LIMITATION DE LA DURÉE DES GARANTIES IMPLICITES, IL EST POSSIBLE QUE LES LIMITATIONS CI-DESSUS NE S'APPLIQUENT PAS À VOTRE CAS.

EN AUCUN CAS LE VENDEUR NE SAURAIT ÊTRE TENU POUR RESPONSABLE DES INCIDENTS OU DOMMAGES INDIRECTS (INCLUANT, MAIS NE SE LIMITANT PAS AUX PERTES DE PROFITS) CONSÉCUTIFS À LA VENTE OU L'USAGE DE CE PRODUIT. CERTAINS ÉTATS AMÉRICAINS ET CERTAINES PROVINCES CANADIENNES N'ADMETTANT PAS LE PRINCIPE DE LA LIMITATION NI L'EXCLUSION DES DOMMAGES INDIRECTS ET CONSÉQUENTIELS, IL EST POSSIBLE QUE LES LIMITATIONS OU EXCLUSIONS CI-DESSUS NE S'APPLIQUENT PAS À VOTRE CAS.

LA PRÉSENTE GARANTIE VOUS ACCORDE DES DROITS BIEN DÉTERMINÉS, Y COMPRIS POSSIBLEMENT CERTAINS DROITS VARIABLES DANS LES DIFFÉRENTS ÉTATS AMÉRICAINS, PROVINCES CANADIENNES.

CETTE GARANTIE LIMITÉE NE S'APPLIQUE QU'AUX OUTILS ÉLECTRIQUES PORTATIFS ET D'ÉTABLI, AINSI QU'AUX OUTILS PNEUMATIQUES, VENDUS AUX ÉTATS-UNIS D'AMÉRIQUE, AU CANADA ET AU COMMONWEALTH DE PORTO RICO. POUR COUVERTURE DE GARANTIE DANS LES AUTRES PAYS, CONTACTEZ VOTRE IMPORTATEUR OU REVENDEUR BOSCH LOCAL.

### GARANTIA LIMITADA PARA HERRAMIENTAS MECANICAS PORTATILES Y PARA TABLERO DE BANCO BOSCH

Robert Bosch Tool Corporation ("el Vendedor") garantiza, únicamente al comprador original, que todas las herramientas mecánicas portátiles y para tablero de banco BOSCH estarán libres de defectos de material o de fabricación durante un período de un año a partir de la fecha de compra. LA UNICA OBLIGACION DEL VENDEADOR Y EL RECURSO EXCLUSIVO QUE USTED TIENE bajo esta Garantía Limitada y, hasta donde la ley lo permita, bajo cualquier garantía o condición implícita por ley, consistirá en la reparación o sustitución sin costo de las piezas que presenten defectos de material o de fabricación y que no hayan sido utilizadas incorrectamente, manejadas descuidadamente o reparadas incorrectamente por personas que no sean el Vendedor o una Estación de servicio autorizada. Para efectuar una reclamación bajo esta Garantía Limitada, usted debe devolver el producto, que consiste en la herramienta mecánica portátil o para tablero de banco completa, con el transporte pagado, a cualquier Centro de servicio de fábrica o Estación de servicio autorizada BOSCH. Para Estaciones de servicio autorizadas de herramientas mecánicas BOSCH, por favor, consulte el directorio telefónico.

ESTA GARANTIA LIMITADA NO SE APLICA A ARTICULOS ACCESORIOS TALES COMO HOJAS PARA SIERRAS CIRCULARES, BROCAS PARA TALADROS, BROCAS PARA FRESADORAS, HOJAS PARA SIERRAS DE VAIVEN, CORREAS PARA LIJAR, RUEDAS DE AMOLAR Y OTROS ARTICULOS RELACIONADOS.

TODAS LAS GARANTIAS IMPLICITAS TENDRAN UNA DURACION LIMITADA A UN AÑO A PARTIR DE LA FECHA DE COMPRA. ALGUNOS ESTADOS DE LOS EE.UU., ALGUNAS PROVINCIAS CANADIENSES NO PERMITEN LIMITACIONES EN CUANTO A LA DURACION DE UNA GARANTIA IMPLICITA, POR LO QUE ES POSIBLE QUE LA LIMITACION ANTERIOR NO SEA APLICABLE EN EL CASO DE USTED.

EL VENDEADOR NO SERA RESPONSABLE EN NINGUN CASO DE NINGUN DAÑO INCIDENTAL O EMERGENTE (INCLUYENDO PERO NO LIMITADO A RESPONSABILIDAD POR PERDIDA DE BENEFICIOS) QUE SE PRODUZCA COMO CONSECUENCIA DE LA VENTA O UTILIZACION DE ESTE PRODUCTO. ALGUNOS ESTADOS DE LOS EE.UU. Y ALGUNAS PROVINCIAS CANADIENSES NO PERMITEN LA EXCLUSION O LIMITACION DE LOS DAÑOS INCIDENTALES O EMERGENTES, POR LO QUE ES POSIBLE QUE LA LIMITACION O EXCLUSION ANTERIOR NO SEA APLICABLE EN EL CASO DE USTED.

ESTA GARANTIA LIMITADA LE CONFIERE A USTED DERECHOS LEGALES ESPECIFICOS Y ES POSIBLE QUE USTED TAMBIEN TENGA OTROS DERECHOS QUE VARIAN DE ESTADO A ESTADO EN LOS EE.UU., DE PROVINCIA A PROVINCIA EN CANADA.

ESTA GARANTIA LIMITADA SE APLICA SOLAMENTE A HERRAMIENTAS ELÉCTRICAS Y NEUMÁTICAS PORTÁTILES Y PARA TABLERO DE BANCO VENDIDAS EN LOS ESTADOS UNIDOS DE AMÉRICA, CANADÁ Y EL ESTADO LIBRE ASOCIADO DE PUERTO RICO. PARA COBERTURA DE GARANTÍA EN OTROS PAÍSES, PÓNGASE EN CONTACTO CON SU DISTRIBUIDOR O IMPORTADOR LOCAL DE BOSCH.

© Robert Bosch Tool Corporation 1800 W. Central Road Mt. Prospect, IL 60056 -2230

Exportado por: Robert Bosch Tool Corporation Mt. Prospect, IL 60056 -2230, E.U.A.

Importado en México por: Robert Bosch, S.A. de C.V., Calle Robert Bosch No. 405, Zona Industrial,

Toluca, Edo. de México, C.P. 50070, Tel. (722) 2792300

2610957377 02/09

Printed in Taiwan