

SAW TABLE

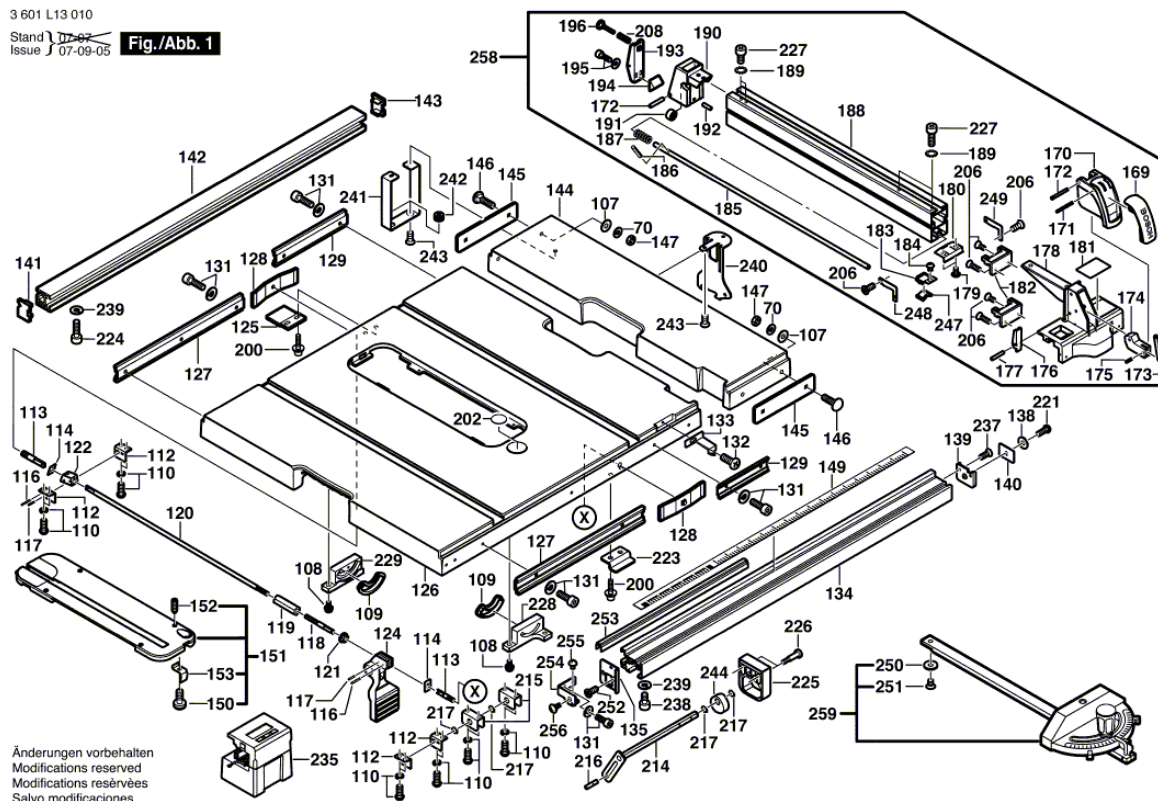
0 601 B13 010 4100

14.02.2008 16:04:46

3 601 L13 010

Stand 07-97
Issue 07-09-05

Fig./Abb. 1



Item	Quantity	Order No.	Designation	Price group	Page
1	1	2 610 996 864	MOTOR HOUSING	37	2
2	1	2 610 996 867	FIELD / 120V	40	2
3	1	2 610 996 866	ARMATURE / 120V	49	2
4	1	2 610 950 037	ON-OFF SWITCH		3
5	1	2 610 996 945	POWER SUPPLY CORD	35	3
6	1	2 610 950 038	GROMMET		3
7	1	2 610 358 842	CLAMP	11	3
8	1	2 610 950 039	TYPE IDENTIFYING MARK		3
9	1	2 610 950 040	LABEL		3
10	1	2 610 997 207	CARBON-BRUSH SET	26	2
12	1	2 610 997 306	GOVERNOR / 115-120V	42	2
13	1	2 610 911 928	BALL BEARING	24	2
14	1	2 610 911 927	BALL BEARING	31	2
16	2	2 610 911 858	CARBON BRUSH HOLDER	27	2
19	2	2 610 358 841	HEX SCREW	11	3
20	1	2 610 950 041	WARNING LABEL		3
22	1	2 610 996 865	COVER	26	2
23	3	2 610 998 571	SCREW	10	2
24	2	2 610 911 859	COVER	12	2
26	2	2 610 911 569	INSERT	13	2
27	2	2 610 911 929	SCREW	10	2
28	1	2 610 996 948	RUBBER RING	11	2
29	1	2 610 911 566	BEARING END PLATE	14	2
30	2	2 610 950 427	SET SCREW		2
31	1	2 610 996 863	GEAR HOUSING	41	2
32	2	2 610 945 505	SCREW		2
33	1	2 610 950 042	WASHER		2

34	1	2 610 996 949	BALL BEARING	26	2
35	1	2 610 997 281	SPRING RETAINING RING	10	2
36	1	2 610 997 208	TOOTHED GEAR	35	2
37	1	2 610 996 869	GEAR COVER	31	2
38	1	2 610 358 916	SPRING RETAINING RING	11	2
39	1	2 610 997 210	BALL BEARING	26	2
40	1	2 610 950 043	SHAFT		2
41	1	2 610 993 102	KEY	12	2
42	1	2 610 996 932	BEARING SLEEVE	13	2
43	3	2 610 950 044	SCREW		2
44	4	2 610 998 572	SCREW	10	2
45	1	2 610 996 875	COILED SPRING	11	2
46	1	2 610 996 874	LOCKING LEVER	23	2
47	1	2 610 996 876	SHOULDER SCREW	11	2
48	1	2 610 950 045	WASHER		2
49	1	2 610 950 046	WASHER		2
50	1	2 610 950 047	NUT		2
51	1	2 610 996 879	WING SCREW	13	2
52	1	2 610 950 048	COVER PLATE		2
53	5	2 610 950 049	SCREW		2
54	1	2 610 950 050	COVER PLATE		2
55	1	2 610 950 051	HOLDING PLATE		2
56	2	2 610 950 052	ROD		2
57	1	2 610 997 276	SPRING RETAINING RING	10	3
58	1	2 610 950 053	THREADED ROD		2
59	1	2 610 998 573	SPRING RETAINING RING	10	2
60	1	2 610 997 221	BUSHING	17	2
61	2	2 610 996 896	TOOTHED GEAR	18	2
62	1	2 610 912 587	SPRING WASHER	10	2
63	1	2 610 998 588	SCREW	11	2
64	2	2 610 358 149	NUT	10	2
65	2	2 610 950 054	PIN		2
66	1	2 610 997 277	SPRING RETAINING RING	10	3
67	1	2 610 997 212	MOUNTING BRACKET	14	3
68	1	2 610 997 222	BUSHING	11	3
70	4	2 610 355 325	SPRING WASHER	10	1
71	1	2 610 996 897	SHAFT	23	3
72	1	2 610 996 933	THREADED BUSHING	26	3
73	1	2 610 996 938	BUSHING	21	3
74	3	2 610 950 055	SCREW		3
75	1	2 610 997 271	SPRING	11	3
76	1	2 610 998 550	PLAIN WASHER	11	3
77	1	2 610 997 299	PLAIN WASHER	11	3
78	1	2 610 997 298	NUT	17	3
79	1	2 610 950 056	HANDLE		3
80	1	2 610 950 057	HANDWHEEL		3
81	1	2 610 950 058	SCREW		3
82	1	2 610 950 059	SCREW		3
83	1	2 610 950 060	SCREW		3
84	1	2 610 950 061	SCREW		3
85	1	2 610 950 062	POINTER		3
86	2	2 610 347 092	PLAIN WASHER	10	3
87	4	2 610 911 901	SELF-LOCKING NUT	11	2
89	2	2 610 996 929	STOP	11	3
90	1	2 610 950 063	HOUSING		3
91	4	2 610 997 294	SCREW	10	3
92	1	2 610 950 064	SWITCH COVER		3
93	4	2 610 358 846	RUBBER BUSHING	11	3
94	2	2 610 996 930	PICKUP CLIP	13	3
95	2	2 610 950 065	HOLDING SPRING		3
96	6	2 610 950 066	SCREW		3
97	2	2 610 990 504	CABLE CLIP	10	3
98	2	2 610 950 067	SCREW		3

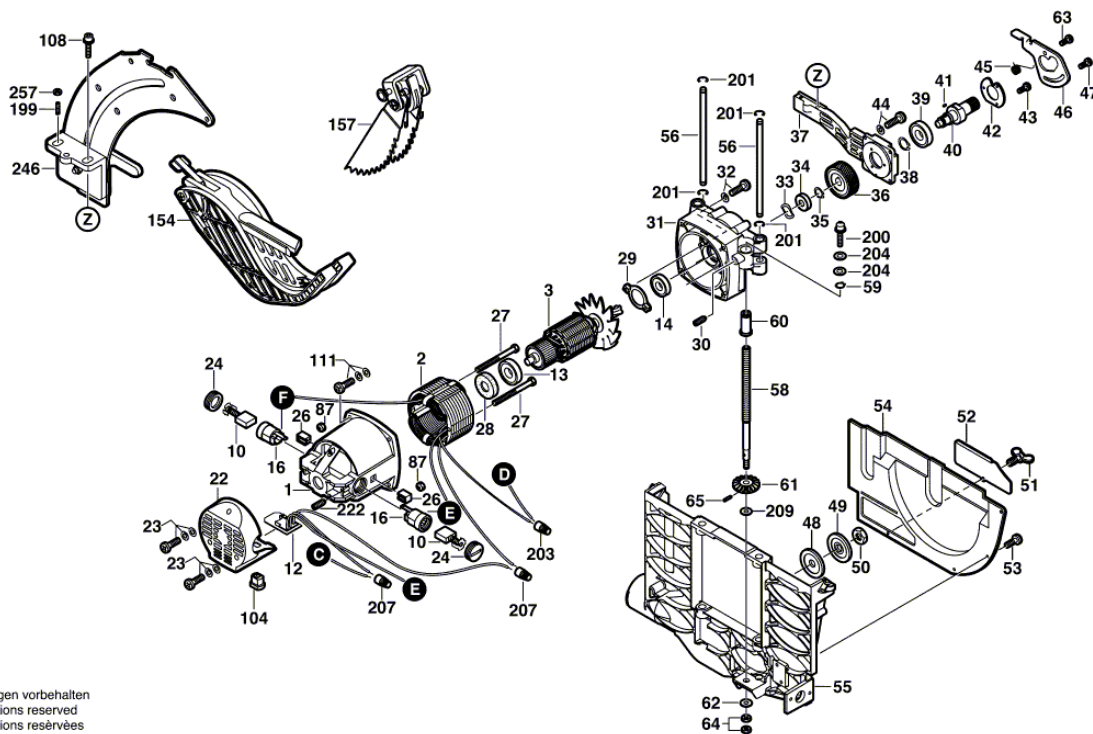
99	2	2 610 997 246	NUT	11	3
100	1	2 610 996 880	KEY	17	3
101	1	2 610 997 247	WING NUT		3
102	1	2 610 950 068	CLAMP		3
103	2	2 610 998 574	SCREW	10	3
104	3	2 610 998 567	CLAMP BUSHING		2
105	1	2 610 998 568	CONNECTING CABLE	19	3
106	4	2 610 997 297	SCREW	10	3
107	4	2 610 910 013	WASHER	12	1
108	6	2 610 950 069	SCREW		1
109	2	2 610 950 070	BUSHING		1
110	12	2 610 950 071	SCREW		1
111	4	2 610 998 587	SCREW	10	2
112	4	2 610 996 921	HOLDING BRACKET	11	1
113	2	2 610 996 913	PIN	16	1
114	2	2 610 996 917	PLATE	11	1
116	2	2 610 997 275	PIN	10	1
117	2	2 610 997 274	PIN	10	1
118	1	2 610 996 918	SET SCREW	12	1
119	1	2 610 996 920	CONNECTING NUT	18	1
120	1	2 610 996 919	ROD	21	1
121	1	2 610 994 262	NUT	12	1
122	1	2 610 996 915	CLAMPING PIECE	23	1
124	1	2 610 950 073	HANDLE		1
125	1	2 610 997 217	STOP	12	1
126	1	2 610 950 074	TABLE		1
127	2	2 610 950 075	MOUNTING RAIL		1
128	2	2 610 996 912	FIXING PLATE	18	1
129	2	2 610 950 076	MOUNTING RAIL		1
131	10	2 610 951 945	SCREW		1
132	1	2 610 950 077	SCREW		1
133	1	2 610 950 078	POINTER		1
134	1	2 610 950 079	PROFILE RAIL		1
135	1	2 610 951 941	CAP		1
138	1	2 610 950 080	WASHER		1
139	1	2 610 950 082	CAP		1
140	1	2 610 950 083	PLATE		1
141	1	2 610 997 218	COVER	10	1
142	1	2 610 950 084	PROFILE RAIL		1
143	1	2 610 997 216	COVER	10	1
144	1	2 610 950 085	TABLE		1
145	2	2 610 950 086	TABLE PLATE		1
146	4	2 610 950 087	SCREW		1
147	4	2 610 304 772	NUT	11	1
149	1	2 610 950 088	LABEL		1
150	1	2 610 950 089	SCREW		1
151	1	2 610 950 090	INSERT		1
152	4	2 610 950 091	SET SCREW		1
153	1	2 610 996 911	HOLDING SPRING	11	1
154	1	2 610 950 092	PROTECTIVE COVER		2
157	1	2 610 950 093	SAFETY DEVICE		2
169	1	2 610 950 094	CAP		1
170	1	2 610 950 095	HANDLE		1
171	1	2 610 950 096	PIN		1
172	2	2 610 950 097	PIN		1
173	1	2 610 996 890	LEVER	10	1
174	1	2 610 996 889	CAM	24	1
175	1	2 610 997 289	PIN	10	1
176	1	2 610 950 098	CLAMPING PLATE		1
177	2	2 610 997 288	PIN	18	1
178	1	2 610 950 099	HOUSING		1
179	2	2 610 997 249	SHOULDER SCREW	10	1
180	1	2 610 950 100	CLAMPING PLATE		1

181	1	2 610 997 810	WARNING PLATE		1
182	2	2 610 950 101	PAD		1
183	1	2 610 950 102	BRACKET		1
184	1	2 610 950 103	SCREW		1
185	1	2 610 950 104	ROD		1
186	1	2 610 950 105	PIN		1
187	1	2 610 996 888	SPRING	11	1
188	1	2 610 950 106	MITRE FENCE		1
189	4	2 610 358 802	WASHER	11	1
190	1	2 610 950 107	HOUSING		1
191	1	2 610 996 886	LOCKING LEVER	11	1
192	1	2 610 997 292	PIN	11	1
193	1	2 610 996 885	CLAMPING PLATE	17	1
194	1	2 610 997 240	CLAMPING PIECE	12	1
195	2	2 610 997 293	SCREW	10	1
196	1	2 610 997 245	ADJUSTING SCREW	13	1
197	1	2 610 911 920	RUBBER BUSHING	10	3
198	1	2 610 998 551	HEXAGON SOCKET SCREW KEY	13	3
199	1	2 610 998 580	SCREW	10	2
200	5	2 610 950 108	SCREW		1
201	4	2 610 992 380	SPRING RETAINING RING	10	2
202	1	2 610 997 817	STICKER	15	1
203	1	2 610 358 932	CONNECTOR	11	2
204	2	2 610 950 109	WASHER		2
205	2	2 610 950 110	SCREW		3
206	8	2 610 950 111	SCREW		1
207	2	2 610 911 933	CABLE CLIP	10	2
208	1	2 610 998 593	SPRING	10	1
209	1	2 610 912 588	PLAIN WASHER	10	2
210	1	2 610 950 112	SLIDE		3
211	1	2 610 950 113	KNOB		3
212	3	2 610 950 114	WASHER		3
213	1	2 610 950 115	SPRING		3
214	1	2 610 950 116	LINKAGE		1
215	2	2 610 937 291	MOUNTING BRACKET	14	1
216	1	2 610 937 292	GUIDE PIN	11	1
217	4	2 610 937 293	RETAINING RING	10	1
218	4	2 610 950 117	SCREW		3
219	1	2 610 950 389	WASHER		3
220	4	2 610 950 118	SCREW		3
221	1	2 610 950 119	SCREW		1
222	2	2 610 950 120	SET SCREW		2
223	1	2 610 950 121	PLATE		1
224	1	2 610 950 122	SCREW		1
225	1	2 610 950 123	SCREW		1
226	2	2 610 950 124	SCREW		1
227	4	2 610 950 125	SCREW		1
228	1	2 610 950 126	MOUNTING BRACKET		1
229	1	2 610 950 127	MOUNTING BRACKET		1
230	1	2 610 950 128	PLATE		3
231	2	2 610 945 488	SCREW		3
232	1	2 610 950 129	WASHER		3
233	1	2 610 950 130	HOUSING		3
234	13	2 610 950 131	SCREW		3
235	1	2 610 950 081	DIGITAL DISPLAY		1
236	2	2 610 950 132	SCREW		3
237	2	2 610 950 133	SCREW		1
238	1	2 610 950 134	SCREW		1
239	2	2 610 950 135	WASHER		1
240	1	2 610 950 136	MOUNTING BRACKET		1
241	1	2 610 950 137	MOUNTING BRACKET		1
242	2	2 610 950 138	RUBBER BUSHING		1
243	4	2 610 950 139	SCREW		1

244	1	2 610 950 140	CAM		1
245	1	2 610 950 141	CLAMP		3
246	1	2 610 950 142	RIVING KNIFE		2
247	1	2 610 950 143	LENS		1
248	1	2 610 950 144	PLATE		1
249	1	2 610 950 145	PLATE		1
250	1	2 610 950 146	WASHER		1
251	1	2 610 950 147	SCREW		1
252	2	2 610 951 942	SCREW		1
253	1	2 610 951 943	COVER		1
254	1	2 610 951 944	MOUNTING BRACKET		1
255	1	2 610 951 946	SCREW		1
256	1	2 610 951 947	SCREW		1
257	1	2 610 911 896	NUT	10	2
258	1	2 610 950 148	MITRE FENCE		1
259	1	2 610 950 149	MITER SQUARE		1

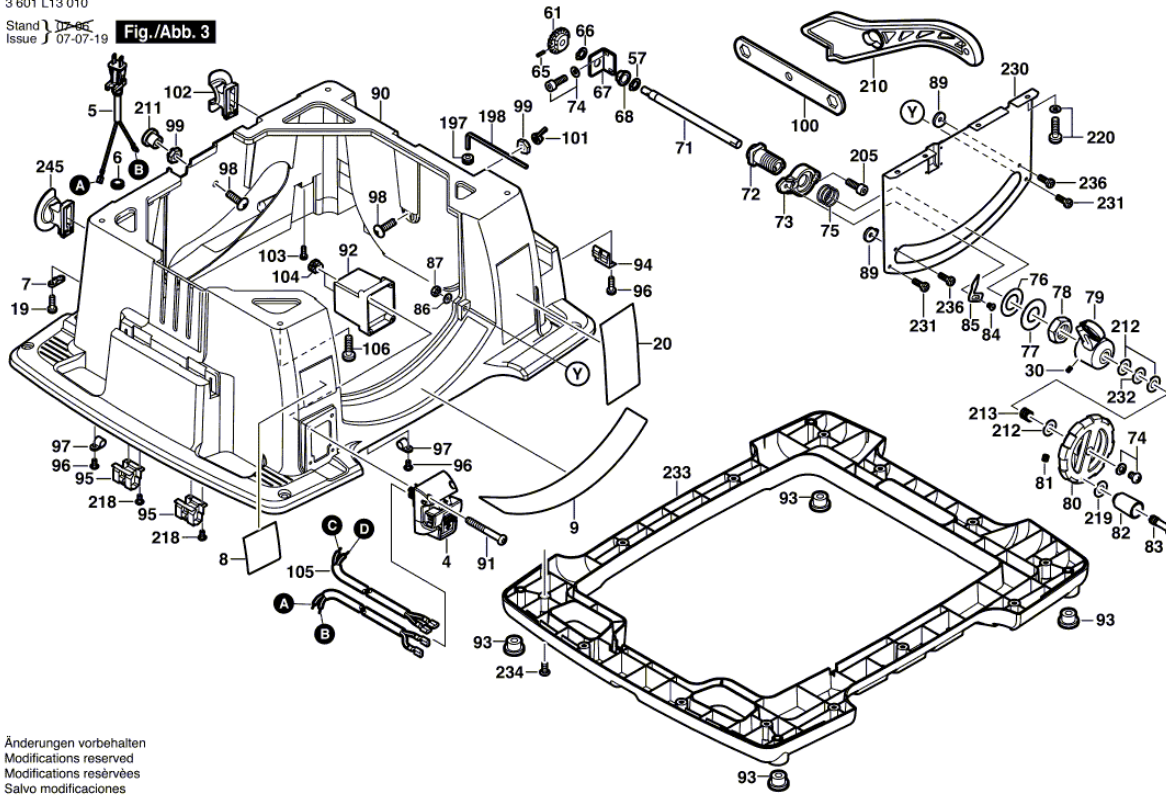
3 601 L13 010

Stand } 07-06-18 Fig./Abb. 2
Issue }



Änderungen vorbehalten
Modifications reserved
Modificacions reservadas
Salvo modificaciones

Fig./Abb. 3



Änderungen vorbehalten
Modifications reserved
Modifications réservées
Salvo modificaciones