



Register your
appliance and join
the Bosch
family of perks:
[bosch-home.com/us/
mybosch](https://bosch-home.com/us/mybosch)



Free-standing range

HIS8655U **HIS8655C**

[en-us] Use and Care Manual
[fr-ca] Manuel d'utilisation

Free-standing range
Cuisinière amovible

2
43

Table of contents

1 IMPORTANT SAFETY INSTRUCTIONS.....	3	9 Cleaning and maintenance.....	27
1.1 Safety definitions.....	3	9.1 Cleaning and maintenance - cooktop	27
1.2 General information.....	3	9.2 Cleaning and maintenance - oven.....	28
1.3 Intended use	3	10 Cooking charts	33
1.4 Restriction on user group	3	10.1 Baked goods/entrees	33
1.5 Proper installation and maintenance	3	10.2 Meats	35
1.6 Safe use.....	4	11 Troubleshooting.....	39
1.7 Child safety	8	12 Disposal	40
1.8 Electromagnetic interference.....	8	12.1 Disposal of your old appliance.....	40
1.9 State of California Proposition 65 Warnings	8	13 Customer Service.....	40
2 Preventing material damage	9	13.1 Model number (E-Nr.) and production number (FD).....	40
2.1 Preventing oven cavity damage	9	13.2 Rating plate location.....	40
2.2 Preventing cooktop damage.....	9	14 STATEMENT OF LIMITED PRODUCT WARRANTY	41
3 Environmental protection and energy-saving	10	14.1 What this warranty covers & Who it applies to.....	41
3.1 Disposal of packaging	10	14.2 How long the warranty lasts	41
3.2 Saving energy when using the oven.....	10	14.3 Repair/replace as your exclusive remedy	41
3.3 Saving energy when using the cooktop.....	10	14.4 Out of warranty product.....	42
4 Familiarizing yourself with your appliance	11	14.5 Warranty exclusions	42
4.1 Appliance	11	14.6 Obtaining warranty service	42
4.2 Control panels.....	13	14.7 Product information	42
5 Accessories.....	15		
5.1 Other accessories	15		
5.2 Fitting the telescopic rail set.....	15		
5.3 Inserting racks.....	15		
6 Before using for the first time	17		
6.1 Setting the time	17		
6.2 Cleaning the appliance before using it for the first time.....	17		
6.3 Cleaning the accessories	17		
7 Cooktop operation	18		
7.1 Setting the power level.....	18		
7.2 Turning the cooking zone off.....	18		
7.3 Residual heat indicator.....	18		
7.4 CombiZone	18		
7.5 Warming zone.....	19		
7.6 SpeedBoost®	19		
7.7 Panel lock	19		
7.8 Automatic time limitation	20		
7.9 Power management.....	20		
7.10 Induction cooking	20		
8 Oven operation.....	21		
8.1 Switching on the oven	21		
8.2 Time-setting options.....	21		
8.3 Core temperature meat probe	22		
8.4 Sabbath mode.....	23		
8.5 Panel lock	23		
8.6 Getting the most out of your oven	23		
8.7 Basic Settings - Oven.....	25		



IMPORTANT SAFETY INSTRUCTIONS

READ AND SAVE THESE INSTRUCTIONS

Read all instructions carefully before use. These precautions will reduce the risk of electrical shock, fire and injury to persons. When using kitchen appliances, basic safety precautions must be followed including those in the following pages.

1.1 Safety definitions

Here you can find explanations of the safety signal words used in this manual.

WARNING

This indicates that death or serious injuries may occur as a result of non-observance of this warning.

CAUTION

This indicates that minor or moderate injuries may occur as a result of non-observance of this warning.

NOTICE:

This indicates that damage to the appliance or property may occur as a result of non-compliance with this advisory.

Note: This alerts you to important information and/or tips.

1.2 General information

Here you can find general information about this manual.

- Please read this manual carefully.
- Observe the safety instructions and warnings.
- Keep the manual and the product information in a safe place for future reference or for the next owner.
- Check the appliance for damage after unpacking it. Do not connect the appliance if it has been damaged in transit.

1.3 Intended use

Only a qualified electrician may connect appliances without plugs. The manufacturer is not responsible for damage caused by incorrect connections. Please see the Statement of Limited Product Warranty → *Page 41*.

Only use this appliance:

- To prepare meals and drinks.
- Under supervision. Never leave the appliance unattended when cooking for short periods.
- In private households and in enclosed spaces in a residential environment.

Do not use the appliance:

- On boats or in vehicles.

- as a room heater.
- This appliance is not intended for operation with an external time switch or external remote control.

1.4 Restriction on user group

This appliance is not intended for use by persons (including children) with reduced physical, sensory or mental capabilities, or lack of experience and knowledge, unless they have been given supervision or instruction concerning use of the appliance by a person responsible for their safety.

When children become old enough to use the appliance, it is the responsibility of the parents or legal guardians to ensure that they are instructed in safe practices by qualified persons.

Children should be supervised to ensure that they do not play with the appliance.

Do not let children play with the appliance.

1.5 Proper installation and maintenance

WARNING

TIP OVER HAZARD! A child or adult can tip the range over and be killed.



- ▶ Install the anti-tip device to the structure and/or the range.
- ▶ Verify the anti-tip device has been properly installed and engaged.
- ▶ Engage the range to the anti-tip device. Ensure the anti-tip device is re-engaged when the range is moved.
- ▶ Re-engage the anti-tip device if the range is moved. Do not operate the range without the anti-tip device in place and engaged.
- ▶ See installation instructions for details.
- ▶ Failure to follow the instructions in this manual can result in death or serious burns to children and adults.
- ▶ Check for proper installation and use of the anti-tip bracket. Carefully tip the range forward pulling from the back to ensure that the anti-tip bracket engages the range leg and prevents tip-over. The range should not move more than 1" (2.5 cm).



IMPORTANT SAFETY INSTRUCTIONS

READ AND SAVE THESE INSTRUCTIONS

WARNING

In the event of a malfunction, it might become necessary to turn off the power supply.

- ▶ Have the installer show you the circuit breaker or fuse. Mark it for easy reference.

To avoid electrical shock hazard, before servicing the appliance, turn power off at the service panel and lock the panel to prevent the power from being switched on accidentally.

Proper Installation - Improper installation or grounding can cause electric shock.

- ▶ This appliance must be properly installed and grounded by a qualified technician.
- ▶ Connect only to properly grounded outlet.
- ▶ Refer to installation instructions for details.

User Servicing - Do not repair or replace any part of the appliance unless specifically recommended in this manual.

- ▶ All other servicing should be referred to an authorized service provider.

Light socket is live when door is open if main power supply is not turned off.

- ▶ Turn off main power supply at the service panel before changing the light bulbs.

WARNING

Make sure the appliance and lights are cool and power to the appliance has been turned off before replacing the light bulb(s). Failure to do so could result in electrical shock or burns.

- ▶ The lenses must be in place when using the appliance.
- ▶ The lenses serve to protect the light bulb from breaking.
- ▶ The lenses are made of glass. Handle carefully to avoid breaking. Broken glass can cause an injury.

Failure to follow these instructions when removing the oven door may lead to personal injury or product damage.

- ▶ Make sure oven is cool and power to the oven has been turned off before removing the door. Failure to do so could result in electrical shock or burns.
- ▶ The oven door is heavy and parts of it are fragile. Use both hands to remove the oven door.
- ▶ The door front is glass. Handle it carefully to avoid breakage.
- ▶ Grasp only the side of the oven door. Do not grasp the handle. It may swing in your hand and cause damage or injury. Failure to grasp the oven door firmly and properly could result in personal injury or product damage.

- ▶ To avoid injury from hinge bracket snapping closed, be sure both levers are securely in place before removing the door.
- ▶ Do not force the door open or closed. The hinge could be damaged and cause damage or injury.
- ▶ Do not lay the removed door on sharp or pointed objects as this could break the glass. Lay it on a flat, smooth surface, positioned so that the door cannot fall over.

WARNING

If the supply cord is damaged, it must be replaced by the manufacturer, its authorized service provider or similar qualified persons in order to avoid hazard.

WARNING

Grease and fat can ignite when heated.

- ▶ Keep the oven free from grease build up.

CAUTION

In the event of an error the display flashes and beeps continuously.

- ▶ Disconnect appliance from the power supply and call an authorized service provider.

WARNING

Malfunctions can cause injuries.

- ▶ Do not operate this appliance if it is not working properly, or if it has been damaged. Contact an authorized service provider.

1.6 Safe use

WARNING

When properly cared for, your new appliance has been designed to be safe and reliable.

- ▶ Read all instructions carefully before use. These precautions will reduce the risk of burns, electric shock, fire, and injury to persons.
- ▶ When using kitchen appliances, basic safety precautions must be followed, including those in the following pages.

WARNING

Overheated materials can cause fire or burns.

- ▶ Do not allow aluminum foil, plastic, paper or cloth to come in contact with a hot surface element, heating element or grate.
- ▶ Do not allow pans to boil dry.



IMPORTANT SAFETY INSTRUCTIONS

READ AND SAVE THESE INSTRUCTIONS

Unattended cooking on a cooktop with fat or oil can be dangerous and may result in a fire.

- ▶ Do not leave the cooktop unattended when in use. If materials inside an oven or warming drawer should ignite, keep door closed.
- ▶ Turn off the appliance and disconnect the circuit at the circuit breaker box.

A fire could occur during cooking.

- ▶ Always have a working smoke detector near the kitchen.
- ▶ Have an appropriate fire extinguisher available, nearby, highly visible and easily accessible near the appliance.

NEVER cover any slots, holes or passages in the oven bottom or cover an entire rack with materials such as aluminum foil.

- ▶ Doing so blocks air flow through the oven.
- ▶ Aluminum foil linings may also trap heat, causing a fire hazard.

If the cooktop is near a window, forced air vent or fan, be certain that flammable materials such as window coverings do not blow over or near the burners or heating elements. They could catch on fire.

Cooking fires can spread if extinguished incorrectly.

- ▶ Never use water on cooking fires.

WARNING - TO REDUCE THE RISK OF A RANGE TOP GREASE FIRE

- ▶ Never Leave Surface Units Unattended at High Settings - Boilovers cause smoking and greasy spillovers that may ignite. Heat oils slowly on low or medium settings.
- ▶ Always turn hood ON when cooking at high heat or when flambeing food (i.e. Crepes Suzette, Cherries Jubilee, Peppercorn Beef Flambe').
- ▶ Clean ventilating fans frequently. Grease should not be allowed to accumulate on fan or filter.
- ▶ Use proper pan size. Always use cookware appropriate for the size of the surface element.

Flames can be drawn into the ventilation system.

- ▶ Whenever possible, do not operate the ventilation system during a cooktop fire. However, do not reach through fire to turn it off.

Cookware Handles Should be Turned Inward and Not Extend Over Adjacent Surface Units.

- ▶ To reduce the risk of burns, ignition of flammable materials, and spillage due to unintentional contact with the cookware, the handle of a cookware should be positioned so that it is turned inward, and does not extend over adjacent surface units.

Wear Proper Apparel. Loose-fitting or hanging garments, such as ties, scarves, jewelry, or dangling sleeves, should never be worn while using the appliance.

- ▶ Tie long hair so that it does not hang loose.
 - ▶ Secure all loose garments, etc. before beginning.
- Use Proper Pan Size - This appliance is equipped with one or more surface units of different sizes.
- ▶ Select cookware having flat bottoms large enough to cover the surface unit cooking zone.
 - ▶ The use of undersized cookware will expose a portion of the cooking zone to direct contact and may result in ignition of clothing. Proper relationship of cookware to cooking zone will also improve efficiency.

Boilovers can cause smoke and some foods and oils may catch fire if left on high temperature settings.

- ▶ When using a timer, always supervise the cooktop.
- ▶ Do not allow anything to boil over or burn.

If the cooktop turns off automatically and can no longer be operated, it may turn itself on unintentionally at a later point.

- ▶ Switch off the circuit breaker or fuse in the electrical panel.
- ▶ Contact Customer Service for support.

CAUTION

The cooking process has to be supervised. A short term cooking process has to be supervised continuously.

WARNING

If the display does not work when a cooking area is heating up disconnect the circuit breaker or fuse in the electrical panel.

- ▶ Contact an authorized service provider.

To avoid risk of fire do not store items on the cooking surfaces.

In the event that personal clothing or hair catches fire, drop and roll immediately to extinguish flames.

Do Not Use Water on Grease Fires.

- ▶ Smother fire or flame or use dry chemical or foam-type extinguisher.

CAUTION

The oven vents are important for air circulation. Covering the oven vents will cause the oven to overheat. Refer to the appliance overview for the location of the oven vents.

→ *Page 11*

- ▶ Do not obstruct the front oven vent or rear vent trim.



IMPORTANT SAFETY INSTRUCTIONS

READ AND SAVE THESE INSTRUCTIONS

WARNING

Use Only Dry Potholders - Moist or damp potholders on hot surfaces may result in burns from steam.

- ▶ Do not let potholders touch hot heating elements.
- ▶ Do not use a towel or other bulky cloth.

Hot oil is capable of causing extreme burns and injury.

- ▶ Use high heat settings on the cooktop only when necessary.
- ▶ To avoid bubbling and splattering, heat oil slowly on no more than a low-medium setting.
- ▶ Never move a pan of hot oil, especially a deep fat fryer. Wait until it is cool.

Spills of hot food may cause burns.

- ▶ Hold the handle of the pan when stirring or turning food. This helps prevent spills and movement of the pan.

DO NOT TOUCH SURFACE UNITS OR AREAS NEAR UNITS. Surface units may be hot even though they are dark in color. Areas near surface units may become hot enough to cause burns.

- ▶ During and after use, do not touch, or let clothing, potholders, or other flammable materials contact surface units or areas near units until they have had sufficient time to cool. Among these areas are the cooktop and areas facing the cooktop.

WARNING - Do not place metallic objects such as knives, forks, spoons, and lids on the cooktop surface since they can get hot.

DO NOT TOUCH HEATING ELEMENTS OR INTERIOR SURFACES OF OVEN - Heating elements may be hot even though they are dark in color. Interior surfaces of an oven become hot enough to cause burns.

- ▶ During and after use, do not touch, or let clothing, potholders, or other flammable materials contact heating elements or interior surfaces of oven until they have had sufficient time to cool. Other surfaces of the appliance may become hot enough to cause burns. Among these surfaces are oven vent openings, surfaces near these openings and oven doors.

Exercise caution when opening the appliance.

- ▶ Standing to the side, open the door (or drawer) slowly and slightly to let hot air and/or steam escape.
- ▶ Keep your face clear of the opening and make sure there are no children or pets near the unit.
- ▶ After the release of hot air and/or steam, proceed with your cooking.
- ▶ Keep doors shut unless necessary for cooking or cleaning purposes.
- ▶ Do not leave open doors unattended.

Clean Cooktop With Caution.

- ▶ If a wet sponge or cloth is used to wipe spills on a hot cooking area, be careful to avoid steam burn.
 - ▶ Some cleaners can produce noxious fumes if applied to a hot surface.
 - ▶ Do not clean the appliance while it is still hot.
- WARNING - The pan detection shut-off feature may not turn off the cooking zone due to spilled food or objects placed on the cooktop.
- ▶ Keep the cooktop clean and do not store objects on the cooking zones.

CAUTION

Use caution when cooking foods with high alcohol content (e.g. rum, brandy, bourbon) in the oven. Alcohol evaporates at high temperatures. There is a risk of burning as the alcohol vapors may catch fire in the oven.

- ▶ Use only small quantities of alcohol in foods, and open the oven door carefully.

The oven racks and the oven cavity surfaces become very hot during cooking.

- ▶ Place oven racks in the desired positions before turning oven on.
- ▶ Always use oven mitts when the oven is warm.
- ▶ If a rack must be moved while the oven is hot, do not let oven mitts contact hot heating elements.
- ▶ Use caution when removing oven racks from the lowest rack position to avoid contact with the hot oven door.

WARNING

Avoid reaching or leaning over the appliance.

- ▶ Be aware that certain clothing and hair sprays may contain flammable chemicals that could be ignited if brought in to contact with hot surface units or heating elements and may cause severe burns.

The oven interior and the meat probe become very hot.

- ▶ Use oven mitts to plug and unplug the meat probe.

WARNING

Storage in or on Appliance - The use of corrosive chemicals in heating or cleaning will damage the appliance and could result in injury.

- ▶ Flammable materials, corrosive chemicals, vapors or non-food products should not be stored or used in an oven or on or near surface units.
- ▶ The appliance is specifically designed for use when heating or cooking food.



IMPORTANT SAFETY INSTRUCTIONS

READ AND SAVE THESE INSTRUCTIONS

This appliance is intended for normal family household use only.

- ▶ It is not approved for outdoor use.
- ▶ See the Statement of Limited Product Warranty. If you have any questions, contact the manufacturer.

WARNING - Using this appliance other than for its intended use can cause fire or injury to persons.

- ▶ Use this appliance only for its intended use as described in this manual.
- ▶ NEVER use your appliances as a space heater for warming or heating the room. Doing so may result in overheating the appliance.
- ▶ Never use the appliance for storage.

WARNING - TO REDUCE THE RISK OF INJURY TO PERSONS IN THE EVENT OF A RANGE TOP GREASE FIRE, OBSERVE THE FOLLOWING.

- ▶ SMOTHER FLAMES with a close-fitting lid, cookie sheet, or metal tray, then turn off the burner. BE CAREFUL TO PREVENT BURNS. If the flames do not go out immediately, EVACUATE AND CALL THE FIRE DEPARTMENT.
- ▶ NEVER PICK UP A FLAMING PAN – You may be burned.
- ▶ DO NOT USE WATER, including wet dishcloths or towels – a violent steam explosion will result.
- ▶ Use an extinguisher ONLY if:
 - You know you have a Class ABC extinguisher, and you already know how to operate it.
 - The fire is small and contained in the area where it started.
 - The fire department is being called.
 - You can fight the fire with your back to an exit.

Do not heat or warm unopened food containers. Build-up of pressure may cause the container to burst and cause injury.

Liquid between the pot base and the cooktop may build up steam pressure. This may cause the pot to jump suddenly causing injury.

- ▶ Always keep the cooktop and bases of pots dry. When cooking with a double-boiler, the cooktop and cooking vessel may crack due to overheating.
- ▶ The cooking vessel in the double-boiler must not come in direct contact with the bottom of the pot filled with water.
- ▶ Use only heat-resistant cookware.

Failure to operate knobs properly may result in personal injury and damage to the appliance.

Cooking or roasting bags might explode.

- ▶ Follow the manufacturer's directions when using cooking or roasting bags.

CAUTION

To avoid possible injury or damage to the appliance, ensure oven rack is installed exactly per installation instructions and not backwards or upside down.

Do not place anything on the oven cavity bottom. Do not cover it with aluminum foil. A build-up of heat could damage the appliance or cause injury.

WARNING

Moisture intrusion may cause an electric shock.

- ▶ Do not use any steam cleaners or high-pressure cleaners to clean the appliance.

If the appliance or the power cord is damaged, this is dangerous.

- ▶ Never operate a damaged appliance.
- ▶ If the surface is cracked, you must switch off the appliance in order to prevent a possible electrical shock. To do this, switch off the appliance via the circuit breaker in the circuit breaker panel rather than at the main switch.
- ▶ If the appliance or the power cord is damaged, immediately switch off the breaker in the circuit breaker box.
- ▶ Call Customer Service. → *Page 40*
- ▶ Repairs to the appliance must only be performed by an authorized service provider.

WARNING - If the surface is cracked, switch off the appliance to avoid the possibility of electric shock.

Do Not Cook on a Broken Cooktop - If the cooktop should break, cleaning solutions and splatters may penetrate the broken cooktop and create a risk of electric shock.

- ▶ Contact an authorized service provider immediately.

WARNING

Scratched glass in the appliance door may develop into a crack.

- ▶ Do not use any harsh or abrasive cleaners or sharp metal scrapers to clean the glass on the oven door, as they may scratch the surface.

Use of a wrong meat probe can damage the insulation. Use only the meat probe intended for this appliance.



IMPORTANT SAFETY INSTRUCTIONS

READ AND SAVE THESE INSTRUCTIONS

1.7 Child safety

WARNING

Do not allow children to use this appliance unless closely supervised by an adult.

- ▶ Children and pets should not be left alone or unattended in the area where the appliance is in use. They should never be allowed to play in its vicinity, whether or not the appliance is in use.

Do not allow anyone to climb, stand, lean, sit, or hang on any part of an appliance, especially a door, warming drawer, or storage drawer.

- ▶ This can damage the appliance, and the unit may tip over, potentially causing severe injury.

Do not let children play with the appliance.

CAUTION

Do not store items of interest to children in cabinets above a range or on the backguard of a range. Children climbing on the range to reach items could be seriously injured. Do Not Leave Children Alone.

- ▶ Children should not be left alone or unattended in the area where the appliance is in use.
- ▶ They should never be allowed to sit or stand on any part of the appliance.
- ▶ Always check inside the oven before turning it on.

WARNING

To avoid the risk of suffocation:

- ▶ Do not allow children to play with packaging material.

1.8 Electromagnetic interference

WARNING

This induction cooktop generates and uses ISM frequency energy that heats cookware by using an electromagnetic field. It has been tested and complies with Part 18 of the FCC Rules for ISM equipment. This induction cooktop meets the FCC requirements to minimize interference with other devices in residential installation. Induction cooktops may cause interference with television or radio reception. If interference occurs, the user should try to correct the interference by

- ▶ Relocating the receiving antenna of the radio or television.
- ▶ Increasing the distance between the cooktop and the receiver.
- ▶ Connecting the receiver into an outlet different than the cooktop.

- ▶ It is the user's responsibility to correct any interference.

CAUTION

Persons with a pacemaker or similar medical device should exercise caution when standing near an induction cooktop while it is in use.

- ▶ Consult your doctor or the manufacturer of the pacemaker or similar medical device for additional information about its effects with electromagnetic fields from an induction cooktop.

1.9 State of California Proposition 65 Warnings

This product may contain a chemical known to the State of California, which can cause cancer or reproductive harm. Therefore, the packaging of your product may bear the following label as required by California:

STATE OF CALIFORNIA PROPOSITION 65 WARNING:

 **WARNING**

Cancer and Reproductive Harm - www.P65Warnings.ca.gov

2 Preventing material damage

2.1 Preventing oven cavity damage

NOTICE:

The presence of objects on the oven cavity bottom will cause heat to build up. The baking and roasting times will no longer be correct and the enamel will be damaged.

- ▶ Do not cover the oven cavity bottom with any sort of foil or greaseproof paper.
- ▶ Do not place accessories on the oven cavity bottom. Do not allow aluminum foil in the oven cavity to come into contact with the door glass, it could cause permanent discoloration.

When the oven cavity is hot, any water inside it will create steam. The change in temperature may cause damage.

- ▶ Never pour water into the oven cavity when it is still hot.
- ▶ Never place cookware containing water on the oven cavity bottom.

The prolonged presence of moisture in the oven cavity leads to corrosion.

- ▶ Allow the oven cavity to dry after use.
- ▶ Do not keep moist food in the oven cavity for a long time with the door closed.
- ▶ Do not store food in the oven cavity.

Leaving the appliance to cool down with the door open will damage the front of neighboring kitchen units over time.

- ▶ Always allow the oven cavity to cool down with the door closed after cooking at high temperatures. Only leave the oven cavity to dry with the door open if a lot of moisture was produced during operation.
- ▶ Take care not to trap anything in the appliance door.

Fruit juice dripping from the baking tray leaves stains that cannot be removed.

- ▶ When baking very juicy fruit pies, do not pack too much on the baking tray.

If the seal is very dirty, the appliance door will not close properly when the appliance is in operation. This may damage the front of adjacent kitchen units.

- ▶ Keep the seal clean at all times.
- ▶ Never operate the appliance if the seal is damaged or missing.

Sitting or placing objects on the appliance door may damage it.

- ▶ Do not place or hang objects on the appliance door.
- ▶ Do not place cookware or accessories on the appliance door.

With certain models, accessories may scratch the door glass when closing the appliance door.

- ▶ Always push accessories fully into the oven cavity.

Carrying the appliance by the door handle could break it. The door handle cannot support the weight of the appliance.

- ▶ Do not carry or hold the appliance by the door handle.

2.2 Preventing cooktop damage

NOTICE:

Overheating can damage the cookware.

- ▶ Do not heat empty pots or pans.

Hot cookware can cause the electronics to overheat.

- ▶ Never set down hot pans and pots on the control panel or the cooktop frame.

When hard or sharp objects fall on the cooktop, they can cause damage.

- ▶ Do not let hard or pointed objects fall on the cooktop.

Aluminum foil and plastic melt on hot cooking zones.

- ▶ Do not let aluminum foil or plastic come into contact with hot cooking zones.
- ▶ Do not use cooktop protective film.

Overview of the most common types of damage

Here you can find an overview of the most common types of damage and suggestions how to avoid them.

Stains

Cause	Remedy
Boiled-over food	Remove boiled-over food immediately with a glass scraper.
Unsuitable cleaning agents	Use cleaning agents that are suitable for glass ceramic cooktops.

Scratches

Cause	Remedy
Salt, sugar and sand	Do not use the cooktop as a work surface or storage space.
Cookware with rough bases	Check the cookware.

Discolorations

Cause	Remedy
Unsuitable cleaning agents	Use cleaning agents that are suitable for glass ceramic cooktops.
Pot abrasion (e.g. aluminum)	Lift pots and pans when moving them.

Blisters

Cause	Remedy
Sugar, food with a high sugar content	Remove boiled-over food immediately with a glass scraper.

3 Environmental protection and energy-saving

3.1 Disposal of packaging

The packaging materials are environmentally compatible and can be recycled.

- ▶ Sort the individual components by type and dispose of them separately.

3.2 Saving energy when using the oven

If you follow these tips, your appliance consumes less energy.

Only preheat the appliance if the recipe or the recommended settings tell you to do so.

- ✓ Not preheating the appliance can reduce the energy used.

Use dark-colored, black-coated or enameled baking pans.

- ✓ These types of baking pans absorb the heat particularly well.

Open the appliance door as little as possible during operation.

- ✓ This will maintain the temperature in the oven cavity and eliminate the need for the appliance to reheat.

When baking multiple dishes, do so in succession or in parallel.

- ✓ The oven cavity is heated after baking the first dish. This reduces the baking time for the second dish.

If the cooking time is relatively long, you can switch the appliance off 10 minutes before the cooking time ends.

- ✓ There will be enough residual heat to finish cooking the dish.

Remove any accessories that are not being used from the oven cavity.

- ✓ Accessories that are not being used do not need to be heated.

Allow frozen food to defrost before cooking.

- ✓ This will save the energy that would otherwise be required to defrost it.

3.3 Saving energy when using the cooktop

If you follow these tips, your appliance consumes less energy.

Select a cookware diameter that matches the cooking zone. Center the cookware on the cooking zone.

Tip: Cookware manufacturers usually state the top diameter of the cookware. The diameter of the cookware base is usually smaller.

- ✓ The energy is targeted at the cookware.
If you use cookware that is too small, energy is wasted.
If the cookware is too large, much energy is used to heat up the cookware.

Close cookware with a fitting lid.

- ✓ Cooking without a lid consumes more energy.

Only lift the lid when necessary.

- ✓ If you lift the lid, a lot of energy can escape.

Use a glass lid.

- ✓ If you use a glass lid, you can look inside the cookware without lifting the lid.

Use cookware with a solid flat bottom.

- ✓ Curved cookware bases increase energy consumption.

Use a cookware size that matches the amount of food you want to cook.

- ✓ Cookware with little content consumes a lot of energy.

Cook with a small amount of water.

- ✓ More water requires more energy to heat it up.

Select a lower power level as soon as possible. Select a suitable power level to continue cooking.

- ✓ For ongoing cooking a lower power level is sufficient.

4 Familiarizing yourself with your appliance

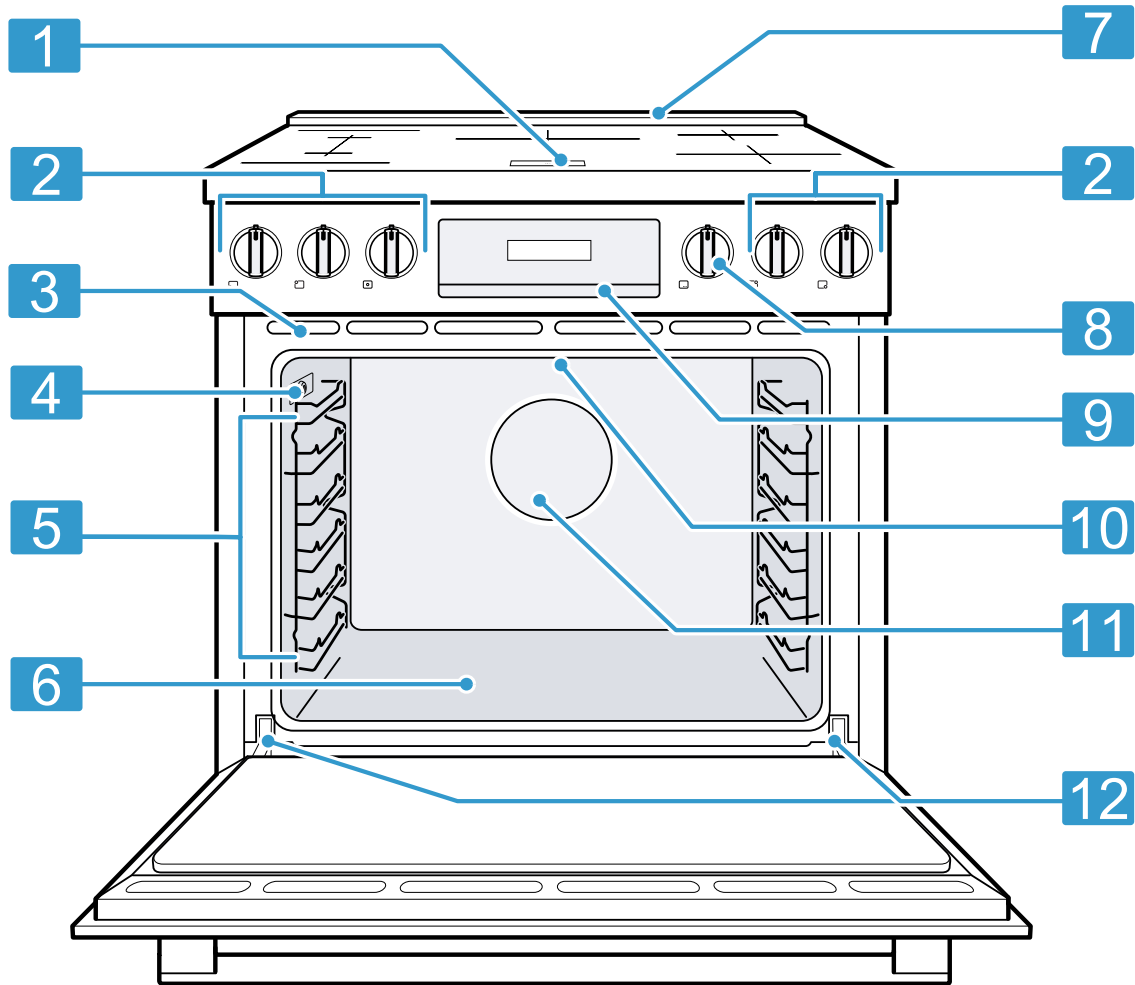
This Use and Care Manual covers several models. Your model may have some but not all of the features listed.

4.1 Appliance

Here you can find an overview of the parts of your appliance.

Notes

- This Use and Care Manual covers several models. Your model may have some but not all of the features listed.
- The graphics are representative. Your appliance may have different graphic appearances.



1 Cooking zone displays

2 Cooktop control knobs

3 Front oven vent

4 Socket for meat probe

5 Oven rails

6 Oven cavity bottom

7 Rear vent trim

8 Oven control knob

9 Oven control panel

10 Broil element

11 Convection fan

12 Door hinges

Oven features

Cooling fan

The cooling fan runs during all cooking modes. The fan can be heard when it is running, and warm air may be felt as it is released from the rear vent trim. The fan may also run after the oven is off.

Oven vent

Warm air may be released from the rear vent trim before, during and after cooking. It is normal to see steam escaping from the rear vent trim, and condensation may collect in this area. This area may be warm when the oven is in use.

⚠ CAUTION

The oven vents are important for air circulation. Covering the oven vents will cause the oven to overheat. Refer to the appliance overview for the location of the oven vents.

→ Page 11

- ▶ Do not obstruct the front oven vent or rear vent trim.


Temperature indicator

The temperature indicator bars show the heating-up phases or residual heat in the oven cavity.

Heating-up indicator	The heating-up indicator displays the rising temperature in the oven cavity. When all bars are filled, the optimal time for placing the food in the oven has been reached. In the broiling and cleaning settings, the bars are all already filled at the start. The bars are not filled for the gentle top/bottom heating type.
----------------------	---------------------------------------------------------------------------------------------------------------------------------------------------------------------------------------------------------------------------------------------------------------------------------------------------------------------------------

Residual heat indicator	When the appliance is switched off, the temperature indicator shows the residual heat in the oven cavity. Once the temperature has dropped to approximately 140 °F (60 °C), the indicator goes out.
-------------------------	-----------------------------------------------------------------------------------------------------------------------------------------------------------------------------------------------------

Oven light

Your appliance is equipped with an oven light. You can turn the oven light on and off by pressing .

Surfaces in the oven cavity

The back wall and side parts in the oven cavity are selfcleaning. You can tell this from the rough surface. The oven cavity floor and ceiling are enameled and have smooth surfaces.

Self-cleaning surfaces

The self-cleaning surfaces are coated with a porous, matte ceramic layer. This coating absorbs and dispels splashes from baking and roasting while the appliance is in operation.

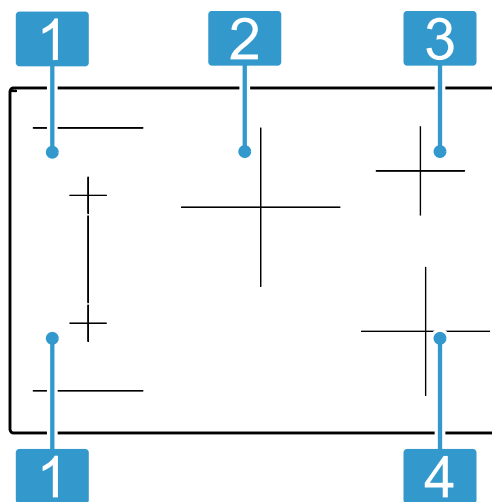
⚠ CAUTION

Do not use oven cleaner on the self-cleaning surfaces. These will damage the surfaces.

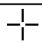
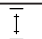
- ▶ If oven cleaner does get onto these surfaces, dab it off immediately using water and a sponge cloth.
- ▶ Do not rub the surface and do not use abrasive cleaning aids.

Cooking zones

Here you can find an overview of the cooking zones available on your cooktop. Place the cookware on the cooking zone that best matches its size. Only use cookware that is suitable for induction cooking.
→ "Induction cooking", Page 20



1	Ø 7" (18 cm)
2	Ø 10 ¼" (26 cm)
3	Ø 5 ¾" (14.5 cm)
4	Ø 8 ¼" (21 cm)

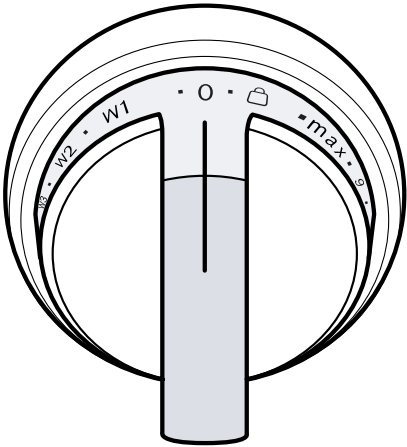
Symbol	Cooking zone	Function
	Single cooking zone	Only one cooking zone size is available.
	Combi zone	Use with larger size cookware by combining the cooking zones.

4.2 Control panels

You can use the control panel to configure all functions of your appliance and to obtain information about the operating status.

Cooktop control panel

The cooktop has one control knob for each cooking zone. Push in and turn to the right to set the desired power level. The markings around the control knobs show the available power levels. If you turn on any cooking zone, the cooking zone display at the front of the cooktop surface lights up.



Note: The image of the control knob is representative. Depending on the available settings, the individual control knobs may have some but not all functions described in the following chart.

Knob position	Function
0	Cooking zone turned off
1 - 9	Power levels
max	SpeedBoost®
combi zone	Combi zone
🔒	Panel lock
W1	Keep warm
W2	Melting
W3	Simmering

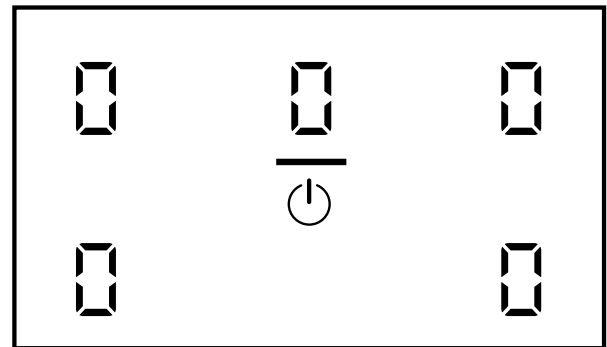
Cooking zone positions

The markings next to each of the control knobs show which cooking zone they control.

	Front left cooking zone
	Front right cooking zone
	Middle cooking zone
	Rear left cooking zone
	Rear right cooking zone

Cooking zone displays

When you turn on a cooking zone, the power level or function is displayed in the cooking zone display.

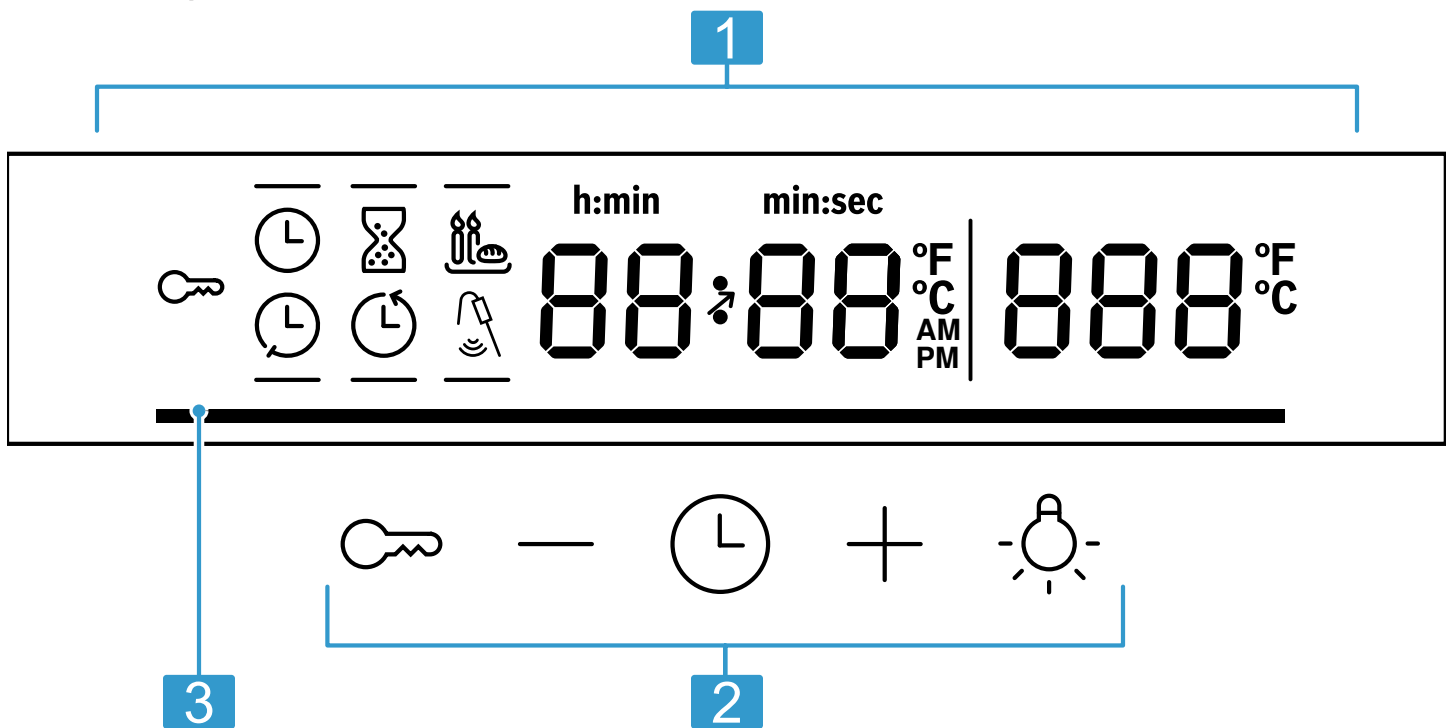


Display	Function
🔌	Cooktop on indicator
1 ... 9	Power level
H/ h	Residual heat
b	SpeedBoost® active
🔒	Panel lock active
-	Keep warm
=	Melting
≡	Simmering
🔌/🔒	Combi zone activation

NOTICE:

Do not place hot cookware on or close to the display. Repeated overheating may impair proper function of the electronics.

Oven control panel



- 1** Display
- 2** Touch keys
- 3** Temperature indicator → *Page 12*

Oven control knob

Set the required heating mode using the control knob for the oven.

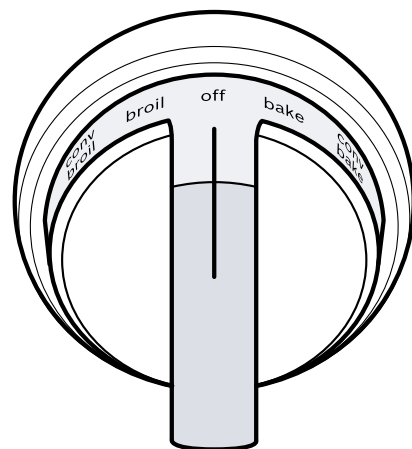
Buttons

Symbol	Meaning
	Panel lock or settings
—	Minus
	Time functions
+	Plus
	Oven light

Note: You only need to press lightly on the touch keys to operate them.

Display

Symbol	Meaning
	Panel lock
	Clock
	Kitchen timer
	End time
	Duration
	Sabbath mode
	Meat probe
h:min	Time in hours and minutes
min:sec	Time in minutes and seconds
AM/PM	Time



Knob position	Function
off	Oven switched off
broil	Switching on Broiling
conv broil	Switching on Convection Broil
conv roast	Switching on Convection Roast
pizza	Switching on Pizza mode
proof	Switching on Proofing
multi rack	Switching on Multi Rack mode
conv bake	Switching on Convection Bake
bake	Switching on Bake

To operate: Turn to the required heating mode. Turn off by turning the control knob to off.

5 Accessories

Only use original accessories. These are designed especially for your appliance.

The accessories supplied may differ depending on the appliance model.

Accessories	Use
Wire rack	Inserting cake pans, baking dishes, cookware, meat and frozen meals.
Telescopic rail	Pull wire rack out further without tipping.
Meat probe	Determining the degree of cooking and the temperature in food items such as meat and poultry.

5.1 Other accessories

You can purchase other accessories from our Customer Service, specialist retailers or online.

You will find a comprehensive range of products for your appliance in our brochures and online:

www.bosch-home.com

Accessories are appliance-specific. When purchasing, always check for compatibility with your appliance model number (E-Nr).

You can find out which accessories are available for your appliance in our online shop or from our Customer Service.

Telescopic rail

Use

- Pull wire rack out further without tipping.
- Order number: 12029918

Side panel extension

Use

- Side cover for appliances without adjacent kitchen units.
- Order number: HEZ9YZ04UC

Teppan Yaki

Use

- Suitable for combi zone
- Order number: HEZ390512

System pan

Use

- Frying pan
- Order number: HEZ390230

Grill pan

Use

- Suitable for combi zone

- Order number: HEZ9GR37UC

Toe kick plate

Use

- Toe kick plate to conceal the appliance feet.
- Order number: HEZ9TK36UC

Metal range feet

Use

- Set (4 pcs.) of premium range feet.
- Order number: HEZ9LLUC

5.2 Fitting the telescopic rail set

Instructions on fitting the telescopic rail set are enclosed with the set.

5.3 Inserting racks

The wire rack can be inserted into the oven cavity at 5 different levels.

⚠ CAUTION

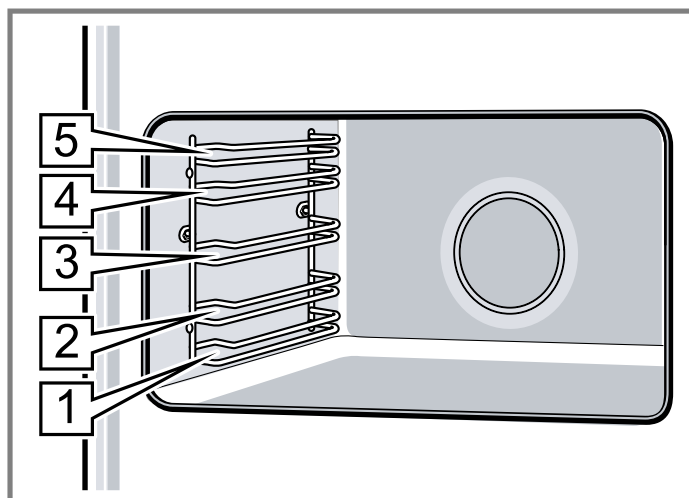
The oven racks and the oven cavity surfaces become very hot during cooking.

- ▶ Place oven racks in the desired positions before turning oven on.
- ▶ Always use oven mitts when the oven is warm.
- ▶ If a rack must be moved while the oven is hot, do not let oven mitts contact hot heating elements.
- ▶ Use caution when removing oven racks from the lowest rack position to avoid contact with the hot oven door.

⚠ CAUTION

To avoid possible injury or damage to the appliance, ensure oven rack is installed exactly per installation instructions and not backwards or upside down.

Always push racks in fully so that they do not touch the door panel. Make sure that you always insert the racks into the oven cavity the right way, and not backwards or upside down.

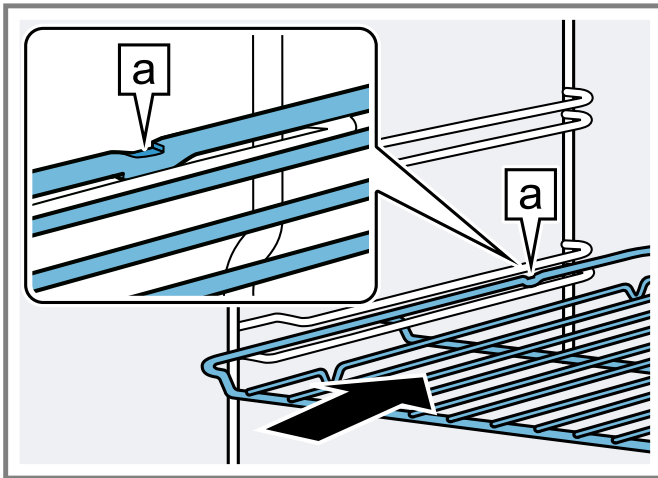


Flat rack

The rack is designed with a stop so it will stop before coming completely out of the oven.

Inserting the wire rack into oven

1. Grasp the rack firmly on both sides.
2. Insert the rack.



3. Tilt the rack up to allow the stop to slide onto the rack guide.
4. Bring the rack to a horizontal position and push it in the rest of the way.

The rack should be straight and level.

Removing the flat rack from the oven

1. Grasp the rack firmly on both sides and pull it toward you.
2. When the stop is reached, tilt the rack up and pull it out fully.

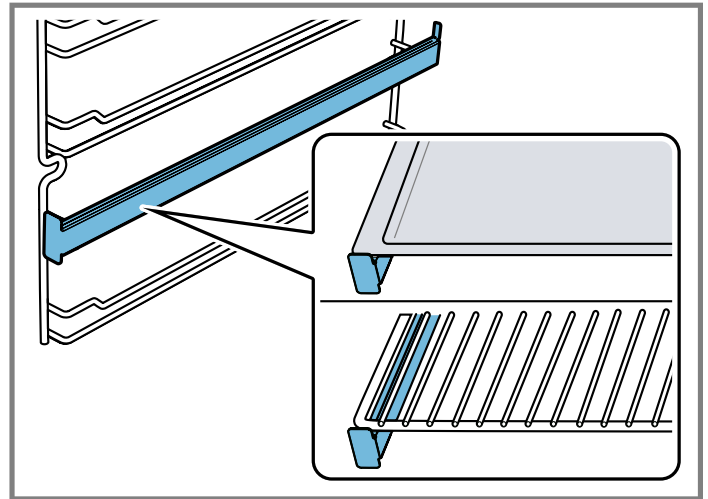
Telescopic rail

⚠ WARNING

The telescopic rails become hot when the appliance is in use.

- ▶ You must take great care to avoid burning yourself when they are pulled out.

The telescopic rails allow you to pull accessories out completely. When inserting the baking tray or roasting shelf, ensure that it locks into place in front of the tab on the telescopic rails.

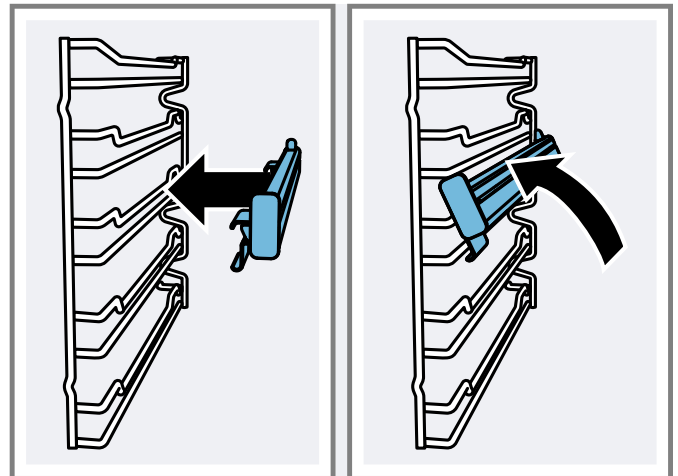


Inserting the telescopic rail into the oven

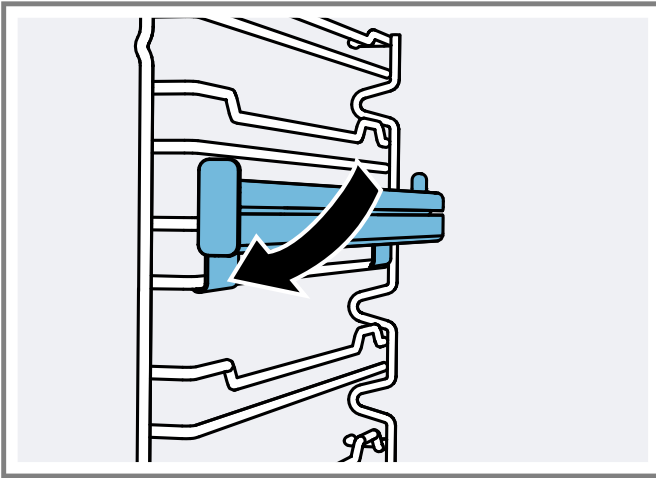
⚠ CAUTION

To avoid possible injury or damage to the appliance, ensure the telescopic rail is installed exactly per installation instructions and not backwards or upside down.

1. Hang the upper part of the rail onto the rack guide.



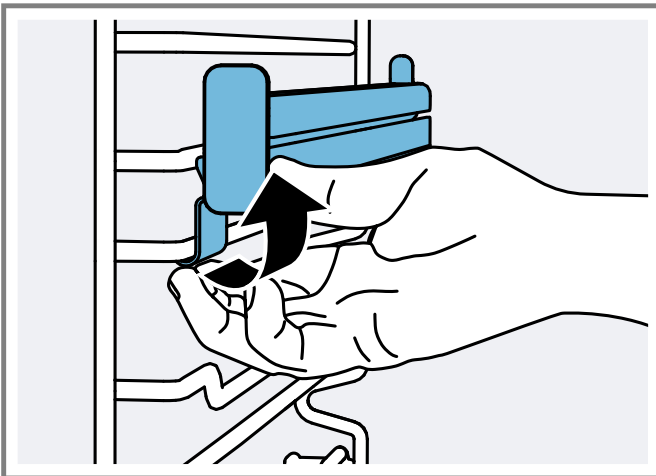
- Clip the lower part of the rail onto the rack guide.



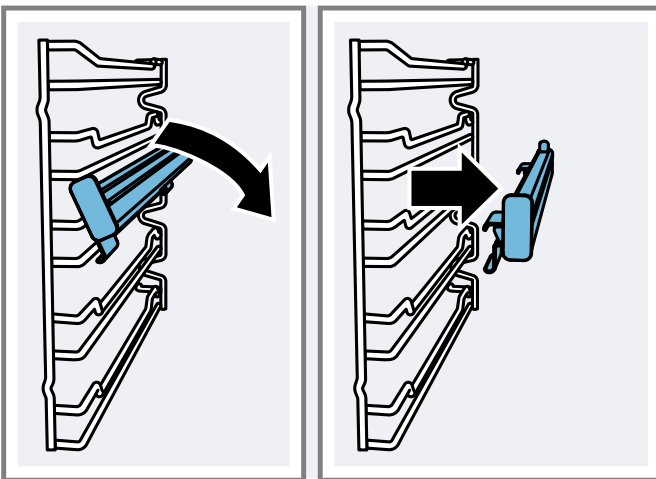
- Slide the movable part of the telescopic rail in and out a few times to make sure it is able to move freely and that the stationary part of the telescopic rail is securely anchored.

Removing the telescopic rail from the oven

- Pull the lower part of the rail away from the rack guide.



- Lift the upper part of the rail off the rack guide.



6 Before using for the first time

Carry out these steps before using your appliance.

- The appliance must be properly installed by a qualified service provider before use.
- Read and understand all safety precautions → *Page 3* and information in the Use and Care Manual prior to operating.
- This Use and Care Manual covers several models. Not all features are available on all models.

6.1 Setting the time

Once the appliance is connected to a power supply, **12:00** flashes on the display. Set the time.

1. Use the **-** and **+** buttons to set the time.
 2. Press the **⏸** button.
- ✓ The time has now been set.

Note: Once the period allowed for setting the time on the clock has elapsed, the time will automatically be saved.

6.2 Cleaning the appliance before using it for the first time

In order to prevent excess smoke and odor from manufacturing oils, heat up the oven for the first time when it is empty and closed.

Note: There may be a slight odor during first uses. This is normal and will disappear. Keep the room ventilated while the appliance is heating.

1. Remove all packing materials and literature from the cooktop surface and the oven cavity.
2. Remove the accessories and the rack guides from the oven cavity.
3. Completely remove any leftover packaging, e.g. small pieces of polystyrene, from the oven cavity.
4. Some parts are covered with a protective film. Remove this scratch protection film.
5. Wipe the smooth surfaces in the oven cavity with a soft, damp cloth.
6. Turn the function selector to **bake**.
7. Use **+** to set the maximum temperature.

Note: When the appliance is heating up for the first time, you may hear crackling noises coming from the oven.

8. Switch the oven off after one hour.
9. Once oven has cooled wipe out the oven cavity with hot soapy water and replace the rack guides. If necessary, clean the door panels.
10. Wipe off the cooktop surface with a clean, damp sponge and dry.

6.3 Cleaning the accessories

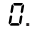
- Before using the accessories, clean them thoroughly using a cloth and warm soapy water.

7 Cooktop operation


Here you will find out everything you need to know about operating your cooktop.

7.1 Setting the power level

Adjust the power level of the cooking zone with the control knobs.

- ▶ Push and turn the control knob clockwise to the desired power level.
- ✓ The cooktop on indicator lights up.
- ✓ The selected power level lights up in the cooking zone display.
- ✓ When you set down an additional piece of cookware on another cooking zone, the cookware is detected and the corresponding cooking zone display shows .

Notes

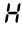
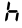
- If there is no cookware on the cooking zone,  lights up in the cooking zone display. This means that the cooking zone tries to detect the cookware. Place cookware on the cooking zone within 30 seconds, or the cooking zone will switch itself off. Turn the control knob to **0** and set the power level again.
- If the indicator lights up while cookware is present on the cooking zone, check whether the cookware is suitable for induction cooking.
→ "Induction cooking", Page 20
- The cooktop may temporarily reduce the power automatically to protect the fragile parts of your appliance and to prevent the appliance from producing excess noise.

7.2 Turning the cooking zone off

- ▶ Turn the control knob to **0**.
- ✓ The residual heat is displayed on the cooking zone display until the cooking zone has cooled off.
- ✓ When all cooking zones are turned off, the cooktop on indicator goes out. The cooktop is turned off.

7.3 Residual heat indicator

The cooktop is equipped with a residual heat indicator for each cooking zone. The residual heat indicator lights up when a cooking zone is turned off. Do not touch the cooking zone when the residual heat indicator lights up.

Display	Meaning
	The cooking zone is hot.
	The cooking zone is warm.

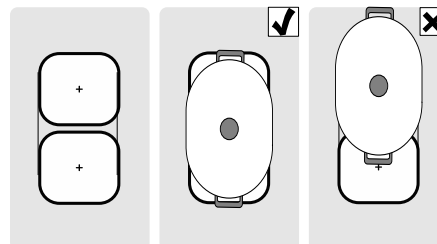
If you remove the cookware from the cooking zone during cooking, the residual heat indicator and the selected power level flash alternately.

7.4 CombiZone

Using this function allows the two left cooking zones to be linked together into a single cooking zone, providing greater cooking flexibility. When doing this the same power level is set for both cooking zones.

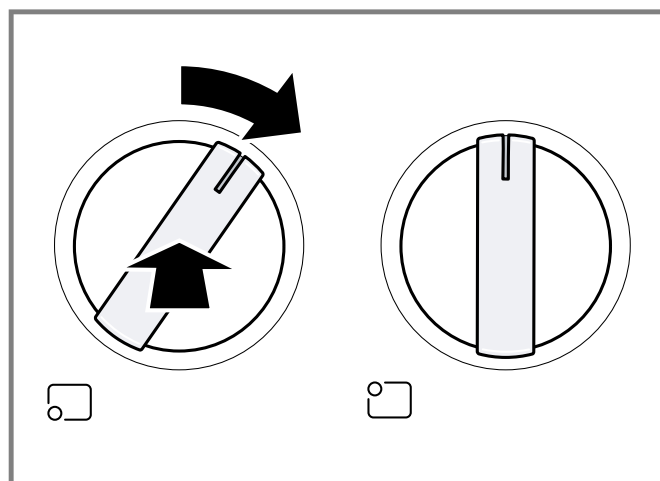
Correct use of cookware for the CombiZone



For best results, use cookware that matches the size of the two cooking zones. Place the cookware in the center of the cooking zones.

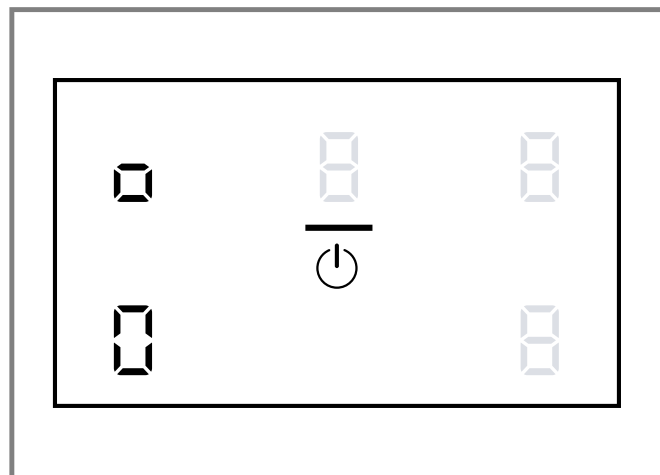


Turning on the CombiZone

1. If a power level is set, turn the two left control knobs to **0**.
2. Push and turn the left most control knob to **combi zone**.



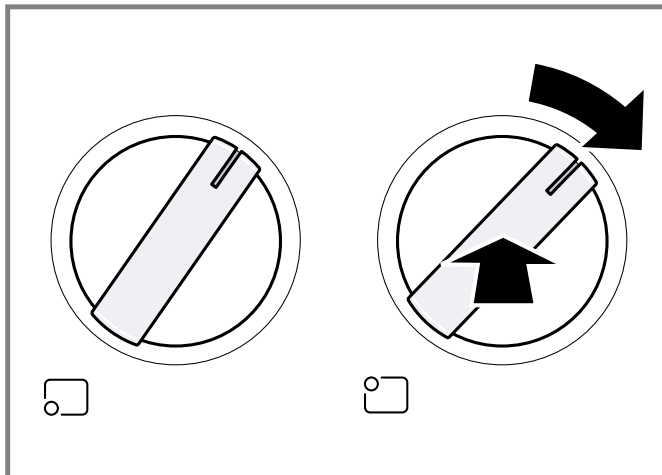
- ✓ A beep sounds.
- ✓  and  blink on the two left cooking zone displays.



- ✓ The CombiZone function is activated.

Setting the power level on the CombiZone

1. Push and turn the second to the left control knob to the desired power level for CombiZone cooking.

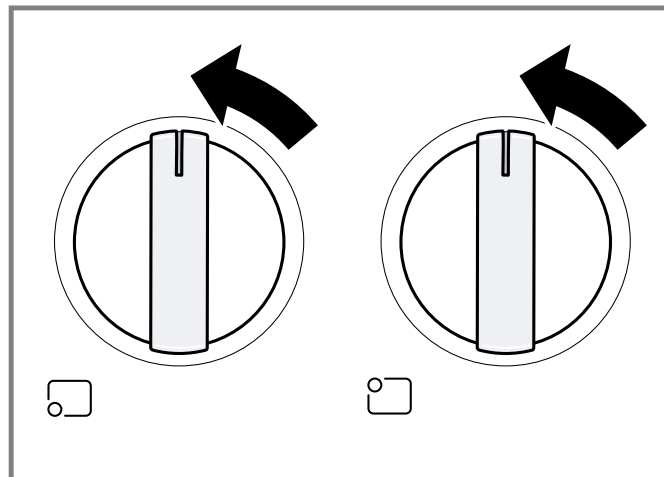


- ✓ Both cooking zone power levels are linked. Their status is shown on the cooktop display.

2. You can adjust the CombiZone power level at any time by turning the second to left control knob.

Turning off the CombiZone

- ▶ Turn the two left control knobs back to 0.



- ✓ A beep sounds.
- ✓ The two cooking zones can be used independently.

7.5 Warming zone

With the warming levels you can use preset power levels for various applications.

Power level	Function	Display	Temperature °F (°C)
W1	Keep warm	-	115 (45)
W2	Melting	—	160 (70)
W3	Simmering	—	205 (95)

Setting the warming level

- ▶ Push and turn the control knob to the desired warming level.
- ✓ The temperature is kept automatically at the desired level.

7.6 SpeedBoost®

With this function you can heat larger quantities of water faster than with power level 9. This function temporarily increases the top output of the selected cooking zone.

Activating SpeedBoost®

⚠ WARNING

Oil and fat heat up quickly with the SpeedBoost® function. Overheated oil and fat may ignite.

- ▶ Never leave the cooktop unattended during cooking.

1. Turn the control knob of the desired cooking zone clockwise to 9.

Note: If the control knob is already on position 9 continue with the next step.

2. Slightly overturn the control knob clockwise to **max** up to the stop. Hold it in this position for 3 seconds until **b** lights up in the cooking zone display.

3. Release the control knob.

- ✓ The control knob automatically returns to 9.
- ✓ SpeedBoost® is activated for 10 minutes.
- ✓ After 10 minutes a signal sounds and the cooking zone switches to power level 9.

Deactivating SpeedBoost®

If you do not deactivate the SpeedBoost® function, it turns off automatically after 10 minutes. The cooking zone continues operating with power level 9.

- ▶ Turn the control knob to a different power level.
- ✓ **b** goes out.
- ✓ The cooking zone switches to power level 9.



Note: In certain circumstances, this function may switch off automatically in order to protect the electronic elements inside the cooktop.

7.7 Panel lock


You can use the panel lock to prevent the cooktop from being turned on accidentally.

Turning the panel lock on

Requirement: The cooktop is turned off.

- ▶ Push and turn the two left cooktop control knobs counter-clockwise to  and hold them in this position for 3 seconds.
- ✓  lights up in the cooking zone display.
- ✓ The cooktop does not respond when any control knob is operated.

Turning the panel lock off

- ▶ Push and turn the two left cooktop control knobs counter-clockwise to  and hold them in this position for 3 seconds.
- ✓ The cooktop control panel is unlocked.

7.8 Automatic time limitation

If a cooking zone is used for a prolonged period of time without changes in the settings being made, the automatic time limitation function is triggered.

The cooking zone stops heating. *FB* and the residual heat indicator *H/h* flash alternately in the display.

The indicator goes out when the control knob is set to **0**. The cooking zone can now be reset.

When the automatic time limitation is activated depends on the selected power level (from 1 to 10 hours).

7.9 Power management

The power management function prevents that the total power of the cooktop is exceeded.

In case the combined selected power levels exceed the available power, the power level on one of the cooking zones has to be reduced. The power level of the affected cooking zone is blinking for 3 seconds, before it is reduced automatically by one step.

- If the power level is reduced automatically, the power level displayed on the cooking zone display does not correspond to the setting on the control knob anymore. Turn the knob to the power level shown in the cooking zone display, or to a lower power level.
- To prevent the automatic power reduction, you can set a lower power level on one of the cooking zones manually within 3 seconds.

7.10 Induction cooking

Advantages of induction cooking

Induction cooking is fundamentally different from traditional cooking methods, since the heat builds up directly in the cookware. This offers numerous advantages:

- Saves time when boiling and frying.
- Saves energy.
- Easier to care for and clean. Spilled food does not burn on as quickly.
- Controlling the heat supply and safety; the cooktop increases or decreases the heat supply as soon as the user changes the setting. The induction cooking zone

stops the heat supply when you remove the cookware from the cooking zone without you having to switch it off first.

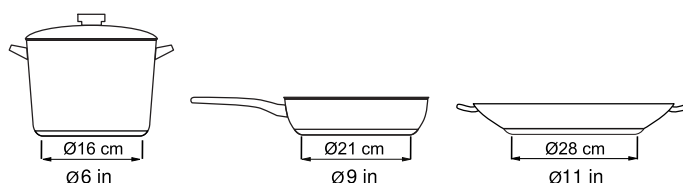
Cookware

Only ferromagnetic cookware is suitable for induction cooking.

For example:

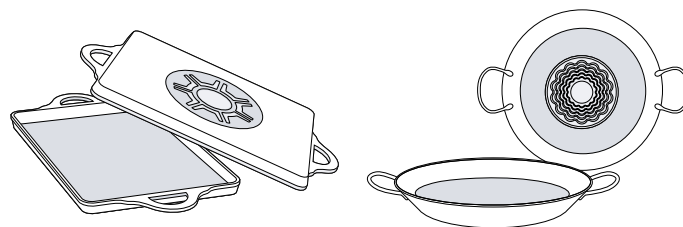
- Enameled steel cookware
- Cast iron cookware
- Special stainless steel cookware that is suitable for induction cooking

In order to achieve a good cooking result, ensure that the ferromagnetic area of the cookware base corresponds to the size of the cooking zone. If the cookware is not detected on a cooking zone, place it on a cooking zone with a smaller diameter.

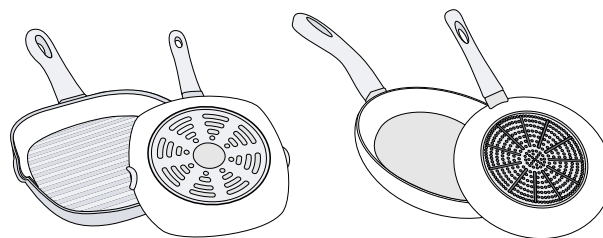


The base of many items of induction cookware is not fully ferromagnetic:

If you use large cookware with a smaller ferromagnetic base, only the area that is ferromagnetic heats up. As a result, the heat is not distributed evenly. The temperature of the non ferromagnetic area may therefore be too low for cooking.



Cookware bases that contain aluminum reduce the ferromagnetic area. This may reduce the output and the cookware will not be detected sufficiently or at all, and will therefore not be heated sufficiently.



Unsuitable cookware

Never use heat diffuser plates or cookware made of the following:

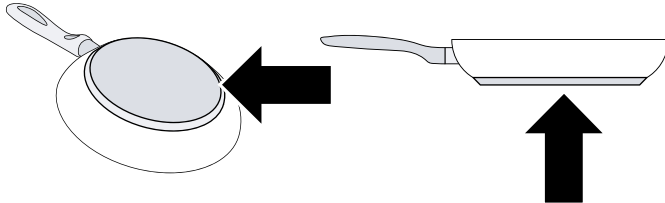
- Thin-walled normal steel
- Glass
- Clay

- Copper
- Aluminum

Composition of the cookware base

The material(s) from which the base of the cookware is made may affect the cooking result. Cookware made of materials that distribute heat evenly in the pot, such as saucepans with a stainless steel sandwich base, save time and energy.

You should preferably use cookware with a flat base because uneven cookware bases impair the heat supply.



No cookware/cookware of an unsuitable size

If you do not place cookware on the selected cooking zone or the cookware is made of an unsuitable material or is not the right size for the cooking zone, L lights up in the cooking zone display. To make the display go out, place a suitable item of cookware on the cooking zone. If you do not place a suitable item of cookware on the cooking zone within 30 seconds, it automatically switches off.

Empty cookware or cookware with a thin base

Do not heat empty cookware and do not use cookware with a thin base. The cooktop is equipped with an internal safety system. However, empty cookware may heat up so quickly that the "Automatic switch-off" function does not respond quickly enough and an excessive temperature is reached. As a result, the base of the cookware may melt and damage the glass plate. In this case, do not touch the cookware; switch off the cooking zone. If the cooking zone no longer works after cooling down, contact Customer Service.

Cookware detection

Each cooking zone has a minimum limit for the cookware detection and this depends on the ferromagnetic diameter and the material of the base of the cookware. Therefore, use the cooking zone that best corresponds to the diameter of the pan base.

8 Oven operation

Here you will find out everything you need to know about operating your oven.

8.1 Switching on the oven

Note: Always keep the appliance door closed when it is in operation.

1. Turn the function selector to the desired operating mode.
- ✓ A default value for the temperature or grill setting is displayed.
2. Use $+$ or $-$ to set the desired temperature or grill setting.
- ✓ The oven switches on.

Grill settings

You must set a grill setting for the "broil" and "conv boil" types of heating.

You can choose from the following grill settings:

---	Minimum
---	Medium
---	Maximum

Switching off the oven

- ▶ Turn the function selector to "off".

8.2 Time-setting options

Setting the electronic clock

You can alter the clock if you need to (e.g. for daylight savings time). To do this, the oven must be switched off.

1. Press the ⌚ button twice.
- ✓ ⌚ lights up in the display.
2. Change the time using the $+$ and $-$ buttons.
- ✓ The time is saved automatically.

Setting the kitchen timer

The kitchen timer is a countdown timer that has no affect on oven heating. The duration of the kitchen timer can be set from 30 seconds to 23 hours and 59 minutes.

1. Press the ⌚ button.
- ✓ ⌚ lights up.
2. Use the $+$ and $-$ buttons to set the desired time for the timer.
- ✓ An audible signal sounds once the time has elapsed.

Notes

- – To change the remaining time, press the ⌚ button. Then use the $+$ and $-$ buttons to change the remaining time.
- To cancel the kitchen timer, press the ⌚ button. Then set the remaining time to zero using the $+$ and $-$ buttons.
- The kitchen timer will be deleted if the meat probe is inserted.

Switching off the signal tone

- ▶ Press any button to switch off the audible signal.

Note: You can change the duration of the audible signal in the basic settings.

Setting the cooking time

The cooking timer automatically ends a heating mode after a set period of time.

1. Set the required type of heating and temperature.

✓ The oven starts.

2. Press the  button twice.


✓  lights up in the display.

3. Use the $+$ and $-$ buttons to set the operating time duration.

The operating time duration can be set from 1 minute to 13 hours. The cooking time can be set in one-minute increments up to one hour, and then in five-minute increments.

✓ The cooking time counts down in the display.

Notes

- Press the  button twice and use the $+$ and $-$ buttons to change the remaining time.
- The cooking time will be deleted if the meat probe is inserted.

The cooking time has elapsed

An audible signal sounds. The appliance stops heating up.

1. To switch the signal off, press any button or open the appliance door.

After a short time, the audible signal stops automatically.

2. Turn the function selector to the zero setting.

Setting the end time

With this feature you can program your oven to finish a heating mode at a predetermined time.

1. Set the required type of heating and temperature.

✓ The oven starts.

2. Press the  button twice.

✓  lights up in the display.


3. Use the $+$ and $-$ buttons to set the operating time duration.

The operating time duration can be set from 1 minute to 13 hours. The cooking time can be set in one-minute increments up to one hour, and then in five-minute increments.

✓ The cooking time has been set.

4. Press the  button.

When the button is first pressed, a value is suggested on the display. This suggested value is calculated using the current time on the clock and the cooking time.

✓  lights up in the display.

5. Use the $+$ and $-$ buttons to set the required end time.

✓ The display shows the end time. The appliance switches to standby mode until programmed starting time.

Note: The end time will be deleted if the meat probe is inserted.

The cooking time has elapsed

An audible signal sounds. The appliance stops heating up.

1. To switch the signal off, press any button or open the appliance door.

After a short time, the audible signal stops automatically.

2. Turn the function selector to the zero setting.

8.3 Core temperature meat probe


The meat probe measures the internal temperature of the food. You can set a core temperature and the heating mode turns off automatically as soon as the set temperature is reached.

Setting the core temperature

1. Insert the probe into the meat as described below.


2. Connect the probe to the socket in the upper left of the oven cavity.

3. Close the oven door.

✓  appears in the display.

4. Turn the function selector to “bake”, “conv bake”, “multi rack” or “conv roast”.

5. Set the cooking temperature with $+$ or $-$.

6. Press  to switch to the meat probe target temperature.

7. Set the meat probe target temperature with $+$ or $-$ (70 °F (20 °C) - 195 °F (90 °C)).

Note: If a duration time is set and the meat probe is inserted after, the cooking ends when the meat probe reaches the desired temperature.

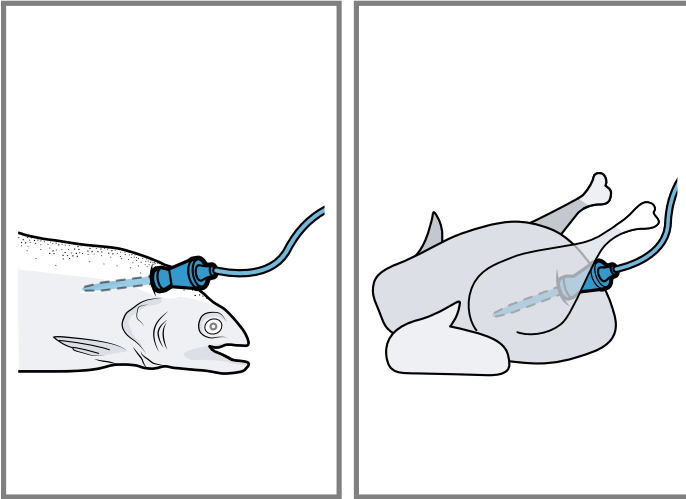
Tip

- The range for the probe temperature is between 70 °F (20 °C) and 195 °F (90 °C).
- Do not store the probe in the oven.
- Always use the handle of the probe for inserting and removing.
- Always use a potholder to remove the probe since it becomes hot.
- Since meat continues to cook after being removed from the oven, set the internal (probe) temperature 5 - 10 degrees below the desired final internal temperature (exception poultry).

Insert the meat probe in the food to be cooked

Insert the meat probe in the food to be cooked before you place it in the oven interior.

- Insert the metal tip at the thickest point in the food you are cooking.
- Make sure that the end of the tip is approximately in the center.
- It must not be placed in the fat and must not touch any cookware or bones.
- If there are several pieces, insert the meat probe in the middle of the thickest piece.
- Insert the meat probe completely, if possible. In the case of poultry, make sure that the tip of the meat probe is not in the center cavity, but in the meat between the belly and upper leg.



8.4 Sabbath mode

Sabbath mode enables those of particular faiths to use their ovens on the Sabbath. In Sabbath mode, the oven continues to operate for a maximum of 74 hours.

Setting the Sabbath mode

1. Make sure the Sabbath mode is activated in the basic settings.
2. Turn the function selector to "bake".
3. Press **C** four times.
 - ✓ **S** appears in the display during Sabbath mode.
4. Set the temperature **-** or **+** (100 °F (40 °C) – 450 °F (230 °C)).
5. Press **C**.
6. Set duration with **-** or **+**.
7. Press **⏻**.
 - ✓ Sabbath mode is set. **S** appears in the display, all other display symbols are off. The oven light is off.

Tip: Turn the function selector to "off" to cancel Sabbath mode.

8.5 Panel lock

The oven has a panel lock to prevent the oven from being switched on accidentally.

When the panel lock is activated, the panel is locked and the oven function selector is deactivated.

Note: If the cooktop is being used, it will not be affected by the panel lock on the oven.

Activating the panel lock

The appliance must be switched off.

- ▶ Press and hold the **C** button for approx. four seconds.
- ✓ The **C** symbol appears on the display. The panel lock has now been activated.

Deactivating the panel lock

- ▶ Press and hold the **C** button for approx. four seconds.
- ✓ The **C** symbol on the display goes out. The panel lock has now been deactivated.

8.6 Getting the most out of your oven

Aluminum foil

⚠ WARNING

Do not use aluminum foil or protective liners to line any part of the appliance, especially the oven bottom. Installing these liners may result in risk of electric shock or fire.

Preheating the oven

- Place oven racks in the required position before heating the oven.
- Always preheat the oven.
- Allow the oven to preheat while preparing recipe ingredients or food items.
- Increasing the oven temperature will require a longer preheat time.
- The heating-up indicator displays the rising temperature in the oven cavity.
 - "Temperature indicator", Page 12
- When the oven has preheated a beep indicator will sound for 2 seconds.
- Once the oven is preheated, place the food in the oven as quickly as possible to minimize the loss of heat and reduction of oven temperature.

Baking pans and dishes

- Glass baking dishes absorb heat. Some cookware manufacturers recommend reducing the temperature by 25 °F (14 °C) when using this type of dish. Follow the manufacturers' recommendations.
- Cookie sheets should have at least 1" clearance on all sides.
- Use pans that provide the desired level of browning. For tender, light, golden brown crusts, use light, anodized or shiny metal bakeware.
- Dark, rough or dull pans (nonstick or anodized) will absorb heat and result in a browner, crisper crust. Some manufacturers recommend reducing the temperature by 25 °F (14 °C) when using this type of pan. Follow the manufacturers' recommendations.
- Insulated cookie sheets or bakeware may increase the length of cooking time.
- Do not place broil pans or any other heavy objects down on the open oven door.
- Do not store empty pans or pizza stones in the oven during cooking as this changes the cooking performance. Store pans outside of the oven.

Opening the oven door

Open and close the appliance door only by holding the door handle.

To avoid risk of burns, do not touch any other parts of the door. Open the door as briefly as possible to avoid temperature reduction. Use the interior oven light to view the food through the oven window rather than opening the door frequently.

High altitude baking

When cooking at high altitudes, recipes and cooking times will vary.

For accurate information, write the Extension Service, Colorado State University, Fort Collins, Colorado 80521. There may be a cost for the guides. Specify which high altitude food preparation guide you prefer: general information, cakes, cookies, breads, etc.

Condensation

It is normal for certain amount of moisture to evaporate from the food during any cooking process. The amount depends on the moisture content of the food. The moisture may condense on any surface cooler than the inside of the oven, such as the control panel.

Bake

Bake is cooking with dry, heated air. Both the upper and lower elements cycle to maintain the oven temperature. Bake mode can be used to prepare a variety of food items, from pastries to casseroles. Refer to recipe or package directions for oven temperature and baking time.

Tip

- Preheat the oven if the recipe recommends it.
- Baking time will vary with the size, shape and finish of the bakeware. Dark metal pans or nonstick coatings will cook faster with darker results. Insulated bakeware will lengthen the cooking time for most foods.
- For best results, bake food on a single rack with at least 1–1½" space between pans or dishes and oven walls.
- Eliminate heat loss from the oven by using the window to periodically check food for doneness instead of opening the door.

Convection bake

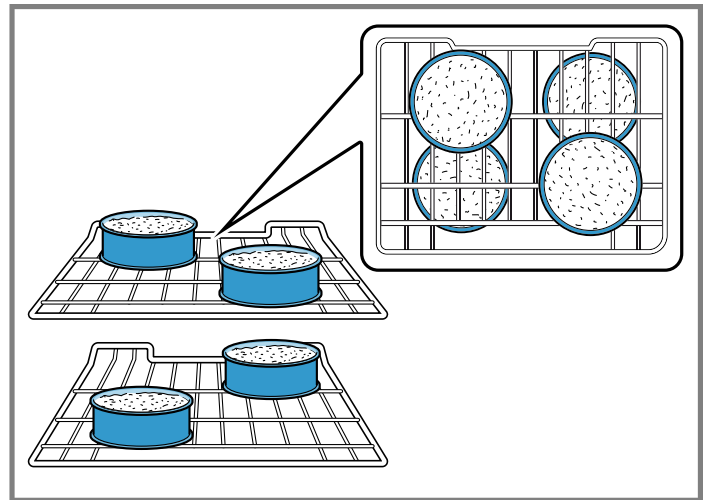
Convection Bake is similar to Bake. Heat comes from the upper and lower heating elements. The main difference in convection baking is that the heat is circulated throughout the appliance by the convection fan. Convection Bake mode is well suited for cakes, bar cookies and breads to take advantage of the bottom heat, yielding a better crust on baked items.

The benefits of Convection Bake include:

- Slight decrease in cooking time.
- Higher volume (yeast items rise higher).

Tip

- Place food in shallow, uncovered pans, such as cookie sheets without sides.
- If baking more than one pan on a rack, allow at least 1–1½" of air space around the pan.
- For cakes, use rack positions 2 and 5. Stagger pans so that one is not directly above the other (see following graphic).



Multi-Rack

Convection Multi-Rack cooks with heat from a third element behind the back wall of the oven. The heat is circulated throughout the oven by the convection fan. Convection Multi-Rack is well suited for cooking individual serving-sized foods such as cookies and biscuits. It is also good for cooking on multiple racks (2 or 3) at the same time. Baking cookies is possible on 5 racks simultaneously. In this case, the baking time increases slightly.

The benefits of Convection Multi-Rack include:

- Even browning.
- Time savings as a result of using multiple racks at one time.

Tip

- Place food in low-sided, uncovered pans such as cookie sheets without sides.
- If baking more than one pan on a rack, allow at least 1" to 1½" of air space around the pan. Stagger pans so that one is not directly above the other.

Proof

In Proof mode, the appliance uses the lower elements to maintain a low temperature to proof bread or other yeast doughs.

- No preheating is necessary.
- Proofing is the rising of yeast dough.
- In Proof mode, the temperature is 85 °F (30 °C) to 125 °F (50 °C).
- Loosely cover the bowl or pan and use any rack that accommodates the size of the container.
- Keep the door closed and use the oven light to check the rising of the dough.

Pizza

In Pizza mode, heat from the upper and lower elements is circulated throughout the oven by the convection fan. Use Pizza mode for fresh or frozen pizza.

Tip

- When baking a frozen pizza: For a crispy crust, place directly on the rack. For a softer crust, use a pizza pan.

- When proofing pizza dough, coat dough with olive oil and cover it in a bowl tightly with plastic wrap to prevent crust formation.
- Sprinkle cornmeal on the pizza pan to prevent sticking.
- If using a pizza paddle, sprinkle the paddle liberally with cornmeal for ease in transferring the dough to the pan.
- If par baking handmade pizza dough, prick the dough with a fork before baking.
- If using a pizza pan, choose a dark, perforated pan for a more crisp crust and a non-perforated pan for a softer crust.
- Preheat baking stones following manufacturer's recommendations while the oven is preheating.
- Bake homemade pizzas on rack position 2 in the center of the rack.
- Follow manufacturer's directions for frozen pizza.

Convection roast

Convection Roast uses heat from the lower elements as well as heat circulated by the convection fan.

Convection Roast mode is well suited for preparing tender cuts of meat and poultry. It is also suitable for roasting vegetables.

The benefits of Convection Roast mode include:

- As much as 25 % faster cooking than non-convection modes.
- Rich, golden browning.

Tip

- Preheating the oven is not necessary.
- Use the same temperature as indicated in the recipe.
- Check doneness early, since roasting time may decrease.
- Do not cover meat or use cooking bags.
- Use a broil pan with a rack and grid or a shallow, uncovered pan with a rack for roasting.
- Use a meat thermometer to determine the internal temperature of the meat.
- If the meat is browned to your liking, but is not yet done, foil can be placed over the meat to prevent overbrowning.
- Let meat stand covered with foil for 10–15 minutes after removing it from the oven.

Convection broil

Convection Broil is similar to Broil.

It combines intense heat from the upper element with heat circulated by a convection fan. Convection Broil mode is well suited for cooking thick, tender cuts of meat, poultry

and fish. Convection Broil is not recommended for browning breads, casseroles and other foods. Always use Convection Broil with the door closed. In addition to the benefits of standard broiling, convection broiling is faster.

Tip

- Preheat oven for 3–4 minutes. Do not preheat for more than 5 minutes.
- Steaks and chops should be at least 1–1½" thick.
- Use the broil pan and grid or a deep pan with a metal rack for broiling.
- Do not cover the broil grid with foil. It is designed to drain fats and oils away from the cooking surface to prevent smoking and spattering.
- Turn meats (other than fish) once during the recommended cooking time. Fish does not need to be turned.
- Never use heat-proof glass (Pyrex®); it cannot tolerate the high temperature.

Broil

Broil uses intense heat radiated from the upper element. Broil mode is best suited for cooking thin, tender cuts of meat (1" or less), poultry and fish. It can also be used to brown breads and casseroles. Always broil with the door closed.

The benefits of broiling include:

- Fast and efficient cooking.
- Cooking without the addition of fats or liquids.

Tip

- Preheat oven for 3–4 minutes. Do not preheat for more than 5 minutes.
- Steaks and chops should be at least ¾" thick.
- Brush fish and poultry with butter or oil to prevent sticking.
- Use broiler pan with grid when broiling.
- Do not cover the broil grid with foil. It is designed to drain fats and oils away from the cooking surface to prevent smoking and spattering.
- Turn meats (other than fish) once during the recommended cooking time. Fish does not need to be turned.
- When browning the top of casseroles, use only metal or glass ceramic dishes.
- Never use heat-proof glass; it cannot tolerate the high temperature.

8.7 Basic Settings - Oven

You can configure the basic settings for your appliance to meet your needs.

List of basic settings

Depending on the features of your appliance, not all basic settings will be available.

Display	Function	Options
<i>SOUND</i>	Signal duration upon completion of a cooking time or timer duration	<i>10 SEC</i> = approx. 10 seconds <i>30 SEC</i> = approx. 30 seconds ¹ <i>120 SEC</i> = approx. 2 minutes
<i>TIME OUT</i>	Waiting time until a setting is applied	<i>3 SEC</i> = approx. 3 seconds ¹ <i>6 SEC</i> = approx. 6 seconds <i>10 SEC</i> = approx. 10 seconds
<i>PHONE</i>	Button tone that sounds when a button is touched	<i>NO</i> = off <i>YES</i> = on ¹
<i>DISPLAY</i>	Brightness of the display illumination	<i>1</i> = dim <i>2</i> = medium ¹ <i>3</i> = bright
<i>CLOCK</i>	Displays the clock time	<i>NO</i> = hide the clock <i>12 HRS</i> = display the 12-hour clock ¹ <i>24 HRS</i> = display the 24-hour clock
<i>LIGHT</i>	Interior lighting on when appliance in operation	<i>OFF</i> = no <i>ON</i> = yes ¹
<i>COOL FAN</i>	Cooling fan run-on time	<i>284 °F / 140 °C</i> = At over 284 °F/ 140 °C ¹ <i>230 °F / 110 °C</i> = At over 230 °F/ 110 °C <i>176 °F / 80 °C</i> = At over 176 °F/ 80 °C <i>140 °F / 60 °C</i> = At over 140 °F/ 60 °C
<i>FACTORY</i>	Reset all values to factory settings	<i>NO</i> = no ¹ <i>YES</i> = yes
<i>DEMO</i>	Activate demo mode. Demo mode is used for demonstration purposes – the oven does not actually heat in demo mode. Demo mode can only be activated within 5 minutes of connecting the appliance to the mains power supply.	<i>OFF</i> = no ¹ <i>ON</i> = yes
<i>TEMP IN</i>	Set the temperature unit.	<i>FAHRENH</i> = Fahrenheit (°F) ¹ <i>CELSIUS</i> = Celsius (°C)
<i>SABBATH</i>	Sabbath mode available	<i>OFF</i> = no <i>ON</i> = yes ¹

¹ Factory setting (may vary according to model)

Changing the basic settings

The function selector must be set to the "Off" position.

1. Press and hold the \odot button for approx. 4 seconds. The first basic setting appears on the display, e.g., *SOUND*.
2. Press the \odot button again to change the selected basic setting.
3. Use the $-$ or $+$ button to change the basic setting.
4. Press the \odot button again to save the basic setting.
5. Use the $+$ button to navigate to the next basic setting.
6. Use the $-$ or $+$ button to continue going through all of the basic settings as described above and use the \odot button to select and change the settings if necessary.

7. When you have finished, press and hold the \odot button again for approx. 4 seconds to confirm the settings. This applies all the basic settings.

✓ This applies all the basic settings.

Note

- You can change the basic settings again at any time. Demo mode can only be activated within 5 minutes of connecting the appliance to the mains power supply.
- Your changes to the basic settings will be retained even after a power failure.

9 Cleaning and maintenance

To keep your appliance working efficiently for a long time, it is important to clean and maintain it carefully.

9.1 Cleaning and maintenance - cooktop

Cleaning agents

You can purchase suitable cleaners and glass scrapers from Customer Support or in our online shop www.bosch-home.com/us/shop.

Tip: Bosch cleaners have been tested and approved for use on Bosch appliances. Other recommended cleaners do not constitute an endorsement of a specific brand.

Recommended cleaning agents

- Glass ceramic cooktop cleaner
- Bosch glass cooktop cleaner
- BonAmi®¹
- Soft Scrub®¹ (without bleach)
- White vinegar

Unsuitable cleaning agents

- Glass cleaners which contain ammonia or chlorine bleach. These cleaners may damage or permanently stain the cooktop.
- Caustic cleaners such as Easy Off®¹. These cleaners may stain the cooktop surface.
- Abrasive cleaners.
- Metal scouring pads and scrub sponges such as Scotch Brite®¹. These cleaners may scratch the cooktop surface and/or leave metal marks.
- Soap-filled scouring pads such as SOS®¹. These cleaners may scratch the cooktop surface.
- Powdery cleaners containing chlorine bleach. These cleaners may permanently stain the cooktop surface.
- Flammable cleaners such as lighter fluid or WD-40®¹.

Cleaning the glass ceramic cooktop

WARNING

Clean Cooktop With Caution.

- ▶ If a wet sponge or cloth is used to wipe spills on a hot cooking area, be careful to avoid steam burn.
- ▶ Some cleaners can produce noxious fumes if applied to a hot surface.
- ▶ Do not clean the appliance while it is still hot.

Requirements

- The cooktop has cooled off.
- Exception: Remove dry sugar, sugar syrup, milk and tomato products immediately.

→ "Cleaning recommendations", Page 27

1. Wipe off splatters with a clean, damp sponge or a paper towel.
2. Rinse and dry.
3. If a smudge remains use white vinegar.

4. Rinse and dry again.
5. Apply a small amount of cooktop cleaner with a clean paper towel or cloth and let it dry.
6. Buff the surface with a clean paper towel or cloth.

Cleaning the cooktop frame

For models with a metal frame follow these cleaning instructions.

Notes

- Wipe the cooktop frame with the grain.
- For moderate to heavy soil, use BonAmi®¹ or Soft Scrub®¹ (no bleach).

1. Wipe using a damp sponge or cloth.
2. Rinse and dry.

Cleaning recommendations

Follow these cleaning instructions for removing common soiling.

WARNING

The blade of the glass scraper is extremely sharp. You can cut yourself.

- ▶ Replace the blade immediately, when you see any imperfections.
- ▶ Follow the manufacturer's instructions.

NOTICE:

Diamond rings may scratch the ceramic cooktop surface.

- ▶ Take off any rings before you clean the ceramic cooktop surface.

Type of soil	Recommendation
<ul style="list-style-type: none"> ■ Dry sugar ■ Sugar syrup ■ Milk ■ Tomato spills ■ Melted plastic film or foil 	<p>REMOVE IMMEDIATELY. Failure to remove these substances immediately can permanently damage the ceramic cooktop surface.</p> <p>Remove the soil with the glass scraper while the cooktop surface is still hot.</p> <p>Use a new, sharp razor in the glass scraper.</p> <ul style="list-style-type: none"> ■ Remove the cookware and turn off the cooking zone. ■ Put on an oven mitt. ■ Hold the glass scraper at 30° angle and scrape off the soil. Be careful not to gouge or scratch the glass ceramic surface.

¹ These marks are registered trademarks of their respective owners. All other trademarks are trademarks of BSH Home Appliances Corporation or its affiliated companies.

¹ These marks are registered trademarks of their respective owners. All other trademarks are trademarks of BSH Home Appliances Corporation or its affiliated companies.

Type of soil	Recommendation
	<ul style="list-style-type: none"> Push the soil off the heated area. Let the surface cool. Remove the residue and apply glass ceramic cooktop cleaner.
<ul style="list-style-type: none"> Burned-on food soil Dark streaks Dark specks 	<ul style="list-style-type: none"> Lay a damp paper towel or sponge on top of the soil for 30 minutes to soften the soil. Remove the soil with a plastic scrubber and glass ceramic cooktop cleaner or with the glass scraper. Rinse the cooktop surface and dry it.
Greasy spatters	<ul style="list-style-type: none"> Remove grease with a soapy sponge or cloth. Rinse the cooktop surface thoroughly and dry it. Apply glass ceramic cooktop cleaner.
Metal marks: iridescent stain	<p>Pans with aluminum, copper or stainless steel bases may leave marks.</p> <p>Treat metal marks immediately after the cooktop surface has cooled off. Failure to do so makes removal very difficult.</p> <ul style="list-style-type: none"> Clean the cooktop surface with glass ceramic cooktop cleaner. If this does not remove the marks, clean the cooktop surface with a damp paper towel and a mild abrasive (Bon Ami¹, Soft Scrub¹ without bleach). Rinse the cooktop surface and apply glass ceramic cooktop cleaner.
Hard water spots	<p>Hot cooking liquids may drip or spill on the cooktop surface. The minerals in some water can be transferred onto the surface and cause stains.</p> <p>Remove boilovers and stains before using the cooktop again.</p> <ul style="list-style-type: none"> Clean the cooktop surface with undiluted white vinegar. Rinse the cooktop surface and dry it. Apply glass ceramic cooktop cleaner.

¹ These marks are registered trademarks of their respective owners. All other trademarks are trademarks of BSH Home Appliances Corporation or its affiliated companies.

Type of soil	Recommendation
Surface scratches	<p>Small scratches are common and do not affect cooking. They become smoother and less noticeable with daily use of the glass ceramic cooktop cleaner.</p> <ul style="list-style-type: none"> Apply glass ceramic cooktop cleaner before cooking to remove sand-like grains and grit such as salt and seasoning. Scratches can be reduced by using pans with bases that are smooth, clean, and dry before use. Use recommended glass ceramic cooktop cleaner daily.

¹ These marks are registered trademarks of their respective owners. All other trademarks are trademarks of BSH Home Appliances Corporation or its affiliated companies.

Maintenance

This appliance requires no maintenance other than daily cleaning.

For best results, apply cooktop cleaning cream daily.

9.2 Cleaning and maintenance - oven

To avoid electrical shock hazard, before servicing the appliance, switch power off at the service panel and lock the panel to prevent the power from being switched on accidentally.

Cleaning the oven

Avoid These Cleaners

Do not use commercial oven cleaners such as Easy Off®. They may damage the oven finish or parts.

Chlorine or chlorine compounds in some cleansers are corrosive to stainless steel. Check ingredients on label.

Never use scouring pads or abrasive cleaners.

Oven cleaning guide

The cleaners recommended below and on the following page indicate a type and do not constitute an endorsement of a particular brand. Use all products according to package directions.

Part	Recommendations
Flat rack	Clean with soapy water. Rinse thoroughly and dry, or gently rub with cleansing powder or soapfilled pads as directed.

¹ These marks are registered trademarks of their respective owners. All other trademarks are trademarks of BSH Home Appliances Corporation or its affiliated companies.

Part	Recommendations
Telescopic rail	Clean with soapy water. Rinse thoroughly and dry, or gently rub with cleansing powder or soapfilled pads as directed. Avoid getting cleansing powder in the telescopic slides. Re-lubrication may become necessary. Use only high-temperature food-grade lubricants to re-lubricate slides.
Door seal	The seal should be soft and elastic. To keep the door seal clean, use a non-abrasive sponge and wash with lukewarm water.
Glass	Clean with soapy water or glass cleaner. Apply Fantastik® ¹ or Formula 409® ¹ to a clean sponge or paper towel and wipe clean. Avoid using powder cleaning agents, steel wool pads and oven cleaners.
Painted surfaces	Clean with soapy water or apply Fantastik® ¹ or Formula 409® ¹ to a clean sponge or paper towel and wipe clean. Avoid using powder cleaning agents, steel wool pads and oven cleaners.
Porcelain surfaces	Immediately wipe up acid spills like fruit juice, milk and tomatoes with a dry cloth when surface is cool enough to touch. Do not use a moistened sponge/cloth on hot porcelain. When cool, clean with soapy water or apply Bon-Ami® ¹ or Soft Scrub® ¹ to a damp sponge. Rinse and dry. For stubborn stains, use soap-filled pads. It is normal for porcelain to show fine lines with age due to exposure to heat and food soil.
Stainless steel surfaces	Never allow food stains or salt to remain on stainless steel for any length of time. Always wipe or rub in the direction of the grain. Clean with a soapy sponge, then rinse and dry, or wipe with Fantastik® ¹ or Formula 409® ¹ sprayed onto a paper towel. Protect and polish with Stainless Steel Magic® ¹ and a soft cloth. Protect and condition with the Bosch Stainless Steel Conditioner (order no. 00576696) and a soft cloth. Do not apply to logos and labeling. Remove water spots with a cloth dampened with white vinegar. Use Bar Keeper's Friend® ¹ to remove heat discoloration. Chlorine or chlorine

¹ These marks are registered trademarks of their respective owners. All other trademarks are trademarks of BSH Home Appliances Corporation or its affiliated companies.

Part	Recommendations
	compounds in some cleansers are corrosive to stainless steel. Check the ingredients on the label.
Plastic & controls	When cool, clean with soapy water, rinse and dry.
Meat probe	Wipe with soapy water. Do not submerge. Do not wash in the dishwasher.
Printed areas (words & numbers)	Do not use abrasive cleaners or petroleum based solvents.

¹ These marks are registered trademarks of their respective owners. All other trademarks are trademarks of BSH Home Appliances Corporation or its affiliated companies.

Cleaning self-cleaning surfaces

CAUTION

Do not use oven cleaner on the self-cleaning surfaces. These will damage the surfaces.

- ▶ If oven cleaner does get onto these surfaces, dab it off immediately using water and a sponge cloth.
- ▶ Do not rub the surface and do not use abrasive cleaning aids.

1. Use a microfiber cloth with soapy water to clean the upper and lower part of the self-cleaning surfaces.
2. Select Multi-Rack, and set the temperature to 550 °F (290 °C).
3. Switch off the appliance after one hour.
4. **Note:** The self-cleaning surface on the back panel must remain in the oven cavity.
If the side, self-cleaning surfaces are particularly dirty, remove these from the oven cavity.
→ "How to remove the rack guides and self-cleaning surfaces", Page 29
5. Wash the self-cleaning surfaces with hot soapy water.
6. Rinse and dry the self-cleaning surfaces.
7. Insert the self-cleaning surfaces into the oven cavity.
8. Select Multi-Rack, and set the temperature to 350 °F (175 °C).
9. Switch off the appliance after one hour.

Maintenance

How to remove the rack guides and self-cleaning surfaces

The rack guides are fixed to the side panels of the oven cavity at three points. The self-cleaning surfaces are fixed with the rack guides.

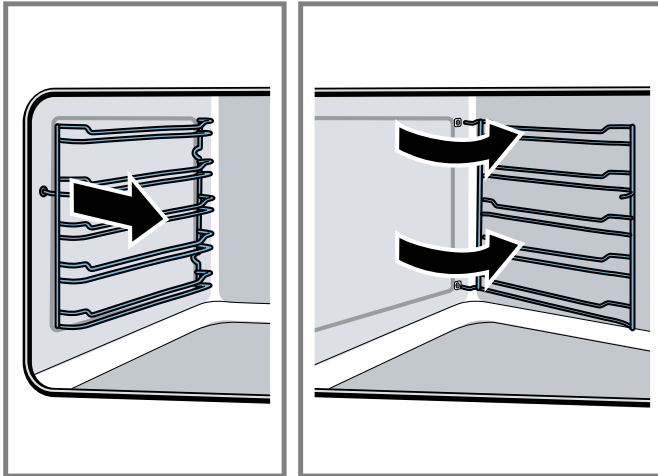
WARNING

The rack guides and self-cleaning surfaces get very hot.

- ▶ Never touch the rack guides and self-cleaning surfaces when they are hot.
- ▶ Always allow the appliance to cool down.

► Keep children at a safe distance.

1. When the oven is cool, grip the front of the rack guide and pull it round to the middle of the oven cavity.
- ✓ The front hook of the rack guide will come out of the hole.
2. Swing the rack guide round further and pull it out of the rear holes in the side panel.
3. Remove the rack guides from the oven cavity.



4. Replace the self-cleaning surfaces and rack guides in the reverse order in which they were removed.

How to remove the oven door glass

For easier cleaning the internal glass panes of the door can be removed.

⚠ WARNING

The glass panels are big, heavy and parts are fragile. Failure to grasp the glass firmly and properly could result in personal injury or product damage.

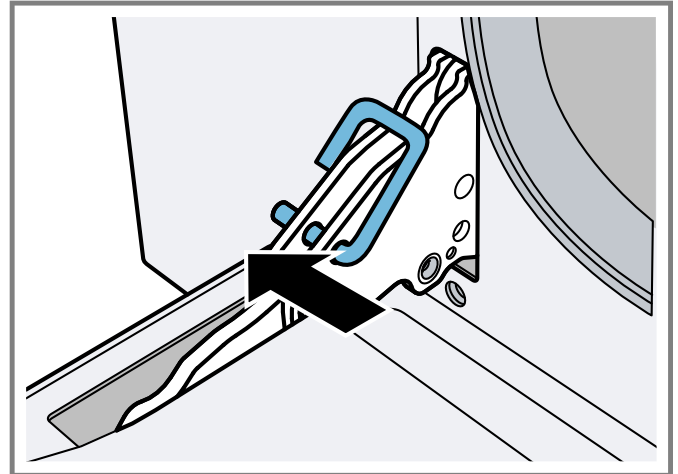
- Use both hands to remove the glass.
- Handle carefully to avoid breakage.
- Do not place the glass on sharp or pointed objects as this could break the glass.
- Lay on a flat, smooth surface, positioned so that the glass cannot fall over.

⚠ CAUTION

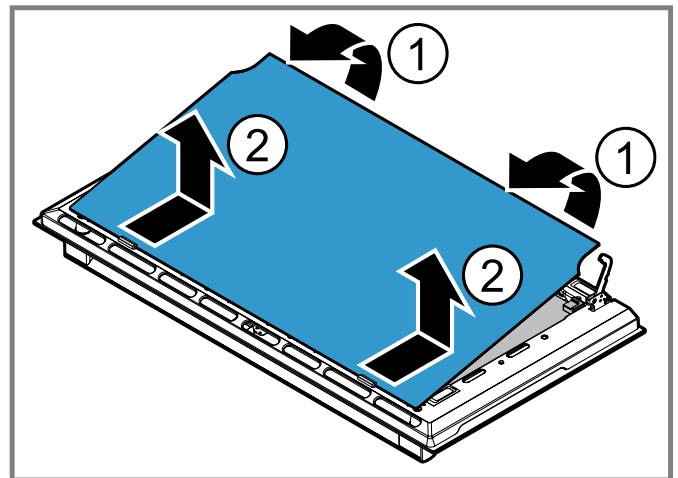
Wear gloves to avoid cutting fingers on broken glass.

1. Open the oven door fully.

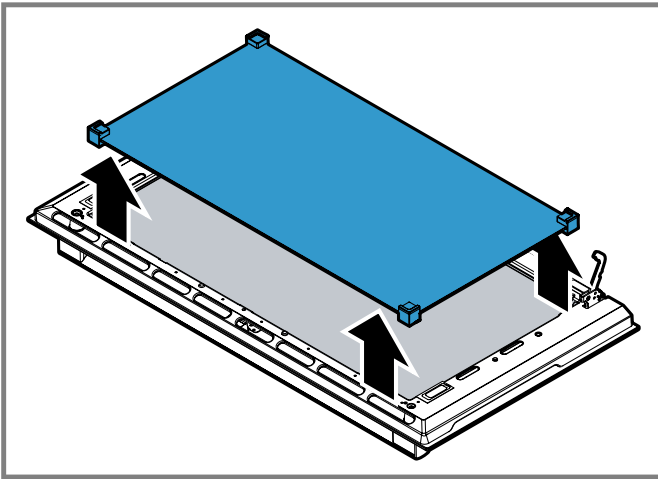
2. Lock the two hinges on the left and right using the locking pin. The locking pins must be fully inserted into the holes in the hinges.



3. ⚠ CAUTION Move the glass pane slowly to avoid damage to the glass and the oven cavity frame. Remove the internal glass pane by pulling the rear part gently upwards, following the movement indicated by the arrows ①. This way, the first 2 pins attached to the rear of the glass detach from their housings in the oven door. Then, push the glass pane slightly towards the oven cavity and pull it upwards ②. This way, the other 2 pins attached to the front of the glass detach from their housings in the oven door.



4. Remove the intermediate glass pane by lifting it upwards.



5. Clean the external glass pane and the panes removed previously.

Use absorbent kitchen roll. In case of stubborn dirt, wash with a damp sponge and neutral detergent.

6. Reinsert the middle panel.

Make sure that the panel is seated correctly. All rubber mounts must lay flat against the outer panel.

- ✓ If the Low-E symbol can be read, the middle panel is inserted correctly.

7. **CAUTION** Do not use with intermediate glass pane not correctly re-fitted.

Reposition the internal glass pane. First insert the front part into the two clips and the 2 pins in the front into their housings. Then insert the 2 pins in the rear into their housings in the oven door by applying slight pressure.

8. Remove the locking pins and close the oven door.

How to remove the oven door

WARNING

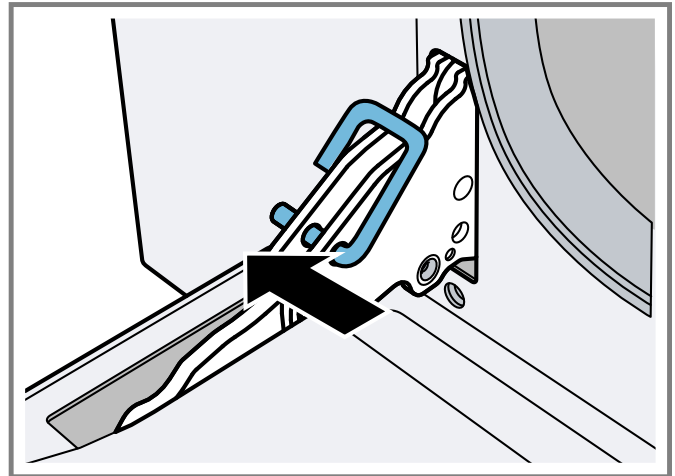
Failure to follow these instructions when removing the oven door may lead to personal injury or product damage.

- ▶ Make sure oven is cool and power to the oven has been turned off before removing the door. Failure to do so could result in electrical shock or burns.
- ▶ The oven door is heavy and parts of it are fragile. Use both hands to remove the oven door.
- ▶ The door front is glass. Handle it carefully to avoid breakage.
- ▶ Grasp only the side of the oven door. Do not grasp the handle. It may swing in your hand and cause damage or injury. Failure to grasp the oven door firmly and properly could result in personal injury or product damage.
- ▶ To avoid injury from hinge bracket snapping closed, be sure both levers are securely in place before removing the door.
- ▶ Do not force the door open or closed. The hinge could be damaged and cause damage or injury.

- ▶ Do not lay the removed door on sharp or pointed objects as this could break the glass. Lay it on a flat, smooth surface, positioned so that the door cannot fall over.

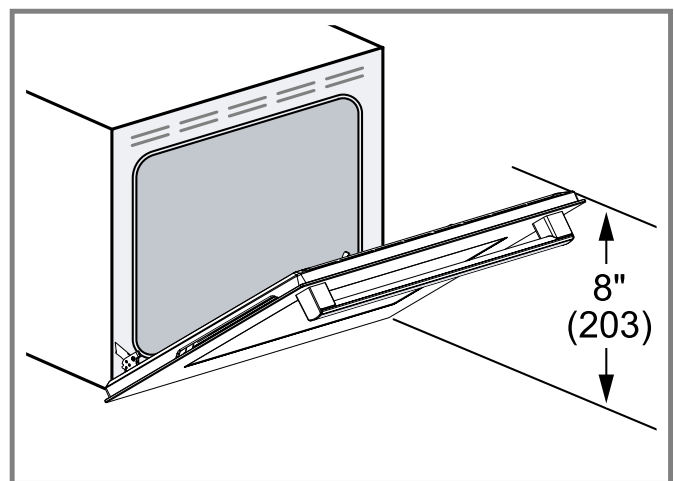
Note: To avoid injury or damage, make sure that you read the above WARNING before attempting to remove the oven door.

1. Open the oven door to its fully open position.
2. Lock the two hinges on the left and right using the locking pin. The locking pins must be fully inserted into the holes in the hinges.



3. **CAUTION** Closing the door by 8" (203 mm) takes the pressure off the spring. If this is not done, the door can still be removed but the latch will now slam shut and may pinch or cut your hand.

Close the oven door until it catches on the hinge stop levers, locking the hinges at the correct angle for door removal. The door can be removed when it is pulled up from the open position by about 8 inches (203 mm). This takes the tension off the spring-loaded hinges so that the door can be easily lifted out.



4. The door is heavy. Use both hands to firmly grip it by the sides. Do not grip the door by the handle. Keeping the angle of the door the same, lift the door straight up approximately 3/4" (19 mm) to unhook the hinges from the slots. Pull the door out towards you until the hinges are clear of the oven housing.

5. Place the door in a convenient and stable location for cleaning.
6. Refit the door in the reverse order in which it was removed.

Note: Do not throw away the locking pins. Keep them in a safe place. They will be needed anytime the door is removed from the appliance.

Replacing an oven light

⚠ WARNING

WHEN REPLACING AN OVEN LIGHT:

- ▶ Make sure the appliance and lights are cool and that the power to the appliance has been turned off before replacing the light bulb(s). Failure to do so may result in electrical shock or burns.
 - ▶ Wear gloves.
 - ▶ The lenses must be in place when using the appliance.
 - ▶ The lenses serve to protect the light bulb from breaking.
 - ▶ The lenses are made of glass. Handle carefully to avoid breaking. Broken glass may cause an injury.
 - ▶ The light socket is live when the door is open.
- Light socket is live when door is open if main power supply is not turned off.
- ▶ Turn off main power supply at the service panel before changing the light bulbs.

Bulb specifications:

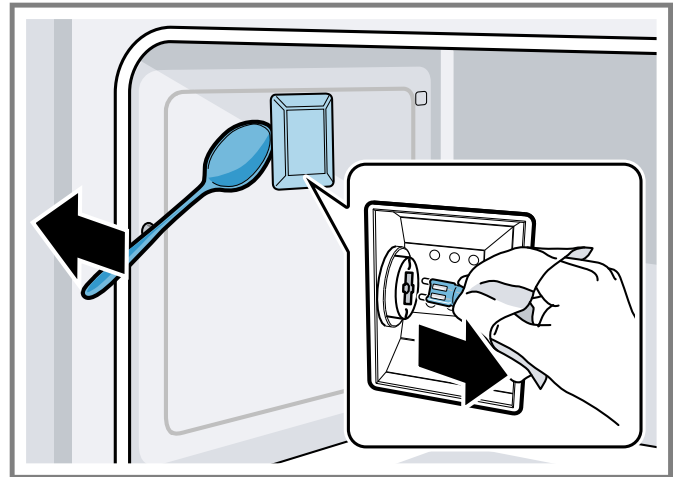
- Voltage: 120 V
- Power: 40 W
- Fitting: G9
- Temperature resistance: 575°F (300°C)

To change the bulb

1. Allow the oven cavity to cool down.
2. Open the appliance door.
3. Place a cloth in the oven cavity to prevent damage.
4. Remove the racks and rack guides.
5. Remove the glass cover.

To do this, open the glass cover at the front with your hand. Should you experience difficulties removing the glass cover, use a spoon to help.

6. Remove the oven light bulb.



7. Replace the oven light bulb with a bulb of the same type.
8. Replace the glass cover for the oven light bulb.
9. Replace rack guides and racks.
10. Remove the cloth.
11. Switch the circuit breaker back on.
12. Check that the oven light is working again.

10 Cooking charts

The charts can be used as a guide. Follow the package or recipe directions.

10.1 Baked goods/entrees

The charts can be used as a guide. Follow package or recipe directions.

Cakes

Food	Recommended cooking mode	Oven temperature in °F (°C)	Preheat oven	Number of racks	Rack position	Time in min.	Pan size and type
Angel food	bake	350 (175)	Yes	Single	2, 3	45-55	10" tube
Angel food	conv bake	325 (160)	Yes	Single	2, 3	45-55	10" tube
Bundt® ¹	bake	350 (175)	Yes	Single	2, 3	55-65	12-cup Bundt® ¹
Bundt® ¹	conv bake	325 (160)	Yes	Single	2, 3	55-65	12-cup Bundt® ¹
Cupcakes	bake	375 (190)	Yes	Single	2, 3	15-20	12-cup muffin pan
Cupcakes	conv bake	350 (175)	Yes	Single	2, 3	15-20	12-cup muffin pan
Cupcakes	multi rack	350 (175)	Yes	Multiple	2 & 4	15-20	12-cup muffin pan
Round layers	bake	350 (175)	Yes	Single	2, 3	25-35	8" or 9" round
4 Round layers	multi rack	325 (160)	Yes	Multiple	2 & 4	25-35	8" or 9" round
Sheet cake	bake	350 (175)	Yes	Single	2, 3	30-35	13" x 9" x 2"
Apple Pie	bake	375 (190)	Yes	Single	2, 3	50-55	9" pie dish

¹ These marks are registered trademarks of their respective owners. All other trademarks are trademarks of BSH Home Appliances Corporation or its affiliated companies.

Cookies

Food	Recommended cooking mode	Oven temperature in °F (°C)	Preheat oven	Number of racks	Rack position	Time in min.	Pan size and type
Brownies	bake	350 (175)	Yes	Single	2, 3	30-45	8" or 9" square
Chocolate chips	bake	350 (175)	Yes	Single	2, 3	9-15	Cookie sheet
Chocolate chips	multi rack	350 (175)	Yes	Multiple	2 & 4	9-15	Cookie sheet
Cookie bars	conv bake	350 (175)	Yes	Single	2, 3	20-35	8" or 9" square
Sugar cookies	bake	375 (190)	Yes	Single	3	8-12	Cookie sheet
Sugar cookies	multi rack	350 (175)	Yes	Multiple	2 & 4	8-12	Cookie sheet

Entrées

Food	Recommended cooking mode	Oven temperature in °F (°C)	Preheat oven	Number of racks	Rack position	Time in min.	Pan size and type
Casseroles	bake	recipe temp.	Yes	Single	2, 3	recipe time	Casserole dish
Quiche	bake	375 (190)	Yes	Single	2, 3	40-55	Quiche dish
Soufflé	bake	350 (175)	Yes	Single	2, 3	35-50	Soufflé dish
Vegetables	conv roast	recipe temp.	No	Single	2, 3	recipe time	Casserole dish

Pastries

Food	Recommended cooking mode	Oven temperature in °F (°C)	Preheat oven	Number of racks	Rack position	Time in min.	Pan size and type
Cream puffs	multi rack	350 (175)	Yes	Single	2, 3	30-40	Cookie sheet
Cream puffs	multi rack	350 (175)	Yes	Multiple	2 & 4	35-45	Cookie sheet
Puff pastry	conv bake multi rack	375 (190)	Yes	Single	2, 3	15-25	Cookie sheet

Pies

Food	Recommended cooking mode	Oven temperature in °F (°C)	Preheat oven	Number of racks	Rack position	Time in min.	Pan size and type
1 Crust shell	bake	450 (230)	Yes	Single	2, 3	10-20	9" pie pan
1 Crust shell	conv bake	425 (220)	Yes	Single	2, 3	10-20	9" pie pan
2 Crust, fruit	bake	375 (190)	Yes	Single	2, 3	45-60	9" pie pan
2 Crust, fruit	conv bake	350 (175)	Yes	Single	2, 3	45-60	9" pie pan
Frozen	bake	400 (205)	Yes	Single	2, 3	package time	Package directions
Pecan	bake	350 (175)	Yes	Single	2, 3	45-60	9" pie pan
Pumpkin	bake	350 (175)	Yes	Single	2, 3	40-60	9" pie pan

Pizza

Food	Recommended cooking mode	Oven temperature in °F (°C)	Preheat oven	Number of racks	Rack position	Time in min.	Pan size and type
Baking stone	bake pizza	500 (260)	Yes	Single	2	recipe time	Baking stone
Fresh	pizza	425 (220)	Yes	Single	1, 2	10-20	Baking stone, Pizza pan
Thick crust, frozen	pizza	on package	Yes	Single	on package	recipe time	Package directions

Food	Recommended cooking mode	Oven temperature in °F (°C)	Preheat oven	Number of racks	Rack position	Time in min.	Pan size and type
Thin crust, frozen	pizza	on package	Yes	Single	on package	recipe time	Package directions

Quick breads

Food	Recommended cooking mode	Oven temperature in °F (°C)	Preheat oven	Number of racks	Rack position	Time in min.	Pan size and type
Biscuits	bake	350 (175)	Yes	Single	3	15-20	Cookie sheet
Biscuits	multi rack	325 (160)	Yes	Multiple	2 & 4	15-20	Cookie sheet
Loaf	bake	375 (190)	Yes	Single	2, 3	50-60	8" x 4" loaf pan
Muffins	bake	375 (190)	Yes	Single	2, 3	18-30	12-cup muffin pan
Muffins	conv bake	350 (175)	Yes	Single	2, 3	18-30	12-cup muffin pan
Muffins	multi rack	350 (175)	Yes	Multiple	2 & 4	20-35	12-cup muffin pan

Yeast breads

Food	Recommended cooking mode	Oven temperature in °F (°C)	Preheat oven	Number of racks	Rack position	Time in min.	Pan size and type
Dinner rolls	bake	350 (175)	Yes	Single	2, 3	15-30	Cookie sheet
Dinner rolls	multi rack	325 (160)	Yes	Multiple	2 & 4	20-35	Cookie sheet
Loaf	conv bake multi rack	400 (205)	Yes	Single	2, 3	25-40	9" x 5" loaf pan
Sweet rolls	conv bake multi rack	350 (175)	Yes	Single	2, 3	20-30	Cookie sheet
Focaccia bread	bake	450 (230)	Yes	Single	2	10-20	Cookie sheet

Frozen food

Food	Recommended cooking mode	Oven temperature in °F (°C)	Preheat oven	Number of racks	Rack position	Time in min.	Pan size and type
Lasagne	bake	400 (205)	Yes	Single	1	package time	Package directions

10.2 Meats

The charts can be used as a guide. Follow package or recipe directions.

Roasting times are approximate and may vary depending on the shape of the meat.

Note: Internal food temperatures are USDA recommended temperatures as measured by a digital cooking thermometer.

Beef

Food	Recommended cooking mode	Oven temperature in °F (°C)	Rack position	Doneness, internal temperature in °F (°C)	Time in min.	Food covered	Stand time in min.
Hamburgers, 0.3 lbs each	broil	High	5	Medium, 160 (71)	Side 1: 8; Side 2: 7	No	none
Rib eye, boneless, 3-3.5 lbs	conv roast	325 (160) ¹	2, 3	Medium-rare, 145 (63)	27-31 min/ lb	No	10-15
Rib eye, boneless, 3-3.5 lbs	conv roast	325 (160) ¹	2, 3	Medium, 160 (71)	30-38 min/ lb	No	10-15
Rump, eye, sirloin, boneless, 3-4 lbs	conv roast	325 (160)	2, 3	Medium-rare, 145 (63)	18-33 min/ lb	No	10-15
Steak, 1" thick	broil	High	5	Medium-rare, 145 (63)	Side 1: 5-8; Side 2: 4-6	No	none
Tenderloin, 3-4 lbs	conv roast	425 (220)	2, 3	Medium-rare, 145 (63)	15-24 min/ lb	No	10-15

¹ Preheat the appliance

Lamb

Food	Recommended cooking mode	Oven temperature in °F (°C)	Rack position	Doneness, internal temperature in °F (°C)	Time in min.	Food covered	Stand time in min.
Leg, boneless, 2-4.5 lbs	conv roast	325 (160) ¹	2, 3	Medium-rare, 145 (63)	25-30 min/ lb	No	10-15
Leg, boneless, 2-4.5 lbs	conv roast	325 (160) ¹	2, 3	Medium, 160 (71)	30-35 min/ lb	No	10-15
Chops, 1" thick	broil	High ¹	5	Medium-rare, 145 (63)	Side 1: 4-6; Side 2: 4-5	No	10-15
Chops, 1" thick	broil	High ¹	5	Medium, 160 (71)	Side 1: 5-7; Side 2: 5-6	No	none

¹ Preheat the appliance

Pork

Food	Recommended cooking mode	Oven temperature in °F (°C)	Rack position	Doneness, internal temperature in °F (°C)	Time in min.	Food covered	Stand time in min.
Loin roast, 2.2-6.5 lbs	conv roast	350 (175) ¹	2	Medium, 160 (71)	16-25 min/ lb	No	none
Chops, 0.3-0.4 lbs	broil	High	5	160 (71)	Side 1: 8-12; Side 2: 6-10	No	none
Sausage, fresh	broil	High	5	170 (75)	Side 1: 5-7; Side 2: 4-6	No	none
Tenderloin, 2-3 lbs	conv roast	425 (220)	2	Medium, 160 (71)	15-28 min/ lb	No	none

¹ Preheat the appliance

Poultry

Stuffed turkey requires additional roasting time. The minimum safe temperature for stuffing in poultry is 165 °F (75 °C).

Food	Recommended cooking mode	Oven temperature in °F (°C)	Rack position	Doneness, internal temperature in °F (°C)	Time in min.	Food covered	Stand time in min.
Chicken breasts, bone-in	broil	High	4	170 (75)	Side 1: 15-20; Side 2: 13-18	No	none
Chicken thighs, bone-in	broil	High	4	180 (82)	Side 1: 12-15; Side 2: 9-11	No	none
Chicken, whole, 3-6.6 lbs	conv roast	375 (190) ¹	2	180 (82)	15-25 min/ lb	No	none
Cornish game hens, 1-1½" lbs	conv roast	350 (175)	2	180 (82)	45-75 min total time	No	none
Turkey breast, 4-8 lbs	conv roast	325 (160) ¹	2, 3	180 (82)	17-25 min/ lb	Foil to prevent over- browning	none
Turkey, unstuffed, 12-19 lbs	conv roast	325 (160) ¹	2	180 (82)	7-15 min/ lb	Foil to prevent over- browning	none
Turkey, unstuffed, 20-30 lbs	conv roast	325 (160) ¹	2	180 (82)	7-15 min/ lb	Foil to prevent over- browning	none

¹ Preheat the appliance

Seafood

Food	Recommended cooking mode	Oven temperature in °F (°C)	Rack position	Doneness, internal temperature in °F (°C)	Time in min.	Food covered	Stand time in min.
Fish filets	broil	High ¹	4	145 (60)	Side 1: 11-15; Side 2: 11-15	No	none

¹ Preheat the appliance

11 Troubleshooting

You can eliminate minor issues on your appliance yourself. Please read the information on eliminating issues before contacting Customer Service. This may avoid unnecessary repair costs.

WARNING

Improper repairs are dangerous.

- ▶ Only authorized service providers should repair the appliance.

- ▶ If the appliance has an issue, call Customer Service.

WARNING

Improper repairs are dangerous.

- ▶ Repairs to the appliance should only be performed by authorized service providers.
- ▶ Only original spare parts may be used to repair the appliance.

Issue	Cause and troubleshooting
The oven door feels hotter than before, after the oven door glass has been removed for cleaning.	The oven door glass is not inserted the right way round. <ul style="list-style-type: none"> ▶ Check if the oven door glass is inserted the right way round (low-E symbol can be read).
The oven door is not balanced.	The inner door glass is missing or has not been inserted during reassembly. <ul style="list-style-type: none"> ▶ Check if the inner door glass is present or has been inserted during reassembly.
The cookware produces a crackling noise.	The cookware is made from different multilayered materials <ul style="list-style-type: none"> ▶ Refer to the section on Cooking with Induction to learn more about suitable cookware. → <i>Page 20</i>
	You are using cookware of different sizes and different materials. <ul style="list-style-type: none"> ▶ Refer to the section on Cooking with Induction to learn more about suitable cookware. → <i>Page 20</i>
The cooktop SpeedBoost® function cannot be activated or turns off before 10 minutes have elapsed.	The cooking zone is too hot. <ol style="list-style-type: none"> 1. Let the cooking zone cool down. 2. Set the SpeedBoost® function again.
The display is frozen or does not respond.	Various causes are possible. <ol style="list-style-type: none"> 1. Check if the panel lock function is active. <ul style="list-style-type: none"> – Deactivate the panel lock. <ul style="list-style-type: none"> → <i>"Deactivating the panel lock", Page 23</i> 2. If the panel lock function is not active: <ul style="list-style-type: none"> – Disconnect the appliance from the power supply, using the corresponding switch on the domestic switch board. – Wait a couple of seconds and reconnect the appliance to the power supply.

Issue	Cause and troubleshooting
No display information	The power supply has been disconnected. <ul style="list-style-type: none"> ▶ Check whether the lighting in your kitchen or other appliances in the room are working.
	The appliance has not been connected as shown in the circuit diagram. <ol style="list-style-type: none"> 1. Disconnect the appliance from the power supply. 2. Make sure the appliance has been connected as shown in the circuit diagram.
	There is an electronics fault <ul style="list-style-type: none"> ▶ If the fault cannot be eliminated, call Customer Service.
The power level in one of the cooking zones is blinking.	The maximum available power of the cooktop has been exceeded. <ol style="list-style-type: none"> 1. Turn the control knob to a lower power level within 3 seconds. 2. If you do not set a different power level, the power level of the affected cooking zone will be reduced automatically. <ul style="list-style-type: none"> → <i>"Power management", Page 20</i>

Issue	Cause and troubleshooting
F B + H / h and cooking zones not heating	The cooking zone has been operating continuously for an extended period of time without interaction. The automatic time limitation has been triggered. <ul style="list-style-type: none"> ▶ Touch any control element. ✓ You can set the cooking zone and continue to cook.
U400	The supply voltage is incorrect. It is outside the normal operating range. <ul style="list-style-type: none"> ▶ Contact your electrical utility provider.
U	The cooking zone is unable to detect cookware. <ol style="list-style-type: none"> 1. Place cookware on the cooking zone within 30 seconds after setting a power level. 2. If cookware is present on the cooking zone, check if the cookware is suitable for induction cooking. → "Induction cooking", Page 20
-	The set power level can not be executed. <ul style="list-style-type: none"> ▶ Turn the control knob to 0 and then set a power level again.
r	The control knob has been pushed in for more than 30 seconds. <ul style="list-style-type: none"> ▶ Make sure the control knob is released after setting the power level.

12 Disposal

12.1 Disposal of your old appliance

Environmentally compatible disposal allows valuable raw materials to be recycled.

- ▶ Dispose of the appliance in an environmentally responsible manner.

Information about current disposal methods can be obtained from your specialist dealer or local authority.

13 Customer Service

With any warranty repair, we will make sure your appliance is repaired by an authorized service provider using genuine replacement parts. We use only genuine replacement parts for all repairs.

Detailed information on the warranty period and terms of warranty can be found in the Statement of Limited Product Warranty, from your retailer, or on our website.

If you contact Customer Service, you will need the model number (E-Nr.) and the production number (FD) of your appliance.

USA:

1-800-944-2904

www.bosch-home.com/us/owner-support/get-support

www.bosch-home.com/us/shop

CA:

1-800-944-2904

www.bosch-home.ca/en/service/get-support

www.bosch-home.ca/en/service/cleaners-and-accessories

13.1 Model number (E-Nr.) and production number (FD)

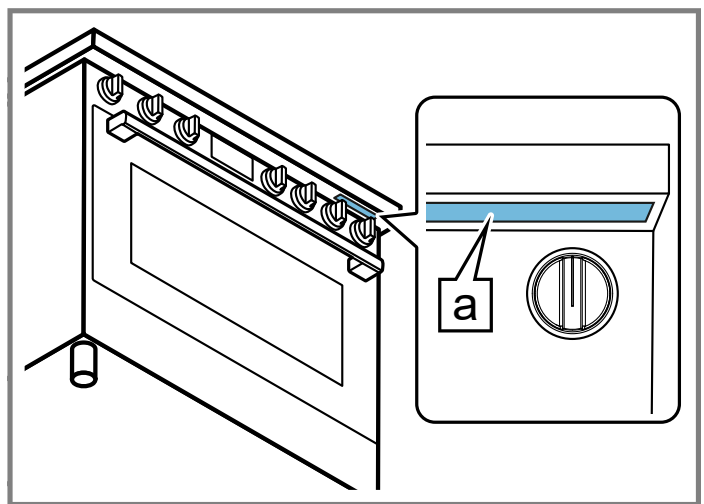
You can find the model number (E-Nr.) and the production number (FD) on the appliance's rating plate.

Making a note of your appliance's details and the Customer Service telephone number will enable you to find them again quickly.

13.2 Rating plate location

You can find the rating plate of your appliance:

- on the underside of the projecting control panel.
- on the rear of the appliance.



a Rating plate

14 STATEMENT OF LIMITED PRODUCT WARRANTY

14.1 What this warranty covers & Who it applies to

The limited warranty provided by BSH Home Appliances ("Bosch") in this Statement of Limited Product Warranty applies only to the Bosch appliance sold to you ("Product"), provided that the Product was purchased:

- For your normal, household (non-commercial) use, and has in fact at all times only been used for normal household purposes.
- New at retail from a BSH authorized dealer or directly from BSH (not a display, "as is", or previously returned model), and not for resale, or commercial use.
- Within the United States or Canada, and has at all times remained within the country of original purchase.

The warranties stated herein apply to the original purchaser of the product warranted herein and to each succeeding owner of the product purchased for ordinary home use during the term of the warranty.

Please make sure to register your Product; while not necessary to effectuate warranty coverage, it is the best way for Bosch to notify you in the unlikely event of a safety notice or product recall.

14.2 How long the warranty lasts

Bosch warrants that the Product is free from defects in materials and workmanship for a period of three hundred and sixty-five (365) days from the date of the original delivery. The foregoing timeline begins to run upon the date of the original delivery, and shall not be stalled, tolled, extended, or suspended, for any reason whatsoever. This Product is also warranted to be free from **cosmetic** defects in material and workmanship (such as scratches of stainless steel, paint/porcelain blemishes, chips, dents, or other damage to the finish) of the Product, for a period of thirty (30) days from the date of delivery or closing date for new construction. This **cosmetic** warranty excludes slight color variations due to inherent differences in painted and porcelain parts, as well as differences caused by kitchen lighting, product location, or other similar factors. This **cosmetic** warranty specifically excludes any display, floor, "As Is", or "B" stock appliances.

14.3 Repair/replace as your exclusive remedy

During this warranty period, Bosch or one of its authorized service providers will repair your Product without charge to you (subject to certain limitations stated herein) if your Product proves to have been manufactured with a defect in materials or workmanship. If reasonable attempts to repair the Product have been made without success, then Bosch will replace your Product (upgraded models may be available to you, in Bosch's sole discretion, for an additional charge). Nothing in this warranty requires

damaged or defective parts to be replaced with parts of a different type or design than the original part. All removed parts and components shall become the property of Bosch at its sole option. All replaced and/or repaired parts shall assume the identity of the original part for purposes of this warranty and this warranty shall not be extended with respect to such parts. Bosch's sole liability and responsibility hereunder is to repair manufacturer-defective Product only, using a Bosch authorized service provider during normal business hours. For safety and property damage concerns, Bosch highly recommends that you do not attempt to repair the Product yourself, or use a non-authorized service provider; Bosch will have no responsibility or liability for damage resulting from repairs or work performed by a non-authorized service provider. Authorized service providers are those persons or companies that have been specially trained on Bosch products, and who possess, in Bosch's opinion, a superior reputation for customer service and technical ability (note that they are independent entities and are not agents, partners, affiliates or representatives of Bosch). Nevertheless, taking your product to be serviced by a repair shop that is not affiliated with or an authorized dealer of Bosch will not void this warranty. Also, using third-party parts will not void this warranty. Notwithstanding the foregoing, Bosch will not incur any liability, or have responsibility, for the Product if it is located in a remote area (more than 100 miles from an authorized service provider) or is reasonably inaccessible, hazardous, threatening, or treacherous locale, surroundings, or environment; in any such event, if you request, Bosch would still pay for labor and parts and ship the parts to the nearest authorized service provider, but you would still be fully liable and responsible for any travel time or other special charges by the service company, assuming they agree to make the service call. Further, to the extent you have installed the Product in a difficult-to-access location or have otherwise installed temporary or permanent fixtures that create barriers to accessing or removing the Product, Bosch will not incur any liability for, or have responsibility, for work or costs associated with

moving the Product or otherwise creating access to the Product in order to repair or replace it. All such costs shall be your sole responsibility.

14.4 Out of warranty product

Bosch is under no obligation, at law or otherwise, to provide you with any concessions, including repairs, prorates, or Product replacement, once this warranty has expired.

14.5 Warranty exclusions

The warranty coverage described herein excludes all defects or damage that are not the direct fault of Bosch, including without limitation, one or more of the following:

- Use of the Product in anything other than its normal, customary and intended manner (including without limitation, any form of commercial use, use or storage of an indoor product outdoors, use of the Product in conjunction with air or water-going vessels).
- Any party's willful misconduct, negligence, misuse, abuse, accidents, neglect, improper operation, failure to maintain, improper or negligent installation, tampering, failure to follow operating instructions, mishandling, unauthorized service (including selfperformed "fixing" or exploration of the appliance's internal workings).
- Adjustment, alteration or modification of any kind.
- A failure to comply with any applicable state, local, city, or county electrical, plumbing and/or building codes, regulations, or laws, including failure to install the product in strict conformity with local fire and building codes and regulations.
- Ordinary wear and tear, spills of food, liquid, grease accumulations, or other substances that accumulate on, in, or around the Product.
- Any external, elemental and/or environmental forces and factors, including without limitation, rain, wind, sand, floods, fires, mud slides, freezing temperatures, excessive moisture or extended exposure to humidity, lightning, power surges, structural failures surrounding the appliance, and acts of God.
- Service calls to correct the installation of your Product, to instruct you how to use your Product, to replace house fuses or correct house wiring or plumbing.
- Removal and replacement of trim or decorative panels that interfere with servicing the Product.
- Damage or defects caused by labor or parts installed by any non-authorized service provider, unless approved by Bosch before service is performed.

In no event shall Bosch have any liability or responsibility whatsoever for damage to surrounding property, including cabinetry, floors, ceilings, and other structures or objects around the Product. Also excluded from this warranty are Products, on which the serial numbers have been altered, defaced, or removed; service visits to teach you how to use the Product, or visits where there is nothing wrong with the Product; correction of installation problems (you are solely responsible for any structure and setting for the Product, including all electrical, plumbing or other

connecting facilities, for proper foundation/flooring, and for any alterations including without limitation cabinetry, walls, floors, shelving, etc.); and resetting of breakers or fuses TO THE EXTENT ALLOWED BY LAW, THIS WARRANTY SETS OUT YOUR EXCLUSIVE REMEDIES WITH RESPECT TO PRODUCT, WHETHER THE CLAIM ARISES IN CONTRACT OR TORT (INCLUDING STRICT LIABILITY, OR NEGLIGENCE) OR OTHERWISE. THIS WARRANTY IS IN LIEU OF ALL OTHER WARRANTIES, WHETHER EXPRESS OR IMPLIED. ANY WARRANTY IMPLIED BY LAW, WHETHER FOR MERCHANTABILITY OR FITNESS FOR A PARTICULAR PURPOSE, OR OTHERWISE, SHALL BE EFFECTIVE ONLY FOR THE PERIOD THAT THIS EXPRESS LIMITED WARRANTY IS EFFECTIVE. IN NO EVENT WILL THE MANUFACTURER BE LIABLE FOR CONSEQUENTIAL, SPECIAL, INCIDENTAL, INDIRECT, "BUSINESS LOSS", AND/OR PUNITIVE DAMAGES, LOSSES, OR EXPENSES, INCLUDING WITHOUT LIMITATION TIME AWAY FROM WORK, HOTELS AND/OR RESTAURANT MEALS, REMODELLING EXPENSES IN EXCESS OF DIRECT DAMAGES WHICH ARE DEFINITELY CAUSED EXCLUSIVELY BY BOSCH, OR OTHERWISE. SOME STATES DO NOT ALLOW THE EXCLUSION OR LIMITATION OF INCIDENTAL OR CONSEQUENTIAL DAMAGES, AND SOME STATES DO NOT ALLOW LIMITATIONS ON HOW LONG AN IMPLIED WARRANTY LASTS, SO THE ABOVE EXCLUSIONS OR LIMITATIONS MAY NOT APPLY TO YOU. THIS WARRANTY GIVES YOU SPECIFIC LEGAL RIGHTS, AND YOU MAY ALSO HAVE OTHER RIGHTS WHICH VARY FROM STATE TO STATE.

No attempt to alter, modify or amend this warranty shall be effective unless authorized in writing by an officer of BSH.

14.6 Obtaining warranty service

To obtain warranty service for your product, you should contact Bosch Customer Support at 1-800-944-2904 to schedule a repair.

14.7 Product information

For handy reference, copy the information below from the rating plate. Keep your invoice and/or delivery documents for warranty validation.

Model number (E-Nr.)

Production number
(FD)

Date of delivery

Table des matières

1 IMPORTANTES CONSIGNES DE SÉCURITÉ	44	8.6 Tirer le meilleur parti de votre four	66
1.1 Définitions des termes de sécurité	44	8.7 Paramètres de base - Four.....	69
1.2 Informations générales.....	44	9 Nettoyage et entretien	70
1.3 Utilisation prévue	44	9.1 Nettoyage et entretien – Table de cuisson	70
1.4 Restriction sur le groupe d'utilisateurs.....	44	9.2 Nettoyage et entretien – Four	72
1.5 Installation et entretien appropriés	44	10 Tableaux de cuisson	77
1.6 Utilisation sécuritaire	46	10.1 Produits de boulangerie/entrées.....	77
1.7 Sécurité des enfants	50	10.2 Viandes	80
1.8 Interférence électromagnétique.....	50	11 Dépannage	84
1.9 Mises en garde conformément à la proposition 65 de l'État de Californie	50	12 Élimination	85
2 Prévenir les bris matériels	51	12.1 Éliminer un appareil usagé	85
2.1 Prévenir les dommages à la cavité du four.....	51	13 Service à la clientèle	85
2.2 Éviter d'endommager la table de cuisson.....	51	13.1 Numéro de modèle (E-Nr.) et numéro de fabrication (FD)	85
3 Protection de l'environnement et économies	52	13.2 Emplacement de la plaque signalétique	85
3.1 Mise au rebut de l'emballage	52	14 ÉNONCÉ DE LA GARANTIE LIMITÉE DU PRODUIT	86
3.2 Économie d'énergie lors de l'utilisation du four.....	52	14.1 Couverture de la garantie limitée.....	86
3.3 Économie d'énergie lors de l'utilisation de la table de cuisson.....	52	14.2 Durée de la garantie.....	86
4 Description de l'appareil	53	14.3 Réparation ou remplacement : votre recours exclusif	86
4.1 Électroménager.....	53	14.4 Produit hors garantie	87
4.2 Panneaux de commande	55	14.5 Exclusions de garantie	87
5 Accessoires	57	14.6 Obtention du service de garantie.....	88
5.1 Autres accessoires.....	57	14.7 Information sur le produit.....	88
5.2 Montage du jeu de rails télescopiques	57		
5.3 Insertion des grilles	57		
6 Avant d'utiliser pour la première fois	59		
6.1 Fixer le temps	59		
6.2 Nettoyage de l'appareil avant sa première utilisation.....	59		
6.3 Nettoyage des accessoires	60		
7 Fonctionnement de la table de cuisson	60		
7.1 Réglage du niveau de puissance	60		
7.2 Éteindre la zone de cuisson	60		
7.3 Témoin de chaleur résiduelle	60		
7.4 CombiZone	60		
7.5 Zone de réchauffement	61		
7.6 SpeedBoost®	62		
7.7 Verrouillage du panneau	62		
7.8 Limitation automatique du temps.....	62		
7.9 Gestion de la puissance	62		
7.10 Cuisson par induction.....	63		
8 Fonctionnement du four	64		
8.1 Mise en marche du four	64		
8.2 Options de réglage du temps	64		
8.3 Sonde à viande à température interne	65		
8.4 Mode Sabbath.....	66		
8.5 Verrouillage du panneau	66		



IMPORTANTES CONSIGNES DE SÉCURITÉ

LIRE ET CONSERVER CES INSTRUCTIONS

Lisez toutes les instructions attentivement avant l'utilisation. Ces précautions réduiront le risque d'électrocution, d'incendie et de blessure pour les personnes utilisant l'appareil. Lorsque vous utilisez des appareils électroménagers, il importe de suivre les précautions de sécurité de base, y compris celles indiquées dans les pages suivantes.

1.1 Définitions des termes de sécurité

Vous trouverez ici des explications sur les mots de signalisation de sécurité utilisés dans ce manuel.

AVERTISSEMENT

Signale un risque de mort ou de blessure grave si l'avertissement n'est pas respecté.

MISE EN GARDE

Signale un risque de blessures mineures ou modérées si l'avertissement n'est pas respecté.

AVIS :

Ceci indique que la non-conformité à cet avis de sécurité peut entraîner des dégâts matériels ou endommager l'appareil.

Remarque : Ceci vous signale des informations et/ou indications importantes.

1.2 Informations générales

Vous trouverez ici des informations générales sur ce manuel.

- Veuillez lire attentivement ce manuel.
- Respectez les consignes de sécurité et les avertissements.
- Conservez le manuel et les informations sur le produit dans un endroit sûr pour référence future ou pour le prochain propriétaire.
- Vérifiez que l'appareil n'est pas endommagé après l'avoir déballé. Ne branchez pas l'appareil s'il a été endommagé pendant le transport.

1.3 Utilisation prévue

Seul un électricien qualifié peut brancher des appareils sans prise. Le fabricant n'est pas responsable des dommages causés par des connexions incorrectes. Veuillez consulter la déclaration de garantie limitée du produit → *Page 86*.

Utilisez uniquement cet appareil :

- pour préparer des aliments et des boissons.
- sous surveillance. Surveillez constamment les processus de cuisson de courte durée.
- dans un domicile privé et dans une pièce fermée de l'environnement domestique.

N'utilisez pas l'appareil :

- sur des bateaux ou dans des véhicules.
- comme chauffage d'appoint.
- Cet appareil n'est pas conçu pour fonctionner avec une minuterie externe ou une télécommande externe.

1.4 Restriction sur le groupe d'utilisateurs

Cet appareil n'est pas destiné à être utilisé par des personnes (y compris des enfants) présentant des capacités physiques, sensorielles ou mentales réduites, à moins qu'elles n'aient été informées de la manière d'utiliser l'appareil par une personne responsable de leur sécurité.

Lorsque les enfants sont assez âgés pour utiliser l'appareil, il incombe aux parents ou tuteurs légaux de veiller à ce qu'ils soient formés aux pratiques sécuritaires par des personnes qualifiées.

Les enfants doivent être surveillés afin de s'assurer qu'ils ne jouent pas avec l'appareil.

Ne laissez pas les enfants jouer avec l'appareil.

1.5 Installation et entretien appropriés

AVERTISSEMENT

DANGER DE RENVERSEMENT! Un enfant ou un adulte peut renverser le four et être tué.



- Installer le dispositif anti-basculement sur la structure et / ou le four.



IMPORTANTES CONSIGNES DE SÉCURITÉ

LIRE ET CONSERVER CES INSTRUCTIONS

- ▶ Vérifiez que le dispositif anti-basculement a été correctement installé et engagé.
- ▶ Engagez le four sur le dispositif anti-basculer. Assurez-vous que le dispositif anti-basculer est réengagé lorsque la cuisinière est déplacée.
- ▶ Réengager le dispositif anti-basculement si la cuisinière est déplacée. Ne pas utiliser la cuisinière sans le dispositif anti-basculer en place et engagé.
- ▶ Voir les instructions d'installation pour plus de détails.
- ▶ Non-respect des instructions de ce manuel peut entraîner la mort ou des brûlures graves pour les enfants et les adultes.
- ▶ Vérifiez que le support anti-basculement est correctement installé et utilisé. Inclinez délicatement la cuisinière vers l'avant de l'arrière pour s'assurer que le support anti-basculer s'engage dans la patte de la cuisinière et empêche le renversement. La portée ne doit pas dépasser 1 po (2,5 cm).

AVERTISSEMENT

En cas de dysfonctionnement, il peut s'avérer nécessaire de couper l'alimentation.

- ▶ Demandez à l'installateur de vous montrer le disjoncteur ou le fusible. Identifiez sa position pour pouvoir le retrouver facilement.

Pour éviter les risques d'électrocution, avant de réparer l'appareil, coupez l'alimentation au niveau du panneau de service et verrouillez le panneau pour éviter que l'alimentation ne soit accidentellement activée.

Installation correcte - Une installation ou une mise à la terre incorrecte peut provoquer un choc électrique.

- ▶ L'appareil doit être correctement installé et mis à la terre par un technicien qualifié.
- ▶ Raccordez l'appareil uniquement à une prise de courant correctement mise à la terre.
- ▶ Reportez-vous aux instructions d'installation pour plus de détails.

Entretien par l'utilisateur - Ne réparez ni ne remplacez aucune pièce de l'appareil à moins que ce ne soit spécifiquement recommandé dans ce manuel.

- ▶ Tous les autres services doivent être référés à un fournisseur de services agréé.

La prise d'éclairage est sous tension lorsque la porte est ouverte si l'alimentation principale n'est pas coupée.

- ▶ Coupez l'alimentation électrique principale sur le panneau de service avant de changer les ampoules.

AVERTISSEMENT

S'assurer que l'appareil et l'éclairage sont froids et veiller à couper l'alimentation électrique de l'appareil avant de remplacer la ou les ampoules. Le non-respect de cette précaution pourrait entraîner un choc électrique ou des brûlures.

- ▶ Les lentilles doivent être en place lors de l'utilisation de l'appareil.
- ▶ Les lentilles servent à protéger l'ampoule de la rupture.
- ▶ Les lentilles sont en verre. Manipulez les lentilles avec précaution pour éviter de les endommager. Les éclats de verre peuvent entraîner une blessure.

Le non-respect de ces instructions lors du retrait de la porte du four peut entraîner des blessures ou endommager le produit.

- ▶ Avant de démonter la porte, s'assurer que le four soit froid et que le courant qui l'alimente a été coupé. Le non-respect de cette précaution pourrait entraîner un choc électrique ou des brûlures.
- ▶ La porte du four est lourde et certaines parties sont fragiles. Utilisez les deux mains pour retirer la porte du four.
- ▶ Le devant de la porte est en verre. Manipulez-la avec précaution pour éviter des cassures.
- ▶ Saisir uniquement les côtés de la porte. Ne saisissez pas la poignée. Il peut osciller dans votre main et provoquer des dommages ou des blessures. Si la porte du four n'est pas saisie fermement et correctement, il y a un risque de blessure ou de dommage à l'appareil.
- ▶ Pour éviter toute blessure causée par l'enclenchement soudain du support de charnière, s'assurer que les deux leviers sont bien enclenchés avant d'enlever la porte.
- ▶ Ne forcez pas la porte pour l'ouvrir ou la fermer. La charnière pourrait être endommagée et provoquer des dommages ou des blessures.
- ▶ Ne pas déposer la porte sur des objets acérés ou pointus, car ils risquent de briser la vitre. Posez-la sur une surface plane et lisse, positionnée de manière à ce que la porte ne puisse pas tomber.

AVERTISSEMENT

Si le cordon d'alimentation est endommagé, il doit être remplacé par le fabricant, son fournisseur de services agréé ou des personnes qualifiées similaires afin d'éviter tout danger.



IMPORTANTES CONSIGNES DE SÉCURITÉ

LIRE ET CONSERVER CES INSTRUCTIONS

AVERTISSEMENT

La graisse et la gras peuvent s'enflammer lorsqu'elles sont chauffées.

- ▶ Gardez le four exempt de graisse.

MISE EN GARDE

En cas d'erreur, l'écran clignote et un signal sonore retentit en permanence.

- ▶ Débranchez l'appareil de l'alimentation électrique et appelez un prestataire de services agréé.

AVERTISSEMENT

Les dysfonctionnements peuvent provoquer des blessures.

- ▶ Ne pas utiliser cet appareil électroménager s'il ne fonctionne pas correctement ou s'il a été endommagé. Contactez un prestataire de services agréé.

1.6 Utilisation sécuritaire

AVERTISSEMENT

Lorsqu'il est correctement entretenu, votre nouvel appareil a été conçu pour être sûr et fiable.

- ▶ Lisez toutes les instructions attentivement avant l'utilisation. Ces consignes réduiront le risque de brûlure, d'électrocution, d'incendie et de blessure pour les personnes utilisant l'appareil.
- ▶ Lorsque vous utilisez des appareils électroménagers, il importe de suivre les précautions de sécurité de base, y compris celles indiquées dans les pages suivantes.

AVERTISSEMENT

Les matériaux surchauffés peuvent provoquer un incendie ou des brûlures.

- ▶ Ne laissez pas le papier d'aluminium, le plastique, le papier ou le tissu entrer en contact avec un élément de surface chaude, un élément chauffant ou une grille.
- ▶ Ne laissez pas les casseroles bouillir à sec.

La cuisson sans surveillance sur une table de cuisson avec de la graisse ou de l'huile peut être dangereuse et peut provoquer un incendie.

- ▶ Ne laissez pas la table de cuisson sans surveillance lors de son utilisation.

Si une matière à l'intérieur du four ou un tiroir-réchaud venait à prendre feu, conservez la porte fermée.

- ▶ Éteindre l'appareil et déconnecter le circuit depuis le boîtier de disjoncteurs.

Un incendie pourrait se produire pendant la cuisson.

- ▶ Toujours avoir un détecteur de fumée en état de marche près de la cuisine.

- ▶ Prière d'avoir à portée de main un extincteur d'incendie en bon état de marche, placé visiblement près de l'appareil électroménager et facile d'accès.

NE couvrez JAMAIS les fentes, les orifices ou les canaux de la sole du four, ni ne couvrez toute une grille avec une matière comme du papier d'aluminium.

- ▶ Cela bloque la circulation de l'air à travers le four.
- ▶ Utiliser une feuille de papier aluminium pourrait également emprisonner la chaleur, entraînant un risque d'incendie.

Si la table de cuisson est près d'une fenêtre, d'une ventilation à air forcé ou d'un ventilateur, assurez-vous que les matériaux inflammables tels que les couvre-fenêtres ne soufflent pas sur ou près des brûleurs ou des éléments chauffants. Ils pourraient prendre feu.

Les incendies de cuisson peuvent se propager s'ils ne s'éteignent pas correctement.

- ▶ Ne jamais utiliser d'eau sur les feux de cuisson.
- AVERTISSEMENT - POUR RÉDUIRE LE RISQUE D'INCENDIE DE GRAISSE SUR LE HAUT DE LA CUISINIÈRE**

- ▶ Ne laissez jamais les unités de surface sans surveillance à des réglages élevés - Les débordements provoquent de la fumée et des débordements graisseux qui peuvent s'enflammer. Chauffez l'huile lentement à feu doux ou moyen.
- ▶ Mettez toujours la hotte en marche lorsque vous cuisinez à feu vif ou lorsque vous flambez des aliments (c.-à-d. Crêpes Suzette, cerise Jubilee, bœuf au poivre flambé).
- ▶ Nettoyez régulièrement les ventilateurs. Ne pas laisser la graisse s'accumuler sur le ventilateur ou sur le filtre.
- ▶ Utilisez une taille de casserole appropriée. Toujours utiliser des ustensiles de cuisson adaptés à la taille de l'élément de surface.

Des flammes peuvent être aspirées dans le système de ventilation.

- ▶ Dans la mesure du possible, ne mettez pas en marche le système de ventilation pendant un feu de table de cuisson. Toutefois, ne passez pas la main à travers le feu pour l'éteindre.

Les poignées des ustensiles de cuisine doivent être tournées vers l'intérieur et ne pas s'étendre sur les unités de surface adjacentes.

- ▶ Pour réduire le risque de brûlures, d'inflammation de matériaux inflammables et de déversements dus à un contact involontaire avec l'ustensiles de cuisine, la poignée d'un ustensile doit être positionnée de manière



IMPORTANTES CONSIGNES DE SÉCURITÉ

LIRE ET CONSERVER CES INSTRUCTIONS

à ce qu'il soit tourné vers l'intérieur et ne dépasse pas les unités de surface adjacentes. Pour réduire le risque de brûlures, d'inflammation de matériaux inflammables et de déversements dus à un contact involontaire avec l'ustensile, la poignée d'un ustensiles de cuisine doit être positionnée de manière à ce qu'il soit tourné vers l'intérieur et ne dépasse pas les unités de surface adjacentes.

Portez des vêtements appropriés. Les vêtements amples ou suspendus, tels que les cravates, les foulards, les bijoux ou les manches pendantes, ne doivent jamais être portés lors de l'utilisation de l'appareil.

- ▶ Attachez les cheveux longs pour qu'ils ne pendent pas.
- ▶ Fixez tous les vêtements amples, etc. avant de commencer.

Utilisez la bonne taille de casserole - Cet appareil est équipé d'une ou plusieurs unités de surface de différentes tailles.

- ▶ Sélectionnez des ustensiles de cuisine à fond plat suffisamment grand pour couvrir la zone de cuisson de l'unité de surface.
- ▶ L'utilisation d'ustensiles de cuisine sous-dimensionnés exposera une partie de la zone de cuisson à un contact direct et peut entraîner l'inflammation des vêtements. Une bonne relation entre les ustensiles de cuisine et la zone de cuisson améliorera également l'efficacité.

Les débordements peuvent provoquer de la fumée et certains aliments et huiles peuvent prendre feu s'ils sont laissés sur des réglages de température élevée.

- ▶ Lorsque vous utilisez une minuterie, surveillez toujours la table de cuisson.
- ▶ Ne laissez rien bouillir ou brûler.

Si la table de cuisson s'éteint automatiquement et ne peut plus être utilisée, elle peut se rallumer involontairement ultérieurement.

- ▶ Coupez le disjoncteur ou le fusible du panneau électrique.
- ▶ Contactez le service à la clientèle pour obtenir de l'aide.

MISE EN GARDE

Le processus de cuisson doit être supervisé. Un processus de cuisson à court terme doit être supervisé en continu.

AVERTISSEMENT

Si l'afficheur ne fonctionne pas quand une zone de cuisson se réchauffe, désarmer le disjoncteur ou retirer le fusible dans le tableau de distribution.

- ▶ Contactez un prestataire de services agréé.

Pour éviter tout risque d'incendie, ne stockez pas d'articles sur les surfaces de cuisson.

Si des vêtements ou des cheveux s'enflamment, rouler par terre immédiatement pour éteindre les flammes. N'utilisez pas d'eau sur les feux de graisse.

- ▶ Étouffer le feu ou la flamme ou utiliser un extincteur à sec chimique ou à mousse.

MISE EN GARDE

Les événements du four sont importants pour la circulation de l'air. Couvrir les événements du four entraînera une surchauffe du four. Reportez-vous à l'aperçu de l'appareil pour connaître l'emplacement des événements du four. → Page 53

- ▶ N'obstruez pas l'événement avant du four ou la garniture d'événement arrière.

AVERTISSEMENT

Utiliser seulement des maniques sèches - Des maniques mouillées ou humides sur des surfaces chaudes peuvent entraîner en brûlures de vapeur.

- ▶ Ne laissez pas les maniques toucher les éléments chauffants chauds.
- ▶ N'utilisez pas de serviette ou autre chiffon volumineux. L'huile chaude peut causer des brûlures et des blessures extrêmes.
- ▶ Utiliser les réglages de température élevée sur la table de cuisson, seulement si nécessaire.
- ▶ Pour éviter les bouillons et les éclaboussures, chauffer l'huile lentement à une température qui ne dépasse pas le réglage faible-moyen.
- ▶ Ne jamais déplacer un récipient rempli d'huile chaude, surtout une friteuse. Attendre qu'elle refroidisse.

Les déversements d'aliments chauds peuvent provoquer des brûlures.

- ▶ Tenir la poignée de la casserole en mélangeant ou en retournant l'aliment. Cela aide à prévenir les éclaboussures et les mouvements de la casserole.

NE PAS TOUCHER LES UNITÉS DE SURFACE OU LES ZONES À PROXIMITÉ DES UNITÉS. Les éléments de surface peuvent être chauds, même s'ils sont foncés. Les zones à proximité des éléments peuvent devenir suffisamment chaudes pour causer des brûlures.

- ▶ Pendant et après l'utilisation, ne touchez pas et ne laissez pas les vêtements, les maniques ou autres matériaux inflammables entrer en contact avec les unités de surface ou les zones proches des unités avant d'avoir suffisamment de temps pour refroidir. Parmi ces zones se trouvent la table de cuisson et les zones faisant face à la table de cuisson.



IMPORTANTES CONSIGNES DE SÉCURITÉ

LIRE ET CONSERVER CES INSTRUCTIONS

AVERTISSEMENT - Ne placez pas d'objets métalliques tels que des couteaux, des fourchettes, des cuillères et des couvercles sur la surface de la table de cuisson car ils peuvent devenir chauds.

NE PAS TOUCHER LES ÉLÉMENTS CHAUFFANTS OU LES SURFACES INTÉRIEURES DU FOUR - Les éléments chauffants peuvent être chauds même s'ils sont de couleur sombre. Les parois intérieures d'un four peuvent devenir suffisamment chaudes pour provoquer des brûlures.

- ▶ Pendant et après l'utilisation, ne touchez pas et ne laissez pas les vêtements, les maniques ou autres matériaux inflammables entrer en contact avec les éléments chauffants ou les surfaces intérieures du four avant d'avoir suffisamment de temps pour refroidir. Les autres surfaces de l'appareil peuvent devenir suffisamment chaudes pour provoquer des brûlures. Parmi ces surfaces se trouvent les ouvertures de ventilation du four, les surfaces proches de ces ouvertures et les portes du four.

Faire attention en ouvrant l'appareil.

- ▶ En se plaçant sur le côté, ouvrir la porte lentement et légèrement pour laisser l'air chaud et/ou la vapeur s'échapper du four.
- ▶ Éloigner le visage de l'ouverture et s'assurer qu'aucun enfant ou animal ne se trouve près de l'appareil.
- ▶ Une fois l'air chaud et/ou la vapeur sortis, continuer la cuisson.
- ▶ Ne pas laisser les portes ouvertes à moins que l'on soit en train de cuisiner ou de nettoyer.
- ▶ Ne pas laisser les portes ouvertes sans surveillance.

Nettoyez la table de cuisson avec prudence.

- ▶ Si une éponge ou un chiffon humide est utilisé pour essuyer les déversements sur une zone de cuisson chaude, veillez à ne pas brûler à la vapeur.
- ▶ Certains nettoyants dégagent des fumées nocives lorsqu'ils sont appliqués sur une surface chaude.
- ▶ Ne pas nettoyer l'appareil pendant qu'il est encore chaud.

AVERTISSEMENT - Il est possible que la fonction de détection des casseroles pour éteindre la zone de cuisson ne fonctionne pas si des aliments ont été renversés sur la table de cuisson ou si on dépose des objets sur cette dernière.

- ▶ Gardez la table de cuisson propre et ne stockez pas d'objets sur les zones de cuisson.

MISE EN GARDE

Soyez prudent lorsque vous cuisinez des aliments à forte teneur en alcool (par exemple rhum, brandy, bourbon) dans le four. L'alcool s'évapore à des températures élevées. Il y a un risque de brûlure car les vapeurs d'alcool peuvent prendre feu dans le four.

- ▶ N'utilisez que de petites quantités d'alcool dans les aliments et ouvrez soigneusement la porte du four. Les grilles du four et les surfaces des cavités du four deviennent très chaudes pendant la cuisson.
- ▶ Placez les grilles du four dans les positions souhaitées avant d'allumer le four.
- ▶ Utilisez toujours des gants de cuisine lorsque le four est chaud.
- ▶ Si une grille doit être déplacée alors que le four est chaud, ne laissez pas les gants de cuisine entrer en contact avec les éléments chauffants chauds.
- ▶ Soyez prudent lorsque vous retirez les grilles du four de la position la plus basse pour éviter tout contact avec la porte chaude du four.

AVERTISSEMENT

Éviter de se pencher au-dessus de l'appareil.

- ▶ Se rappeler que certains vêtements et produits capillaires contiennent des produits chimiques inflammables qui peuvent s'enflammer au contact des éléments de surface ou des brûleurs chauds et causer des blessures graves.
- L'intérieur du four et la sonde thermométrique peuvent devenir très chauds.
- ▶ Utiliser des gants de four pour enficher et débrancher la sonde thermométrique.

AVERTISSEMENT

Stockage dans ou sur l'appareil - L'utilisation de produits chimiques corrosifs dans le chauffage ou le nettoyage endommagera l'appareil et pourrait entraîner des blessures.

- ▶ Les matériaux inflammables, les produits chimiques corrosifs, les vapeurs ou les produits non alimentaires ne doivent pas être stockés ou utilisés dans un four ou sur ou près des unités de surface.
- ▶ L'appareil est spécialement conçu pour être utilisé lors du chauffage ou de la cuisson des aliments. Cet appareil électroménager est conçu uniquement pour un usage domestique habituel.
- ▶ Il n'est pas approuvé pour une utilisation en extérieur.
- ▶ Consultez l'énoncé de garantie limitée de produit. Pour toute question, veiller à communiquer avec le fabricant.



IMPORTANTES CONSIGNES DE SÉCURITÉ

LIRE ET CONSERVER CES INSTRUCTIONS

AVERTISSEMENT - L'utilisation de cet appareil autrement que pour son utilisation prévue peut provoquer un incendie ou des blessures corporelles.

- ▶ N'utilisez cet appareil que pour l'usage auquel il est destiné, comme décrit dans ce manuel.
- ▶ N'utilisez JAMAIS vos appareils comme appareil de chauffage pour réchauffer ou chauffer la pièce. Cela pourrait entraîner une surchauffe de l'appareil.
- ▶ N'utilisez jamais l'appareil pour le stockage.

AVERTISSEMENT-POUR RÉDUIRE LE RISQUE DE BLESSURES EN CAS D'INCENDIE DE GRAISSE DE CUISINIÈRE, RESPECTER LES INDICATIONS SUIVANTES.

- ▶ **FLAMMES PLUS DOUCES** avec un ajustement serré du couvercle, plaque à biscuits ou plateau métallique, puis éteignez le brûleur. **FAIRE ATTENTION AUX BRÛLURES.** Si les flammes ne s'éteignent pas immédiatement, **ÉVACUEZ ET APPELEZ LE SERVICE D'INCENDIE.**
- ▶ **NE JAMAIS PRENDRE UNE POÊLE A FLAMBER** - vous pourriez vous brûler.
- ▶ **NE PAS UTILISER D'EAU**, y compris des torchons ou des serviettes mouillés, cela provoquerait une violente explosion de vapeur.
- ▶ Utilisez un extincteur **UNIQUEMENT** si :
 - Vous savez que vous avez un extincteur de classe ABC, et vous savez déjà comment le faire fonctionner.
 - L'incendie est petit et contenu dans la zone où il a commencé.
 - Si vous avez appelé les pompiers.
 - Vous pouvez combattre l'incendie en gardant le dos tourné vers la sortie.

Ne chauffez pas et ne réchauffez pas des récipients non ouverts. L'accumulation de pression peut faire exploser le contenant et provoquer des blessures.

Le liquide entre la base de pot et la table de cuisson peut augmenter la pression de vapeur. Cela pourrait faire sauter le pot soudainement et causer des blessures.

- ▶ Gardez toujours la table de cuisson et les bases des casseroles sèches.

Lors de la cuisson au bain-marie, la table de cuisson et le récipient de cuisson peuvent se fissurer en raison d'une surchauffe.

- ▶ Le plat de cuisson du bain-marie ne peut entrer en contact direct avec le fond de la casserole remplie d'eau chaude.
- ▶ N'utiliser que des ustensiles de cuisson résistants à la chaleur.

Le fait de ne pas utiliser correctement les boutons peut entraîner des blessures corporelles et des dommages à l'appareil.

Les sacs de cuisson ou de rôtissage peuvent exploser.

- ▶ Observez les instructions du fabricant lors de l'utilisation de sacs de cuisson ou de rôtissage.

MISE EN GARDE

Pour éviter d'éventuelles blessures ou dommages à l'appareil, assurez-vous que la grille du four est installée exactement selon les instructions d'installation et non vers l'arrière ou à l'envers.

Ne placez rien sur le fond de la cavité du four. Ne couvrez pas la sole avec une feuille de papier aluminium. Une accumulation de chaleur pourrait endommager l'appareil ou causer des blessures.

AVERTISSEMENT

L'humidité qui pénètre peut occasionner une électrocution.

- ▶ N'utilisez pas de nettoyeur haute pression ou de nettoyeur à vapeur pour nettoyer l'appareil.
 - Si l'appareil ou le cordon d'alimentation est endommagé, cela est dangereux.
 - ▶ Ne faites jamais fonctionner un appareil endommagé.
 - ▶ Si la surface est fissurée, vous devez éteindre l'appareil afin d'éviter un éventuel choc électrique. Pour ce faire, éteignez l'appareil via le disjoncteur dans le panneau des disjoncteurs plutôt qu'au niveau de l'interrupteur principal.
 - ▶ Si l'appareil ou le cordon d'alimentation est endommagé, coupez immédiatement le disjoncteur dans le boîtier du disjoncteur.
 - ▶ Communiquez avec le service à la clientèle.
 - *Page 85*
 - ▶ Les réparations de l'appareil ne doivent être effectuées que par du personnel qualifié formé à cet effet.
- AVERTISSEMENT** - Si la surface est fissurée, éteindre l'appareil pour éviter tout risque de choc électrique. Ne pas cuire sur une surface de cuisson cassée - Si la surface de cuisson se brise, les solutions de nettoyage et les débordements peuvent pénétrer dans la surface de cuisson cassée et créer un risque de choc électrique.
- ▶ Contactez immédiatement un fournisseur de services agréé.



IMPORTANTES CONSIGNES DE SÉCURITÉ

LIRE ET CONSERVER CES INSTRUCTIONS

AVERTISSEMENT

Si la porte de l'appareil est rayée, le verre peut se fissurer.

- ▶ N'utilisez pas de nettoyants agressifs ou abrasifs ou de grattoirs métalliques tranchants pour nettoyer la vitre de la porte du four, car ils pourraient rayer la surface.

L'utilisation de la mauvaise sonde thermométrique peut endommager l'isolant. Utiliser uniquement la sonde thermométrique conçue pour cet appareil électroménager.

1.7 Sécurité des enfants

AVERTISSEMENT

Ne pas permettre aux enfants d'utiliser cet appareil électroménager à moins d'être étroitement surveillés par un adulte.

- ▶ Les enfants et les animaux domestiques ne doivent pas être laissés seuls ou sans surveillance à un endroit où un appareil électroménager est utilisé. Ils ne doivent jamais jouer à proximité, que l'appareil soit utilisé ou non.

Ne pas laisser quiconque monter, se tenir debout, se pencher, s'asseoir ou se suspendre sur une partie quelconque de l'appareil électroménager, principalement une porte, un tiroir chauffant ou un tiroir de rangement.

- ▶ Cela peut endommager l'appareil et l'appareil peut basculer et provoquer des blessures graves.

Ne laissez pas les enfants jouer avec l'appareil.

MISE EN GARDE

Ne stockez pas les articles qui intéressent les enfants dans des armoires au-dessus d'une cuisinière ou sur le panneau arrière d'une cuisinière. Les enfants grimant sur la cuisinière pour atteindre des objets pourraient être gravement blessés.

Ne laissez pas les enfants seuls.

- ▶ Les enfants ne doivent pas être laissés seuls ou sans surveillance à un endroit où un appareil électroménager est utilisé.
- ▶ Les enfants ne doivent jamais s'asseoir ou rester debout sur une partie quelconque de l'appareil.
- ▶ Vérifiez toujours l'intérieur du four avant de l'allumer.

AVERTISSEMENT

Pour éviter tout risque d'étouffement :

- ▶ Ne jamais laisser les enfants jouer avec le matériel d'emballage.

1.8 Interférence électromagnétique

AVERTISSEMENT

Cette table de cuisson à induction génère et utilise de l'énergie à fréquence ISM qui chauffe les casseroles en utilisant un champ électromagnétique. Elle a été testée et est conforme avec la partie 18 des règlements FCC régissant les appareils ISM. Cette table de cuisson est conforme aux exigences FCC visant à réduire la perturbation des autres dispositifs dans des installations résidentielles. Les tables de cuisson à induction peuvent perturber la réception radio et télévision. En cas d'interférence, l'utilisateur doit essayer de corriger l'interférence en

- ▶ Relocalisant l'antenne de réception de la radio ou du téléviseur.
- ▶ Augmentant la distance entre la table de cuisson et le récepteur.
- ▶ Branchant le récepteur à une prise différente de celle du récepteur.
- ▶ C'est à l'utilisateur qu'il incombe de corriger toute perturbation.

MISE EN GARDE

Les personnes avec un stimulateur cardiaque ou autre dispositif médical similaire devraient redoubler de vigilance lorsqu'elles sont à proximité d'une table de cuisson à induction en marche.

- ▶ Consultez votre médecin ou le fabricant du stimulateur cardiaque pour de plus amples renseignements sur les effets que peuvent causer les champs électromagnétiques provenant d'une table de cuisson à induction.

1.9 Mises en garde conformément à la proposition 65 de l'État de Californie

Ce produit pourrait contenir un produit chimique reconnu par l'État de la Californie comme cancérigène ou ayant des effets nocifs sur la reproduction. Par conséquent, vous pourriez devoir apposer l'étiquette suivante sur l'emballage du produit comme requis par la Californie :

AVERTISSEMENT ISSUE DE LA PROPOSITION 65 DE L'ÉTAT DE LA CALIFORNIE :



AVERTISSEMENT

Cancer et dommages à la reproduction -
www.P65Warnings.ca.gov

2 Prévenir les bris matériels

2.1 Prévenir les dommages à la cavité du four

AVIS :

La présence d'objets sur le fond de la cavité du four provoquera une accumulation de chaleur. Les temps de cuisson et de rôtissage ne seront alors plus exacts et cela risque d'endommager l'émail.

- ▶ Ne couvrez pas le fond de la cavité du four avec du papier d'aluminium ou du papier sulfurisé.
- ▶ Ne placez pas d'accessoires sur le fond de la cavité du four.

Ne laissez pas le papier d'aluminium dans la cavité du four entrer en contact avec la vitre de la porte, cela pourrait provoquer une décoloration permanente.

Lorsque la cavité du four est chaude, toute eau à l'intérieur crée de la vapeur. Le changement de température peut provoquer des dommages.

- ▶ Ne versez jamais d'eau dans la cavité du four lorsqu'elle est encore chaude.
- ▶ Ne placez jamais d'ustensiles de cuisine contenant de l'eau sur le fond de la cavité du four.

La présence prolongée d'humidité dans la cavité du four entraîne une corrosion.

- ▶ Laissez la cavité du four sécher après usage.
- ▶ Ne gardez pas les aliments humides dans la cavité du four pendant une longue période avec la porte fermée.
- ▶ Ne conservez pas d'aliments dans la cavité du four.

Laisser l'appareil refroidir avec la porte ouverte endommagera le devant des éléments de cuisine voisins au fil du temps.

- ▶ Laissez toujours la cavité du four refroidir avec la porte fermée après la cuisson à des températures élevées. Ne laissez la cavité du four sécher avec la porte ouverte que si beaucoup d'humidité a été produite pendant le fonctionnement.

- ▶ Veillez à ne rien coincer dans la porte de l'appareil.

Le jus de fruit qui s'égoutte d'un moule laisse des taches qui ne peuvent pas s'enlever.

- ▶ Lors de la cuisson de tartes aux fruits très juteuses, n'en mettez pas trop sur la plaque à pâtisserie.

Si le joint est très sale, la porte de l'appareil ne se fermera pas correctement lorsque l'appareil est en marche. Cela pourrait endommager l'avant des unités de cuisine adjacentes.

- ▶ Gardez le joint propre en tout temps.
- ▶ Ne faites pas fonctionner l'appareil si le joint est endommagé ou manquant. Ne faites pas fonctionner l'appareil si le joint est endommagé ou manquant.

S'asseoir ou placer des objets sur la porte de l'appareil peut l'endommager.

- ▶ Ne placez pas et ne suspendez pas d'objets sur la porte de l'appareil.
- ▶ Ne placez pas d'ustensiles de cuisine ou d'accessoires sur la porte de l'appareil.

Avec certains modèles, les accessoires peuvent rayer la vitre de la porte lors de la fermeture de la porte de l'appareil.

- ▶ Poussez toujours complètement les accessoires dans la cavité du four.

Le transport de l'appareil par la poignée de porte pourrait le casser. La poignée de porte ne peut pas supporter le poids de l'appareil.

- ▶ Ne pas porter ou tenir l'appareil par la porte.

2.2 Éviter d'endommager la table de cuisson

AVIS :

La surchauffe peut endommager la batterie de cuisine.

- ▶ Ne chauffez pas de casseroles ou poêles vides.

Les ustensiles de cuisson chauds peuvent provoquer une surchauffe des composants électroniques.

- ▶ Ne posez jamais de poêles et de casseroles chaudes sur le panneau de commande ou le cadre de la table de cuisson.

Lorsque des objets durs ou pointus tombent sur la table de cuisson, ils peuvent l'endommager.

- ▶ Ne laissez pas d'objets durs ou pointus tomber sur la table de cuisson.

Le papier d'aluminium et le plastique fondent sur les zones de cuisson chaudes.

- ▶ Ne laissez pas de papier d'aluminium ou de plastique entrer en contact avec les zones de cuisson chaudes.
- ▶ N'utilisez pas de film protecteur pour table de cuisson.

Vue d'ensemble des types de dommages les plus courants

Vous trouverez ici un aperçu des types de dommages les plus courants et des suggestions pour les éviter.

Taches

Cause	Solution
Éclaboussure de nourriture	Retirez immédiatement les éclaboussures de nourriture à l'aide d'un grattoir à verre.
Produits de nettoyage inappropriés	Utilisez des agents de nettoyage adaptés aux tables de cuisson en vitrocéramique.

Rayures

Cause	Solution
Sel, sucre et sable	N'utilisez pas la table de cuisson comme surface de travail ou espace de rangement.
Ustensiles de cuisine à fond rugueux	Vérifiez la batterie de cuisine.

Décolorations

Cause	Solution
Produits de nettoyage inappropriés	Utilisez des agents de nettoyage adaptés aux tables de cuisson en vitrocéramique.

Cause	Solution
Abrasion de casserole (par ex. Aluminium)	Soulevez les casseroles et les poêles lorsque vous les déplacez.

Cloques

Cause	Solution
Sucre, aliment à haute teneur en sucre	Retirez immédiatement les éclaboussures de nourriture à l'aide d'un grattoir à verre.

3 Protection de l'environnement et économies

3.1 Mise au rebut de l'emballage

Les matériaux d'emballage sont écologiques et recyclables.

- Veuillez éliminer les pièces détachées après les avoir triées par matières.

3.2 Économie d'énergie lors de l'utilisation du four

Si vous suivez ces conseils, votre appareil consomme moins d'énergie.

Préchauffez l'appareil uniquement si la recette ou les réglages recommandés vous le demandent.

- ✓ Ne pas préchauffer l'appareil peut réduire l'énergie consommée.

Utilisez des plaques de cuisson de couleur foncée, à revêtement noir ou émaillées.

- ✓ Ces types de moules absorbent particulièrement bien la chaleur.

Ouvrez la porte de l'appareil le moins possible pendant le fonctionnement.

- ✓ Cela maintiendra la température dans la cavité du four et éliminera le besoin de réchauffer l'appareil.

Lors de la cuisson de plusieurs plats, faites-le successivement ou en parallèle.

- ✓ La cavité du four est chauffée après la cuisson du premier plat. Cela réduit le temps de cuisson du deuxième plat.

Si le temps de cuisson est relativement long, vous pouvez éteindre l'appareil 10 minutes avant la fin du temps de cuisson.

- ✓ Il y aura suffisamment de chaleur résiduelle pour terminer la cuisson du plat.

Retirez tous les accessoires non utilisés de la cavité du four.

- ✓ Les accessoires non utilisés n'ont pas besoin d'être chauffés.

Laissez décongeler les aliments congelés avant de les cuire.

- ✓ Cela permettra d'économiser l'énergie qui serait autrement nécessaire pour le dégivrer.

3.3 Économie d'énergie lors de l'utilisation de la table de cuisson

Si vous suivez ces conseils, votre appareil consomme moins d'énergie.

Sélectionnez un diamètre d'ustensile qui correspond à la zone de cuisson. Centrez la casserole sur la zone de cuisson.

Conseil : Les fabricants d'ustensiles de cuisine indiquent généralement le diamètre supérieur de l'ustensile. Le diamètre de la base de la batterie de cuisine est généralement plus petit.

- ✓ L'énergie est destinée à la batterie de cuisine. Si vous utilisez des ustensiles de cuisine trop petits, vous gaspillez de l'énergie. Si la batterie de cuisine est trop grande, beaucoup d'énergie est utilisée pour chauffer la batterie de cuisine.

Fermez la casserole avec un couvercle approprié.

- ✓ Cuire sans couvercle consomme plus d'énergie.

Ne soulevez le couvercle que si nécessaire.

- ✓ Si vous soulevez le couvercle, beaucoup d'énergie peut s'échapper.

Utilisez un couvercle en verre.

- ✓ Si vous utilisez un couvercle en verre, vous pouvez regarder à l'intérieur de l'ustensile sans soulever le couvercle.

Utiliser des ustensiles de cuisson à base solide plate.

- ✓ Les bases incurvées des ustensiles de cuisine augmentent la consommation d'énergie.

Utilisez une taille d'ustensile qui correspond à la quantité d'aliments que vous souhaitez cuire.

- ✓ Les ustensiles de cuisine avec peu de contenu consomment beaucoup d'énergie.

Faites cuire avec un peu d'eau.

- ✓ Plus d'eau nécessite plus d'énergie pour la chauffer.

Sélectionnez un niveau de puissance inférieur dès que possible. Sélectionnez un niveau de puissance adapté pour poursuivre la cuisson.

- ✓ Pour une cuisson en cours, un niveau de puissance inférieur est suffisant.

4 Description de l'appareil

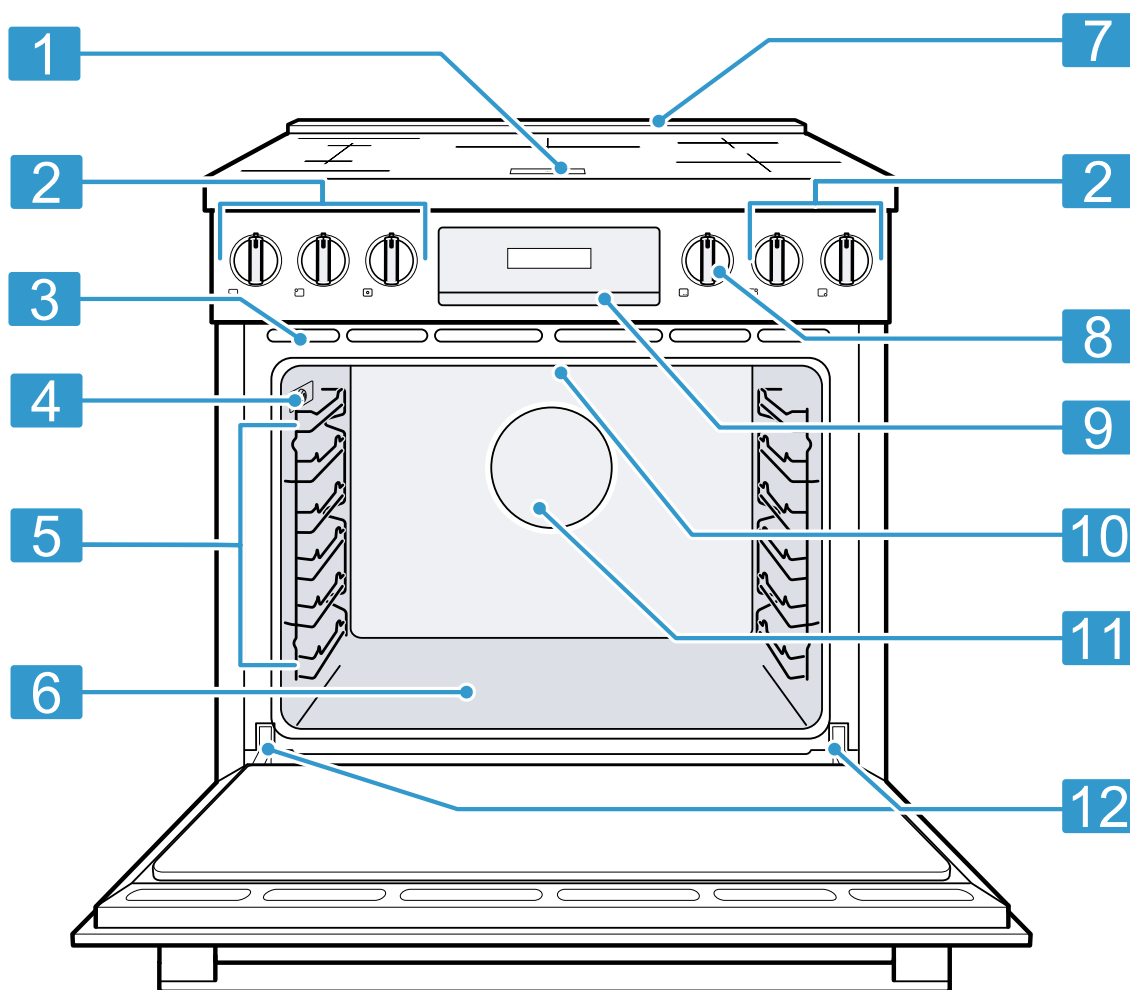
Ce manuel couvre plusieurs modèles. Votre modèle peut avoir certaines des caractéristiques répertoriées, mais pas toutes.

4.1 Électroménager

Cette section contient une vue d'ensemble des composants de votre appareil.

Remarques

- Ce manuel couvre plusieurs modèles. Votre modèle peut avoir certaines des caractéristiques répertoriées, mais pas toutes.
- Les graphiques sont représentatifs. Votre appareil peut avoir différentes apparences graphiques.



1 Affichages des zones de cuisson

2 Boutons de commande de la table de cuisson

3 Événement avant du four

4 Prise pour sonde thermique

5 Rails de four

6 Fond de cavité du four

7 Garniture de ventilation arrière

8 Bouton de commande du four

9 Bande de commande du four

10 Élément de grill

11 Ventilateur de convection

12 Charnières de porte

Caractéristiques du four

Ventilateur de refroidissement

Le ventilateur de refroidissement est en marche dans tous les modes de cuisson.

Le ventilateur peut être entendu lorsqu'il fonctionne et de l'air chaud peut être ressenti lorsqu'il sort de la garniture de ventilation arrière. Il se peut également que le ventilateur continue de tourner après que le four a été éteint.

Évent du four

De l'air chaud peut s'échapper de la garniture de ventilation arrière avant, pendant et après la cuisson. Il est normal de voir de la vapeur s'échapper de la garniture de ventilation arrière et de la condensation peut s'accumuler dans cette zone. Cette zone peut être chaude lorsque le four fonctionne.

⚠ MISE EN GARDE

Les événements du four sont importants pour la circulation de l'air. Couvrir les événements du four entraînera une surchauffe du four. Reportez-vous à l'aperçu de l'appareil pour connaître l'emplacement des événements du four. → Page 53

- ▶ N'obstruez pas l'évent avant du four ou la garniture d'évent arrière.

Indicateur de température

Les barres indicatrices de température indiquent les phases de chauffe ou la chaleur résiduelle dans la cavité du four.

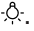
Indicateur de chauffe	L'indicateur de chauffe affiche l'augmentation de la température dans la cavité du four. Lorsque toutes les barres sont pleines, le moment optimal pour placer les aliments dans le four est atteint. Dans les réglages de grillage et de nettoyage, les barres sont toutes déjà remplies au début. Les barres ne sont pas remplies pour le type de chauffage doux haut/bas.
-----------------------	------------------------------------------------------------------------------------------------------------------------------------------------------------------------------------------------------------------------------------------------------------------------------------------------------------------------------------------------------------------------------

Zones de cuisson

Vous trouverez ici un aperçu des zones de cuisson disponibles sur votre table de cuisson. Placez l'ustensile sur la zone de cuisson qui correspond le mieux à sa taille.

Témoin de chaleur résiduelle	Lorsque l'appareil est éteint, l'indicateur de température indique la chaleur résiduelle dans la cavité du four. Une fois la température descendue à environ 140 °F (60 °C), l'indicateur s'éteint.
------------------------------	-----------------------------------------------------------------------------------------------------------------------------------------------------------------------------------------------------

Éclairage de four

Votre appareil est équipé d'un éclairage de four. Vous pouvez allumer et éteindre l'éclairage du four en appuyant sur .

Surfaces dans la cavité du four

La paroi arrière et les parties latérales de la cavité du four sont auto-nettoyantes. Vous pouvez le voir par la surface rugueuse.

Le plancher et le plafond de la cavité du four sont émaillés et ont des surfaces lisses.

Surfaces auto-nettoyantes

Les surfaces autonettoyantes sont recouvertes d'une couche de céramique poreuse et mate. Ce revêtement absorbe et évacue les éclaboussures provenant de la cuisson et de la torréfaction pendant que l'appareil est en fonctionnement.

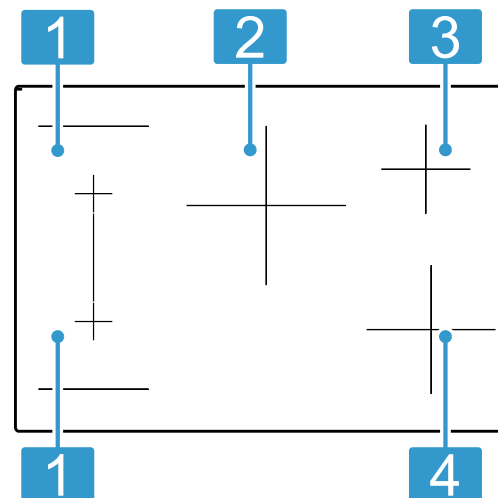
⚠ MISE EN GARDE

N'utilisez pas de nettoyant pour four sur les surfaces autonettoyantes. Cela endommagera les surfaces.

- ▶ Si le nettoyant pour four entre en contact avec ces surfaces, épongez immédiatement avec de l'eau et un tissu-éponge.
- ▶ Ne frottez pas la surface et n'utilisez pas de produits de nettoyage abrasifs.

Utilisez uniquement des ustensiles adaptés à la cuisson à induction.

→ "Cuisson par induction", Page 63



1 Ø 7 po (18 cm)**2** Ø 10 ¼ po (26 cm)**3** Ø 5 ¾ po (14,5 cm)**4** Ø 8 ¼ po (21 cm)

Symbole	Zone de cuisson	Fonction
+	Zone de cuisson unique	Une seule taille de zone de cuisson est disponible.
I	Zone combinée	À utiliser avec des ustensiles de plus grande taille en combinant les zones de cuisson.

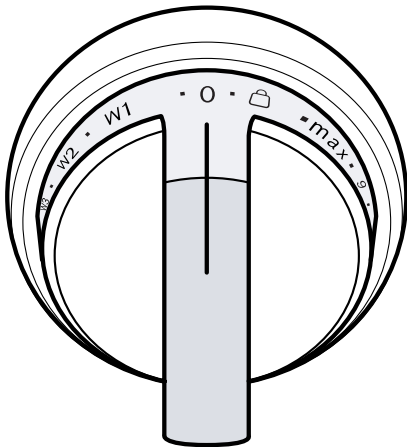
4.2 Panneaux de commande

Le bandeau de commande vous permet de configurer toutes les fonctions de votre appareil et d'obtenir des informations sur son état de fonctionnement.

Panneau de commande de la table de cuisson

La table de cuisson a un bouton de commande pour chaque zone de cuisson. Appuyez et tournez vers la droite pour régler le niveau de puissance souhaité.

Les marquages autour des boutons de commande indiquent les niveaux de puissance disponibles. Si vous allumez une zone de cuisson, l'affichage de la zone de cuisson à l'avant de la surface de cuisson s'allume.



Remarque : L'image du bouton de commande est représentative. Selon les paramètres disponibles, les boutons de commande individuels peuvent avoir certaines fonctions décrites dans le tableau suivant, mais pas toutes.

Position du bouton	Fonction
0	Zone de cuisson désactivée
1 - 9	Niveaux de puissance
max	SpeedBoost®
combi zone	Zone combinée
🔒	Verrouillage du panneau
W1	Garder au chaud
W2	Fondre
W3	Mijoter

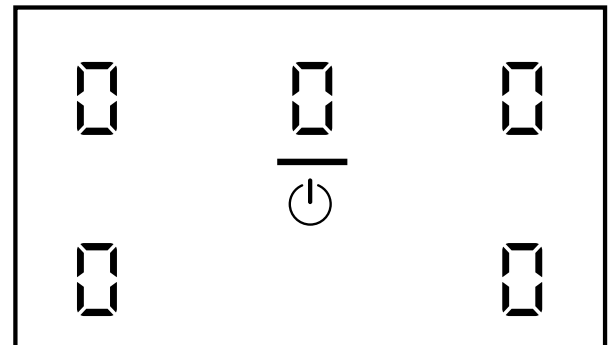
Positions des zones de cuisson

Les marquages à côté de chacun des boutons de commande indiquent la zone de cuisson qu'ils contrôlent.

☐	Zone de cuisson avant gauche
☐	Zone de cuisson avant droite
○	Zone de cuisson au milieu
☐	Zone de cuisson arrière gauche
☐	Zone de cuisson arrière droite

Affichages des zones de cuisson

Lorsque vous allumez une zone de cuisson, le niveau de puissance ou la fonction s'affiche sur l'affichage de la zone de cuisson.

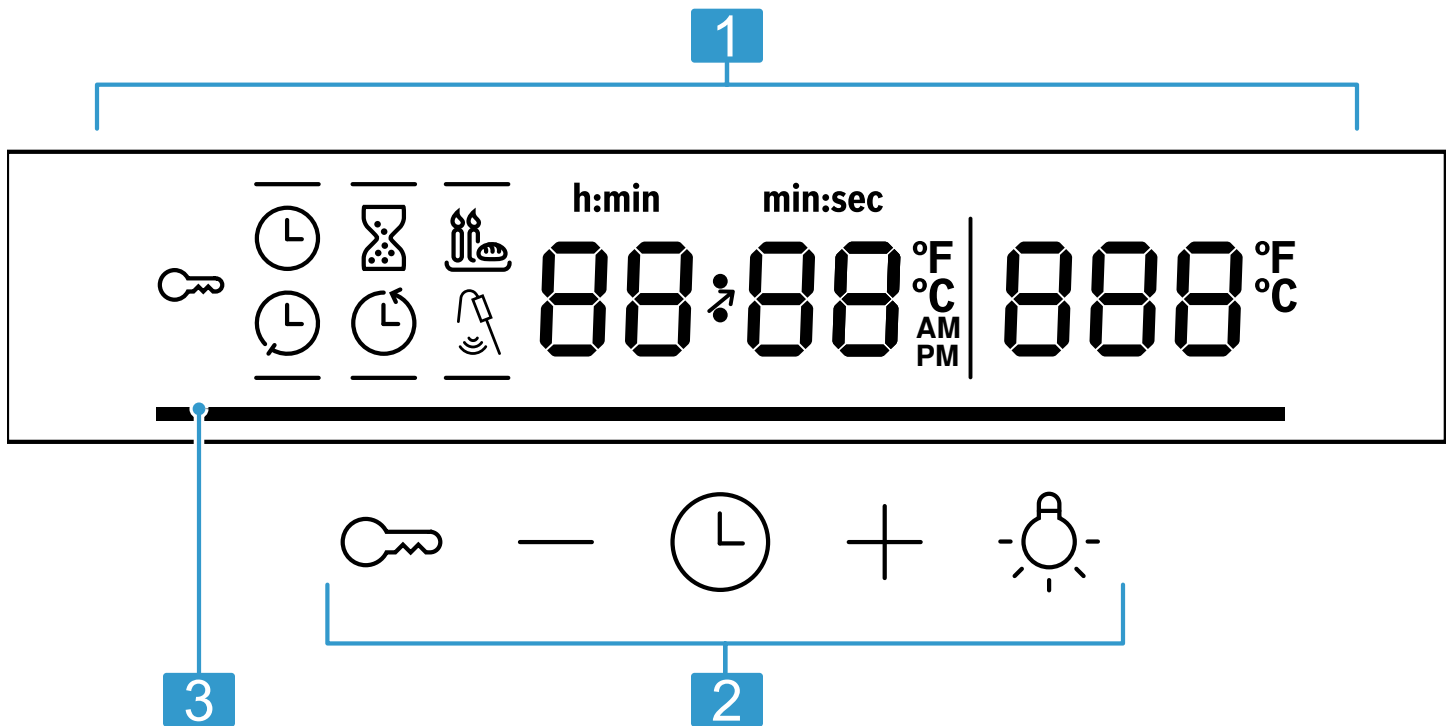


Écran	Fonction
⏻	Indicateur de table de cuisson allumé
1...9	Niveau de puissance
H/h	Chaleur résiduelle
b	SpeedBoost® actif
L	Verrouillage du panneau actif
-	Garder au chaud
=	Fondre
≡	Mijoter
☐/☐	Activation des zones combinées

AVIS :

Ne placez pas d'ustensiles de cuisine chauds sur ou à proximité de l'écran. Une surchauffe répétée peut altérer le bon fonctionnement de l'électronique.

Bandeau de commande du four



- 1** Affichage
- 2** Touches tactiles
- 3** Indicateur de température → Page 54

Boutons

Symbole	Signification
	Verrouillage du panneau ou paramètres
—	Moins
	Fonctions temporelles
+	Plus
	Éclairage de four

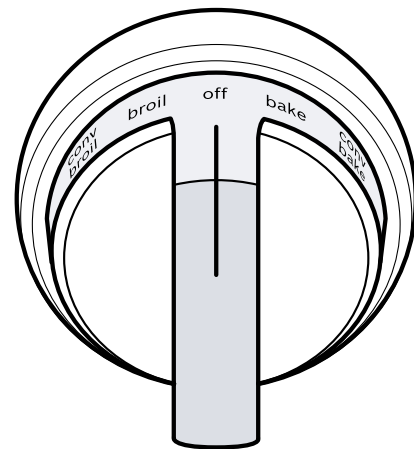
Remarque : Il suffit d'appuyer légèrement sur les touches tactiles pour les faire fonctionner.

Écran

Symbole	Signification
	Verrouillage du panneau
	Clock (Horloge)
	Minuterie de cuisine
	Heure de fin
	Durée
	Mode Sabbat
	Sonde à viande
h : min	Temps donnée en heures et en minutes
min : sec	Temps donnée en minutes et en secondes
AM/PM	Temps

Bouton de commande du four

Réglez le mode de chauffe souhaité à l'aide du bouton de commande du four.



Position du bouton	Fonction
off	Four éteint
broil	Mise en marche du grillage
conv broil	Mise en marche du grill à convection
conv roast	Mise en marche du rôtissage par convection
pizza	Mise en marche du mode pizza
proof	Mise en marche de l'apprêt
multi rack	Mise en marche du mode multi-grille
conv bake	Mise en marche de la cuisson à convection

Position du bouton	Fonction
bake	Mise en marche de la cuisson

Pour fonctionner : sélectionnez le mode de chauffage souhaité. Éteignez en faisant tourner le bouton de commande dans le sens horaire.

5 Accessoires

Utilisez uniquement des accessoires d'origine. Ils ont été spécialement conçus pour votre appareil. Les accessoires fournis peuvent différer selon le modèle d'appareil.

Accessoires	Utilisation
Grille métallique	Mise en place de moules à gâteaux, plats cuisinés, ustensiles de cuisine, viandes et plats surgelés.
Rail télescopique	Tirez la grille plus loin sans la faire basculer.
Sonde à viande	Déterminez le degré de cuisson et la température des aliments tels que la viande et la volaille.

5.1 Autres accessoires

Vous pouvez acheter des accessoires supplémentaires auprès du service client, de revendeurs spécialisés ou sur Internet.

Vous pouvez trouver une gamme complète de votre appareil sur Internet ou dans nos brochures : www.bosch-home.com

Les accessoires sont spécifiques à l'appareil. Indiquez toujours la description exacte (n ° E) de votre appareil lors de l'achat.

Vous pouvez connaître les accessoires disponibles pour votre appareil dans la boutique en ligne ou auprès du service client.

Rail télescopique

Utilisation

- Tirez la grille plus loin sans la faire basculer.
- Numéro de commande : 12029918

Côté d'extension du panneau

Utilisation

- Couvercle latéral pour appareils sans éléments de cuisine adjacents.
- Numéro de commande : HEZ9YZ04UC

Teppan Yaki

Utilisation

- Convient pour la zone combinée
- Numéro de commande : HEZ390512

Système de poêle

Utilisation

- Poêle à frire
- Numéro de commande : HEZ390230

Poêle à griller

Utilisation

- Convient pour la zone combinée
- Numéro de commande : HEZ9GR37UC

Bordure inférieure de protection

Utilisation

- Bordure inférieure pour dissimuler les pieds de l'appareil.
- Numéro de commande : HEZ9TK36UC

Pieds de cuisinière en métal

Utilisation

- Ensemble (4 pièces) de pieds de gamme qualité supérieure.
- Numéro de commande : HEZ9LLUC

5.2 Montage du jeu de rails télescopiques

Les instructions de montage du jeu de rails télescopiques sont fournies avec le jeu.

5.3 Insertion des grilles

La grille peut être insérée dans la cavité du four à 5 niveaux différents.

MISE EN GARDE

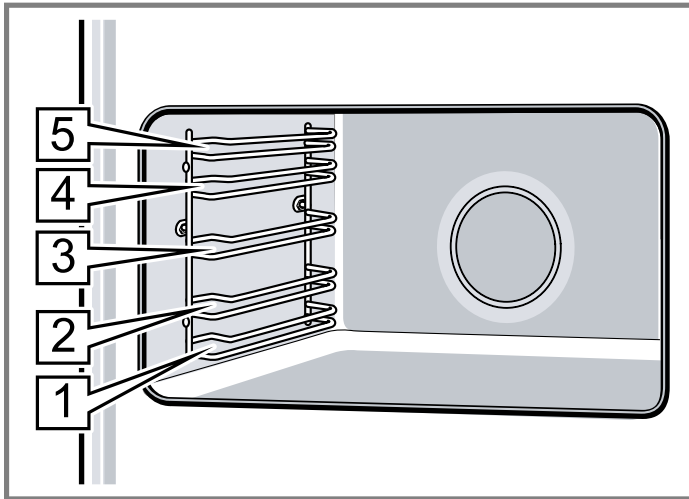
Les grilles du four et les surfaces des cavités du four deviennent très chaudes pendant la cuisson.

- ▶ Placez les grilles du four dans les positions souhaitées avant d'allumer le four.
- ▶ Utilisez toujours des gants de cuisine lorsque le four est chaud.
- ▶ Si une grille doit être déplacée alors que le four est chaud, ne laissez pas les gants de cuisine entrer en contact avec les éléments chauffants chauds.
- ▶ Soyez prudent lorsque vous retirez les grilles du four de la position la plus basse pour éviter tout contact avec la porte chaude du four.

MISE EN GARDE

Pour éviter d'éventuelles blessures ou dommages à l'appareil, assurez-vous que la grille du four est installée exactement selon les instructions d'installation et non vers l'arrière ou à l'envers.

Enfoncez toujours les grilles à fond pour qu'ils ne touchent pas le panneau de porte. Assurez-vous que vous insérez toujours les grilles dans la cavité du four dans le bon sens, et non à l'envers ou retourné.

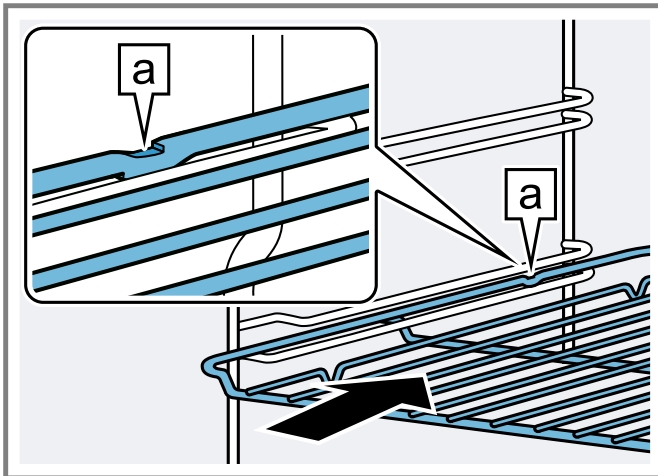


Grille plate

La grille est conçue avec une butée, de manière à ce qu'elle s'arrête avant de sortir complètement du four.

Insertion de la grille dans le four

1. Saisissez fermement la grille des deux côtés.
2. Installez la grille.



3. Inclinez la grille vers le haut pour permettre à la butée de glisser sur le guide de grille.
4. Amenez la grille en position horizontale et poussez-la à fond.

La grille doit être droite et de niveau.

Retirer la grille plate du four

1. Saisissez fermement la grille des deux côtés et tirez-la vers vous.
2. Lorsque la butée est atteinte, inclinez la crémaillère vers le haut et retirez-la complètement.

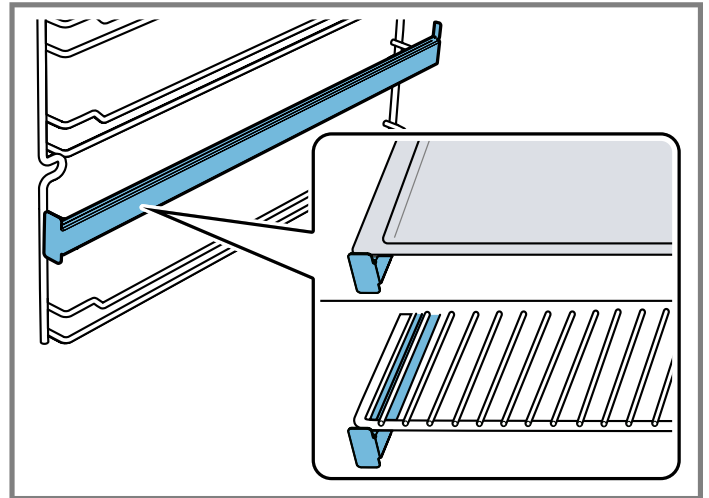
Rail télescopique

⚠ AVERTISSEMENT

Les rails télescopiques chauffent lors de l'utilisation de l'appareil.

- Faites preuve de prudence pour éviter les brûlures lorsque vous les retirez.

Les rails télescopiques vous permettent de retirer complètement les accessoires. Lors de l'insertion de la plaque à pâtisserie ou de la grille à rôtir, assurez-vous qu'elle se verrouille en place devant la languette sur les rails télescopiques.

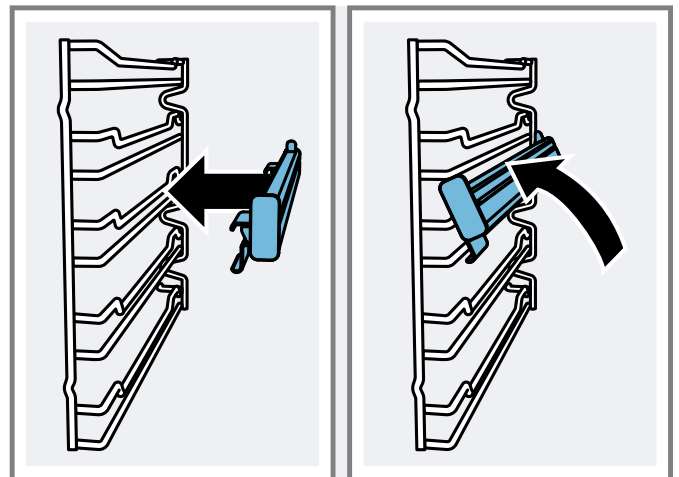


Insertion du rail télescopique dans le four

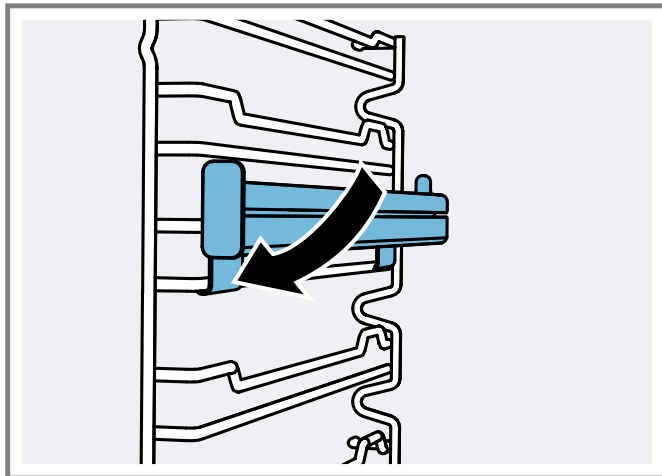
⚠ MISE EN GARDE

Pour éviter toute possibilité de blessure ou d'endommagement de l'appareil, s'assurer que le rail télescopique est installée exactement suivant les instructions de montage et non à l'envers ou sens dessus dessous.

1. Accrochez la partie supérieure du rail sur le guide de grille.



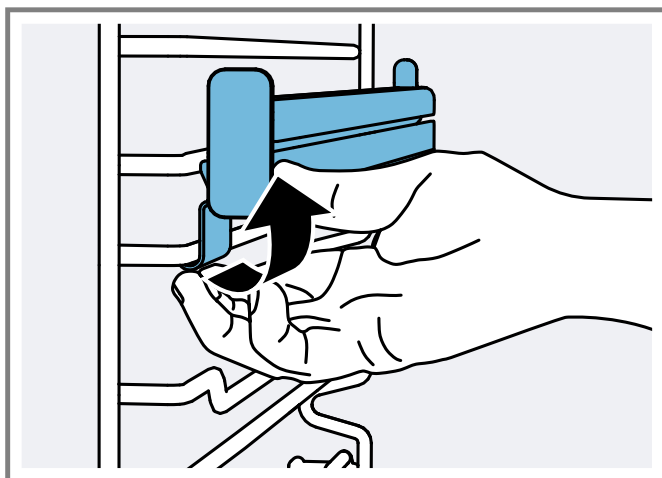
2. Fixez la partie inférieure du rail sur le guide de grille.



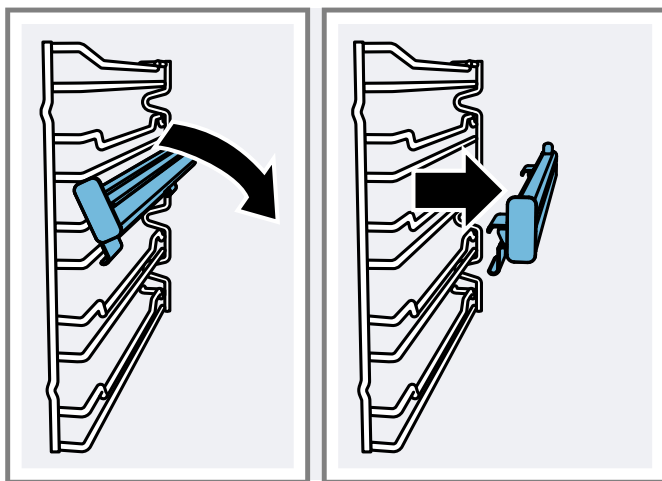
3. Faites glisser la partie mobile du rail télescopique vers l'intérieur et l'extérieur plusieurs fois pour vous assurer qu'elle peut se déplacer librement et que la partie fixe du rail télescopique est solidement ancrée.

Retirer le rail télescopique du four

1. Retirez la partie inférieure du rail du guide de grille.



2. Soulevez la partie supérieure du rail du guide de grille.



6 Avant d'utiliser pour la première fois

Effectuez ces étapes avant d'utiliser votre appareil.

- L'appareil doit être correctement installé par un prestataire de services qualifié avant l'utilisation.
- Lisez et comprenez toutes les précautions et informations de sécurité → *Page 44* dans le manuel avant de l'utiliser.
- Ce manuel couvre plusieurs modèles. Toutes les fonctionnalités ne sont pas disponibles sur tous les modèles.

6.1 Fixer le temps

Une fois l'appareil raccordé à une alimentation électrique, **i2** : **00** se met à clignoter sur l'écran. Réglez l'heure.

1. Utilisez les boutons **—** et **+** pour régler l'heure de fin requise.
2. Effleurez le bouton **⌚**.
- ✓ L'heure est maintenant réglée.

Remarque : Une fois que la période autorisée pour régler l'heure sur l'horloge s'est écoulée, l'heure sera automatiquement enregistrée.

6.2 Nettoyage de l'appareil avant sa première utilisation

Afin de prévenir l'excès de fumée et d'odeur provenant de l'extraction des huiles, faites chauffer le four une première fois vide et fermé.

Remarque : Il peut y avoir une légère odeur aux premières utilisations. Ceci est normal et disparaîtra. Gardez la pièce ventilée pendant que l'appareil chauffe.

1. Retirez tous les matériaux d'emballage et la documentation de la surface de cuisson et de la cavité du four.
2. Retirez les accessoires et les guides de grille de la cavité du four.
3. Retirez complètement les emballages restants, par ex. petits morceaux de polystyrène, de la cavité du four.
4. Certaines parties sont recouvertes d'un film protecteur. Retirez ce film protecteur.
5. Essuyez les surfaces lisses dans la cavité du four avec un chiffon doux et humide.
6. Positionnez le sélecteur de fonction sur **cuire**.
7. Utilisez la touche **+** pour régler la température maximale.

Remarque : Lorsque l'appareil chauffe pour la première fois, il se peut que vous entendiez des craquements provenant du four.

8. Éteignez le four au bout d'une heure.
9. Une fois le four refroidi, essuyez la cavité du four avec de l'eau chaude savonneuse et remettez les guides de grille en place. Si nécessaire, nettoyez les panneaux de porte.
10. Essuyez la surface de la table de cuisson avec une éponge propre et humide puis séchez.

6.3 Nettoyage des accessoires


- ▶ Avant d'utiliser les accessoires, nettoyez-les soigneusement à l'aide d'un chiffon et de l'eau chaude savonneuse.

7 Fonctionnement de la table de cuisson


Vous trouverez ici tout ce que vous devez savoir sur le fonctionnement de votre table de cuisson.

7.1 Réglage du niveau de puissance

Régalez le niveau de puissance de la zone de cuisson avec les boutons de commande.

- ▶ Appuyez et tournez le bouton de commande dans le sens des aiguilles d'une montre jusqu'au niveau de puissance souhaité.
- ✓ Le voyant de la table de cuisson allumé s'allume.
- ✓ Le niveau de puissance sélectionné s'allume dans l'affichage de la zone de cuisson.
- ✓ Lorsque vous posez un ustensile supplémentaire sur une autre zone de cuisson, l'ustensile est détecté et l'affichage de la zone de cuisson correspondante indique .

Remarques

- S'il n'y a pas d'ustensile sur la zone de cuisson,  s'allume dans l'affichage de la zone de cuisson. Cela signifie que la zone de cuisson essaie de détecter l'ustensile. Placez les ustensiles de cuisson sur la zone de cuisson dans les 30 secondes, ou la zone de cuisson s'éteindra d'elle-même. Tournez le bouton de commande sur **0** et réglez à nouveau le niveau de puissance.
- Si le voyant s'allume alors que des ustensiles de cuisine sont présents sur la zone de cuisson, vérifiez si les ustensiles de cuisine sont adaptés à la cuisson par induction.
→ "Cuisson par induction", Page 63
- La table de cuisson peut temporairement réduire automatiquement la puissance pour protéger les parties fragiles de votre appareil et pour empêcher l'appareil de produire un bruit excessif.

7.2 Éteindre la zone de cuisson

- ▶ Tournez le bouton de commande sur **0**.
- ✓ La chaleur résiduelle est affichée sur l'affichage de la zone de cuisson jusqu'à ce que la zone de cuisson se soit refroidie.
- ✓ Lorsque toutes les zones de cuisson sont éteintes, le voyant de la table de cuisson allumée s'éteint. La table de cuisson est éteinte.

7.3 Témoin de chaleur résiduelle

La table de cuisson est équipée d'un indicateur de chaleur résiduelle pour chaque zone de cuisson. L'indicateur de chaleur résiduelle s'allume lorsqu'une zone de cuisson est désactivée. Ne touchez pas la zone de cuisson lorsque l'indicateur de chaleur résiduelle s'allume.

Écran	Signification
H	La zone de cuisson est très chaude.
h	La zone de cuisson est chaude.

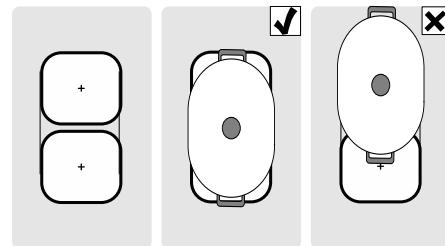
Si vous retirez l'ustensile de la zone de cuisson pendant la cuisson, l'indicateur de chaleur résiduelle et le niveau de puissance sélectionné clignotent en alternance.

7.4 CombiZone

L'utilisation de cette fonction permet de relier les deux zones de cuisson de gauche en une seule zone de cuisson, offrant une plus grande flexibilité de cuisson. Ce faisant, le même niveau de puissance est réglé pour les deux zones de cuisson.

Utilisation correcte des ustensiles de cuisine pour la CombiZone

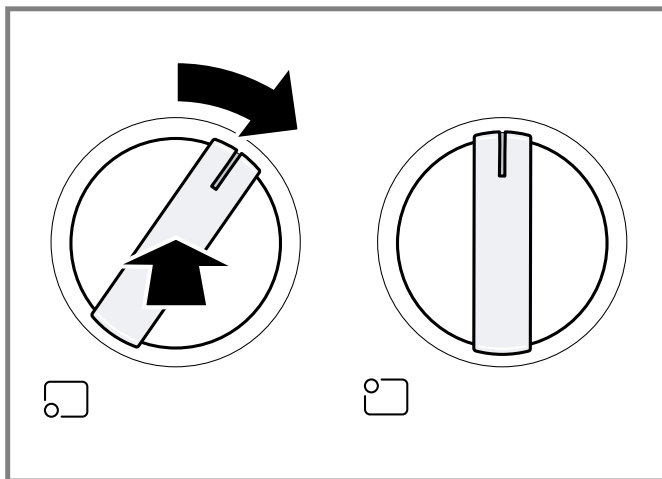
Pour de meilleurs résultats, utilisez des ustensiles de cuisine qui correspondent à la taille des deux zones de cuisson. Placez la batterie de cuisine au centre des zones de cuisson.





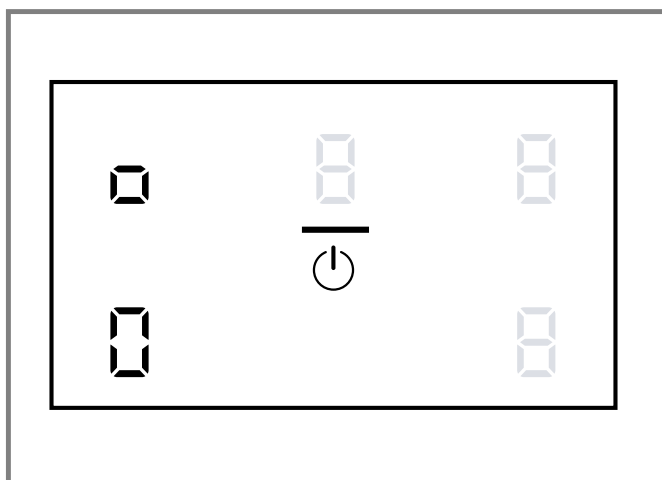
Allumer le CombiZone

1. Si un niveau de puissance est réglé, tournez les deux boutons de commande de gauche sur **0**.

2. Appuyez et tournez le bouton de commande le plus à gauche sur **combi zone**.



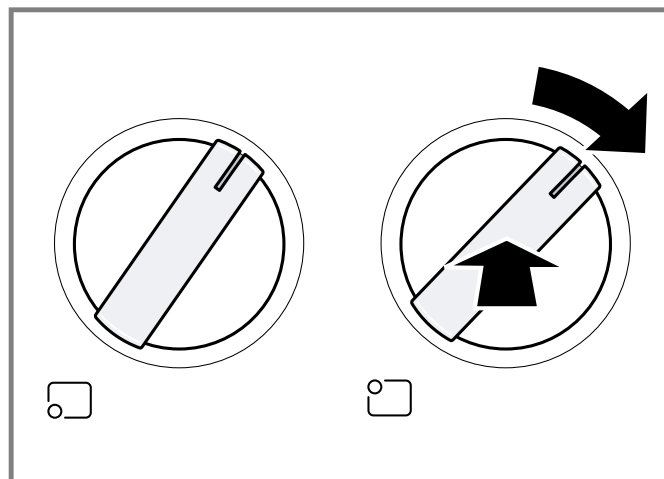
- ✓ Un signal sonore retentit.
- ✓  et  clignotent sur les deux affichages de la zone de cuisson gauche.



- ✓ La fonction CombiZone est activée.

Réglage du niveau de puissance sur le CombiZone

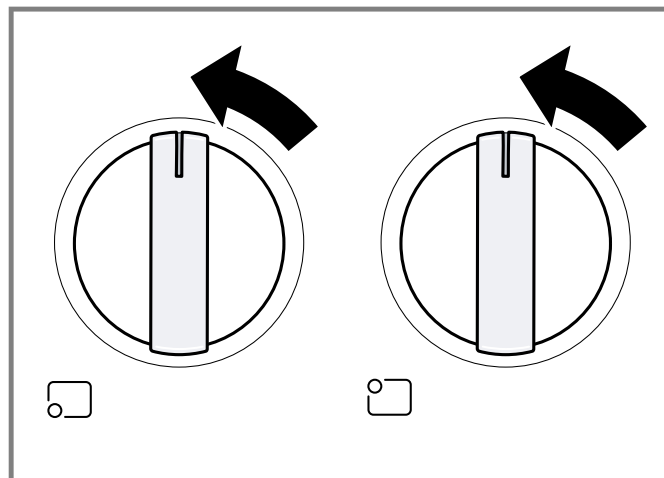
1. Appuyez et tournez le deuxième bouton de commande vers la gauche jusqu'au niveau de puissance souhaité pour la cuisson CombiZone.



- ✓ Les deux niveaux de puissance des zones de cuisson sont liés. Leur état est indiqué sur l'écran de la table de cuisson.
- 2. Vous pouvez régler le niveau de puissance CombiZone à tout moment en tournant le deuxième bouton de commande vers la gauche.

Éteindre le CombiZone

- ▶ Remettez les deux boutons de commande de gauche sur **0**.



- ✓ Un signal sonore retentit.
- ✓ Les deux zones de cuisson peuvent être utilisées indépendamment.

7.5 Zone de réchauffement

Avec les niveaux de réchauffement, vous pouvez utiliser des niveaux de puissance prédéfinis pour diverses applications.

Niveau de puissance	Fonction	Écran	Température °F (°C)
W1	Garder au chaud	-	115 (45)
W2	Fondre		160 (70)
W3	Mijoter		205 (95)

Réglage du niveau de réchauffement

- ▶ Appuyez et tournez le bouton de commande jusqu'au niveau de réchauffement souhaité.
- ✓ La température est maintenue automatiquement au niveau souhaité.

7.6 SpeedBoost®

Avec cette fonction, vous pouvez chauffer de plus grandes quantités d'eau plus rapidement qu'avec le niveau de puissance 9. Cette fonction augmente temporairement la puissance supérieure de la zone de cuisson sélectionnée.

Activation de SpeedBoost®

AVERTISSEMENT

L'huile et le gras chauffent rapidement avec la fonction SpeedBoost®. L'huile et la graisse surchauffées peuvent s'enflammer.

- ▶ Ne laissez jamais la table de cuisson sans surveillance pendant la cuisson.

1. Tournez le bouton de commande de la zone de cuisson souhaitée dans le sens des aiguilles d'une montre jusqu'à 9.

Remarque : Si le bouton de commande est déjà sur la position 9, passez à l'étape suivante.

2. Tourner légèrement le bouton de commande dans le sens des aiguilles d'une sur **max** jusqu'à l'arrêt. Maintenez-le dans cette position pendant 3 secondes jusqu'à ce que **b** s'allume dans l'affichage de la zone de cuisson.
 3. Relâcher le bouton de commande.
- ✓ Le bouton de commande revient automatiquement sur 9.
 - ✓ SpeedBoost® est activé pendant 10 minutes.
 - ✓ Après 10 minutes, un signal retentit et la zone de cuisson passe au niveau de puissance 9.

Désactivation de SpeedBoost®

Si vous ne désactivez pas la fonction SpeedBoost®, elle s'éteint automatiquement après 10 minutes. La zone de cuisson continue de fonctionner avec le niveau de puissance 9.

- ▶ Tournez le bouton de commande à un niveau de puissance différent.
- ✓ **b** s'éteint.
- ✓ La zone de cuisson passe au niveau de puissance 9.



Remarque : Dans certaines circonstances, cette fonction peut se désactiver automatiquement afin de protéger les éléments électroniques à l'intérieur de la table de cuisson.

7.7 Verrouillage du panneau


Vous pouvez utiliser le verrouillage du panneau pour empêcher la table de cuisson de s'allumer accidentellement.

Activation du verrouillage du panneau

Exigence : La table de cuisson est éteinte.

- ▶ Poussez et tournez les deux boutons de commande de la table de cuisson gauche dans le sens antihoraire à  et maintenez-les dans cette position pendant 3 secondes.
- ✓ Le symbole  s'allume à l'écran de la zone de cuisson.
- ✓ La table de cuisson ne répond pas lorsqu'un bouton de commande est actionné.

Désactivation du verrouillage du panneau

- ▶ Poussez et tournez les deux boutons de commande de la table de cuisson gauche dans le sens antihoraire à  et maintenez-les dans cette position pendant 3 secondes.
- ✓ Le panneau de commande de la table de cuisson est déverrouillé.

7.8 Limitation automatique du temps

Si une zone de cuisson est utilisée pendant une période prolongée sans modification des réglages, la fonction de limitation automatique du temps est déclenchée.

La zone de cuisson arrête de chauffer. **FB** et l'indicateur de chaleur résiduelle **H/h** clignotent alternativement à l'écran.

L'indicateur s'éteint lorsque le bouton de commande est réglé sur **0**. La zone de cuisson peut maintenant être réinitialisée.

L'activation de la limitation automatique du temps dépend du niveau de puissance sélectionné (de 1 à 10 heures).

7.9 Gestion de la puissance

La fonction de gestion de la puissance empêche que la puissance totale de la table de cuisson ne soit dépassée.

Si les niveaux de puissance sélectionnés combinés dépassent la puissance disponible, le niveau de puissance sur l'une des zones de cuisson doit être réduit. Le niveau de puissance de la zone de cuisson concernée clignote pendant 3 secondes, avant de diminuer automatiquement d'un niveau.

- Si le niveau de puissance est réduit automatiquement, le niveau de puissance affiché sur l'affichage de la zone de cuisson ne correspond plus au réglage du bouton de commande. Tournez le bouton sur le niveau de puissance indiqué sur l'affichage de la zone de cuisson ou sur un niveau de puissance inférieur.
- Pour éviter la réduction automatique de la puissance, vous pouvez régler manuellement un niveau de puissance inférieur sur l'une des zones de cuisson dans les 3 secondes.

7.10 Cuisson par induction

Avantages de la cuisson par induction

La cuisson par induction est totalement différente de la cuisson traditionnelle, la chaleur étant directement générée dans le récipient. Elle offre donc toute une série d'avantages :

- Gain de temps lors de la cuisson et du rôtissage.
- Économie d'énergie.
- Entretien et nettoyage plus faciles. Les aliments qui ont débordé ne brûlent pas aussi rapidement.
- Contrôle de l'apport de chaleur et sécurité ; la table de cuisson augmente ou réduit immédiatement l'apport de chaleur après chaque manipulation. Le foyer à induction interrompt l'apport de chaleur si vous retirez le récipient du foyer sans l'éteindre au préalable.

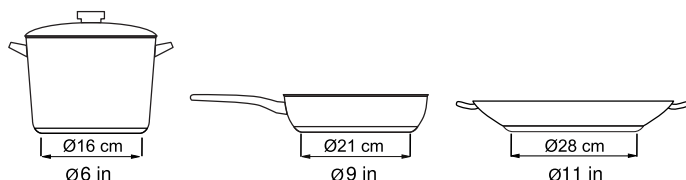
Ustensile de cuisine

Seuls les ustensiles de cuisine ferromagnétiques conviennent à la cuisson par induction.

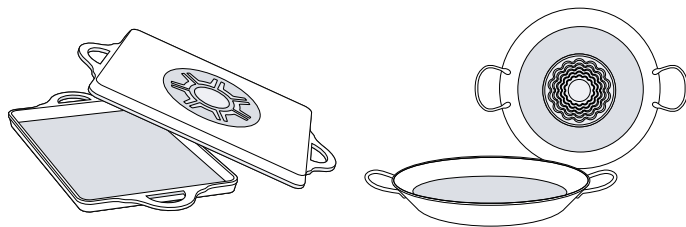
Par exemple :

- Batterie de cuisine en acier émaillé
- Ustensiles de cuisine en fonte
- Batterie de cuisine spéciale en acier inoxydable adaptée à la cuisson à induction

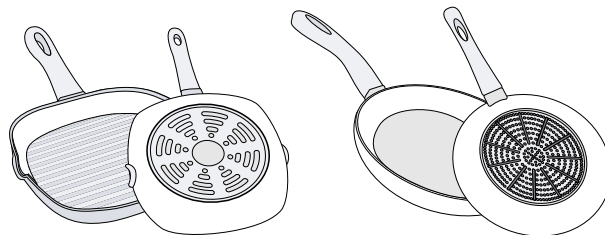
Afin d'obtenir un bon résultat de cuisson, assurez-vous que la zone ferromagnétique du fond de l'ustensile correspond à la taille de la zone de cuisson. Si la batterie de cuisine n'est pas détectée sur une zone de cuisson, placez-la sur une zone de cuisson de plus petit diamètre.



La base de nombreux articles de batterie de cuisine à induction n'est pas entièrement ferromagnétique : Si vous utilisez une grande batterie de cuisine avec une base ferromagnétique plus petite, seule la zone ferromagnétique se réchauffe. En conséquence, la chaleur n'est pas répartie uniformément. La température de la zone non ferromagnétique peut donc être trop basse pour la cuisson.



Les bases de batterie de cuisine qui contiennent de l'aluminium réduisent la zone ferromagnétique. Cela peut réduire le rendement et la batterie de cuisine ne sera pas détectée suffisamment ou pas du tout, et ne sera donc pas suffisamment chauffée.



Récipients inappropriés

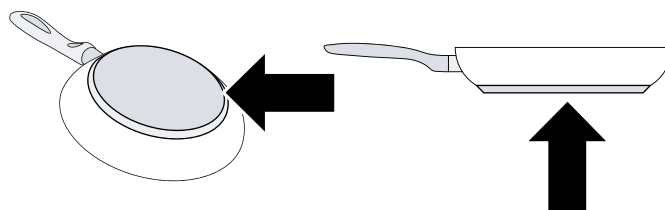
N'utilisez jamais de plaques de diffuseur ou de récipients en :

- acier normal à corps mince
- verre
- terre
- cuivre
- aluminium

Propriétés du fond du récipient

La qualité du fond du récipient peut influencer le résultat de cuisson. Les récipients fabriqués à partir de matériaux répartissant uniformément la chaleur dans la casserole, par ex. des casseroles aux fonds intermédiaires en acier inoxydable, permettent d'économiser du temps et de l'énergie.

Utilisez de préférence des récipients à fond plat, car des fonds de récipients plus ou moins plats nuisent à l'apport de chaleur.



Pas d'ustensiles de cuisine / ustensiles de cuisine de taille inappropriée

Si vous ne placez pas de batterie de cuisine sur la zone de cuisson sélectionnée ou si la batterie de cuisine est faite d'un matériau inadapté ou n'est pas de la bonne taille pour la zone de cuisson, \mathcal{U} s'allume dans l'affichage de la zone de cuisson. Pour éteindre l'affichage, placez un récipient approprié sur la zone de cuisson. Si vous ne placez pas d'ustensile adapté sur la zone de cuisson dans les 30 secondes, celui-ci s'éteint automatiquement.

Récipients vides ou à fond mince

Ne chauffez aucun récipient vide et n'utilisez pas de récipients à fond mince. La table de cuisson est dotée d'un système de sécurité interne. Toutefois, un récipient vide peut très vite chauffer et ne pas laisser le temps à la fonction « d'arrêt automatique » de réagir à temps ; une température trop élevée est alors atteinte. Celle-ci peut faire fondre le fond du récipient et endommager la plaque

vitrocéramique. Dans ce cas, ne touchez pas au récipient et éteignez le foyer. Si le foyer ne fonctionne pas après avoir refroidi, contactez le service après-vente technique.

Détection du récipient

Chaque foyer possède une limite inférieure pour la détection du récipient ; celle-ci dépend du diamètre ferromagnétique et du matériau du fond du récipient. Utilisez par conséquent le foyer qui correspond le mieux au diamètre du fond de la casserole.

8 Fonctionnement du four

Vous trouverez ici tout ce que vous devez savoir sur le fonctionnement de votre four.

8.1 Mise en marche du four

Remarque : Gardez toujours la porte de l'appareil fermée lorsqu'il fonctionne.

1. Tournez le sélecteur de fonctions au mode de fonctionnement souhaité.
 - ✓ Une valeur par défaut pour la température ou le réglage du gril s'affiche.
2. Utilisez les boutons + ou – pour régler la température souhaitée ou régler le gril.
 - ✓ Le four s'allume.

Réglages du gril

Vous devez définir un réglage de gril pour les types de chauffage « gril » et « ébullition par conv ».

Vous pouvez choisir les réglages de gril suivants :

---	Minimum
---	Moyen
---	Maximum

Arrêt du four

- ▶ Tournez le sélecteur de fonctions sur « Arrêt » (OFF).

8.2 Options de réglage du temps

Réglage de l'horloge électronique

Vous pouvez modifier l'horloge si vous en avez besoin (par exemple pour l'heure d'été). Pour ce faire, le four doit être éteint.

1. Appuyez sur le bouton ⌚ deux fois.
 - ✓ ⌚ s'allume sur l'écran.
2. Modifiez l'heure à l'aide des boutons + et –.
 - ✓ Le temps est enregistré automatiquement.

Réglage de la minuterie de cuisine

La minuterie de cuisine est une minuterie à compte à rebours qui n'a aucun effet sur le chauffage du four. La durée de la minuterie de cuisine peut être réglée de 30 secondes à 23 heures et 59 minutes.

1. Appuyez sur la touche ⌚.
 - ✓ ⌚ s'allume.
2. Utilisez les boutons + et – pour régler l'heure souhaitée de la minuterie.
 - ✓ Un signal sonore retentit une fois le temps écoulé.

Remarques

- – Pour modifier le temps restant, appuyez sur le bouton ⌚. Utilisez ensuite les boutons + et – pour modifier le temps restant.
 - Pour annuler la minuterie de cuisine, appuyez sur le bouton ⌚. Réglez ensuite le temps restant à zéro à l'aide des boutons + et –.
- La minuterie de cuisine sera supprimée si la sonde thermique est insérée.

Désactivation de la tonalité

- ▶ Appuyez sur n'importe quel bouton pour désactiver le signal sonore.

Remarque : Vous pouvez modifier la durée du signal sonore dans les paramètres de base.

Règlage du temps de cuisson

La minuterie du four termine automatiquement un mode de chauffage après une période de temps définie.

1. Réglez le type de mode de cuisson et la température.
 - ✓ Le four démarre.
2. Appuyez sur le bouton ⌚ deux fois.
 - ✓ ⌚ s'allume sur l'écran.
3. Utilisez les boutons + et – pour régler la durée de fonctionnement.

La durée de fonctionnement peut être réglée de 1 minute à 13 heures. Le temps de cuisson peut être réglé par incréments d'une minute jusqu'à une heure, puis par incréments de cinq minutes.

- ✓ Le temps de cuisson s'écoule à l'écran.

Remarques

- Effleurez le bouton ⌚ deux fois et utilisez les boutons + et – pour modifier le temps restant.
- Le temps de cuisson sera supprimé si la sonde thermique est insérée.

Temps de cuisson écoulé


Un signal sonore retentit. L'appareil électroménager cesse de chauffer.

1. Pour désactiver le signal, appuyez sur n'importe quel bouton ou ouvrez la porte de l'appareil.
 - Après un court instant, le signal sonore s'arrête automatiquement.
2. Positionnez le sélecteur de fonction sur la position zéro.

Réglez l'heure de fin

Avec cette fonction, vous pouvez programmer votre four pour terminer un mode de chauffage à une heure prédéterminée.

1. Réglez le type de mode de cuisson et la température.
 - ✓ Le four démarre.

2. Appuyez sur le bouton  deux fois.

✓  s'allume sur l'écran.

3. Utilisez les boutons + et - pour régler la durée de fonctionnement.

La durée de fonctionnement peut être réglée de 1 minute à 13 heures. Le temps de cuisson peut être réglé par incréments d'une minute jusqu'à une heure, puis par incréments de cinq minutes.

✓ Le temps de cuisson a été réglé.

4. Appuyez sur la touche .

Lorsque le bouton est enfoncé pour la première fois, une valeur est suggérée à l'écran. Cette valeur suggérée est calculée en utilisant l'heure actuelle sur l'horloge et le temps de cuisson.

✓  s'allume sur l'écran.

5. Utilisez les boutons + et - pour régler l'heure de fin requise.

✓ L'écran affiche l'heure de fin. L'appareil passe en mode veille jusqu'à l'heure de démarrage programmée.

Remarque : L'heure de fin sera supprimée si la sonde thermique est insérée.

Temps de cuisson écoulé

Un signal sonore retentit. L'appareil électroménager cesse de chauffer.

1. Pour désactiver le signal, appuyez sur n'importe quel bouton ou ouvrez la porte de l'appareil.

Après un court instant, le signal sonore s'arrête automatiquement.

2. Positionnez le sélecteur de fonction sur la position zéro.

8.3 Sonde à viande à température interne

La sonde à viande mesure la température interne de l'aliment. Vous pouvez régler une température à cœur et le mode de chauffage s'éteint automatiquement dès que la température réglée est atteinte.

Réglage de la température interne

1. Insérez la sonde dans la viande comme décrit ci-dessous.


2. Connectez la sonde à la prise en haut à gauche de la cavité du four.

3. Fermez la porte du four.

✓  s'affiche à l'écran.

4. Tournez le sélecteur de fonctions à « cuire », « cuisson à conv », « multi-grille » ou « rôtissage à conv ».

5. Réglez la température de cuisson avec les boutons + ou -.

6. Appuyez sur  pour passer à la température cible de la sonde thermométrique.

7. Réglez la température cible de la sonde thermométrique avec les boutons + ou - (70 °F (20 °C) - 195 °F (90 °C)).

Remarque : Si une durée est réglée et que la sonde thermométrique est insérée après, la cuisson se termine lorsque la sonde thermométrique atteint la température souhaitée.

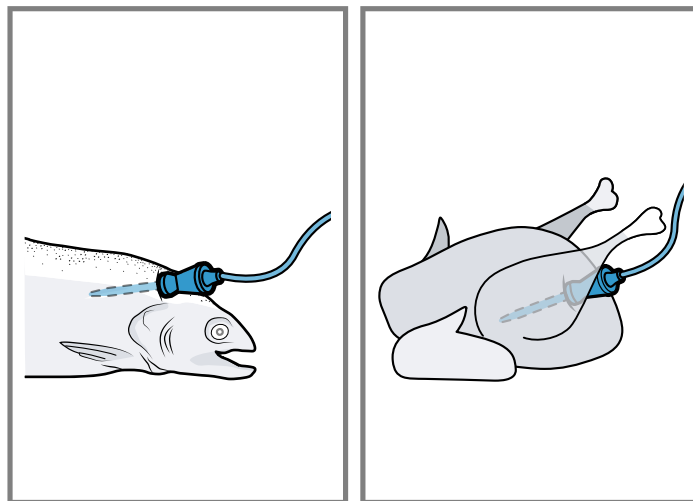
Conseil

- La variation pour la température de la sonde est comprise entre 70 °F (20 °C) et 195 °F (90 °C).
- Ne rangez pas la sonde dans le four.
- Utilisez toujours la sonde par la poignée pour l'insérer et la retirer.
- Utilisez toujours une manique pour retirer la sonde car elle est chaude.
- Puisque la viande continue à cuire après avoir été sortie du four, réglez la température interne (sonde) de 5 à 10 degrés en dessous de la température finale souhaitée température interne (exception volaille).

Insérez la sonde à viande dans l'aliment à cuire

Insérez la sonde à viande dans l'aliment à cuire avant de la placer à l'intérieur du four.






- Introduisez la pointe métallique dans la partie la plus épaisse de l'aliment que vous cuisinez.
- Assurez-vous que l'extrémité de la pointe se trouve plus ou moins au centre.
- Elle ne doit pas être placée dans la graisse et ne doit pas toucher les ustensiles de cuisine ou les os.
- S'il y a plusieurs morceaux, insérez la sonde à viande au milieu du morceau le plus épais.
- Insérez complètement la sonde à viande, si possible. Dans le cas de la volaille, assurez-vous que la pointe de la sonde à viande ne se trouve pas dans la cavité centrale, mais dans la viande entre le ventre et le haut de la cuisse.



8.4 Mode Sabbath

Le mode Sabbath permet aux personnes de religions spécifiques d'utiliser leur four le jour du Sabbath. En mode Sabbath, la durée maximum de fonctionnement du four est de 74 heures.

Réglage du mode Sabbath

1. Assurez-vous que le mode Sabbath est activé dans les paramètres de base.
2. Tournez le sélecteur de fonctions sur « cuisson ».
3. Effleurez  quatre fois.
- ✓  s'affiche à l'écran lors du mode Sabbath.
4. Réglez la température — ou + (100 °F (40 °C) - 450 °F (230 °C)).
5. Appuyez sur .
6. Réglez la durée en utilisant — ou +.
7. Appuyez sur .
- ✓ Le mode Sabbath est réglé.  apparaît à l'écran, tous les autres symboles d'affichage sont éteints. La lumière du four est éteinte.

Conseil : Tournez le sélecteur de fonctions sur « arrêt » (off) pour annuler le mode Sabbath.

8.5 Verrouillage du panneau



Le four est doté d'un panneau de verrouillage pour éviter toute mise en marche accidentelle.

Lorsque le verrouillage du panneau est activé, le panneau est verrouillé et le sélecteur de fonction du four est désactivé.



Remarque : Si la table de cuisson est utilisée, elle ne sera pas affectée par le verrouillage du panneau du four.

Activation du panneau de verrouillage

L'appareil doit être en arrêt.

- ▶ Appuyez et maintenez la touche  enfoncée pendant env. quatre secondes.
- ✓ Le symbole  apparaît à l'écran. Le verrouillage du panneau est maintenant activé.

Désactivation du panneau de verrouillage

- ▶ Appuyez et maintenez la touche  enfoncée pendant env. quatre secondes.
- ✓ Le symbole  sur l'écran s'éteint. Le verrouillage du panneau de commande est maintenant désactivé.

8.6 Tirer le meilleur parti de votre four

Papier d'aluminium

AVERTISSEMENT

Ne pas utiliser de papier aluminium ou de doublure de protection pour revêtir toute partie de l'appareil électroménager, et en particulier la sole du four. L'utilisation de ces doublures peut entraîner un risque de choc électrique ou d'incendie.

Préchauffer le four

- Mettez les grilles du four dans la position désirée avant de faire chauffer le four.
- Faites toujours préchauffer le four.
- Laissez le four préchauffer pendant la préparation des ingrédients de la recette ou des aliments.
- Si vous augmentez la température du four, vous aurez besoin d'un temps de préchauffage plus long.
- L'indicateur de chauffe affiche l'augmentation de la température dans la cavité du four.
→ "Indicateur de température", Page 54
- Lorsque le four est préchauffé, un bip sonore retentit pendant 2 secondes.
- Une fois le four préchauffé, placez les aliments dans le four le plus rapidement possible pour minimiser la perte de chaleur et la diminution de la température du four.

Poêles et plats de cuisson

- Les plats de cuisson en verre absorbent la chaleur. Certains fabricants d'ustensiles de cuisine recommandent de réduire la température de 25 °F lorsque vous utilisez ce type de plat. Respectez les recommandations du fabricant.
- Les plaques à biscuits doivent avoir au moins 1 po de dégagement des deux côtés.
- Utilisez des plats adaptés au degré de brunissage désiré. Pour obtenir une croûte tendre, légère et brun doré, utilisez des plats allant au four en métal anodisé ou brillant.
- Les plats foncés, rugueux ou mats (antiadhésifs ou anodisés) absorbent la chaleur et donnent une croûte plus dorée et plus croustillante. Certains fabricants recommandent de réduire la température de 25 °F (14 °C) lorsque vous utilisez ce type de poêle. Respectez les recommandations du fabricant.
- Les plaques à biscuits ou les plats allant au four isolés feront augmenter la durée de cuisson.
- Ne posez pas de gril ou d'autres objets lourds sur la porte ouverte du four.
- Ne rangez pas les poêles vides ou les pierres à pizza dans le four pendant la cuisson, car cela risquerait de modifier le résultat de la cuisson. Rangez les poêles à l'extérieur du four.

Ouverture de la porte du four

Ouvrez et fermez la porte de l'appareil uniquement en tenant la poignée de porte.

Pour éviter tout risque de brûlure, ne touchez aucune autre partie de la porte. Ouvrez la porte aussi brièvement que possible pour éviter toute baisse de température. Utilisez la lumière intérieure du four pour voir les aliments à travers la fenêtre du four plutôt que d'ouvrir la porte fréquemment.

Cuisson à haute altitude

À haute altitude, les recettes et les temps de cuisson peuvent varier.

Pour des renseignements plus précis, écrire au Service de vulgarisation de la Colorado State University, à Fort Collins, Colorado 80521. Des frais peuvent être exigés pour l'achat de ces guides de cuisson. Préciser le nom du guide de préparation culinaire à haute altitude que vous désirez : renseignements généraux, gâteaux, biscuits, pains, etc.

Condensation

Il est normal de voir une certaine quantité de vapeur d'eau s'échapper des aliments lors de la cuisson.

La quantité dépend de la teneur en humidité de l'aliment. L'humidité peut se condenser sur n'importe quelle surface plus froide que la cavité du four, comme par exemple sur le bandeau de commande.

Cuisson

Le mode Cuisson revient à faire cuire avec de l'air chaud et sec.

Les éléments supérieur et inférieur chauffent à intervalles réguliers pour maintenir la température du four. Le mode Cuisson peut être utilisé pour préparer toute sorte d'aliments, depuis les pâtisseries jusqu'aux plats en casserole. Consultez les conseils de préparation de la recette ou de l'emballage pour connaître les températures et les temps de cuisson.

Conseil

- Préchauffez le four si la recette le recommande.
- Le temps de cuisson varie selon la taille, la forme et le revêtement de l'ustensile utilisé. Les récipients en métal foncés ou les revêtements antiadhésifs permettent d'obtenir une cuisson plus rapide et un brunissage plus intense. Les ustensiles de cuisson isolants, augmentent la durée de cuisson pour la plupart des aliments.
- Pour de meilleurs résultats, faire cuire les aliments sur une seule grille en laissant 1 - 1 ½ po d'espace minimum entre les ustensiles ou les plats et les parois du four.
- Évitez les pertes de chaleur en vérifiant périodiquement la cuisson des aliments par le hublot du four au lieu d'ouvrir la porte.

Cuisson à convection

Le mode Cuisson par Convection est similaire au mode Cuisson.

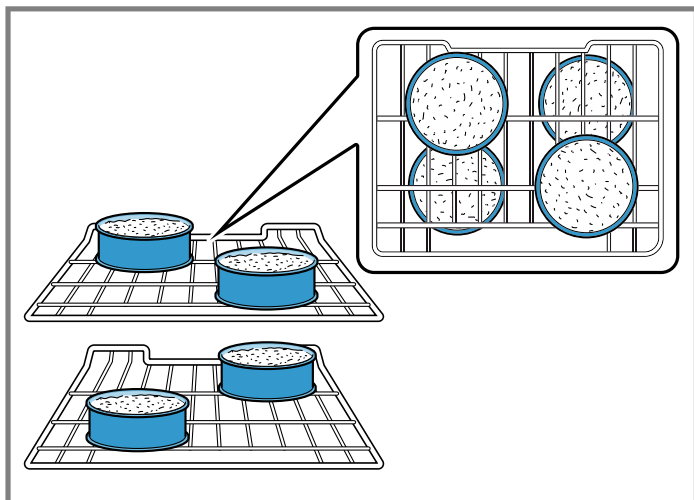
La chaleur provient des éléments chauffants supérieur et inférieur. La principale différence est que la chaleur circule à l'intérieur de la cavité du four grâce au ventilateur à convection. Le mode de Cuisson par Convection est idéal pour la cuisson des gâteaux, des biscuits en barres et des pains pour tirer profit de la chaleur de l'élément inférieur qui donne aux aliments cuits au four une croûte plus savoureuse.

Les avantages du mode Cuisson par Convection sont :

- Une légère diminution de la durée du temps de cuisson.
- Un volume plus élevé (les aliments à base de levure lèvent mieux).

Conseil

- Mettez les aliments dans des moules peu profonds, non couverts, telles des plaques à biscuit sans rebords.
- Si l'on dispose plusieurs moules sur une même grille, laissez au moins 1 po à 1,5 po (2,5 cm à 3,8 cm) d'espace entre les moules.
- Pour les gâteaux, utilisez les positions 2 et 5. Étagez les moules de manière à ce que l'un ne soit pas placé directement au-dessus de l'autre (voir l'illustration suivante).



Multi-grille

Le mode Convection Multi-Rack utilise la chaleur diffusée par un troisième élément situé derrière la paroi arrière du four.

La chaleur circule à l'intérieur du four grâce au ventilateur à convection. Le mode Convection multi-grille convient tout particulièrement aux aliments en portions individuelles, tels les biscuits et les biscottines. Il est également efficace pour la cuisson sur plusieurs grilles (2 ou 3) en même temps. La cuisson des biscuits peut se faire sur 5 grilles différentes simultanément. Dans ce cas, le temps de cuisson augmente légèrement.

Les avantages du mode Multi-Rack sont :

- Un brunissage uniforme.
- Des économies de temps provenant de l'utilisation de plusieurs grilles en même temps.

Conseil

- Mettez les aliments dans des plats peu profonds, non couverts, telles des plaques à biscuit sans rebords.
- Si plus d'un plat cuit sur une grille, laissez environ 1 ½ à 1,5 po (2 à 2,5 cm) d'espace entre les plats. Étagez les plats de manière à ce que l'un ne soit pas placé directement au-dessus de l'autre.

Fermentation

Le mode Apprêt utilise les éléments inférieur du four pour faire lever la pâte à pain ou d'autres types de pâtes à base de levure en les maintenant à basse température.

- Aucun préchauffage n'est nécessaire.
- L'apprêt consiste à faire lever la pâte à levure.
- En utilisant le mode apprêt, la température est comprise entre 85 °F (30 °C) et 125 °F (50 °C).

- Couvrez sans serrer le bol ou l'ustensile de cuisson et utilisez une grille adaptée à la taille du contenant.
- Laissez la porte fermée et utilisez l'éclairage du four pour vérifier la levée de la pâte.

Pizza

En mode Pizza, la chaleur diffusée par les éléments supérieur et inférieur circule dans la cavité du four grâce au ventilateur à convection.

Utilisez le mode Pizza pour les pizzas fraîches ou surgelées.

Conseil

- Lors de la cuisson d'une pizza surgelée : Pour une croûte croustillante, placez-la directement sur la grille. Pour obtenir une croûte plus molle, utilisez une plaque à pizza.
- Pour apprêter la pâte à pizza, badigeonnez celle-ci d'huile d'olive et mettez-la dans un saladier couvert hermétiquement d'un film plastique pour éviter qu'une croûte ne se forme à la surface.
- Saupoudrez de la semoule de maïs sur la plaque à pizza pour éviter que la pâte n'adhère.
- Si vous utilisez une palette à pizza, saupoudrez généreusement celle-ci de semoule de maïs pour transférer la pâte sur la plaque.
- Si vous faites cuire à blanc une pâte à pizza faites à la main, piquez le fond avec une fourchette avant de la mettre au four.
- Si vous utilisez un moule à pizza, choisissez un moule foncé muni de trous pour obtenir une croûte plus croustillante et un moule non troué pour obtenir une croûte plus molle.
- Faites préchauffer les pierres à pizza au four en suivant les recommandations du fabricant pendant.
- Faites cuire les pizzas maison au centre de la grille et placez celles-ci en position 2.
- Pour les pizzas congelées, observez les recommandations du fabricant.

Rôtissage par convection

Le mode Rôtisserie à convection utilise la chaleur diffusée par les éléments inférieurs ainsi que la chaleur qui circule dans la cavité grâce au ventilateur à convection.

Le mode Rôtissage Convection est bien adapté à la préparation des coupes de viande tendres et de la volaille. Il convient également au rôtissage de légumes.

Les avantages du mode Rôtissage Convection sont :

- Une cuisson jusqu'à 25 % plus rapide que les modes n'utilisant pas la cuisson par convection.
- Un brunissage riche, doré.

Conseil

- Il n'est pas nécessaire de préchauffer le four.
- Utilisez la température exacte indiquée sur la recette.
- Vérifiez la cuisson au début car la durée de rôtissage peut être écourtée.
- Ne couvrez pas la viande. N'utilisez pas de sac brunisseur.

- Utilisez un plat à rôtir avec une grille, un lèche frite ou un plat peu profond, à découvert, doté d'une grille pour le rôtissage.
- Utilisez un thermomètre à viande pour déterminer la température interne de celle-ci.
- Si la viande est dorée à votre goût, mais n'est pas encore terminée, du papier d'aluminium peut être placé sur la viande pour éviter la coloration excessive.
- Une fois la viande sortie du four, couvrez-la de papier d'aluminium et laissez reposer de 10 à 15 minutes.

Gril à convection

Le mode Gril Convection est similaire au mode Gril. Ce mode allie la chaleur intense diffusée par l'élément supérieur à l'air chaud qui circule sous l'action d'un ventilateur à convection. Le mode Gril Convection (Gril à convection) est bien adapté à la cuisson des coupes de viande épaisses et tendres, de la volaille et du poisson. Le mode Gril Convection (Gril à convection) n'est pas recommandé pour le brunissage des pains, des plats en casserole et autres aliments. Utilisez toujours le mode Gril Convection avec la porte fermée. Outre les avantages de la cuisson au gril normale, le mode Gril Convection (Gril à convection) est plus rapide.

Conseil

- Préchauffez le four pendant 3 à 4 minutes. Ne préchauffez pas plus de 5 minutes.
- Les biftecks et les côtelettes doivent avoir au moins 1 à 1 ½ po d'épaisseur.
- Pour le rôtissage, utilisez un plat à rôtir, un lèche frite ou un plat profond doté d'une plaque-gril en métal.
- Ne recouvrez pas la grille avec du papier d'aluminium. Elle est conçue pour évacuer les graisses et les huiles de la surface de cuisson afin d'éviter la fumée et les éclaboussures.
- Retournez les viandes (autres que le poisson) une fois pendant le temps de cuisson recommandé. Le poisson n'a pas besoin d'être retourné.
- N'utilisez jamais de verre résistant à la chaleur (Pyrex®); il ne supporte pas les températures élevées.

Gril

Le Gril utilise la chaleur intense diffusée par l'élément supérieur.

Le mode grille convient mieux à la cuisson de morceaux de viande (1 po ou moins), de volaille et de poisson fins et tendres. On peut l'utiliser également pour faire griller le pain et gratiner les plats en casserole. Faites toujours griller les aliments avec la porte fermée.

Les avantages de la cuisson au gril comprennent :

- Une cuisson rapide et efficace.
- Une cuisson sans ajout de graisses ou de liquides.

Conseil

- Préchauffez le four pendant 3 à 4 minutes. Ne préchauffez pas plus de 5 minutes.
- Les biftecks et les côtelettes doivent avoir au moins 3/4 po d'épaisseur.
- Badigeonnez le poisson et la volaille de beurre ou d'huile pour éviter qu'ils ne collent.

- Utilisez un lèche frite avec une grille lors de la cuisson au grill.
- Ne recouvrez pas la grille avec du papier d'aluminium. Elle est conçue pour évacuer les graisses et les huiles de la surface de cuisson afin d'éviter la fumée et les éclaboussures.
- Retournez les viandes (autres que le poisson) une fois pendant le temps de cuisson recommandé. Le poisson n'a pas besoin d'être retourné.
- Lorsque vous faites dorer le dessus des casseroles, n'utilisez que des plats en métal ou en vitrocéramique.
- N'utilisez jamais de verre résistant à la chaleur ; il ne supporte pas les températures élevées.

8.7 Paramètres de base - Four

Vous pouvez modifier les réglages de base de votre appareil en fonction de vos besoins.

Liste des réglages de base

Selon les caractéristiques de votre appareil, tous les réglages de base ne sont pas disponibles.

Écran	Fonction	Options
<i>SOUND</i>	Durée du signal à la fin d'un temps de cuisson ou d'une minuterie	<i>10 SEC</i> = env. 10 secondes <i>30 SEC</i> = env. 30 secondes ¹ <i>120 SEC</i> = env. 2 minutes
<i>TIME OUT</i>	Temps d'attente jusqu'à ce qu'un paramètre soit appliqué	<i>3 SEC</i> = env. 3 secondes ¹ <i>6 SEC</i> = env. 6 secondes <i>10 SEC</i> = env. 10 secondes
<i>TONE</i>	Bouton de tonalité retentit lorsqu'on touche un bouton	<i>NO</i> = arrêt <i>YES</i> = en marche ¹
<i>DISPLAY</i>	Luminosité de l'éclairage de l'écran	<i>1</i> = dim <i>2</i> = moyenne ¹ <i>3</i> = lumineux
<i>CLOCK</i>	Affiche l'heure de l'horloge	<i>NO</i> = cacher l'horloge <i>12 YH ES</i> = affichage de l'horloge sur 12 heures ¹ <i>24 YH ES</i> = affichage de l'horloge sur 24 heures
<i>Light</i>	L'éclairage intérieur est allumé lorsque l'appareil est en fonctionnement	<i>OFF</i> = non <i>ON</i> = oui ¹
<i>COOL FAN</i>	Temps de fonctionnement du ventilateur de refroidissement	<i>284 °F / 140 °C</i> = À plus de 284 °F / 140 °C ¹ <i>230 °F / 110 °C</i> = À plus de 230 °F / 110 °C <i>176 °F / 80 °C</i> = À plus de 176 °F / 80 °C <i>140 °F / 60 °C</i> = À plus de 140 °F / 60 °C
<i>FACTORY</i>	Réinitialisez toutes les valeurs aux réglages d'usine	<i>NO</i> = non ¹ <i>YES</i> = oui
<i>DEMO</i>	Activez le mode démo. Le mode démo est utilisé pour la démonstration - le four ne chauffe pas réellement en mode démo. Le mode démo ne peut être activé que dans les 5 minutes suivant le raccordement à l'alimentation principale.	<i>OFF</i> = non ¹ <i>ON</i> = oui
<i>TEMP ind</i>	Régler l'unité de température.	<i>FAHRENH</i> = Fahrenheit (°F) ¹ <i>CELSIUS</i> = Celsius (°C)






¹ Réglages d'usine (peut varier selon l'appareil)

Écran	Fonction	Options
SABBATH	Mode Sabbat disponible	OFF = non ON = oui ¹

¹ Réglages d'usine (peut varier selon l'appareil)

Modification des réglages de base

Le sélecteur de fonction doit être à la position « Arrêt » (Off).

- Appuyez et maintenez la touche  enfoncée pendant env. 4 secondes. Le premier réglage de base s'affiche à l'écran, par ex. *SOUND*.
 - Appuyez de nouveau sur le bouton  pour modifier le réglage de base.
 - Utilisez les boutons $-$ ou $+$ pour modifier le réglage de base.
 - Appuyez de nouveau sur le bouton  pour enregistrer le réglage de base.
 - Utilisez les boutons $+$ pour accéder au paramètre de base suivant.
 - Utilisez le bouton $-$ ou $+$ pour continuer à travers tous les réglages de base comme décrit ci-dessus et utilisez le bouton  pour sélectionner et modifier les paramètres si nécessaire.
 - Lorsque vous avez terminé, appuyez de nouveau sur le bouton  et maintenez-le enfoncé pendant env. 4 secondes afin de confirmer les réglages. Cela s'applique à tous les réglages de base.
- ✓ Cela s'applique à tous les réglages de base.

Remarque

- Vous pouvez à nouveau modifier les paramètres de base à tout moment. Le mode démo ne peut être activé que dans les 5 minutes suivant le raccordement à l'alimentation principale.
- Vos modifications des réglages de base seront conservées même après une panne de courant.

9 Nettoyage et entretien

Pour que votre appareil reste longtemps opérationnel, nettoyez-le et entretenez-le avec soin.

9.1 Nettoyage et entretien – Table de cuisson

Produits de nettoyage

Vous pouvez acheter des nettoyeurs et des grattoirs à verre appropriés auprès du service à la clientèle ou dans notre boutique en ligne www.bosch-home.com/us/shop.

Conseil : Les produits de nettoyage Bosch ont été testés et approuvés pour être utilisés sur les appareils Bosch. La recommandation d'autres produits de nettoyage ne signifie pas que nous cautionnons une marque en particulier.

Produits de nettoyage recommandés

- Nettoyant pour table de cuisson vitrocéramique
- Bosch agent nettoyant table de cuisson en verre
- BonAmi®¹
- Soft Scrub®¹ (sans javellisant)
- Vinaigre blanc

Produits de nettoyage inappropriés

- Les produits de nettoyage pour les vitres qui contiennent de l'ammoniaque ou un agent de blanchiment au chlore. Ces nettoyeurs peuvent endommager ou tacher de façon permanente la table de cuisson.
- Les produits de nettoyage caustiques, tel Easy Off®¹. Ces nettoyeurs peuvent tacher la surface de cuisson.
- Produits de nettoyage abrasifs.
- Les tampons métalliques, les tampons à récurer, tel Scotch Brite®¹. Ces nettoyeurs peuvent rayer la surface de cuisson et / ou laisser des marques métalliques.
- Les tampons à récurer savonneux, tel SOS®¹. Ces nettoyeurs peuvent rayer la surface de cuisson.
- Les produits de nettoyage en poudre contenant un agent de blanchiment au chlore. Ces nettoyeurs peuvent tacher de façon permanente la surface de cuisson.
- Les produits de nettoyage inflammables, tels que de l'essence à briquet ou WD 40®¹.

Nettoyage de la table de cuisson vitrocéramique

AVERTISSEMENT

Nettoyez la table de cuisson avec prudence.

- Si une éponge ou un chiffon humide est utilisé pour essuyer les déversements sur une zone de cuisson chaude, veillez à ne pas brûler à la vapeur.
- Certains nettoyeurs dégagent des fumées nocives lorsqu'ils sont appliqués sur une surface chaude.
- Ne pas nettoyer l'appareil pendant qu'il est encore chaud.

Exigence

- La table de cuisson a refroidi.
 - Exception : Retirer immédiatement le sucre sec, le sirop de sucre, le lait et les produits à base de tomate.
→ "Recommandations en matière de nettoyage", Page 71
- Essuyez les éclaboussures avec une éponge propre et humide ou une serviette en papier.
 - Rincez et séchez.
 - Si une tache persiste, utilisez du vinaigre blanc.
 - Rincer et sécher à nouveau.

¹ Ces marques sont des marques déposées de leurs propriétaires respectifs. Toutes les autres marques sont des marques de BSH Home Appliances Corporation ou ses sociétés affiliées.

5. Appliquez une petite quantité de nettoyant pour table de cuisson avec une serviette en papier ou un chiffon propre et laissez sécher.
6. Polissez la surface avec une serviette en papier ou un chiffon propre.

Nettoyage du cadre de la table de cuisson

Pour les modèles avec un cadre en métal, suivez ces instructions de nettoyage.

Remarques

- Essuyez le cadre de la table de cuisson dans le sens du grain.
- Pour les sols modérés à lourds, utilisez BonAmi®¹ ou Soft Scrub®¹ (sans javelisant).

1. Essuyez avec une éponge ou un chiffon humide.
2. Rincez et séchez.

Recommandations en matière de nettoyage

Suivez ces instructions de nettoyage pour éliminer les salissures courantes.

AVERTISSEMENT

La lame du grattoir à verre est extrêmement tranchante. Vous pouvez vous couper.

- ▶ Remplacez la lame immédiatement, lorsque vous voyez des imperfections.
- ▶ Suivre les instructions du fabricant.

AVIS :

Les bagues en diamant peuvent rayer la surface de cuisson en céramique.

- ▶ Retirez tous les bagues avant de nettoyer la surface de cuisson en céramique.

Type de tache	Recommandations
<ul style="list-style-type: none"> ■ Sucre sec ■ Sirop de sucre ■ Lait ■ Taches de tomates ■ Feuille ou pellicule de plastique fondu 	<p>RETIREZ IMMÉDIATEMENT. Le fait de ne pas éliminer ces substances immédiatement peut endommager définitivement la surface de cuisson en céramique.</p> <p>Retirez la saleté avec le grattoir à verre pendant que la surface de cuisson est encore chaude.</p> <p>Utilisez un nouveau rasoir tranchant dans le grattoir à verre.</p> <ul style="list-style-type: none"> ■ Retirez la batterie de cuisine et éteignez la zone de cuisson. ■ Mettez un gant de cuisine.

¹ Ces marques sont des marques déposées de leurs propriétaires respectifs. Toutes les autres marques sont des marques de BSH Home Appliances Corporation ou ses sociétés affiliées.

Type de tache	Recommandations
	<ul style="list-style-type: none"> ■ Tenez le grattoir à verre à un angle de 30° et grattez le saleté. Veillez à ne pas entailler ou rayer la surface en vitrocéramique. ■ Retirer la tache de la zone chauffée. ■ Laissez refroidir la surface. ■ Retirez les résidus et appliquez un nettoyant pour table de cuisson en vitrocéramique.
<ul style="list-style-type: none"> ■ Tache alimentaire brûlé ■ Stries sombres ■ Taches sombres 	<ul style="list-style-type: none"> ■ Posez une serviette en papier humide ou une éponge sur le sol pendant 30 minutes pour ramollir la tache. ■ Enlevez la saleté avec un épurateur en plastique et un nettoyant pour table de cuisson en vitrocéramique ou avec le grattoir à verre. ■ Rincez la surface de cuisson et séchez-la.
Éclaboussures graisseuses	<ul style="list-style-type: none"> ■ Retirez la graisse avec une éponge ou un chiffon savonneux. ■ Rincez soigneusement la surface de cuisson et séchez-la. ■ Appliquer le produit de nettoyage pour table de cuisson en vitrocéramique.
Traces métalliques : tache iridescente	<p>Les casseroles dont la base est en aluminium, en cuivre ou en acier inoxydable peuvent laisser des traces.</p> <p>Traitez les marques de métal immédiatement après le refroidissement de la surface de cuisson. Le non-respect de cette consigne rend le retrait très difficile.</p> <ul style="list-style-type: none"> ■ Nettoyez la surface de cuisson avec un nettoyant pour table de cuisson vitrocéramique. ■ Si cela ne supprime pas les marques, nettoyez la surface de cuisson avec une serviette

¹ Ces marques sont des marques déposées de leurs propriétaires respectifs. Toutes les autres marques sont des marques de BSH Home Appliances Corporation ou ses sociétés affiliées.

¹ Ces marques sont des marques déposées de leurs propriétaires respectifs. Toutes les autres marques sont des marques de BSH Home Appliances Corporation ou ses sociétés affiliées.

Type de tache	Recommandations
	<p>en papier humide et un abrasif doux (Bon Ami®¹, Soft Scrub®¹ sans javellisant).</p> <ul style="list-style-type: none"> ■ Rincer la surface de cuisson et appliquer un nettoyant pour vitrocéramique.
Taches d'eau calcaire	<p>Des liquides de cuisson chauds peuvent s'égoutter ou se renverser sur la surface de cuisson. Les minéraux de certaines eaux peuvent être transférés sur la surface de la table de cuisson et provoquer des taches.</p> <p>Éliminer les débordements et les taches avant de réutiliser la table de cuisson.</p> <ul style="list-style-type: none"> ■ Nettoyez la surface de cuisson avec du vinaigre blanc non dilué. ■ Rincez la surface de cuisson et séchez-la. ■ Appliquez le produit de nettoyage pour table de cuisson en vitrocéramique.
Rayures sur la surface	<p>Les petites rayures sont courantes et n'affectent pas la cuisson. Elles deviennent plus lisses et moins visibles avec l'usage quotidien du produit de nettoyage pour table de cuisson en vitrocéramique.</p> <ul style="list-style-type: none"> ■ Appliquez un nettoyant pour table de cuisson vitrocéramique avant la cuisson, pour éliminer les grains de sable et les gravillons tels que le sel et les assaisonnements. ■ Il est possible de réduire les rayures en utilisant des casseroles dont la base est lisse, propre et sèche avant de les utiliser. Utiliser tous les jours le produit de nettoyage pour table de cuisson en vitrocéramique.

¹ Ces marques sont des marques déposées de leurs propriétaires respectifs. Toutes les autres marques sont des marques de BSH Home Appliances Corporation ou ses sociétés affiliées.

Entretien

Cet appareil ne nécessite aucun entretien autre que le nettoyage quotidien. Pour de meilleurs résultats, appliquez quotidiennement de la crème nettoyante pour table de cuisson.

9.2 Nettoyage et entretien – Four

Pour éviter les risques d'électrocution, avant de réparer l'appareil, coupez l'alimentation au niveau du panneau de service et verrouillez le panneau pour éviter que l'alimentation ne soit accidentellement activée.

Nettoyage du four

Éviter ces produits de nettoyage

Ne pas utiliser les produits de nettoyage commerciaux tels que Easy Off®. Ils risquent d'abîmer le fini ou les pièces du four.

Le chlore ou les composés chlorés de certains nettoyants sont corrosifs pour l'acier inoxydable. Vérifier les ingrédients sur l'étiquette.

Ne jamais utiliser des tampons à récurer ou des produits de nettoyage abrasifs.

Guide de nettoyage de four

Les produits nettoyants recommandés ci-dessous et à la page suivante indiquent un type et ne signifient pas que nous cautionnons une marque en particulier. Utilisez tous les produits en suivant les instructions de l'emballage.

Pièce	Recommandations
Grille plate	Nettoyez à l'eau chaude savonneuse. Rincer soigneusement et sécher, ou frotter doucement avec de la poudre nettoyante ou des tampons remplis de savon comme indiqué.
Rail télescopique	Nettoyez à l'eau chaude savonneuse. Rincer soigneusement et sécher, ou frotter doucement avec de la poudre nettoyante ou des tampons remplis de savon comme indiqué. Évitez d'insérer de la poudre de nettoyage dans les rails télescopiques. Il peut s'avérer nécessaire de lubrifier de nouveau les glissières. Utilisez uniquement des lubrifiants pour haute température de qualité alimentaire pour les lubrifier.
Joint de porte	Le joint doit être souple et élastique. Pour garder le joint de porte propre, utilisez une éponge non abrasive et lavez à l'eau tiède.
Verre	Nettoyez avec de l'eau savonneuse ou avec un nettoyant pour vitres. Appliquez le produit Fantastik® ¹ ou Formula 409® ¹ sur une éponge ou un essuie-tout propre et essuyez-le. Évitez d'utiliser des produits de nettoyage en poudre, des tampons de laine d'acier et des nettoyants pour fours.

¹ Ces marques sont des marques déposées de leurs propriétaires respectifs. Toutes les autres marques sont des marques de BSH Home Appliances Corporation ou ses sociétés affiliées.

Pièce	Recommandations
Surfaces peintes	Nettoyez à l'eau savonneuse ou appliquez les produits Fantastik® ¹ ou Formula 409® ¹ sur une éponge propre ou un essuie-tout et essuyer. Évitez d'utiliser des produits de nettoyage en poudre, des tampons de laine d'acier et des nettoyeurs pour fours.
Surfaces en porcelaine	Essuyez immédiatement les déversements acides comme le jus de fruits, le lait et les tomates avec un chiffon sec quand la surface est assez froide pour être touchée. N'utilisez pas d'éponge ou de chiffon humide sur la porcelaine chaude. Une fois refroidi, nettoyez avec de l'eau chaude savonneuse ou appliquez le nettoyant Bon-Ami® ¹ ou Soft Scrub® ¹ sur une éponge humide. Rincez et séchez. Pour les taches tenaces, utiliser des tampons savonneux. Il est normal que la porcelaine présente de fines ridules avec l'âge en raison de l'exposition à la chaleur et au sol alimentaire.
Surfaces en acier inoxydable	Ne laissez jamais de taches alimentaires ou du sel sur de l'acier inoxydable, peu importe la durée de temps. Essuyez ou frottez toujours dans la direction du grain. Nettoyez avec une éponge savonneuse puis rincez, séchez, ou essuyez avec le produit Fantastik® ¹ ou Formula 409® ¹ vaporisé sur un essuie-tout. Protégez et polissez avec le produit Stainless Steel Magic® ¹ et un chiffon doux. Protégez et conditionnez avec le conditionneur d'acier inoxydable Bosch (n° de commande 00576696) et un chiffon doux. Ne pas appliquer sur les logos et l'étiquetage. Retirer les traces d'eau avec un chiffon humecté de vinaigre blanc. Utilisez Bar Keeper's Friend® ¹ pour éliminer les traces d'oxydation. Le chlore ou les composés chlorés de certains nettoyeurs sont corrosifs pour l'acier inoxydable. Vérifiez les ingrédients sur l'étiquette.
Plastique et contrôles	Lorsqu'il est refroidi, nettoyez à l'eau savonneuse puis rincez et séchez.
Sonde à viande	Essuyez à l'eau savonneuse. Ne plongez pas dans l'eau. Ne lavez pas au lave-vaisselle.

¹ Ces marques sont des marques déposées de leurs propriétaires respectifs. Toutes les autres marques sont des marques de BSH Home Appliances Corporation ou ses sociétés affiliées.

Pièce	Recommandations
Zones imprimées (mots et chiffres)	N'utilisez pas de nettoyeurs abrasifs ou de solvants à base de pétrole.

¹ Ces marques sont des marques déposées de leurs propriétaires respectifs. Toutes les autres marques sont des marques de BSH Home Appliances Corporation ou ses sociétés affiliées.

Nettoyage des surfaces autonettoyantes

MISE EN GARDE

N'utilisez pas de nettoyant pour four sur les surfaces autonettoyantes. Cela endommagera les surfaces.

- ▶ Si le nettoyant pour four entre en contact avec ces surfaces, épongez immédiatement avec de l'eau et un tissu-éponge.
- ▶ Ne frottez pas la surface et n'utilisez pas de produits de nettoyage abrasifs.

1. Utilisez un tissu microfibre avec de l'eau savonneuse pour nettoyer les parties supérieures et inférieures des surfaces auto-nettoyantes.
2. Sélectionnez Multi-Grille, et réglez la température à 550 °F (290 °C).
3. Éteignez l'appareil au bout d'une heure.
4. **Remarque :** La surface auto-nettoyante du panneau arrière doit rester dans la cavité du four.
Si les surfaces latérales auto-nettoyantes sont particulièrement sales, retirez-les de la cavité du four.
→ *"Comment retirer les guides de grille et les surfaces auto-nettoyantes", Page 73*
5. Lavez les surfaces autonettoyantes à l'eau chaude savonneuse.
6. Rincez et séchez les surfaces auto-nettoyantes.
7. Insérez les surfaces auto-nettoyantes dans la cavité du four.
8. Sélectionnez Multi-Grille, et réglez la température à 350 °F (175 °C).
9. Éteignez l'appareil au bout d'une heure.

Entretien

Comment retirer les guides de grille et les surfaces auto-nettoyantes

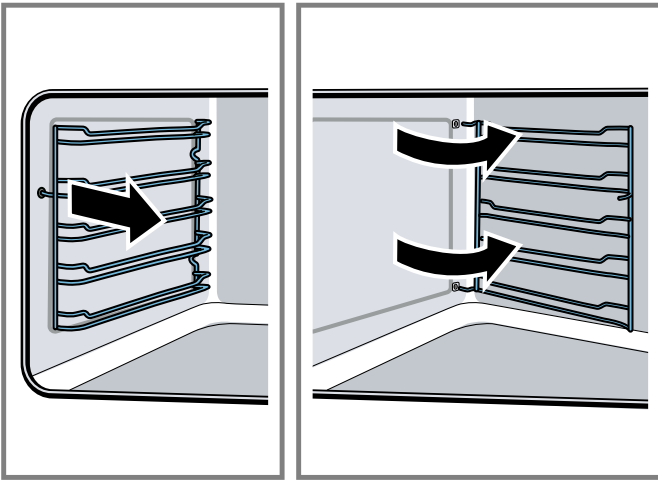
Les guides de grille sont fixés aux panneaux latéraux de la cavité du four en trois points. Les surfaces autonettoyantes sont maintenues par les guides de crémaillère.

AVERTISSEMENT

Les guides de crémaillère et les surfaces auto-nettoyantes deviennent très chauds.

- ▶ Ne touchez jamais les guides de grille et les surfaces auto-nettoyantes lorsqu'ils sont chauds.
- ▶ Toujours laisser l'appareil électroménager refroidir.
- ▶ Gardez les enfants à une distance sécuritaire.

1. Lorsque le four est froid, saisissez l'avant du guide de grille et tirez-le vers le milieu de la cavité du four.
✓ Le crochet avant du guide de crémaillère sortira du trou.
2. Faites pivoter le guide de grille davantage et retirez-le des trous arrière du panneau latéral.
3. Retirez les guides de grille de la cavité du four.



4. Remplacez les surfaces auto-nettoyantes et les guides de grille dans l'ordre inverse dans lequel ils ont été enlevés.

Comment retirer la vitre de la porte du four

Pour faciliter le nettoyage, les vitres intérieures de la porte peuvent être enlevées.

⚠ AVERTISSEMENT

Les panneaux de verre sont grands, lourds et certaines parties sont fragiles. Si le verre n'est pas saisi fermement et correctement, il y a un risque de blessure ou de dommage à l'appareil.

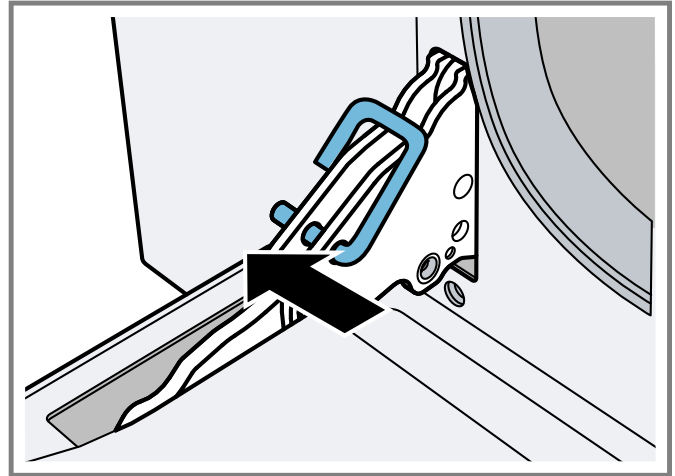
- ▶ Utilisez les deux mains pour retirer le verre.
- ▶ Manipulez-les avec précaution pour éviter des cassures.
- ▶ Ne posez pas le verre enlevé sur des objets pointus ou tranchants, car cela pourrait la briser.
- ▶ Posez le verre sur une surface plane et lisse de sorte qu'il ne risque pas de tomber.

⚠ MISE EN GARDE

Pour éviter de se couper les doigts sur du verre cassé, portez des gants.

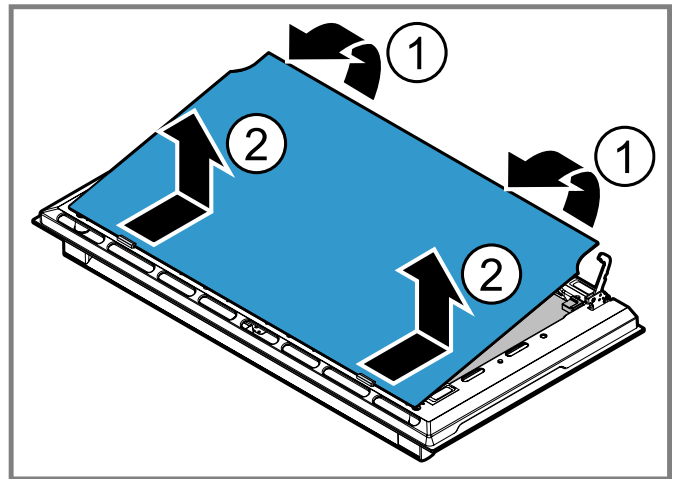
1. Ouvrez complètement la porte du four.

2. Verrouillez les charnières gauche et droite à l'aide de la goupille de verrouillage. Les goupilles de verrouillage doivent être complètement insérées dans les trous des charnières.

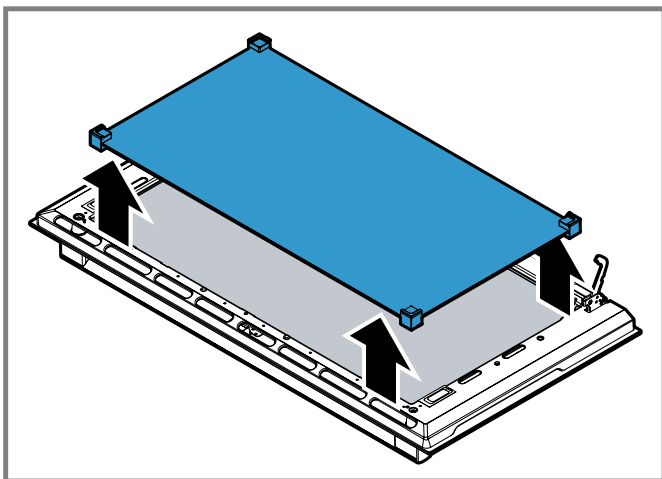


3. ⚠ **MISE EN GARDE** Déplacez lentement la vitre pour éviter d'endommager la vitre et le cadre de la cavité du four.

Enlevez la vitre intérieure en tirant doucement la partie arrière vers le haut, tout en suivant le mouvement indiqué par les flèches ①. De cette façon, les 2 premières broches attaché à l'arrière de la vitre se détachent de leurs logements dans la porte du four. Ensuite, poussez légèrement la vitre vers la cavité du four et tirez-la vers le haut ②. De cette façon, les 2 autres broches attaché à l'avant de la vitre se détachent de leurs logements de la porte du four.



4. Retirez la vitre intermédiaire en la soulevant vers le haut.



5. Nettoyez la vitre extérieure et celles retirées précédemment.

Utilisez du papier absorbant. En cas de saleté tenace, lavez avec une éponge humide et un détergent neutre.

6. Remettez en place le panneau central.

Assurez-vous que le panneau soit correctement installé. Tous les supports en caoutchouc doivent être posés à plat contre le panneau extérieur.

- ✓ Si le symbole Faible-E peut être lu, cela signifie que le panneau central est correctement installé.

7. **⚠ MISE EN GARDE** Ne pas utiliser si la vitre intermédiaire n'est pas correctement remontée.

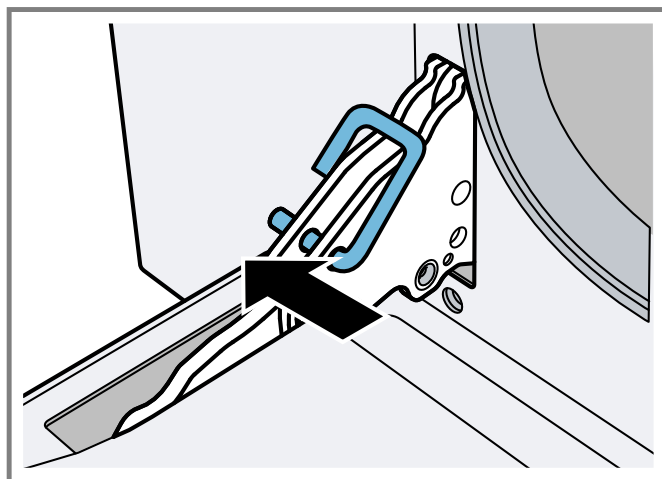
Repositionnez la vitre intérieure. Insérez d'abord la partie avant dans les deux clips et les 2 broches à l'avant dans leurs logements. Insérez ensuite les 2 broches à l'arrière dans leurs logements dans la porte du four en appliquant une légère pression.

8. Retirez les goupilles de blocage et fermez la porte du four.

- ▶ Pour éviter toute blessure causée par l'enclenchement soudain du support de charnière, s'assurer que les deux leviers sont bien enclenchés avant d'enlever la porte.
- ▶ Ne forcez pas la porte pour l'ouvrir ou la fermer. La charnière pourrait être endommagée et provoquer des dommages ou des blessures.
- ▶ Ne pas déposer la porte sur des objets acérés ou pointus, car ils risquent de briser la vitre. Posez-la sur une surface plane et lisse, positionnée de manière à ce que la porte ne puisse pas tomber.

Remarque : Pour éviter de vous blesser ou d'endommager l'appareil, lisez attentivement l'AVERTISSEMENT ci-dessus avant d'essayer d'enlever la porte du four.

1. Ouvrez la porte du four dans sa position complètement ouverte.
2. Verrouillez les charnières gauche et droite à l'aide de la goupille de verrouillage. Les goupilles de verrouillage doivent être complètement insérées dans les trous des charnières.



Comment retirer la porte du four

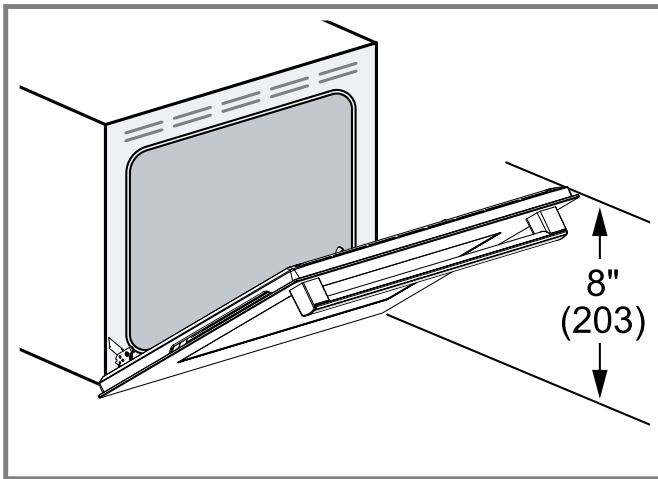
⚠ AVERTISSEMENT

Le non-respect de ces instructions lors du retrait de la porte du four peut entraîner des blessures ou endommager le produit.

- ▶ Avant de démonter la porte, s'assurer que le four soit froid et que le courant qui l'alimente a été coupé. Le non-respect de cette précaution pourrait entraîner un choc électrique ou des brûlures.
- ▶ La porte du four est lourde et certaines parties sont fragiles. Utilisez les deux mains pour retirer la porte du four.
- ▶ Le devant de la porte est en verre. Manipulez-la avec précaution pour éviter des cassures.
- ▶ Saisir uniquement les côtés de la porte. Ne saisissez pas la poignée. Il peut osciller dans votre main et provoquer des dommages ou des blessures. Si la porte du four n'est pas saisie fermement et correctement, il y a un risque de blessure ou de dommage à l'appareil.

3. **⚠ MISE EN GARDE** La fermeture de la porte de 8 po (203 mm) enlève la pression du ressort. Si cela n'est pas fait, la porte peut toujours être retirée, mais le loquet peut se refermer et vous pincer ou vous couper la main.

Fermez la porte du four jusqu'à ce qu'elle s'enclenche sur les leviers d'arrêt des charnières tout en verrouillant ces dernières selon l'angle correct pour le retrait de la porte. La porte peut être retirée lorsqu'elle est soulevée d'environ 8 pouces (203 mm) de la position ouverte. La tension des charnières à ressort est ainsi relâchée, ce qui permet à la porte de s'ouvrir facilement.



4. La porte est lourde. Utilisez les deux mains pour le saisir fermement par les côtés. Ne saisissez pas la porte par la poignée. En maintenant l'angle de la porte au même niveau, soulevez cette dernière d'environ 3/4 po (19 mm) vers le haut pour décrocher les charnières des fentes. Tirez la porte vers vous jusqu'à ce que les charnières soient dégagées du boîtier du four.
5. Placez la porte dans un endroit pratique et stable pour le nettoyage.
6. Remplacez la porte dans l'ordre inverse dans lequel elle a été retirée.

Remarque : Ne jetez pas les goupilles de verrouillage. Gardez-les en lieu sûr. Ils seront nécessaires chaque fois que la porte sera retirée de l'appareil.

Remplacement d'un éclairage de four

⚠ AVERTISSEMENT

LORS DU REMPLACEMENT D'UNE LAMPE DU FOUR :

- ▶ Assurez-vous que l'appareil et les lumières sont froids et que l'appareil a été mis hors tension avant de remplacer la ou les ampoules. Le non-respect de cette consigne peut entraîner un choc électrique ou des brûlures.
- ▶ Portez des gants.
- ▶ Les lentilles doivent être en place lors de l'utilisation de l'appareil.
- ▶ Les lentilles servent à protéger l'ampoule de la rupture.

- ▶ Les lentilles sont en verre. Manipulez les lentilles avec précaution pour éviter de les endommager. Le verre brisé peut causer des blessures.
- ▶ La prise de courant est sous tension lorsque la porte est ouverte.

La prise d'éclairage est sous tension lorsque la porte est ouverte si l'alimentation principale n'est pas coupée.

- ▶ Coupez l'alimentation électrique principale sur le panneau de service avant de changer les ampoules.

Caractéristiques des ampoules :

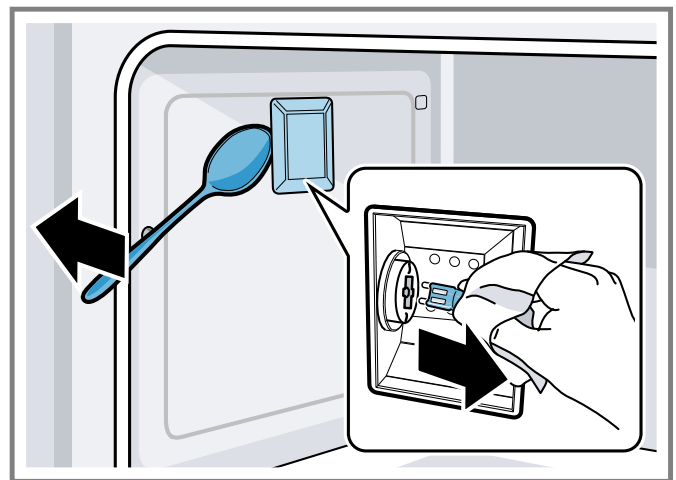
- Voltage : 120 V
- Puissance : 40 W
- Ajustement : G9
- Résistance à la température : 575 °F (300 °C)

Pour changer l'ampoule :

1. Laisser refroidir la cavité du four.
2. Ouvrez la porte de l'appareil électroménager.
3. Placez un linge dans la cavité du four pour éviter de l'endommager.
4. Retirez les grilles et les guides de grille.
5. Retirez le couvercle en verre.

Pour ce faire, ouvrez manuellement le couvercle en verre situé à l'avant. Si vous avez de la difficulté à enlever le couvercle en verre, utilisez une cuillère pour vous aider.

6. Retirez l'ampoule du four.



7. Remplacez l'ampoule du four par une ampoule du même type.
8. Remplacez le couvercle en verre de l'ampoule du four.
9. Remplacez les guides de grille et les grilles.
10. Retirez le linge.
11. Réenclenchez le disjoncteur.
12. Vérifiez que la lumière du four fonctionne à nouveau.

10 Tableaux de cuisson

Les tableaux sont à titre indicatif. Suivez les instructions sur l'emballage ou la recette.

10.1 Produits de boulangerie/entrées

Les tableaux sont à titre indicatif. Respectez le mode de préparation de l'emballage ou de la recette.

Gâteaux

Aliment	Mode de cuisson recommandé	Température du four en °F (°C)	Préchauffez le four	Nombre de grilles	Position de la grille	Durée en minute	Taille et type de casserole
Gâteau des anges	bake	350 (175)	Oui	Simple	2, 3	45-55	Tube de 10 po (25 cm)
Gâteau des anges	conv bake	325 (160)	Oui	Simple	2, 3	45-55	Tube de 10 po (25 cm)
Bundt® ¹	bake	350 (175)	Oui	Simple	2, 3	55-65	Bundt® ¹ 12 tasses
Bundt® ¹	conv bake	325 (160)	Oui	Simple	2, 3	55-65	Bundt® ¹ 12 tasses
Cupcakes	bake	375 (190)	Oui	Simple	2, 3	15-20	Moule à muffins de 12 alvéoles
Cupcakes	conv bake	350 (175)	Oui	Simple	2, 3	15-20	Moule à muffins de 12 alvéoles
Cupcakes	multi rack	350 (175)	Oui	Multiple	2 & 4	15-20	Moule à muffins de 12 alvéoles
Ronds de gâteaux	bake	350 (175)	Oui	Simple	2, 3	25-35	Rond de gâteau de 8 po ou 9 po (20 cm ou 23 cm)
4 Ronds de gâteaux	multi rack	325 (160)	Oui	Multiple	2 & 4	25-35	Rond de gâteau de 8 po ou 9 po (20 cm ou 23 cm)
Gâteau en feuille	bake	350 (175)	Oui	Simple	2, 3	30-35	13 po x 9 po x 2 po (33 cm x 23 cm x 5 cm)
Tarte aux pommes	bake	375 (190)	Oui	Simple	2, 3	50-55	Moule à tarte de 9 po (23 cm)

¹ Ces marques sont des marques déposées de leurs propriétaires respectifs. Toutes les autres marques sont des marques de BSH Home Appliances Corporation ou ses sociétés affiliées.

Biscuits

Aliment	Mode de cuisson recommandé	Température du four en °F (°C)	Préchauffez le four	Nombre de grilles	Position de la grille	Durée en minute	Taille et type de casserole
Brownies	bake	350 (175)	Oui	Simple	2, 3	30-45	Moule carré de 8 po ou 9 po (20 cm ou 23 cm)

Aliment	Mode de cuisson recommandé	Température du four en °F (°C)	Préchauffez le four	Nombre de grilles	Position de la grille	Durée en minute	Taille et type de casserole
Biscuits aux brisures de chocolat	bake	350 (175)	Oui	Simple	2, 3	9-15	Plaque à biscuits
Biscuits aux brisures de chocolat	multi rack	350 (175)	Oui	Multiple	2 & 4	9-15	Plaque à biscuits
Barres de biscuits	conv bake	350 (175)	Oui	Simple	2, 3	20-35	Moule carré de 8 po ou 9 po (20 cm ou 23 cm)
Biscuits au sucre	bake	375 (190)	Oui	Simple	3	8-12	Plaque à biscuits
Biscuits au sucre	multi rack	350 (175)	Oui	Multiple	2 & 4	8-12	Plaque à biscuits

Entrées

Aliment	Mode de cuisson recommandé	Température du four en °F (°C)	Préchauffez le four	Nombre de grilles	Position de la grille	Durée en minute	Taille et type de casserole
Plats en casserole	bake	recette	Oui	Simple	2, 3	recette	Plat pour mets en casserole
Quiche	bake	375 (190)	Oui	Simple	2, 3	40-55	Moule à quiche
Soufflé	bake	350 (175)	Oui	Simple	2, 3	35-50	Moule à soufflé
Légumes	conv roast	recette	Non	Simple	2, 3	recette	Plat pour mets en casserole

Pâtisseries

Aliment	Mode de cuisson recommandé	Température du four en °F (°C)	Préchauffez le four	Nombre de grilles	Position de la grille	Durée en minute	Taille et type de casserole
Choux à la crème	multi rack	350 (175)	Oui	Simple	2, 3	30-40	Plaque à biscuits
Choux à la crème	multi rack	350 (175)	Oui	Multiple	2 & 4	35-45	Plaque à biscuits
Pâte feuilletée	conv bake multi rack	375 (190)	Oui	Simple	2, 3	15-25	Plaque à biscuits

Tartes

Aliment	Mode de cuisson recommandé	Température du four en °F (°C)	Préchauffez le four	Nombre de grilles	Position de la grille	Durée en minute	Taille et type de casserole
1 croûte de tarte	bake	450 (230)	Oui	Simple	2, 3	10-20	Moule à tarte de 9 po (22 cm)

Aliment	Mode de cuisson recommandé	Température du four en °F (°C)	Préchauffez le four	Nombre de grilles	Position de la grille	Durée en minute	Taille et type de casserole
1 croûte de tarte	conv bake	425 (220)	Oui	Simple	2, 3	10-20	Moule à tarte de 9 po (22 cm)
2 croûtes, fruit	bake	375 (190)	Oui	Simple	2, 3	45-60	Moule à tarte de 9 po (22 cm)
2 croûtes, fruit	conv bake	350 (175)	Oui	Simple	2, 3	45-60	Moule à tarte de 9 po (22 cm)
Produits	bake	400 (205)	Oui	Simple	2, 3	sur l'emballage	Mode de préparation sur l'emballage
Pacane	bake	350 (175)	Oui	Simple	2, 3	45-60	Moule à tarte de 9 po (22 cm)
Citrouille	bake	350 (175)	Oui	Simple	2, 3	40-60	Moule à tarte de 9 po (22 cm)

Pizza

Aliment	Mode de cuisson recommandé	Température du four en °F (°C)	Préchauffez le four	Nombre de grilles	Position de la grille	Durée en minute	Taille et type de casserole
Pierre à cuisson	bake pizza	500 (260)	Oui	Simple	2	recette	Pierre à cuisson
Frais	pizza	425 (220)	Oui	Simple	1, 2	10-20	Pierre à cuisson, plaque à pizza
Croûte épaisse, congelée	pizza	sur l'emballage	Oui	Simple	sur l'emballage	recette	Mode de préparation sur l'emballage
Croûte mince, congelée	pizza	sur l'emballage	Oui	Simple	sur l'emballage	recette	Mode de préparation sur l'emballage

Pains éclair

Aliment	Mode de cuisson recommandé	Température du four en °F (°C)	Préchauffez le four	Nombre de grilles	Position de la grille	Durée en minute	Taille et type de casserole
Biscuits	bake	350 (175)	Oui	Simple	3	15-20	Plaque à biscuits
Biscuits	multi rack	325 (160)	Oui	Multiple	2 & 4	15-20	Plaque à biscuits
Pain	bake	375 (190)	Oui	Simple	2, 3	50-60	Moule à pain 8 po x 4 po (20 cm x 10 cm)
Muffins	bake	375 (190)	Oui	Simple	2, 3	18-30	Moule à muffins de 12 alvéoles
Muffins	conv bake	350 (175)	Oui	Simple	2, 3	18-30	Moule à muffins de 12 alvéoles

Aliment	Mode de cuisson recommandé	Température du four en °F (°C)	Préchauffez le four	Nombre de grilles	Position de la grille	Durée en minute	Taille et type de casserole
Muffins	multi rack	350 (175)	Oui	Multiple	2 & 4	20-35	Moule à muffins de 12 alvéoles

Pains à la levure

Aliment	Mode de cuisson recommandé	Température du four en °F (°C)	Préchauffez le four	Nombre de grilles	Position de la grille	Durée en minute	Taille et type de casserole
Petits pains	bake	350 (175)	Oui	Simple	2, 3	15-30	Plaque à biscuits
Petits pains	multi rack	325 (160)	Oui	Multiple	2 & 4	20-35	Plaque à biscuits
Pain	conv bake multi rack	400 (205)	Oui	Simple	2, 3	25-40	Moule à pain 9 po x 5 po (23 cm x 13 cm)
Viennoiseries	conv bake multi rack	350 (175)	Oui	Simple	2, 3	20-30	Plaque à biscuits
Pain focaccia	bake	450 (230)	Oui	Simple	2	10-20	Plaque à biscuits

Aliments congelés

Aliment	Mode de cuisson recommandé	Température du four en °F (°C)	Préchauffez le four	Nombre de grilles	Position de la grille	Durée en minute	Taille et type de casserole
Lasagne	bake	400 (205)	Oui	Simple	1	sur l'emballage	Mode de préparation sur l'emballage

10.2 Viandes

Les tableaux sont à titre indicatif. Respectez le mode de préparation de l'emballage ou de la recette. Les temps de rôtissage sont approximatifs et peuvent varier en fonction de la forme de la viande.

Remarque : La USDA recommande de mesurer la température interne des aliments à l'aide d'un thermomètre à viande numérique.

Bœuf

Aliment	Mode de cuisson recommandé	Température du four en °F (°C)	Position de la grille	Température de cuisson interne en °F (°C)	Durée en minute	Nourriture couverte	Temps de repos en min.
Hamburgers, 0,3 lb (0,136 g) chacun	broil	élevée	5	Moyen, 160 (71)	Coté 1: 8; Coté 2: 7	Non	aucun

¹ Préchauffez le four

Aliment	Mode de cuisson recommandé	Température du four en °F (°C)	Position de la grille	Température de cuisson interne en °F (°C)	Durée en minute	Nourriture couverte	Temps de repos en min.
Faux-filet, désossé, 3 - 3,5 lb	conv roast	325 (160) ¹	2, 3	Rosé, 145 (63)	27-31 min/ lb	Non	10-15
Faux-filet, désossé, 3 - 3,5 lb	conv roast	325 (160) ¹	2, 3	Moyen, 160 (71)	30-38 min/ lb	Non	10-15
Croupion, faux-filet, surlonge, désossé, 3 - 4 lb	conv roast	325 (160)	2, 3	Rosé, 145 (63)	18-33 min/ lb	Non	10-15
Steak, 1 po d'épaisseur	broil	élevée	5	Rosé, 145 (63)	Coté 1: 5-8; Coté 2: 4-6	Non	aucun
Filet, 3 - 4 lb (1,4 kg - 1,8 kg)	conv roast	425 (220)	2, 3	Rosé, 145 (63)	15-24 min/ lb	Non	10-15

¹ Préchauffez le four

Agneau

Aliment	Mode de cuisson recommandé	Température du four en °F (°C)	Position de la grille	Température de cuisson interne en °F (°C)	Durée en minute	Nourriture couverte	Temps de repos en min.
Gigot, désossé, 2 lb - 4,5 lb (900 g - 1,8 kg)	conv roast	325 (160) ¹	2, 3	Rosé, 145 (63)	25-30 min/ lb	Non	10-15
Gigot, désossé, 2 lb - 4,5 lb (900 g - 1,8 kg)	conv roast	325 (160) ¹	2, 3	Moyen, 160 (71)	30-35 min/ lb	Non	10-15
Côtelettes, 1 po d'épaisseur	broil	élevée ¹	5	Rosé, 145 (63)	Coté 1: 4-6; Coté 2: 4-5	Non	10-15
Côtelettes, 1 po d'épaisseur	broil	élevée ¹	5	Moyen, 160 (71)	Coté 1: 5-7; Coté 2: 5-6	Non	aucun

¹ Préchauffez le four

Porc

Aliment	Mode de cuisson recommandé	Température du four en °F (°C)	Position de la grille	Température de cuisson interne en °F (°C)	Durée en minute	Nourriture couverte	Temps de repos en min.
Rôti de longe, 2,2 lb - 6,5 lb (0,2 kg - 2,72 kg)	conv roast	350 (175) ¹	2	Moyen, 160 (71)	16-25 min/ lb	Non	aucun
Côtelettes, 0,3 - 0,4 lb (0,136 - 0,181 kg)	broil	élevée	5	160 (71)	Coté 1: 8-12; Coté 2: 6-10	Non	aucun
Saucisse, fraîche	broil	élevée	5	170 (75)	Coté 1: 5-7; Coté 2: 4-6	Non	aucun
Filet, 2 lb - 3 lb (900 g - 1,4 kg)	conv roast	425 (220)	2	Moyen, 160 (71)	15-28 min/ lb	Non	aucun

¹ Préchauffez le four

Volaille

Une dinde farcie exige un temps de cuisson plus long. La température sécuritaire minimum pour une farce de volaille est de 165 °F (75 °C).

Aliment	Mode de cuisson recommandé	Température du four en °F (°C)	Position de la grille	Température de cuisson interne en °F (°C)	Durée en minute	Nourriture couverte	Temps de repos en min.
Poitrines de poulet, avec os	broil	élevée	4	170 (75)	Coté 1: 15-20; Coté 2: 13-18	Non	aucun
Cuisses de poulet, avec os	broil	élevée	4	180 (82)	Coté 1: 12-15; Coté 2: 9-11	Non	aucun
Poulet entier, 3 - 6,6 lb	conv roast	375 (190) ¹	2	180 (82)	15-25 min/ lb	Non	aucun
Poulets de Cornouaille, 1 lb - 1,5 lb (450 g - 680 g)	conv roast	350 (175)	2	180 (82)	45-75 min temps total	Non	aucun
Poitrine de dinde, 4 - 8 lb	conv roast	325 (160) ¹	2, 3	180 (82)	17-25 min/ lb	Feuille d'aluminium pour éviter le brunissement excessif	aucun

¹ Préchauffez le four

Aliment	Mode de cuisson recommandé	Température du four en °F (°C)	Position de la grille	Température de cuisson interne en °F (°C)	Durée en minute	Nourriture couverte	Temps de repos en min.
Dinde, non farcie, 12 - 19 lb	conv roast	325 (160) ¹	2	180 (82)	7-15 min/ lb	Feuille d'aluminium pour éviter le brunissement excessif	aucun
Dinde, non farcie, 20 - 30 lb	conv roast	325 (160) ¹	2	180 (82)	7-15 min/ lb	Feuille d'aluminium pour éviter le brunissement excessif	aucun

¹ Préchauffez le four

Fruits de mer

Aliment	Mode de cuisson recommandé	Température du four en °F (°C)	Position de la grille	Température de cuisson interne en °F (°C)	Durée en minute	Nourriture couverte	Temps de repos en min.
Filets de poisson	broil	élevée ¹	4	145 (60)	Coté 1: 11-15; Coté: 11-15	Non	aucun

¹ Préchauffez le four

11 Dépannage

Vous pouvez éliminer vous-même les défauts mineurs de votre appareil. Veuillez lire les informations de dépannage avant de contacter le service à la clientèle. Cela peut éviter des frais de réparation inutiles.

AVERTISSEMENT

Des réparations mal exécutées sont dangereuses.

- ▶ Seuls les prestataires de services agréés doivent réparer l'appareil.

- ▶ Si l'appareil a un problème, appelez le service client.

AVERTISSEMENT

Les réparations non conformes sont dangereuses.

- ▶ Les réparations de l'appareil ne doivent être effectuées que par des prestataires de services agréés.
- ▶ Seules des pièces de rechange d'origine peuvent être utilisées pour réparer l'appareil.

Défaut	Cause et dépannage
La porte du four est plus chaude qu'auparavant, une fois que la vitre de la porte du four a été retirée pour le nettoyage.	La vitre de la porte du four n'est pas insérée dans le bon sens. <ul style="list-style-type: none"> ▶ Vérifiez si la vitre de la porte du four est insérée dans le bon sens (le symbole faible-E peut être lu).
La porte du four n'est pas équilibrée.	La vitre intérieure de la porte est manquante ou n'a pas été insérée lors du remontage. <ul style="list-style-type: none"> ▶ Vérifiez si la vitre intérieure de la porte est présente ou a été insérée lors du remontage.
La batterie de cuisine produit un crépitement.	La batterie de cuisine est fabriquée à partir de différents matériaux multicouches <ul style="list-style-type: none"> ▶ Reportez-vous à la section Cuisson avec induction pour en savoir plus sur les ustensiles de cuisine appropriés. → <i>Page 63</i> <p>Vous utilisez des ustensiles de cuisine de différentes tailles et différents matériaux.</p> <ul style="list-style-type: none"> ▶ Reportez-vous à la section Cuisson avec induction pour en savoir plus sur les ustensiles de cuisine appropriés. → <i>Page 63</i>
La fonction de la table de cuisson SpeedBoost® ne peut pas être activé ou s'éteint avant 10 minutes.	La zone de cuisson est trop chaude. <ol style="list-style-type: none"> 1. Laissez refroidir la zone de cuisson. 2. Réglez la fonction SpeedBoost® de nouveau.
L'affichage est figé ou ne répond pas.	Ce problème peut avoir de nombreuses causes. <ol style="list-style-type: none"> 1. Vérifiez si la fonction de verrouillage du panneau est active. <ul style="list-style-type: none"> – Désactivez le verrouillage du panneau. → <i>"Désactivation du panneau de verrouillage", Page 66</i> 2. Si la fonction de verrouillage du panneau n'est pas active : <ul style="list-style-type: none"> – Débranchez l'appareil de l'alimentation électrique à l'aide de l'interrupteur correspondant sur le tableau électrique domestique. – Attendez quelques secondes et rebranchez l'appareil à l'alimentation électrique.
Défaut	Cause et dépannage
Aucune information d'affichage	La source d'alimentation électrique a été coupée. <ul style="list-style-type: none"> ▶ Vérifiez si les lumières et les autres appareils dans la pièce fonctionnent. <p>L'électroménager n'a pas été connecté correctement selon le schéma de raccordement.</p> <ol style="list-style-type: none"> 1. Débranchez l'appareil de l'alimentation électrique. 2. Vérifiez que l'électroménager a été branché tel qu'indiqué dans le schéma de connection. <p>Il y a un défaut électronique</p> <ul style="list-style-type: none"> ▶ Si le défaut ne peut être éliminé, appelez le service à la clientèle.

Défaut	Cause et dépannage
Le niveau de puissance d'une des zones de cuisson clignote.	La puissance maximale disponible de la table de cuisson a été dépassée. <ol style="list-style-type: none"> 1. Tournez le bouton de commande à un niveau de puissance inférieur dans les 3 secondes. 2. Si vous ne réglez pas un niveau de puissance différent, le niveau de puissance de la zone de cuisson concernée sera automatiquement réduit. → "Gestion de la puissance", Page 62
F B + H / h et les zones de cuisson ne chauffent pas	La zone de cuisson a fonctionné en continu pendant une période prolongée sans interaction. La limitation automatique du temps a été déclenchée. <ul style="list-style-type: none"> ▶ Touchez n'importe quel élément de contrôle. ✓ Vous pouvez régler la zone de cuisson et continuer la cuisson.
U400	La tension d'alimentation est incorrecte. Elle est en dehors de la plage de fonctionnement normale. <ul style="list-style-type: none"> ▶ Contactez votre distributeur d'électricité.
U	La zone de cuisson est incapable de détecter les ustensiles de cuisine. <ol style="list-style-type: none"> 1. Placez les ustensiles de cuisson sur la zone de cuisson dans les 30 secondes après avoir réglé un niveau de puissance. 2. Si des ustensiles de cuisine sont présents sur la zone de cuisson, vérifiez si les ustensiles de cuisine sont adaptés à la cuisson à induction. → "Cuisson par induction", Page 63
-	Le niveau de puissance réglé ne peut pas être exécuté. <ul style="list-style-type: none"> ▶ Tournez le bouton de commande sur 0 puis redéfinissez un niveau de puissance.
r	Le bouton de commande a été enfoncé pendant plus de 30 secondes. <ul style="list-style-type: none"> ▶ Assurez-vous que le bouton de commande est relâché après avoir réglé le niveau de puissance.

12 Élimination

12.1 Éliminer un appareil usagé

L'élimination dans le respect de l'environnement permet de récupérer de précieuses matières premières.

- ▶ Éliminez l'appareil dans le respect de l'environnement.
Pour connaître les circuits d'élimination actuels, veuillez vous adresser à votre revendeur ou à votre administration municipale.

13 Service à la clientèle

Lors de toute réparation réalisée dans le cadre de la garantie, nous nous assurons que votre appareil est réparé avec des pièces de rechange d'origine par un technicien dûment formé et agréé. Nous utilisons exclusivement des pièces de rechange d'origine lors des réparations.

Pour plus d'informations sur la durée et les conditions de la garantie dans votre pays, consultez nos modalités de garantie auprès de votre détaillant ou sur notre site Web. Si vous contactez le service à la clientèle, indiquez le numéro de modèle (E-Nr.) et le numéro de fabrication (FD) de l'appareil.

USA:
1-800-944-2904

www.bosch-home.com/us/owner-support/get-support

www.bosch-home.com/us/shop

CA:

1-800-944-2904

www.bosch-home.ca/en/service/get-support

www.bosch-home.ca/en/service/cleaners-and-accessories

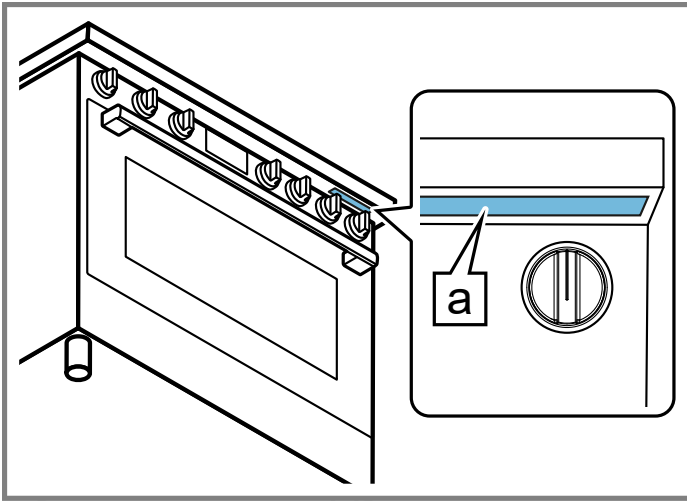
13.1 Numéro de modèle (E-Nr.) et numéro de fabrication (FD)

Le numéro de modèle (E-Nr.) et le numéro de fabrication (FD) sont indiqués sur la plaque signalétique de l'appareil. Pour retrouver rapidement les données de votre appareil et le numéro de téléphone du service à la clientèle, n'hésitez pas à les recopier ailleurs.

13.2 Emplacement de la plaque signalétique

Vous trouverez la plaque signalétique de votre appareil :

- sur le dessous du panneau de contrôle de projection.
- À l'arrière de l'appareil.



a Plaque signalétique

14 ÉNONCÉ DE LA GARANTIE LIMITÉE DU PRODUIT

14.1 Couverture de la garantie limitée

La garantie limitée fournie par BSH Home Appliances (« Bosch ») dans cet énoncé de garantie limitée s'applique seulement à l'appareil Bosch qui vous a été vendu (« Produit »), pour autant que le produit ait été acheté :

- Pour une utilisation normale résidentielle (non commerciale), et qu'il a été utilisé en tout temps pour un usage domestique normal.
- Neuf au détail auprès d'un revendeur agréé BSH ou directement auprès de BSH (pas un présentoir, « tel quel », ou un modèle précédemment retourné), et non destiné à la revente ou à un usage commercial.
- Aux États-Unis ou au Canada et qu'il est demeuré en tout temps dans son pays d'achat.

Les garanties aux présentes s'appliquent à l'acheteur original du produit sous garantie et à tout propriétaire successif du produit acheté pour une utilisation résidentielle habituelle et la durée de la garantie. Assurez-vous d'enregistrer votre produit ; bien qu'il ne soit pas nécessaire pour appliquer la garantie, c'est le meilleur moyen pour Bosch de vous informer dans le cas peu probable d'un avis de sécurité ou d'un rappel de produit.

14.2 Durée de la garantie

Bosch garantit que le produit est exempt de défauts de matériaux et de fabrication pendant une période de trois cent soixante-cinq (365) jours à compter de la date de livraison initiale. La période susmentionnée commence à partir de la date de livraison et ne doit pas être retenue, retardée, prolongée, ou interrompue pour une raison quelconque. Ce produit est également garanti exempt de défauts **cosmétiques** de matériaux et de fabrication (tels que des rayures sur l'acier inoxydable, des taches de peinture/porcelaine, des éclats, des bosses ou d'autres dommages à la finition) du produit, pendant une période

de trente (30) jours à compter de la date de livraison ou de la date de clôture pour les nouvelles constructions. La présente garantie **cosmétique** exclut les variations légères de couleur causées par les différences inhérentes entre les sections peintes et les sections en porcelaine, de même que les différences causées par l'éclairage de la cuisine, l'emplacement du produit et autres facteurs similaires. La présente garantie **cosmétique** exclut spécifiquement tous les appareils en montre, de plancher, « tel quel » et remis à neuf.

14.3 Réparation ou remplacement : votre recours exclusif

Pendant cette période de garantie, Bosch ou l'un de ses centres de réparations autorisés réparera gratuitement votre produit (sous réserve de certaines restrictions aux présentes) si celui-ci présente des défauts de matériels ou de fabrication. Si des tentatives raisonnables pour réparer le produit sont vaines, alors Bosch remplacera le produit (un modèle supérieur peut être offert, à la seule discrétion de Bosch, moyennant des frais supplémentaires). Rien dans cette garantie n'exige que les pièces endommagées ou défectueuses soient remplacées par des pièces d'un type ou d'une conception différent de la pièce d'origine. Toutes les pièces ou les composants enlevés demeurent la seule propriété de Bosch. Toute pièce remplacée ou réparée doit être identique à la pièce d'origine aux fins de la présente garantie et la garantie ne sera pas prolongée en regard de telles pièces. La seule responsabilité de Bosch est de faire réparer le produit défectueux uniquement par un centre de réparation autorisé pendant les heures de travail normales. Pour des raisons de sécurité et de dommages matériels, Bosch vous recommande fortement de ne pas essayer de réparer le produit vous-même ou de faire appel à un prestataire de services non agréé ; Bosch décline toute responsabilité en cas de dommages résultant de réparations ou de travaux effectués par un prestataire de services non agréé. Les centres de réparation autorisés sont les personnes ou les entreprises qui ont été spécialement formées sur les produits Bosch et qui possèdent, selon l'opinion de Bosch, une réputation supérieure pour le service après-vente et la capacité technique (il est à noter qu'elles sont des entités indépendantes et non des agents, partenaires, affiliés ou représentants de Bosch). Néanmoins, le fait de confier l'entretien de votre produit à un atelier de réparation non affilié ou à un revendeur agréé Bosch n'annulera pas cette garantie. De plus, l'utilisation de pièces tierces n'annulera pas cette garantie. Nonobstant ce qui précède, Bosch ne sera pas tenue responsable d'aucune façon si le produit est situé dans une région éloignée (supérieure à 100 miles d'un centre de réparation autorisé) ou n'est pas accessible de façon raisonnable, dans un environnement ou un local dangereux, menaçant ou périlleux; dans une telle éventualité, à la demande du consommateur, Bosch pourrait encore payer les frais de main-d'œuvre et de pièces et expédier les pièces au centre de réparation autorisé le plus près, mais le consommateur serait entièrement responsable pour tous les frais de

déplacement et autres frais spéciaux encourus par le centre de réparation, en autant qu'il accepte la demande de réparation. En outre, dans la mesure où vous avez installé le produit dans un endroit difficile d'accès ou si vous avez installé des installations temporaires ou permanentes qui créent des obstacles à l'accès ou au retrait du produit, Bosch n'encourra aucune responsabilité ou n'aura aucune responsabilité pour les travaux ou les coûts associés au déplacement du Produit ou à la création d'un accès au Produit afin de le réparer ou de le remplacer. Tous ces frais seront à votre charge exclusive.

14.4 Produit hors garantie

Bosch n'a aucune obligation, aux termes de la loi ou autrement, d'offrir toute concession, incluant réparation, prorata ou remplacement de produit une fois la garantie expirée.

14.5 Exclusions de garantie

La couverture de garantie décrite dans les présentes exclut tous les défauts ou dommages pour lesquels Bosch serait directement imputable, y compris, sans s'y limiter, l'un ou plusieurs des cas suivants :

- Utilisation du produit autre qu'un usage normal, habituel et de la façon destinée (incluant, sans s'y limiter, toute forme d'utilisation commerciale, d'utilisation ou de rangement d'un produit pour l'intérieur à l'extérieur, d'utilisation du produit de concert avec un transporteur aérien ou marin).
- Mauvaise conduite de toute partie, négligence, mauvaise utilisation, abus, accidents, fonctionnement inadéquat, mauvais entretien, installation inadéquate ou négligente, altération, manquement d'observer les instructions de fonctionnement, mauvaise manipulation, service non autorisé (incluant réparation par le consommateur ou exploration du fonctionnement interne du produit).
- Réglage, modification ou altération de tout type.
- Non conformité aux normes fédérales, provinciales, municipales ou électriques en vigueur au pays, aux codes de plomberie ou du bâtiment, aux réglementations ou aux lois, incluant le non respect d'installer le produit en stricte conformité avec les codes et les réglementations du bâtiment et d'incendie locaux.
- Bris et usure normaux, déversements d'aliments ou de liquides, accumulations de graisse ou d'autres substances dans, sur ou autour du Produit.
- Toute force ou tout facteur externe, élémentaire et / ou environnemental, incluant sans limitation, la pluie, le vent, le sable, les inondations, les incendies, les coulées de boue, le gel, l'humidité excessive ou l'exposition prolongée à l'humidité, la foudre, les surtensions, les problèmes de structure autour de l'appareil et les désastres naturels.

- Demandes de service visant à corriger l'installation de votre Produit, à obtenir des conseils à propos de son utilisation, à remplacer les fusibles de votre maison ou à réparer l'installation électrique ou la plomberie de votre foyer.
- Retrait et remplacement de la garniture ou des panneaux de décoration qui entravent l'entretien du produit.
- Dommages ou défauts résultant de la main-d'œuvre ou de pièces installées par un centre de réparation non autorisé, à moins d'être approuvé par Bosch avant de procéder à sa réparation.

En aucun cas, Bosch ne sera tenue responsable de dommages survenus à la propriété environnantes, incluant les armoires, les planchers, les plafonds et les autres objets ou structures situés autour du produit. Également exclus de la garantie sont les Produits dont les numéros de série ont été modifiés, effacés ou enlevés; les demandes de réparations pour enseigner le fonctionnement du Produit ou les visites où il n'y a aucun problème avec le produit; la correction de problèmes d'installation (le consommateur est seul responsable pour toute structure et tout réglage du Produit, incluant l'électricité, la plomberie et les autres raccordements nécessaires, pour une fondation / plancher approprié[e], et pour toute modification incluant, sans limitation, armoires, murs, planchers, tablettes, etc.) et le réenclenchement de disjoncteurs ou le remplacement de fusibles.

DANS LA MESURE AUTORISÉE PAR LOI, LA PRÉSENTE GARANTIE PRÉCISE LES RECOURS EXCLUSIFS DONT VOUS DISEPOSEZ À L'ÉGARD DU PRODUIT, QUE LA DEMANDE SOIT FONDÉE SUR UN CONTRAT OU DÉLIT (Y COMPRIS RESPONSABILITÉ ABSOLUE OU NÉGLIGENCE) OU AUTRE. LA PRÉSENTE GARANTIE REMPLACE TOUTES LES AUTRES GARANTIES, EXPRESSES OU IMPLICITES. TOUTES GARANTIES IMPLICITES AUX TERMES DE LA LOI, QUE SE SOIT LES GARANTIES DE QUALITÉ MARCHANDE OU D'APTITUDE À UN USAGE PARTICULIER, OU AUTRES, SONT LIMITÉES DANS LE TEMPS À LA DURÉE DE CETTE GARANTIE LIMITÉE EXPRESSE. LE FABRICANT NE SERA EN AUCUN CAS RESPONSABLE DE DOMMAGES CONSÉCUTIFS, SPÉCIAUX, ACCESSOIRES, INDIRECTS OU DE « PERTES COMMERCIALES » ET / OU DE DOMMAGES PUNITIFS, DE PERTES OU DE DÉPENSES, Y COMPRIS SANS S'Y LIMITER, ABSENCE DU TRAVAIL, FRAIS D'HÔTEL ET / OU FRAIS DE RESTAURANT, FRAIS DE REMANIEMENT EN EXCÉDENT DES DOMMAGES DIRECTS QUI SONT DÉFINITIVEMENT CAUSÉS EXCLUSIVEMENT PAR BOSCH, OU AUTREMENT. CERTAINS ÉTATS N'AUTORISENT PAS L'EXCLUSION OU LA LIMITATION DE DOMMAGES ACCESSOIRES OU CONSÉCUTIFS, ET CERTAINS ÉTATS N'AUTORISENT PAS LA LIMITATION DE LA DURÉE DES GARANTIES IMPLICITES. PAR CONSÉQUENT, LES EXCLUSIONS OU LES LIMITES SUSMENTIONNÉES POURRAIENT NE PAS VOUS CONCERNER. LA PRÉSENTE GARANTIE VOUS

DONNE DES DROITS PRÉCIS RECONNUS PAR LA LOI
ET VOUS POUVEZ ÉGALEMENT AVOIR D'AUTRES
DROITS QUI VARIENT D'UN ÉTAT À L'AUTRE.

Aucune tentative de modifier, changer ou amender la
présente garantie ne peut être valide sans le
consentement écrit autorisé par un dirigeant de BSH.

14.6 Obtention du service de garantie

Pour obtenir le service de garantie de votre produit, vous
devez contacter le service client Bosch au
1-800-944-2904 pour planifier une réparation.

14.7 Information sur le produit

Pour référence pratique, copiez l'information ci-après de la
plaque signalétique. Conservez votre facture et/ou vos
documents de livraison pour la validation de la garantie.

Numéro de modèle
(E-Nr.)

Numéro de
fabrication (FD)

Date de livraison



A series of horizontal lines forming a writing template. The lines are evenly spaced and extend across the width of the page, starting from the top right of the pencil icon and continuing down to the bottom of the page.



A series of horizontal lines for writing, starting from the top of the page and extending down to the bottom.



A series of horizontal lines for writing, starting from the top right of the pencil icon and extending across the page.



Register your appliance to enjoy customized benefits.

Thank you for being a Bosch customer!
Simply create a MyBosch account, then register your appliance.
You'll find a variety of customized information in MyBosch such as:

- **Discounts for filters, cleaners, accessories & parts**
- **Easy access to manuals & appliance specifications**
- **Easy access to part lists**
- **Customized offer for the Bosch Appliance Service Plan (sent by mail after appliance registration)**

Register here:

www.bosch-home.com/us/owner-support/mybosch

BOSCH
HOME APPLIANCES
SERVICE

Looking for help? You'll find it here.

No matter what, no matter when: Bosch is here to support you.
We're here to assist with usage instructions, cleaning tips,
accessories & parts, troubleshooting, and repairs.
Find online resources such as FAQs, how-to-videos, manuals,
warranties and authorized Bosch servicers at:

www.bosch-home.com/us/owner-support/get-support

Contact us:

Please have your Model Number (E-Nr) ready when contacting us.

1-800-944-2904

www.bosch-home.com/us/owner-support/contact-us

BSH Home Appliances Corporation

1901 Main Street, Suite 600

Irvine, CA 92614

USA

www.bosch-home.com

1-800-944-2904

© 2021 BSH Home Appliances Corporation



9001700526 (030522)

en-us, fr-ca