

24" Single Wall Oven

500 Series – Stainless Steel HBE5453UC



HBE5453UC
Stainless Steel

The 24" Bosch Wall Oven features Convection and is Designed for Kitchens with a Smaller Footprint

Features & Benefits

Convection Pro combines a third heating element with a back fan for even browning and time savings by using multiple racks at one time.

Beautifully designed knob controls that are easy to use.

The wall oven is designed to be installed flush with your cabinetry.

Telescopic extension rail accessory offers better access to the oven cavity.

The DualClean® system uses the cavity coating and heat to burn off most grease.

General Properties

Oven modes	Bake, Broil Plus, Convection Bake, Convection Broil, Convection Broil Plus, Convection Multi-Rack, Pie, Warm, Defrost, Frozen Foods
------------	---

Cleaning type	DualClean®
---------------	------------

Telescopic rack	1
-----------------	---

Illumination type	Halogen
-------------------	---------

Interior lights	2
-----------------	---

Oven Performance

Bake / broil element	1,300 / 2,950 W
----------------------	-----------------

Convection element	1,700 W
--------------------	---------

Technical Details

Watts	3,100 W
-------	---------

Circuit breaker	20 A
-----------------	------

Volts	240 / 208 V
-------	-------------

Frequency	60 Hz
-----------	-------

Power cord length	47 1/4"
-------------------	---------

Plug type	Fixed Connection, No Plug
-----------	---------------------------

Energy source	Electric
---------------	----------



Dimensions & Weight

Overall appliance dimensions (HxWxD)	23 5/16" x 23 1/2" x 22 1/2"
--------------------------------------	------------------------------

Required cutout size – Standard (HxWxD)	22 15/16" – 23 1/16" x 21 15/16" x 22 1/16"
---	---

Required cutout size – Flush (HxWxD)	23 9/16" x 23 3/4" x 22 15/16"
--------------------------------------	--------------------------------

Oven cavity size	2.8 cu. ft.
------------------	-------------

Overall oven interior dimensions (HxWxD)	15 5/16" x 18 1/4" x 17 5/8"
--	------------------------------

Usable oven interior dimensions (HxWxD)	14" x 17 1/2" x 16 5/16"
---	--------------------------

Net weight	87 lbs
------------	--------

Accessories—Included

Included	1 Standard Rack, 1 Telescopic Extension Rail, 1 Enamel Baking Pan
----------	---

† To be fully ADA compliant, these units must be installed according to ADA guidelines. Please check current ADA requirements for guidance on installation.

Accessories: To purchase Bosch accessories, cleaners & parts please visit www.bosch-home.com/us/store or call 1-800-944-2904 (Mon to Fri 5 am to 6 pm PST, Sat 6 am to 3 pm PST).

Notes: All height, width and depth dimensions are shown in inches. BSH reserves the absolute and unrestricted right to change product materials and specifications, at any time, without notice. Consult the product's installation instructions for final dimensional data and other details prior to making cutout.

Warranties: Please see Use & Care manual or Bosch website for statement of limited warranty.

For more information on our entire line of products, go to www.bosch-home.com/us or call 1-800-944-2904

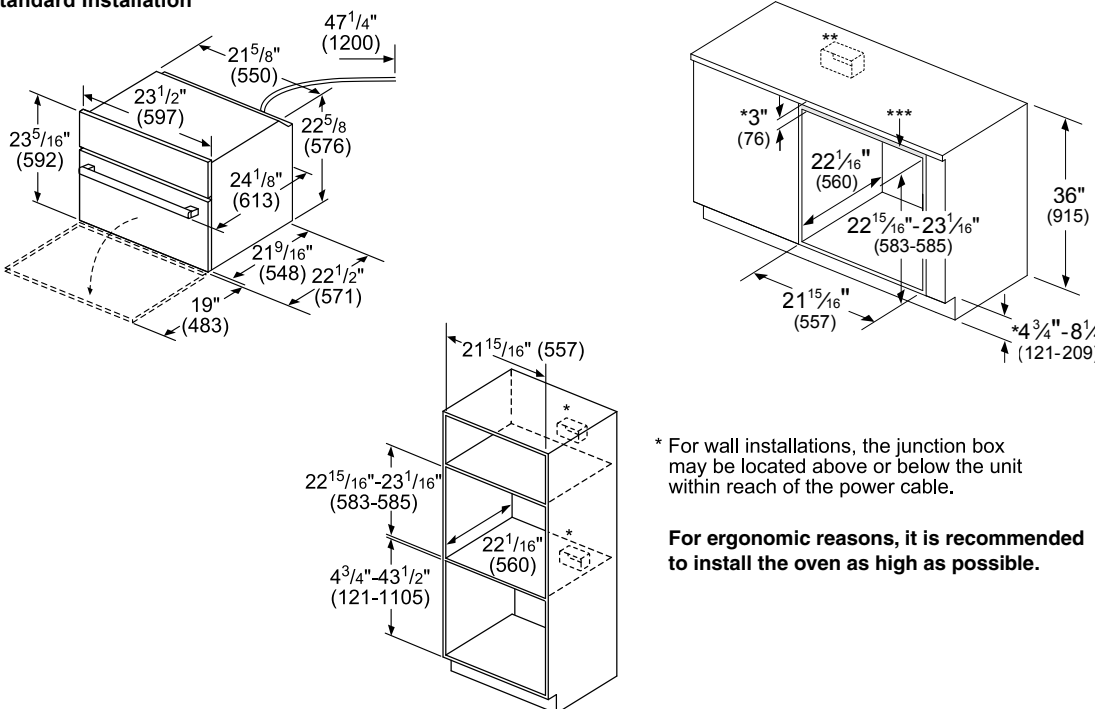
© BSH Home Appliances Corporation. All rights reserved. Bosch is a registered trademark of Robert Bosch GmbH.

24" Single Wall Oven

500 Series – Stainless Steel HBE5453UC

Installation Details

Standard Installation



$47\frac{1}{4}"$ (1200)
 $21\frac{5}{8}"$ (550)
 $23\frac{1}{2}"$ (597)
 $22\frac{5}{8}"$ (576)
 $24\frac{1}{8}"$ (613)
 $21\frac{9}{16}"$ (548)
 $22\frac{1}{2}"$ (571)
 $19"$ (483)

$36"$ (915)
 $22\frac{1}{16}"$ (560)
 $22\frac{15}{16}"-23\frac{1}{16}"$ (583-585)
 $21\frac{15}{16}"$ (557)
 $4\frac{3}{4}"-8\frac{1}{4}"$ (121-209)

$21\frac{15}{16}"$ (557)
 $22\frac{15}{16}"-23\frac{1}{16}"$ (583-585)
 $4\frac{3}{4}"-4\frac{1}{2}"$ (121-1105)

* Includes $\frac{3}{4}"$ (19 mm) base plate.
 ** For single ovens installed under a counter top, the junction box may be located to the left, or the right of the unit, within reach of the power conduit.
 *** This part of furniture must be present, straight and have no gap with the lateral parts. The minimum height is $\frac{3}{8}"$ (9 mm).

measurements in inches (mm)

measurements in inches (mm)

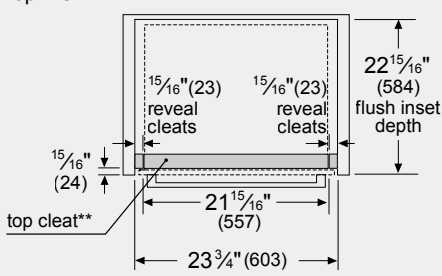
measurements in inches (mm)

* For wall installations, the junction box may be located above or below the unit within reach of the power cable.

For ergonomic reasons, it is recommended to install the oven as high as possible.

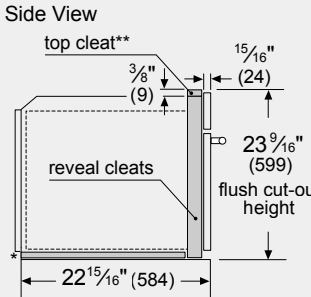
Flush Installation

Top View




$15\frac{1}{16}"$ (23) reveal cleats
 $15\frac{1}{16}"$ (23) reveal cleats
 $22\frac{15}{16}"$ (584) flush inset depth
 $15\frac{1}{16}"$ (24) top cleat**
 $21\frac{15}{16}"$ (557)
 $23\frac{3}{4}"$ (603)

Side View



top cleat**
 $\frac{3}{8}"$ (9)
 $15\frac{1}{16}"$ (24)
 reveal cleats
 $23\frac{9}{16}"$ (599) flush cut-out height
 $22\frac{15}{16}"$ (584)

Example Flush Install



* Flush installation requires a $\frac{3}{16}"$ (5mm) high x $21\frac{15}{16}"$ (557mm) wide x $22\frac{1}{16}"$ (560mm) deep baseplate underneath the unit body.
 ** Flush installation under the counter requires a top cleats $\frac{3}{8}"$ (9 mm) high x $21\frac{15}{16}"$ (557 mm) wide. This part of furniture must be present, straight and have no gap with the lateral parts.

measurements in inches (mm)

Accessories: To purchase Bosch accessories, cleaners & parts please visit www.bosch-home.com/us/store or call 1-800-944-2904 (Mon to Fri 5 am to 6 pm PST, Sat 6 am to 3 pm PST).

Notes: All height, width and depth dimensions are shown in inches. BSH reserves the absolute and unrestricted right to change product materials and specifications, at any time, without notice. Consult the product's installation instructions for final dimensional data and other details prior to making cutout.

Warranties: Please see Use & Care manual or Bosch website for statement of limited warranty.

For more information on our entire line of products, go to www.bosch-home.com/us or call 1-800-944-2904

© BSH Home Appliances Corporation. All rights reserved. Bosch is a registered trademark of Robert Bosch GmbH.