



B1..CB..



BOSCH

en Operating instructions
fr Notice d'utilisation

es Instrucciones de uso

en Table of Contents	3
fr Table des matières	18
es Índice	35

en Table of Contents

Safety and warning information.....	4	Super freezing.....	12
Definition	4	Switching on and off	12
Before you switch ON the appliance.....	4	Thawing frozen food	12
Technical safety	4	Interior fittings	13
Important information when using the appliance.....	4	Shelves and containers.....	13
Children in the household.....	5	Bottle shelf.....	13
General regulations.....	5	Ice pack.....	13
State of California Proposition 65 Warnings.....	5	Active carbon filter	13
Information concerning disposal.....	5	Switching off and disconnecting the appliance	13
♻ Disposal of packaging.....	5	Switching off the appliance	13
♻ Disposal of your old appliance	5	Disconnecting the appliance.....	13
Scope of delivery	5	Cleaning the appliance	13
Installing the appliance	6	Proceed as follows:.....	13
Transporting	6	Cleaning external surfaces.....	14
Installation location.....	6	Interior fittings.....	14
Ventilation	6	Light (LED).....	15
Connecting the appliance	6	Tips for saving energy.....	15
Electrical connection.....	6	Operating noises.....	15
Getting to know your appliance	7	Quite normal noises.....	15
Controls	8	Preventing noises	15
Switching the appliance on	8	Eliminating minor faults yourself	16
Operating tips.....	8	Customer Service.....	17
Setting the temperature	9		
Refrigerator compartment.....	9		
Freezer compartment	9		
Energy-saving mode.....	9		
Alarm function.....	9		
Door alarm.....	9		
Temperature alarm.....	9		
Switching off the alarm	9		
Usable capacity	9		
Fully utilizing the freezer volume	9		
Refrigerator compartment	10		
Storing food.....	10		
Note the chill zones in			
the refrigerator compartment	10		
Vegetable container with humidity controller	10		
Cold storage compartment	10		
Super cooling.....	11		
Switching on and off.....	11		
Freezer compartment.....	11		
Using the freezer compartment.....	11		
Max. freezing capacity	11		
Freezing and storing food	11		
Purchasing frozen food	11		
When loading products.....	11		
Storing frozen food.....	11		
Freezing fresh food.....	12		
Packing frozen food.....	12		
Shelf life of frozen food	12		

Safety and warning information

Definition

WARNING:

This indicates that death or serious injury may result due to non-observance of this warning.

CAUTION:

This indicates that minor or moderately severe injury may result due to non-observance of this warning.

Before you switch ON the appliance

Please read the operating and installation instructions carefully. They contain important information on how to install, use and maintain the appliance.

The manufacturer is not liable if you fail to comply with the instructions and warnings. Retain all documents for subsequent use or for the next owner.

Technical safety

The appliance contains a small quantity of environmentally friendly but flammable refrigerant R600a. Ensure that the tubing of the refrigerant circuit is not damaged during transportation and installation. Leaking refrigerant may cause eye injuries or ignite.

If damage has occurred

- Keep naked flames and ignition sources away from the appliance,
- ventilate the room thoroughly for several minutes.
- switch off the appliance and pull out the mains plug,
- Inform customer service.

The more refrigerant there is in an appliance, the bigger the room must be in which the appliance is located. If rooms are too small, a leak may result in a flammable gas-air mixture.

The room must be at least 1 m³ per 8 g of refrigerant. The amount of refrigerant in your appliance is indicated on the rating plate inside the appliance.

Flammable Refrigerant used. Risk of Fire or Explosion.

This product should be repaired only by trained service personnel. Consult repair manual/owner's guide before attempting to service this product. All safety precautions must be followed. Do not puncture refrigerant tubing. Follow handling instructions carefully. Dispose of properly in accordance with the applicable federal or local regulations.

If the power cord of this appliance is damaged, it must be replaced by the manufacturer, customer service or a similarly qualified person. Improper installations and repairs may put the user at considerable risk.

Repairs may be performed by the manufacturer, customer service or a similarly qualified person only. Only original parts supplied by the manufacturer may be used. The manufacturer guarantees that only these parts satisfy the safety requirements.

The appliance comes with a UL registered 3-wire power cord.

Never sever or remove the third (earth) conductor from the power cord.

The appliance requires a 3-pole socket. The socket may be connected by an electrician only.

Where there is a 2-pole standard wall socket, it is the personal responsibility and duty of the customer to have this socket replaced with a correctly earthed 3-pole wall socket. Do not use any adapter plugs.

Important information when using the appliance

- Never use electrical appliances inside the appliance (e.g. heater, electric ice maker, etc.). Explosion hazard!
- Never defrost or clean the appliance with a steam cleaner! The steam may penetrate electrical parts and cause a short-circuit. Risk of electric shock!
- Do not use pointed and sharp-edged implements to remove frost or layers of ice. You could damage the refrigerant tubes. Leaking refrigerant may cause eye injuries or ignite.
- Do not store products which contain flammable propellants (e.g. spray cans) or explosive substances in the appliance. Explosion hazard!
- Do not stand on or lean heavily against base of appliance, drawers or doors, etc
- Before cleaning the appliance, pull out the mains plug or switch off the fuse. Do not pull out the mains plug by tugging on the power cord.
- Store high-percentage alcohol tightly closed and standing up.
- Keep plastic parts and the door seal free of oil and grease. Otherwise, parts and door seal will become porous.
- Never cover or block the ventilation openings for the appliance.
- **Avoiding placing children and vulnerable people at risk:**

At risk are children, people who have limited physical, mental or sensory abilities, as well as people who have inadequate knowledge concerning safe operation of the appliance.

Ensure that children and vulnerable people have understood the hazards.

A person responsible for safety must supervise or instruct children and vulnerable people who are using the appliance.

Only children from 8 years and above may use the appliance.

Supervise children who are cleaning and maintaining the appliance.

Never allow children to play with the appliance.

- Do not store bottled or canned drinks (especially carbonated drinks) in the freezer compartment. Bottles and cans may burst!
- Never put frozen food straight from the freezer compartment into your mouth. Risk of low-temperature burns!
- Avoid prolonged touching of frozen food, ice or the evaporator pipes, etc. Risk of low-temperature burns!

Children in the household

- Keep children away from packaging and its parts. Danger of suffocation from folding cartons and cling wrap!
- Do not allow children to play with the appliance!
- If the appliance features a lock: keep the key out of the reach of children!

General regulations

The appliance is suitable

- for refrigerating and freezing food,
- for making ice.

This appliance is intended for use in the home and the home environment.

State of California Proposition 65 Warnings

WARNING:

This product contains chemicals known to the State of California to cause cancer, birth defects or other reproductive harm.

Information concerning disposal

Disposal of packaging

The packaging protects your appliance from damage during transit. All utilized materials are environmentally safe and recyclable. Please help us by disposing the packaging in an environmentally friendly manner.

Please ask your dealer or inquire at your local authority about current means of disposal.

Disposal of your old appliance

Old appliances are not worthless rubbish! Valuable raw materials can be reclaimed by recycling old appliances.

WARNING:

Redundant appliances

1. Pull out the mains plug.
2. Cut off the power cord and discard with the mains plug.
3. Do not take out the trays and receptacles: children are therefore prevented from climbing in!
4. To prevent children from becoming locked in the redundant appliance: Remove appliance doors!
5. Do not allow children to play with the appliance once it has spent its useful life. Risk of suffocation!

Refrigerators contain refrigerant and gases in the insulation. Refrigerant and gases must be disposed of professionally. Ensure that tubing of the refrigerant circuit is not damaged prior to proper disposal.

Scope of delivery

After unpacking all parts, check for any damage in transit.

If you have any complaints, please contact the dealer from whom you purchased the appliance or our customer service.

The delivery consists of the following parts:

- Free-standing appliance
- Interior fittings (depending on model)
- Bag containing installation materials
- Operating instructions
- Installation instructions
- Customer service booklet
- Warranty enclosure
- Information on the energy consumption and noises

Installing the appliance

Have a technician install and connect the appliance according to the enclosed installation instructions.

⚠ WARNING:

Do not install this appliance:

- outdoors,
- in an environment with dripping water,
- in rooms where there is a risk of frost.

Transporting

The appliances are heavy and must be secured during transportation and installation.

Because of the weight/dimensions of the appliance and to minimize the risk of injuries and damage to the appliance at least two persons are necessary to set-up the appliance securely.

Installation location

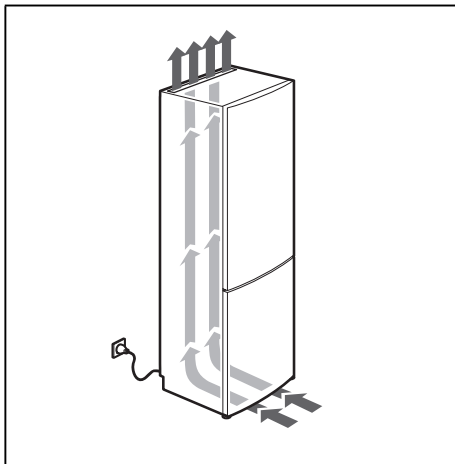
A dry, well ventilated room is suitable as an installation location. The installation location should not be exposed to direct sunlight and not placed near a heat source, e.g. a cooker, radiator, etc. If installation next to a heat source is unavoidable, use a suitable insulating plate or observe the following minimum distances from the heat source:

- To electric or gas cookers 1¹/₄" (3 cm).
- To an oil or coal-fired cooker 11¹³/₁₆" (30 cm).

The floor of the installation location must not give way; if required, reinforce floor.

Ventilation

The air on the rear panel and on the side panels of the appliance heats up. Conduction of the heated air must not be obstructed. Otherwise the refrigeration unit must work harder. This increases power consumption. Therefore: Never cover or block ventilation openings!



Connecting the appliance

After installing the appliance, wait at least 1 hour until the appliance starts up. During transportation the oil in the compressor may have flowed into the refrigeration system.

Before switching on the appliance for the first time, clean the interior of the appliance (see chapter "Cleaning the appliance").

Electrical connection

⚠ WARNING:

Avoid the risk of an electric shock!

⚠ WARNING:

Insert into a grounded 3-phase socket. Never remove grounding phase. Do not use any adapters. Do not use any extension cables.

⚠ WARNING:

Non-compliance with these instructions may result in death, fire or an electric shock. Improper connection of the protective conductor may result in an electric shock. If you are in doubt whether the appliance has been grounded properly, have the appliance tested by a qualified electrician or service technician.

Do not use extension cables or distributors. This appliance must be connected to a permanently installed socket.

The socket must be near the appliance and also freely accessible following installation of the appliance.

The appliance complies with protection class I. Connect the appliance to 115 V/60 Hz alternating current via a correctly installed socket with protective conductor. The socket must be fused with a 10 to 16 A fuse.

The appliance comes with a UL registered 3-wire power cord. The appliance requires a 3-pole socket.

Please observe the following table with regard to this:

Appliance	Maximum simultaneous load
Fridge-freezer	6.0 amps

Check on the rating plate whether the indicated voltage and current type correspond with the values of your power supply. The location of the rating plate can be found in the chapter entitled Customer service.

⚠ WARNING:

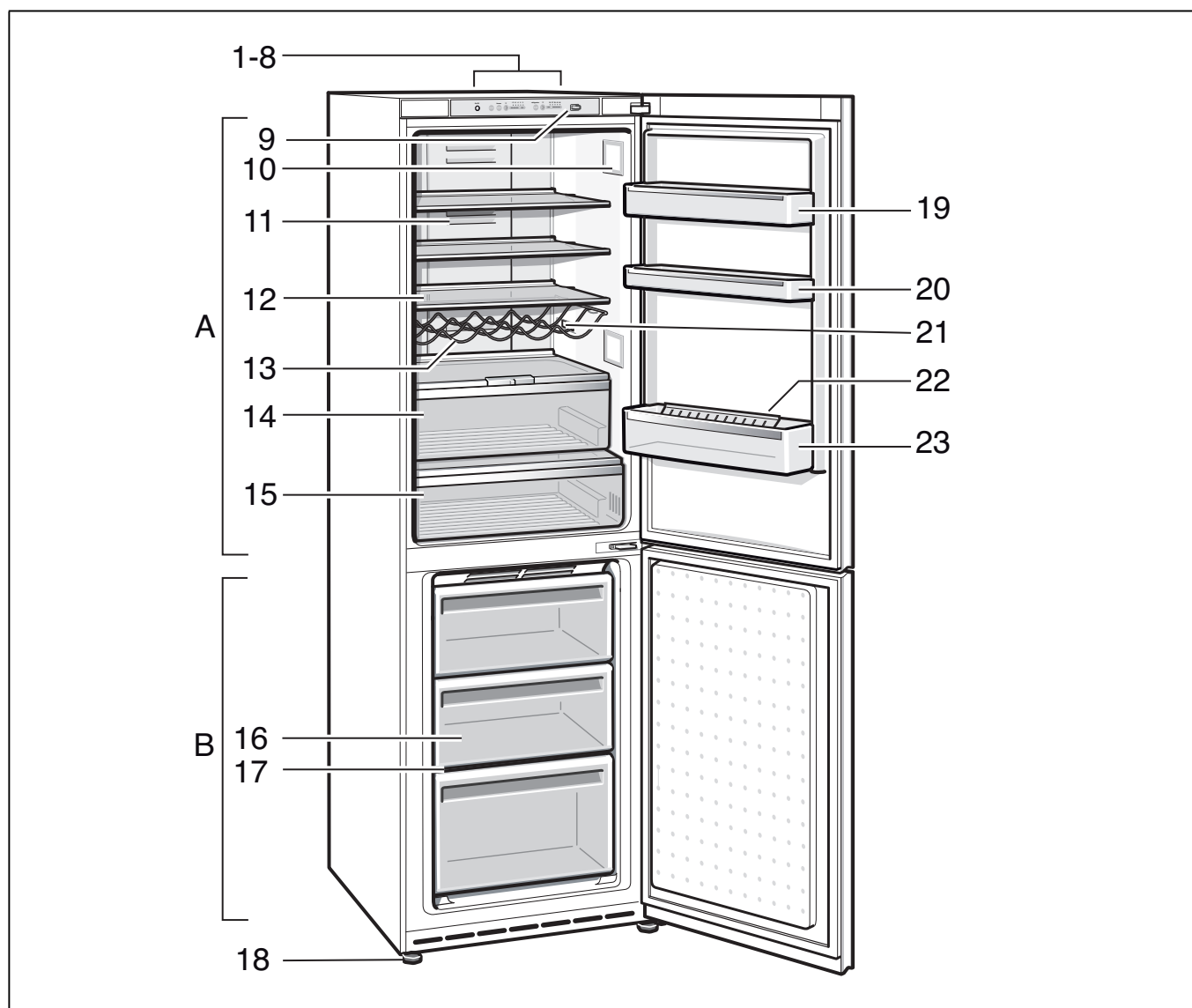
Never connect the appliance to electronic energy saver plugs.

Our appliances can be used with mains and sine-controlled inverters. Mains-controlled inverters are used for photovoltaic systems which are connected directly to the national grid. Sine-controlled inverters must be used for isolated applications (e.g. on ships or in mountain lodges) which are not connected directly to the national grid.

Getting to know your appliance

These operating instructions refer to several models.

The features of the models may vary.
The diagrams may differ.



A Refrigerator compartment

B Freezer compartment

1-8 Controls

9 Light switch

10 Light (LED)

11 Air outlet opening

12 Shelves in the refrigerator compartment

13 Bottle shelf

14 Vegetable container

15 Cold storage compartment

16 Freezer drawer

17 Freezer shelf

18 Height-adjustable feet

19 Egg rack

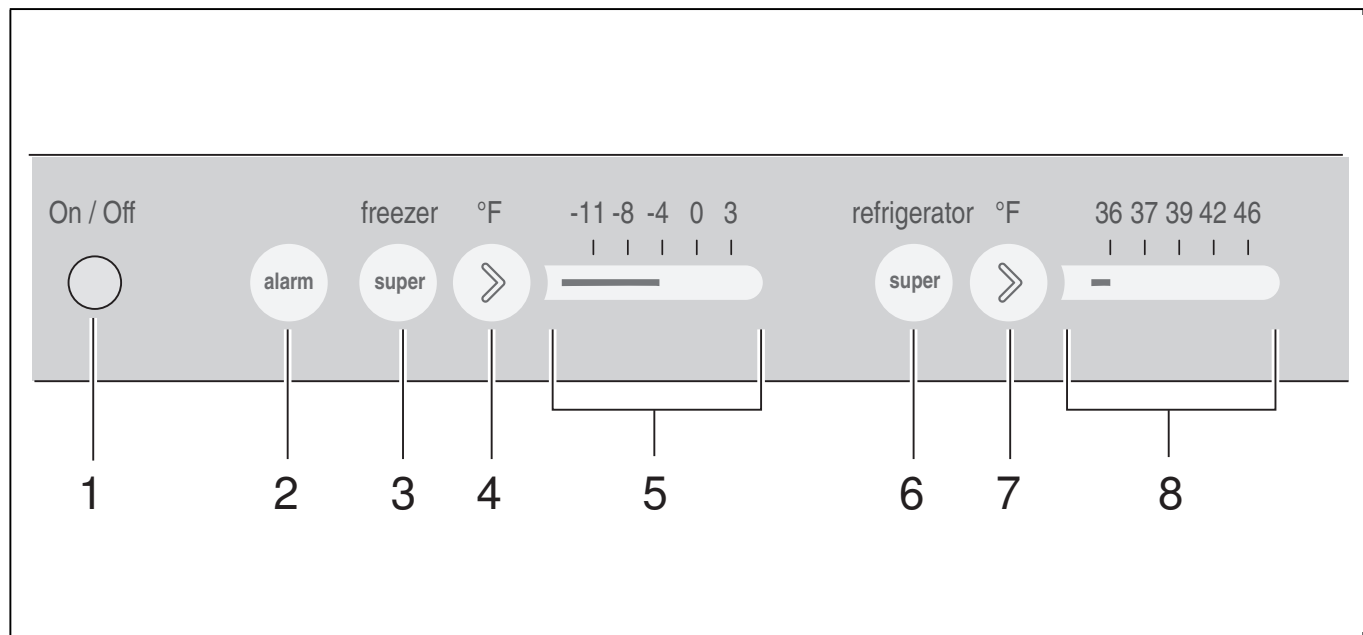
20 Door shelf

21 Active carbon filter

22 Bottle holder

23 Tray for large bottles

Controls



- 1 **Button „On/Off“**
Serves to switch the whole appliance on and off.
- 2 **Button „alarm“**
Used to switch off the warning signal, see chapter “Alarm function”.
- 3 **Button „super freezer“**
Switches super freezing on and off.
- 4 **Button „> °F“**
The button sets the temperature in the freezer compartment.
- 5 **Freezer compartment display**
Indicates the current temperature setting in the freezer compartment.
- 6 **Button „super refrigerator“**
Switches super cooling on and off.
- 7 **Button „> °F“**
The button sets the temperature in the refrigerator compartment.
- 8 **Refrigerator compartment display**
Indicates the current temperature setting in the refrigerator compartment.

Switching the appliance on

1. Switch on the appliance with the button „On/Off“. A warning signal sounds. Button „alarm“ flashes.
2. Press the button „alarm“. The warning signal switches off.
The button „alarm“ remains lit until the set freezer compartment temperature has been reached.
When the door is open, the light in the refrigerator compartment is lit.

Note:

If the light switch is pressed when the door is open, the light and the displays on the controls go out. The preset temperatures are reached after several hours. Do not put any food in the appliance beforehand.

The factory has recommended the following temperatures:

- Freezer compartment: 0 °F
- Refrigerator compartment: 39 °F

Operating tips

- When the appliance has been switched on, it may take several hours until the set temperatures have been reached.
- The fully automatic No Frost system ensures that the freezer compartment remains free of ice. Defrosting is no longer required.
- The sides of the housing are sometimes heated slightly. This prevents condensation in the area of the door seal.
- If the freezer compartment door cannot be immediately re-opened after it has been closed, wait until the resulting low pressure has equalized.

Setting the temperature

Refrigerator compartment

The temperature can be set from 36 °F to 46 °F (+2 °C to +8 °C).

Keep pressing temperature selection button „> °F“ until the required refrigerator compartment temperature is set.

The value last selected is saved. The set temperature is indicated on the temperature display.

We recommend a factory setting of 39 °F (+4 °C) in the refrigerator compartment.

Perishable food should not be stored above 39 °F (+4 °C).

Freezer compartment

The temperature can be set from 3 °F to -11 °F (-16 °C to -24 °C).

Keep pressing temperature selection button „> °F“ until the required freezer compartment temperature is set.

The value last selected is saved. The set temperature is indicated on the temperature display.

Energy-saving mode

When the appliance is not used, the display on the controls switches to energy saving mode.

Only the required lamps are lit with reduced luminosity.

As soon as the appliance is used, e.g. the door is opened, the display switches back to normal illumination.

Alarm function

In the following cases an alarm may be actuated:

Door alarm

If the appliance is left open for longer than one minute, the door alarm (continuous sound) switches on. Close the door or press the Alarm button 2 to switch the warning signal off again.

Temperature alarm

The temperature alarm switches on if the freezer compartment is too warm and the frozen food is at risk of thawing.

- Alarm button „alarm“ flashes: Frozen food is or was at risk of thawing.
- Alarm button „alarm“ is lit: Frozen food is not at risk of thawing.

The alarm may switch on without any risk to the frozen food:

- when the appliance is switched on,
- when large quantities of fresh food are placed in the appliance,
- if the freezer compartment door is open too long.

Note:

Do not refreeze thawing or thawed food. Only ready meals (boiled or fried) may be refrozen.

No longer store the frozen produce for the max. storage period.

Switching off the alarm

Press the alarm button to switch off the warning signal.

Usable capacity

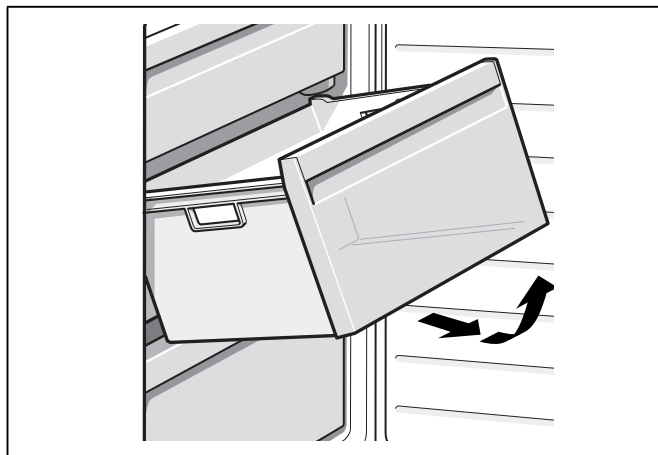
Information on the usable capacity can be found inside your appliance on the rating plate (see diagram at chapter “Customer service”).

Fully utilizing the freezer volume

To place the maximum amount of food in the freezer, all frozen food containers, except the bottom one, can be taken out of the appliance. The food can be stacked directly on the freezer shelves.

Removing the fittings

Pull out the frozen food containers all the way, lift at the front and remove.



Refrigerator compartment

The refrigerator compartment is the ideal storage location for meat, sausage, fish, dairy products, eggs, ready meals and pastries.

Storing food

- Store fresh, undamaged food. The quality and freshness will then be retained for longer.
- In the case of ready-made products and bottled goods, observe the best-before date or use-by date specified by the manufacturer.
- To retain aroma, color and freshness, pack or cover food well before placing in the appliance. This will prevent the transfer of flavors and the discoloration of plastic parts in the refrigerator compartment.
- Allow warm food and drinks to cool down before placing in the appliance.

Note:

Avoid contact between food and rear panel. Otherwise the air circulation will be impaired.
Food or packaging could freeze to the rear panel.

Note the chill zones in the refrigerator compartment

The air circulation in the refrigerator compartment creates different chill zones:

■ Coldest zone

is on the rear panel inside the appliance and on the cold storage compartment. See chapter “Getting to know your appliance”.

Note:

Store perishable food e.g. fish, sausage, meat in the coldest zones.

■ Warmest zone

is at the very top of the door.

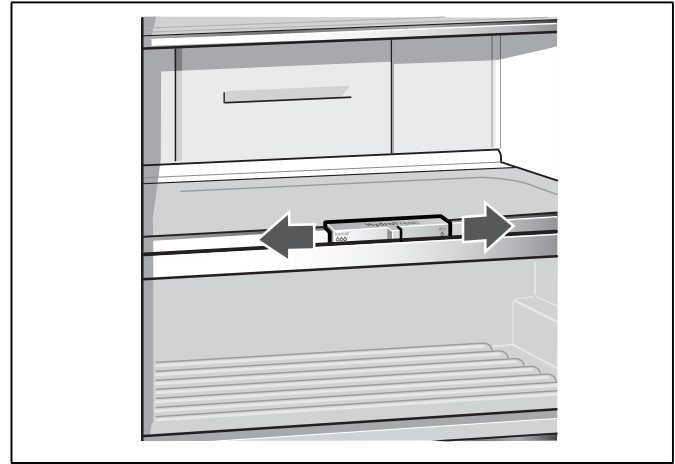
Note:

Store e.g. hard cheese and butter in the warmest zone. Cheese can then continue to release its flavor and the butter will still be easy to spread.

Vegetable container with humidity controller

To create the optimum storage climate for fruit and vegetables, you can set the air humidity in the vegetable container depending on the quantity stored:

- smaller quantities of fruit and vegetables – high air humidity
- large quantities of fruit and vegetables – low air humidity



Note:

- Fruit sensitive to cold (e.g. pineapple, banana, papaya and citrus fruit) and vegetables sensitive to cold (e.g. eggplants, cucumbers, zucchini, peppers, tomatoes and potatoes) should be stored outside the refrigerator at temperatures of approx. 46 °F to 54 °F (+8 °C to + 12 °C) for optimum preservation of quality and flavor.
- Condensation may form in the vegetable container depending on the type and quantity of products stored. Remove condensation with a dry cloth and adjust air humidity in the vegetable container with the humidity controller.

Cold storage compartment

See chapter “Getting to know your appliance”

The cold storage compartment has lower temperatures than the refrigerator compartment. Even temperatures below 32 °F (0 °C) may occur.

Ideal for storing fish, meat and sausage. Not suitable for lettuce, vegetables and produce sensitive to cold.

Super cooling

Super cooling cools the refrigerator compartment as cold as possible for approx. 6 hours. Then the appliance automatically switches to the temperature set prior to super cooling mode.

Switch on super cooling mode, e.g.:

- before placing large quantities of food in the compartment.
- for the fast cooling of drinks.

Switching on and off

Press button „super refrigerator“6.

The button is lit when super cooling is switched on.

Freezer compartment

Using the freezer compartment

- To store deep-frozen food.
- To make ice cubes.
- To freeze food.

Note:

Ensure that the freezer compartment door has been closed properly. If the door is open, the frozen food will thaw. The freezer compartment will become covered in thick ice. Also: waste of energy due to high power consumption!

Max. freezing capacity

Information about the max. freezing capacity within 24 hours can be found on the rating plate (see diagram at chapter “Customer service”).

Freezing and storing food

Purchasing frozen food

- Packaging must not be damaged.
- Use by the “use by” date.
- Temperature in the supermarket freezer must be 0 °F or lower.
- If possible, transport deep-frozen food in an insulated bag and place quickly in the freezer compartment.

When loading products

- Preferably freeze large quantities of food in the top compartment, where food freezes particularly quickly and therefore also gently.
- Place the food over the whole area of the compartments or the frozen food containers.

Note:

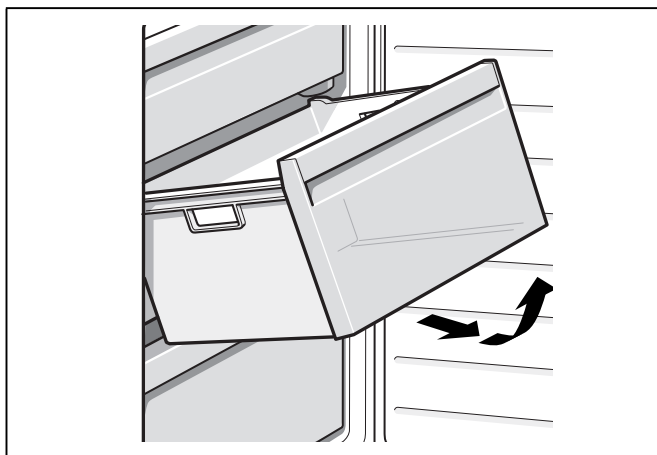
Food which is already frozen must not come into contact with the food which is to be frozen. If required, move the frozen food to the frozen food container.

Storing frozen food

Insert frozen food container all the way to ensure unrestricted air circulation.

If large quantities of food are to be stored in the freezer, all the frozen food containers (except the bottom one) can be taken out of the appliance and the food stacked directly on the freezer shelves.

To remove a frozen food container, pull out all the way, lift at the front and remove.



Freezing fresh food

Freeze fresh and undamaged food only.

To retain the best possible nutritional value, flavor and color, vegetables should be blanched before freezing. Eggplants, peppers, zucchini and asparagus do not require blanching.

Literature on freezing and blanching can be found in bookshops.

Note:

Keep food which is to be frozen away from food which is already frozen.

- The following foods are suitable for freezing:
Cakes and pastries, fish and seafood, meat, game, poultry, vegetables, fruit, herbs, eggs without shells, dairy products such as cheese, butter and quark, ready meals and leftovers such as soups, stews, cooked meat and fish, potato dishes, soufflés and desserts.
- The following foods are not suitable for freezing:
Types of vegetables, which are usually consumed raw, such as lettuce or radishes, eggs in shells, grapes, whole apples, pears and peaches, hard-boiled eggs, yoghurt, soured milk, sour cream, crème fraîche and mayonnaise.

Packing frozen food

To prevent food from losing its flavor or drying out, place in airtight containers.

1. Place food in packaging.
2. Remove air.
3. Seal the wrapping.
4. Label packaging with contents and date of freezing.

Suitable packaging:

Cling wrap, tubular film made of polyethylene, aluminum foil, freezer containers.

These products are available from specialist outlets.

Unsuitable packaging:

Wrapping paper, greaseproof paper, cellophane, bin liners and used shopping bags.

Items suitable for sealing packaged food:

Rubber bands, plastic clips, string, cold-resistant adhesive tape, etc.

Bags and tubular film made of polyethylene can be sealed with a film heat sealer.

Shelf life of frozen food

Storage duration depends on the type of food.

At a temperature of 0 °F:

- Fish, sausage, ready meals and cakes and pastries:
up to 6 months
- Cheese, poultry and meat:
up to 8 months
- Vegetables and fruit:
up to 12 months

Super freezing

Food should be frozen solid as quickly as possible in order to retain vitamins, nutritional value, appearance and flavor.

Several hours before placing fresh food in the freezer compartment, switch on super freezing to prevent an unwanted temperature rise.

As a rule, 4–6 hours is adequate.

This appliance runs constantly and the freezer compartment drops to a very low temperature.

If the max. freezing capacity is to be used, super freezing must be switched on for 24 hours before the fresh produce is placed in the freezer compartment. Smaller quantities of food (up to 4.4 lbs or 2 kg) can be frozen without “super freezing”.

Note:

When super freezing is switched on, increased operating noises may occur.

Switching on and off

Press button „super freezer“.

If the super freezing has been switched on the button is lit.

Super freezing automatically switches off after approx. 2½ days.

Thawing frozen food

Depending on the type and application, select one of the following options:

- at room temperature,
- in the refrigerator,
- in an electric oven, with/without fan assisted hot-air,
- in the microwave.



CAUTION:

Do not refreeze thawing or thawed food. Only ready meals (boiled or fried) may be refrozen.

No longer store the frozen produce for the max. storage period.

Interior fittings

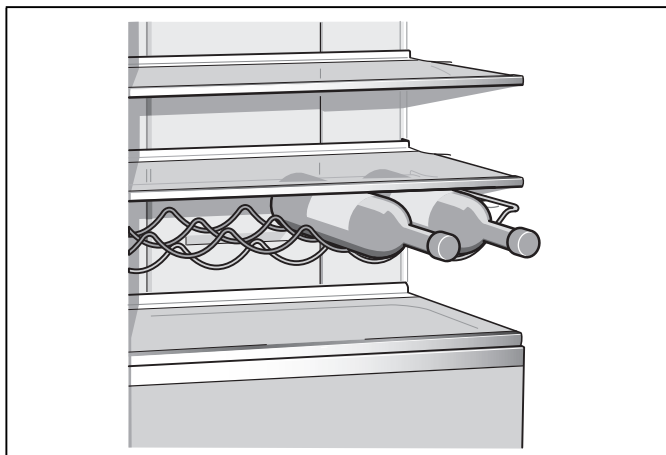
(not all models)

Shelves and containers

You can vary the shelves inside the appliance and the containers in the door to suit your requirements. Pull shelf forwards, lower and swing out to the side. Lift the container and remove.

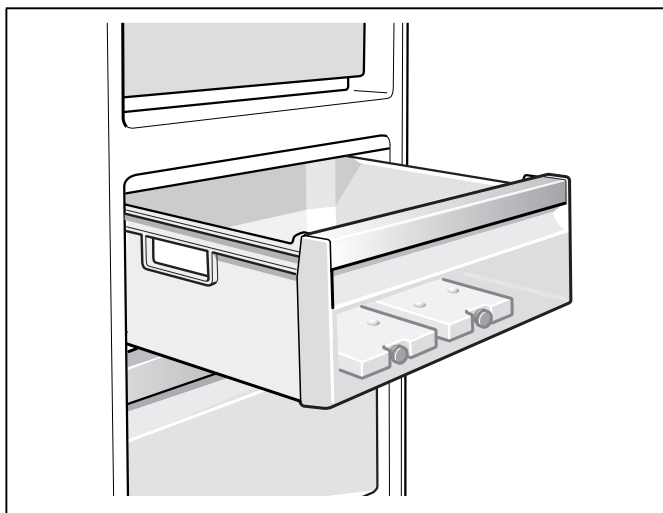
Bottle shelf

You can store bottles securely on the bottle shelf. The holder is variable.



Ice pack

If a power failure or malfunction occurs, the ice packs can be used to slow down the thawing process. The longest storage time is obtained by placing the ice pack directly on the food in the top compartment. The ice packs can also be used to cool food temporarily, e.g. in a cold bag.



Active carbon filter

The activated carbon filter ensures that air is replaced and odors reduced in the appliance. See chapter "Getting to know your appliance".

Switching off and disconnecting the appliance

Switching off the appliance

Press the button „On/Off“. Refrigeration unit switches off.

Disconnecting the appliance

If you do not use the appliance for a prolonged period:

1. Switch the appliance off.
2. Pull out mains plug or switch off fuse.
3. Clean the appliance.
4. Leave the appliance door open.

Cleaning the appliance

⚠ CAUTION:

- Do not use abrasive, chloride or acidic cleaning agents or solvents.
- Do not use scouring or abrasive sponges. The metallic surfaces could corrode.
- Never clean the shelves or containers in the dishwasher. The parts may become deformed!

Water used for cleaning must not drip into the

- slots in the front base area in the freezer compartment,
- controls,
- and light.

Proceed as follows:

1. Before cleaning: Switch the appliance off.
2. Pull out mains plug or switch off fuse.
3. Take out the frozen food and store in a cool location. Place the ice pack (if enclosed) on the food.
4. Wait until the layer of frost has thawed.
5. Clean the appliance with a soft cloth, lukewarm water and a little pH neutral washing-up liquid. The rinsing water must not run into the light.
6. Wipe the door seal with clear water only and then wipe dry thoroughly.
7. After cleaning reconnect and switch the appliance back on.
8. Put the frozen food back in the freezer compartment.

Cleaning external surfaces

The external surfaces of the appliance feature a special dirt-repellent coating. This facilitates cleaning and care.

- Clean external surfaces with a damp cloth only.

⚠ CAUTION:

To avoid damaging the special coating:

- Do not use any products which leave a protective film on the surface, e.g. stainless steel care oils.
- Do not use any abrasive implements or detergents, e.g. hard sponges, metal brushes, pointed metallic objects or scouring agents.

- Do not use any aggressive detergents or chemical products, e.g. de-icing sprays, oven cleaner, solvents, chlorine bleach or stain remover.

Interior fittings

All variable parts of the appliance can be taken out for cleaning.

Take out glass shelves

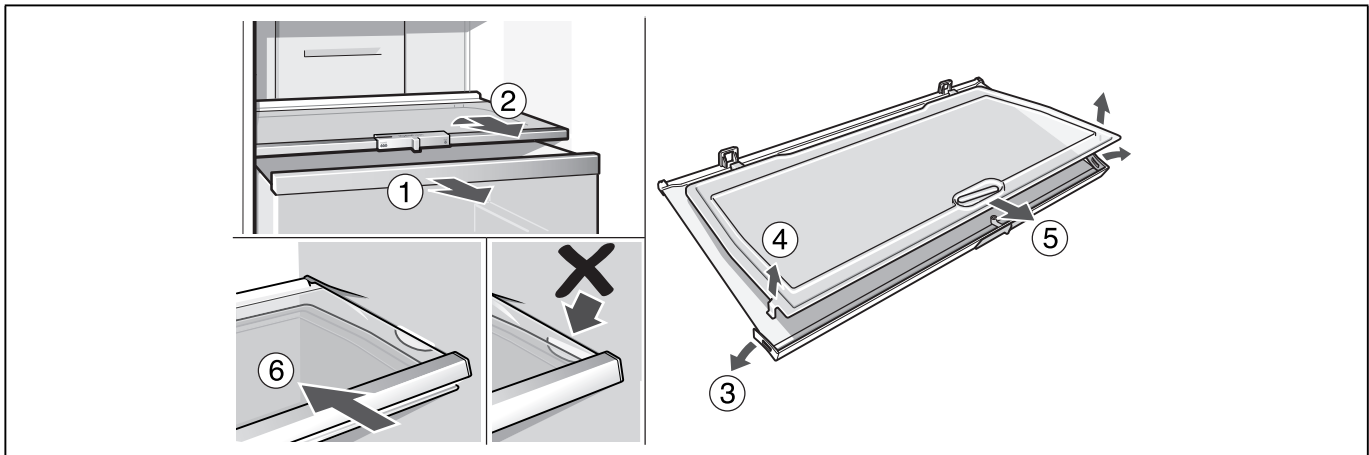
Pull the glass shelves forwards and take out.

Taking out glass shelf above vegetable container

The glass shelf can be taken out and disassembled for cleaning.

Note:

Before taking out the glass shelf, pull out vegetable container.



Glass shelf cold storage compartment

(not all models)

Note:

Do not clean glass shelf of the cold storage compartment under running water.

Before removing the glass shelf, remove vegetable container and cold storage compartment.

Simultaneously press holders, lift glass shelf and pull forwards.

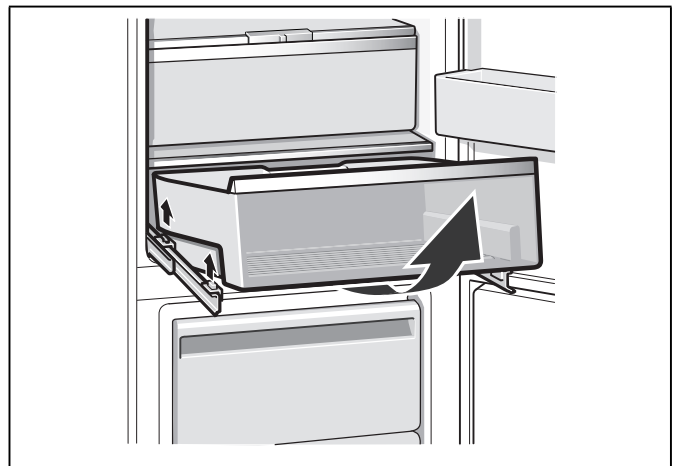
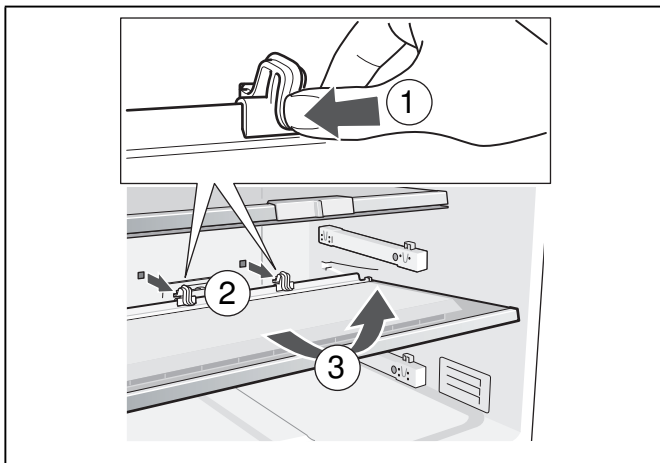
Drawers in the refrigerator compartment

Pull out the drawer all the way, lift up and remove.

To insert drawer, place the drawer on the telescopic rails and push into the appliance. Attach the drawer by pressing it down.

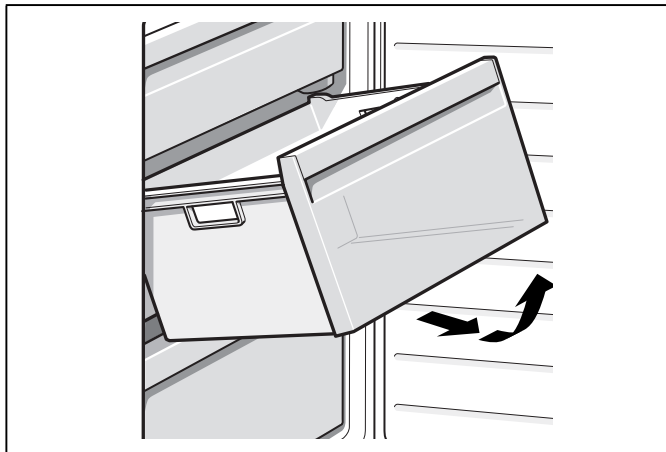
Note:

Before the vegetable drawer can be taken out, the glass shelf above must be taken out.



Taking out the frozen food container

Pull out the frozen food container all the way, lift at the front and remove.

**Light (LED)**

Your appliance features a maintenance-free LED light. These lights may be repaired by customer service or authorized technicians only.

Tips for saving energy

- Install the appliance in a dry, well ventilated room! The appliance should not be installed in direct sunlight or near a heat source (e.g. radiator, cooker). If required, use an insulating plate.
- Allow warm food and drinks to cool down before placing in the appliance.
- Thaw frozen food in the refrigerator compartment and use the low temperature of the frozen food to cool refrigerated food.
- Open the appliance as briefly as possible.
- Occasionally clean the rear of the appliance to prevent an increased power consumption.
- If available:
Fit wall spacers to obtain the indicated energy absorption of the appliance (see Installation instructions). A reduced wall gap will not restrict the function of the appliance. The energy rating may then increase slightly.
- The arrangement of the fittings does not affect the energy absorption of the appliance.

Operating noises**Quite normal noises****Droning**

Motors are running (e.g. refrigeration units, fan).

Bubbling, humming or gurgling noises

Refrigerant is flowing through the tubing.

Clicking

Motor, switches or solenoid valves are switching On/Off.

Cracking

Automatic defrosting is running.

Preventing noises**The appliance is not level**

Please align the appliance with a spirit level. Use the height-adjustable feet or place packing underneath them.

The appliance is not free-standing

Please move the appliance away from adjacent units or appliances.

Containers or storage areas wobble or stick

Please check the removable parts and re-insert them correctly, if required.

Bottles or receptacles are touching each other

Move the bottles or receptacles slightly away from each other.

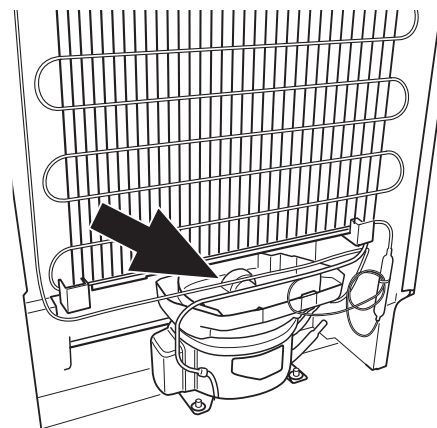
Eliminating minor faults yourself

Before you call customer service:

Please check whether you can eliminate the fault yourself based on the following information.

Customer service will charge you for advice even if the appliance is still under guarantee!

Fault	Possible cause	Remedial action
Temperature differs greatly from the set value.		In some cases it is adequate to switch off the appliance for 5 minutes. If the temperature is too high wait a few hours and check whether the temperature has approached the set value. If the temperature is too low check the temperature again the next day.
The light does not work.	Light switch is jammed. The light is defective.	Check whether the light switch can move. (See chapter "Light".)
Controls have reduced luminosity.	When the appliance is not used for some time, the display on the fascia switches to energy saving mode.	As soon as the appliance is again used, e.g. the door is opened, the display switches back to normal illumination.
Displays do not illuminate.	Power failure; the fuse has been switched off; the mains plug has not been inserted properly.	Connect mains plug. Check whether the power is on, check the fuses.
The temperature in the freezer compartment is too warm.	Appliance opened frequently.	Do not open the appliance unnecessarily.
	The ventilation openings have been covered.	Remove obstacles.
	Large quantities of fresh food are being frozen.	Do not exceed max. freezing capacity.
Freezer compartment door was open for a long time; temperature is no longer reached.	The evaporator (refrigeration generator) in the No Frost system is covered in thick ice and can no longer be defrosted fully automatically.	To defrost the evaporator, remove the frozen food with the compartments, insulate well and store in a cool location. Switch off the appliance and move it away from the wall. Leave the appliance door open. After approx. 20 min. the condensation begins to run into the evaporation pan, at the rear of the appliance.



To prevent the evaporation pan from overflowing in this case, mop up the condensation with a sponge.

The evaporator is defrosted when the water stops running into the evaporation pan. Clean the interior. Switch the appliance back on again.

Customer Service

If required, we recommend that you have the door hinges changed over by our customer service. You can find out the costs for changing over the door hinges from your appropriate customer service.

Before you call customer service, see the chapter entitled "Rectifying minor faults yourself".

After checking according to the chapter entitled "Rectifying minor faults yourself", additional help can be requested by calling the Bosch Customer Interaction Center, 1-800-944-2904 (toll-free), from anywhere in the USA.

In Canada contact your Bosch customer service or call 1-800-944-2904.

Note down the following information about your appliance so that you have it ready and can be better assisted if you require help or customer service.

Dealer's name: _____

Address: _____

Telephone number: _____

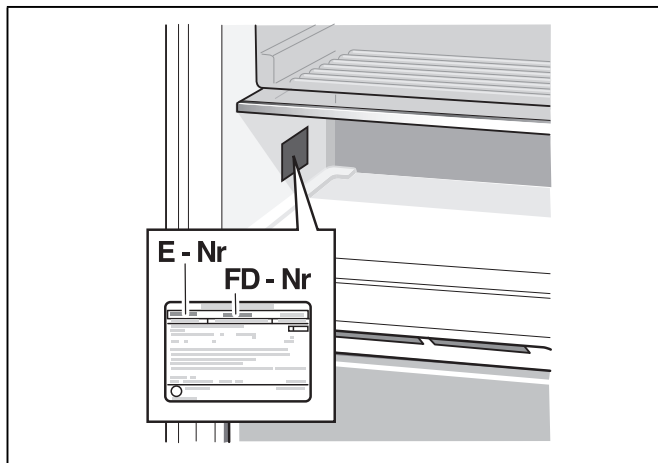
Purchase date: _____

Model number: _____

FD Nr.: _____

Serial number _____

Type _____



fr Table des matières

Consignes de sécurité et avertissements	19	Congélation de produits frais	28
Définition	19	Emballer les surgelés	28
Avant de mettre l'appareil en service.....	19	Durée de conservation des produits surgelés	29
Sécurité technique	19	Supercongélation	29
Pendant l'utilisation	19	Allumage et extinction	29
Les enfants et l'appareil	20	Décongélation des produits.....	29
Dispositions générales.....	20	Équipement	29
Avertissements de la Proposition 65		Clayettes et bacs.....	29
de l'État de la Californie	20	Clayette à bouteilles	29
Conseils pour la mise au rebut.....	21	Accumulateurs de froid.....	30
♻ Mise au rebut de l'emballage.....	21	Filtre à charbon actif.....	30
♻ Mise au rebut de l'ancien appareil.....	21	Arrêt et remisage de l'appareil.....	30
Étendue des fournitures.....	21	Coupure de l'appareil.....	30
Installation de l'appareil	21	Remisage de l'appareil	30
Transport.....	21	Nettoyage de l'appareil.....	30
Lieu d'installation.....	21	Procédez comme suit :	30
Aération.....	22	Nettoyage des surfaces	31
Branchement de l'appareil	22	Équipement	31
Connexion électrique.....	22	Éclairage (LED)	32
Présentation de l'appareil.....	23	Economies d'énergie	32
Éléments de commande.....	24	Bruits de fonctionnement.....	32
Enclenchement de l'appareil	24	Bruits parfaitement normaux.....	32
Remarques concernant le fonctionnement de		Éviter la génération de bruits.....	32
l'appareil.....	25	Remédier soi même aux petites pannes.....	33
Réglage de la température	25	Service après-vente	34
Compartiment réfrigérateur	25		
Compartiment congélateur	25		
Mode économie d'énergie	25		
Fonction alarme.....	25		
Alarme de porte.....	25		
Alarme de température	25		
Désactiver l'alarme	25		
Contenance utile	26		
Utiliser l'intégralité du volume de congélation.....	26		
Le compartiment réfrigérateur	26		
Consignes de rangement	26		
Tenez compte des différentes zones froides			
dans le compartiment réfrigérateur	26		
Bac à légumes avec régulateur d'humidité	27		
Compartiment froid	27		
Super-réfrigération	27		
Allumage et extinction	27		
Compartiment congélateur.....	27		
Utilisation du compartiment congélateur	27		
Capacité de congélation maximale	27		
Congélation et rangement.....	28		
Achats de produits surgelés	28		
Consignes de rangement	28		
Rangement des produits surgelés.....	28		

Consignes de sécurité et avertissements

Definition

AVERTISSEMENT :

Ceci signifie qu'un danger de mort ou de blessure grave peut surgir si cet avertissement n'est pas respecté.

ATTENTION :

Ceci signifie qu'un risque de blessures légères à moyennement graves peut surgir si cet avertissement n'est pas respecté.

Avant de mettre l'appareil en service

Veillez lire attentivement et entièrement les informations figurant dans les notices d'utilisation et de montage. Elle contiennent des remarques importantes concernant l'installation, l'utilisation et l'entretien de l'appareil.

Le fabricant décline toute responsabilité si les consignes et mises en garde contenues dans la notice d'utilisation ne sont pas respectées. Conservez toute la documentation pour pouvoir la consulter à nouveau ultérieurement ou si l'appareil doit changer un jour de propriétaire.

Sécurité technique

L'appareil contient une petite quantité de R600a, un fluide frigorigène respectueux de l'environnement mais inflammable. Pendant le transport et la mise en place de l'appareil, veillez à ne pas endommager les tuyauteries du circuit frigorifique. Le fluide réfrigérant peut s'enflammer en jaillissant ou provoquer des blessures oculaires.

Si l'appareil est endommagé :

- éloignez l'appareil de toute flamme nue ou source d'inflammation,
- aérez bien la pièce pendant quelques minutes,
- éteignez l'appareil puis débranchez la fiche mâle de la prise de courant,
- Prévenez le service après-vente.

Plus il y a de fluide frigorigène dans un appareil et plus la pièce dans laquelle il se trouve doit être grande. Dans des locaux trop petits, un mélange inflammable de gaz et d'air risque de se former en cas de fuite. Comptez 1 m³ de volume minimum de la pièce pour 8 g de fluide réfrigérant. La quantité de fluide présente dans l'appareil est indiquée sur la plaque signalétique située à l'intérieur de ce dernier.

Frigorigène inflammable utilisé. Risque d'incendie ou d'explosion.

La réparation doit être faite seulement par un personnel qualifié. Consulter le manuel de réparation/du propriétaire avant d'entreprendre l'entretien de ce produit. Toutes les mesures de sécurité doivent être respectées. Ne pas perforez la conduite de frigorigène. Suivre avec soin les instructions fournies. Éliminer convenablement conformément à la réglementation fédérale ou locale.

Si le cordon d'alimentation électrique de cet appareil a été endommagé, il faut confier son remplacement au fabricant, au service après-vente ou à une personne détenant des qualifications similaires. Les installations et réparations inexpertes peuvent engendrer des risques considérables pour l'utilisateur.

Les réparations ne pourront être réalisées que par le fabricant, le service après-vente ou une personne détenant des qualifications similaires.

Il ne faut utiliser que les pièces d'origine du fabricant. Le fabricant ne garantit que les pièces d'origine car elles seules remplissent les exigences de sécurité.

L'appareil est livré équipé d'un cordon de raccordement au réseau à trois fils homologué UL.

Il ne faut en aucun cas couper le troisième fil (fil de terre) équipant le cordon de raccordement, et ne pas l'enlever non plus.

L'appareil requiert une prise à trois pôles. Le branchement de la prise est une opération exclusivement réservée à un électricien qualifié.

En présence d'une prise murale standard bipolaire, le client a la responsabilité et se trouve dans l'obligation personnelles de la faire remplacer par une prise murale tripolaire réglementairement reliée à la terre. N'utilisez pas de connecteur adaptateur.

Pendant l'utilisation

- N'utilisez pas d'appareils électriques à l'intérieur de l'appareil (par ex. appareils de chauffage, machine à glaçons, etc.). Risque d'explosion !
- Ne décongelez et ne nettoyez jamais l'appareil avec un nettoyeur à vapeur ! La vapeur risque d'atteindre des pièces électriques et de provoquer un court-circuit. Risque d'électrocution !
- Pour détacher le givre ou les couches de glace, n'utilisez jamais d'objets pointus ou présentant des arêtes vives. Vous risqueriez d'endommager les tubulures dans lesquelles circule le produit réfrigérant. Le fluide réfrigérant peut s'enflammer en jaillissant ou provoquer des blessures oculaires.
- Ne stockez dans l'appareil ni produits contenant des gaz propulseurs inflammables (par ex. bombes aérosols) ni produits explosifs. Risque d'explosion !



Consignes de sécurité et avertissements

- Ne vous servez pas abusivement des socles, rails télescopiques, portes, etc. comme marchepieds ou pour vous appuyer.
- Avant de nettoyer, débranchez la fiche mâle de la prise de courant ou ramenez le disjoncteur en position éteinte. Pour débrancher, ne saisissez que la fiche mâle, pas le cordon de branchement.
- Ne conservez les bouteilles de boissons fortement alcoolisées qu'hermétiquement fermées et debout.
- L'huile et la graisse ne doivent pas entrer en contact avec les parties en matières plastiques et le joint de porte. Les pièces en plastique et le joint de porte deviendront sinon poreux.
- Ne recouvrez et n'obstruez jamais les orifices d'entrée et de sortie d'air affectées à l'appareil.
- **Évitez des risques pour les enfants et les personnes en danger :**
Sont en danger les enfants et les personnes dont les capacités physiques, psychiques ou de perception sont restreintes, ainsi que les personnes ne détenant pas suffisamment de connaissances sur l'utilisation sûre de l'appareil.
Assurez-vous que les enfants et les personnes en danger ont bien compris la nature des dangers. Une personne responsable de la sécurité doit surveiller ou guider les enfants et les personnes en danger lorsqu'elles se trouvent près de l'appareil. Ne permettez l'utilisation de l'appareil qu'aux enfants à partir de 8 ans.
Surveillez les enfants pendant le nettoyage et la maintenance.
Ne permettez jamais aux enfants de jouer avec l'appareil.
- Ne conservez aucun liquide en bouteille ou en boîte dans le compartiment congélateur (en particulier les boissons contenant du gaz carbonique). Les bouteilles et les boîtes pourraient éclater !
- Ne portez jamais des produits surgelés à la bouche immédiatement après les avoir sortis du compartiment congélateur.
Risque d'engelures !
- Évitez tout contact prolongé des mains avec les produits congelés, la glace ou les tubes de l'évaporateur, etc.
Risque d'engelures !

Les enfants et l'appareil

- Ne confiez jamais l'emballage et ses pièces constitutives aux enfants. Ils risquent de s'étouffer avec les cartons pliants et les feuilles de plastique !
- L'appareil n'est pas un jouet, éloignez les enfants !
- Appareils équipés d'une serrure : rangez la clé hors de portée des enfants !

Dispositions générales

L'appareil convient pour

- réfrigérer et congeler des aliments,
- préparer des glaçons.

Cet appareil est destiné à un usage domestique dans un foyer privé, et à l'environnement domestique.

Avertissements de la Proposition 65 de l'État de la Californie



AVERTISSEMENT :

Ce produit contient des produits chimiques connus de l'État de la Californie pour causer le cancer, des anomalies congénitales ou d'autres problèmes de reproduction.

Conseils pour la mise au rebut

Mise au rebut de l'emballage

L'emballage protège votre appareil contre les dégâts qu'il pourrait subir en cours de transport. Tous les matériaux qui le constituent sont compatibles avec l'environnement et recyclables. Aidez-nous : à éliminer l'emballage dans le respect de l'environnement.

Pour savoir comment vous débarrasser de l'emballage, veuillez consulter votre revendeur ou les services administratifs de votre mairie.

Mise au rebut de l'ancien appareil

Les appareils usagés ne sont pas des déchets sans valeur ! Leur élimination dans le respect de l'environnement permet d'en récupérer de précieuses matières premières.

AVERTISSEMENT :

Avant de mettre au rebut l'appareil qui ne sert plus :

1. Débranchez la fiche mâle de la prise de courant.
2. Sectionnez le cordon d'alimentation puis enlevez-le avec la fiche mâle.
3. Pour dissuader les enfants de grimper dans l'appareil, ne retirez pas les clayettes et les bacs !
4. Pour empêcher que des enfants ne s'enferment accidentellement dans l'appareil qui a cessé de servir :
Retirez les portes de l'appareil !
5. Ne permettez pas aux enfants de jouer avec l'appareil lorsqu'il ne sert plus. Risque d'asphyxie !

Les appareils frigorifiques contiennent des fluides frigorigènes et des gaz isolants qui nécessitent une mise au rebut adéquate. Veillez à ce que les tuyaux du circuit frigorifique de votre appareil ne soient pas endommagés jusqu'à son élimination dans les règles de l'art.

Étendue des fournitures

Après avoir déballé, vérifiez toutes les pièces pour détecter d'éventuels dégâts dus au transport.

En cas de réclamation, veuillez vous adresser au revendeur auprès duquel vous avez acquis l'appareil ou auprès de notre service après-vente.

La livraison comprend les pièces suivantes :

- Appareil indépendant
- Équipement (selon le modèle)
- Sachet avec quincaillerie de montage
- Notice d'utilisation
- Notice de montage
- Carnet de service après-vente
- Pièce annexe de la garantie
- Informations relatives à la consommation d'énergie et aux bruits

Installation de l'appareil

Faites installer l'appareil par un spécialiste qui respectera le contenu de la notice de montage ci-jointe.

AVERTISSEMENT :

N'installez pas cet appareil :

- En plein air
- Dans un environnement où de l'eau goutte,
- Dans des locaux à risque de gel.

Transport

Les appareils sont lourds. Il faut les sécuriser en vue du transport et pendant le montage.

En raison du poids et des dimensions de l'appareil, pour réduire au maximum le risque de blessures ou d'endommager l'appareil, il faudra au moins deux personnes pour installer l'appareil de manière sûre.

Lieu d'installation

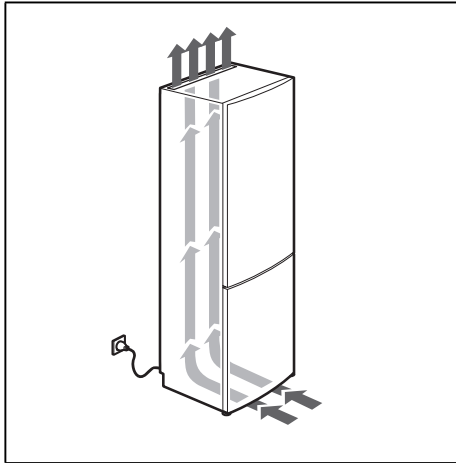
Un local sec et aérable convient comme lieu d'installation. Il faudrait que le lieu d'installation ne soit pas directement exposé aux rayons solaires et pas à proximité d'une source de chaleur (cuisinière, radiateur, etc.). Si l'installation à côté d'une source de chaleur est inévitable, veuillez utiliser un panneau isolant approprié ou respecter les écarts minimums suivants par rapport à la source de chaleur :

- Par rapport aux cuisinières électriques ou à gaz 11/4" (3 cm).
- Par rapport à un appareil de chauffage au fuel ou au charbon 11¹³/₁₆" (30 cm).

Sur l'emplacement, le sol ne doit pas s'affaisser. Renforcez-le le cas échéant.

Aération

L'air situé contre la paroi arrière et les parois latérales de l'appareil s'échauffe. L'air chaud doit pouvoir s'échapper sans obstacle. S'il ne le peut pas, le groupe frigorifique doit fonctionner plus longtemps, ce qui augmente la consommation de courant. Pour cette raison, ne recouvrez ni et n'obstruez jamais les orifices d'aération de l'appareil.



Branchement de l'appareil

Après l'installation de l'appareil en position verticale, attendez au moins une heure avant de le mettre en service. Il peut en effet arriver, pendant le transport, que l'huile présente dans le compresseur se déplace vers le circuit frigorifique.

Avant la première mise en service, nettoyez le compartiment intérieur de l'appareil. (Voir le chapitre « Nettoyage de l'appareil ».)

Connexion électrique



AVERTISSEMENT :

Évitez le risque de choc électrique !



AVERTISSEMENT :

Connectez avec une prise femelle tripolaire reliée à la terre. N'enlevez jamais la phase de terre. N'utilisez aucun adaptateur. N'utilisez aucun prolongateur.



AVERTISSEMENT :

Une erreur dans l'exécution de ces instructions peut entraîner la mort, un incendie ou un choc électrique. La connexion incorrecte du fil de terre peut entraîner un choc électrique. Si vous n'êtes pas certain(e) que l'appareil a été correctement connecté à la terre, faites-le vérifier par un électricien qualifié ou par un technicien du service après-vente.

N'utilisez ni prolongateur ni dispositif multiprises. Le raccordement de cet appareil demande la présence d'une prise femelle fixe.

La prise doit être proche de l'appareil et demeurer librement accessible même après avoir installé ce dernier.

L'appareil est conforme à la classe de protection I. Connectez l'appareil au courant alternatif 115 V / 60 Hz, via une prise femelle installée réglementairement et comportant un fil de terre.

La prise doit être protégée par un fusible supportant un ampérage de 10 A à 16 A.

L'appareil est livré équipé d'un cordon de raccordement au réseau à trois fils homologué UL.

L'appareil requiert une prise à trois pôles.

Veillez dans ce contexte tenir compte du tableau suivant :

Appareil	Charge maximale simultanée
Réfrigérateur / Congélateur combiné	6.0 ampères

Vérifiez sur la plaque signalétique si la tension indiquée et le type de courant correspondent au paramétrage de votre réseau électrique. La position de la plaque signalétique est indiquée au chapitre Service après-vente.



AVERTISSEMENT :

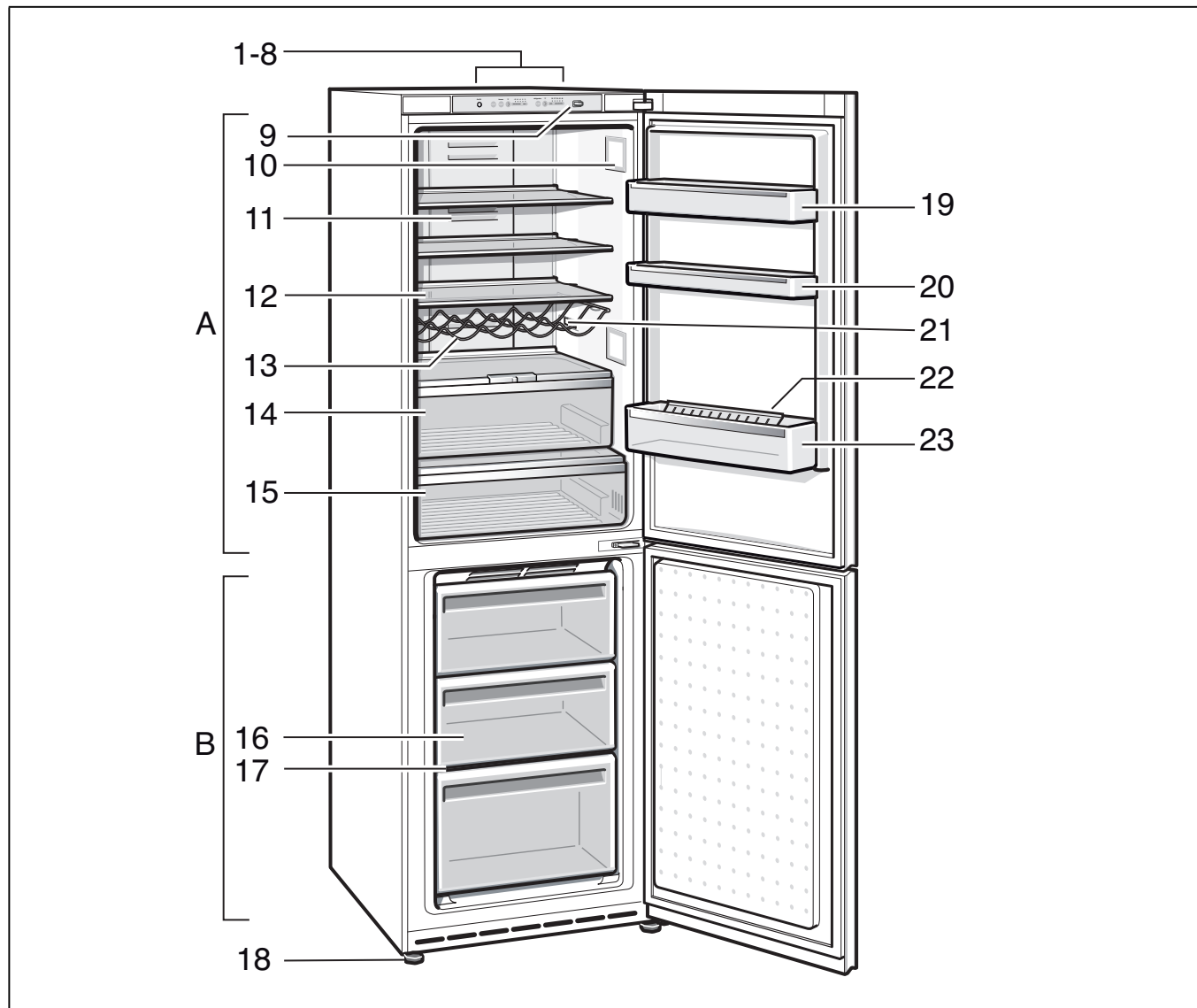
Il ne faut en aucun cas raccorder l'appareil à des fiches électroniques d'économie d'énergie.

Nos appareils peuvent être alimentés via des onduleurs pilotés par le secteur ou à pilotage sinusoïdal. Directement raccordées au secteur public, les installations photovoltaïques font appel à des onduleurs pilotés par le secteur. Dans les solutions en îlots (p. ex. sur les bateaux ou les refuges de montagne), ne disposant pas d'un raccordement direct au secteur électrique public, il faut utiliser des onduleurs à pilotage sinusoïdal.

Présentation de l'appareil

La présente notice d'utilisation vaut pour plusieurs modèles.

L'équipement des modèles peut varier.
Selon le modèle, l'appareil peut différer du contenu des illustrations.



A Compartiment réfrigérateur

B Compartiment congélateur

1-8 Éléments de commande

9 Interrupteur d'éclairage

10 Éclairage (LED)

11 Orifice de sortie d'air

12 Clayettes du compartiment réfrigérateur

13 Clayette à bouteilles

14 Bac à légumes

15 Compartiment froid

16 Tiroir de congélation

17 Grille de congélation

18 Pied à vis

19 Balconnet à œufs

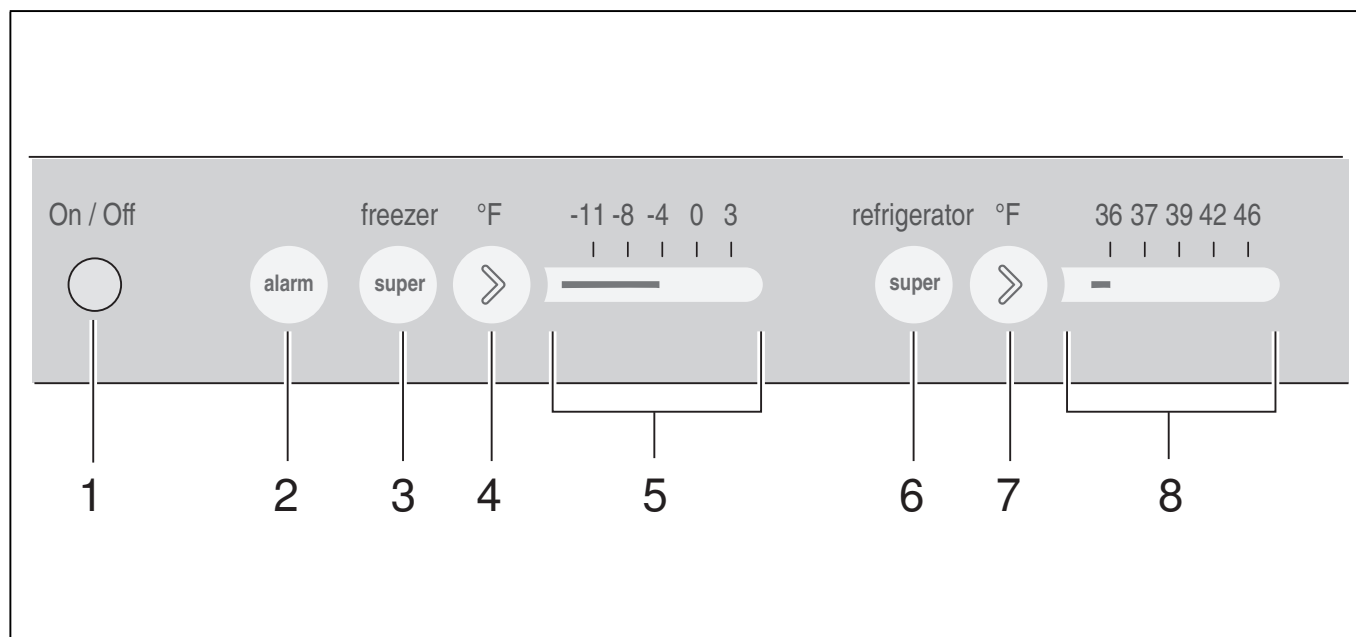
20 Rangement en contre-porte

21 Filtre à charbon actif

22 Porte-bouteilles

23 Clayette à grandes bouteilles

Éléments de commande



- 1 **Touche „On/Off“**
Sert à allumer et éteindre l'ensemble de l'appareil.
- 2 **Touche „alarm“**
Sert à désactiver l'alarme sonore (voir le chapitre « Fonction alarme »).
- 3 **Touche „super freezer“**
Pour allumer et éteindre la supercongélation.
- 4 **Touche „> °F“**
Cette touche sert à régler la température du compartiment congélateur.
- 5 **Affichage compartiment congélateur**
Indique le réglage actuel de la température dans le compartiment congélateur.
- 6 **Touche „super refrigerator“**
Pour allumer et éteindre la super-réfrigération.
- 7 **Touche „> °F“**
Cette touche sert à régler la température du compartiment réfrigérateur.
- 8 **Affichage compartiment réfrigérateur**
Indique le réglage actuel de la température dans le compartiment réfrigérateur.

Enclenchement de l'appareil

1. Allumez l'appareil par la touche „On/Off“. Une alarme sonore retentit. La touche „alarm“ clignote.
2. Appuyez sur la touche „alarm“. L'alarme sonore s'éteint.
La touche „alarm“ s'allume jusqu'à ce que la température réglée soit dans le compartiment congélateur atteinte.
Porte en position ouverte, l'éclairage du compartiment réfrigérateur est allumé.

Remarque :

Le fait d'appuyer sur l'interrupteur d'éclairage lorsque la porte se trouve en position ouverte éteint l'éclairage et les affichages des éléments de commande.

Les températures pré-réglées ne sont atteintes qu'au bout de plusieurs heures. Pendant cette période, ne rangez pas de produits alimentaires dans l'appareil !

Le fabricant recommande les températures suivantes :

- Compartiment congélateur : 0 °F
- Compartiment réfrigérateur : 39 °F

Remarques concernant le fonctionnement de l'appareil

- Après son allumage, l'appareil peut avoir besoin de plusieurs heures pour atteindre les températures réglées.
- Grâce au système No Frost entièrement automatique, le compartiment congélateur ne se couvre pas de givre. Il n'est plus nécessaire de dégivrer.
- L'appareil chauffe légèrement une partie de ses surfaces frontales pour empêcher une condensation d'eau dans la zone du joint de porte.
- Si la porte du compartiment congélateur ne se laisse pas immédiatement rouvrir après l'avoir fermée, attendez un moment pour laisser à la dépression régnant dans le compartiment le temps de se résorber.

Réglage de la température

Compartiment réfrigérateur

La température est réglable entre 36 °F et 46 °F (+2 °C et +8 °C).

Appuyez sur la touche de réglage de la température „> °F“ jusqu'à ce que la température souhaitée soit réglée dans le compartiment réfrigérateur.

L'appareil mémorise la valeur réglée en dernier. La température réglée apparaît à l'affichage de température.

Nous recommandons de régler le compartiment réfrigérateur sur 39 °F (+4 °C).

Évitez de stocker les produits alimentaires délicats à une température supérieure à 39 °F (+4 °C).

Compartiment congélateur

La température est réglable entre 3 °F et -11 °F (-16 °C et -24 °C).

Appuyez sur la touche de réglage de la température „> °F“ jusqu'à ce que la température souhaitée soit réglée dans le compartiment congélateur.

L'appareil mémorise la valeur réglée en dernier. La température réglée apparaît à l'affichage de température.

Mode économie d'énergie

L'affichage des éléments de commande passe en mode Économie d'énergie si vous n'effectuez aucune manip sur l'appareil.

Seuls restent allumés les petits voyants nécessaires, mais avec une luminosité réduite.

Dès que vous utilisez l'appareil, que vous ouvrez la porte par exemple, l'affichage commute sur l'éclairage normal.

Fonction alarme

Une alarme sonore peut se déclencher dans les cas suivants :

Alarme de porte

Si l'appareil reste ouvert plus d'une minute, l'alarme de porte s'allume (tonalité permanente). Le fait de fermer la porte ou d'appuyer sur la touche Alarme 2 désactive l'alarme.

Alarme de température

L'alarme de température s'enclenche lorsque la température a trop monté dans le compartiment congélateur et que les produits surgelés risquent de s'abîmer.

- Touche d'alarme „alarm“ clignote: Les produits congelés sont à risque ou ont été à risque de s'abîmer.
- Touche d'alarme „alarm“ allumé: Les produits congelés ne risquent pas de s'abîmer.

L'alarme peut s'activer dans les cas suivants, sans que cela signifie que les produits congelés risquent de s'abîmer :

- lors de la mise en service de l'appareil
- lors du rangement de grandes quantités de produits frais
- lorsque la porte du compartiment congélateur est restée trop longtemps ouverte

Remarque :

Ne remettez pas à congeler des produits alimentaires partiellement ou entièrement décongelés. Vous pourrez les recongeler uniquement après les avoir transformés en plats pré-cuisinés (par cuisson ou rôtissage). N'utilisez pas la durée de conservation dans son intégralité.

Désactiver l'alarme

Appuyez sur la touche « alarm » pour éteindre l'alarme sonore.

Contenance utile

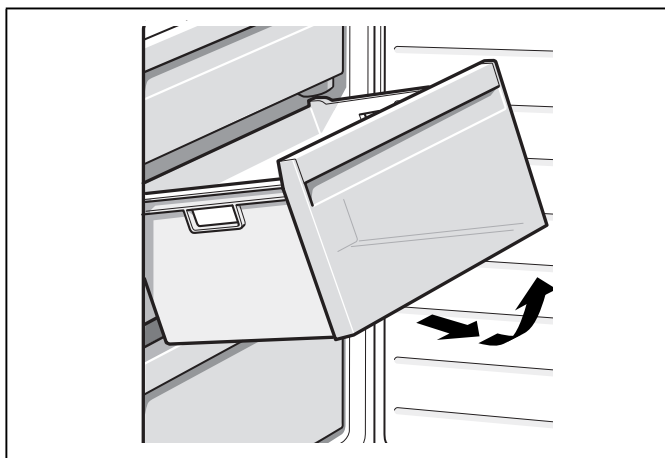
Sur la plaque signalétique (voir la figure au chapitre « Service après-vente ») vous trouverez des indications sur le volume utile.

Utiliser l'intégralité du volume de congélation

Pour pouvoir ranger la quantité maximale de produits congelés, il est possible de retirer tous les bacs à produits congelés de l'appareil, sauf le bac du bas. Il est possible d'empiler les produits alimentaires directement sur les grilles de congélation.

Retirer les pièces d'équipement

Tirez le bac à produit congelés à vous jusqu'à la butée, soulevez-le à l'avant puis extrayez-le.



Le compartiment réfrigérateur

Le compartiment réfrigérateur est l'endroit idéal où ranger la viande, la charcuterie, le poisson, les produits laitiers, les œufs, les plats précuisinés et les pâtisseries.

Consignes de rangement

- Rangez des produits alimentaires frais et intacts. Ils conserveront ainsi plus longtemps leur qualité et leur fraîcheur.
- Produits tout prêts et liquides conditionnés : respectez la date de conservation minimum ou la date de consommation indiquée par le fabricant.
- Pour préserver l'arôme, la teinte et la fraîcheur, rangez les produits alimentaires bien emballés ou couverts. Ceci empêche que certains aliments ne communiquent leur goût à d'autres et que les pièces en plastique changent anormalement de couleur.
- Attendez que les boissons et aliments chauds aient refroidi à la température de la pièce avant de les ranger dans l'appareil.

Remarque :

Évitez que les produits alimentaires entrent en contact avec la paroi arrière. Cela gênerait sinon la circulation de l'air.

Les produits alimentaires ou les emballages pourraient rester collés, par congélation, contre la paroi arrière.

Tenez compte des différentes zones froides dans le compartiment réfrigérateur

L'air circulant dans le compartiment réfrigérateur fait que des zones différemment froides apparaissent :

- **La zone la plus froide**
se trouve dans le compartiment intérieur, contre la paroi arrière et dans le compartiment froid. Voir la section « Présentation de l'appareil ».

Remarque :

Dans la zone la plus froide, rangez les aliments délicats (par ex. le poisson, la charcuterie, la viande).

- **La zone la moins froide**
se trouve complètement en haut, contre la porte.

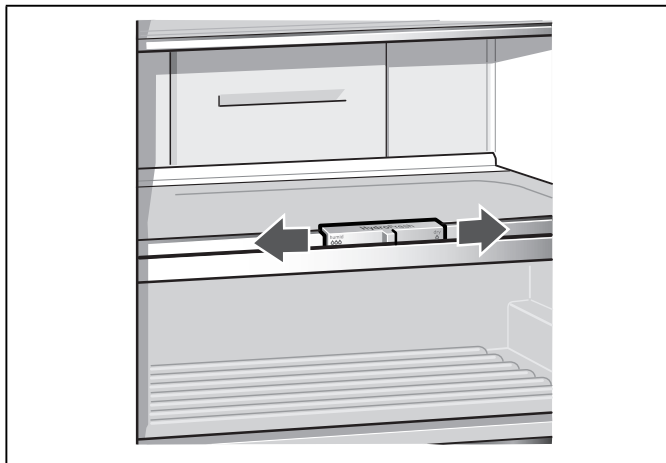
Remarque :

Rangez dans la zone la moins froide par ex. le fromage dur et le beurre. De la sorte, le fromage peut continuer de développer son arôme et le beurre demeure tartinable.

Bac à légumes avec régulateur d'humidité

Pour créer un climat de stockage optimal pour les légumes et les fruits, vous pouvez, en fonction de la quantité rangée, régler l'humidité de l'air qui règnera dans le bac à légumes.

- petites quantités des fruits et légumes – humidité de l'air élevée
- grandes quantités des fruits et légumes – humidité de l'air réduite



Remarque :

- Il est recommandé de ranger les fruits (par exemple ananas, bananes, papayes, agrumes) et légumes (par exemple les aubergines, concombres, courgettes, poivrons, tomates et pommes de terre) qui craignent le froid hors du réfrigérateur à des températures entre 46 °F à 54 °F (+8 °C à + 12 °C) pour en préserver la qualité et l'arôme.
- Suivant la quantité et la nature des produits stockés, de l'eau peu se condenser dans le bac à légumes. Retirez l'eau condensée avec un essuie-tout sec et ajustez l'humidité de l'air dans le bac à légumes via le régulateur d'humidité.

Compartiment froid

Voir la section « Présentation de l'appareil ».

Les températures régnant dans le compartiment froid sont plus basses que dans le compartiment réfrigérateur. Des températures inférieures à 32 °F (0 °C) peuvent également se manifester.

Idéal pour ranger le poisson, la viande et la charcuterie. Ne convient pas pour les salades, les légumes et les produits alimentaires qui craignent le froid.

Super-réfrigération

Pendant la super-réfrigération, la température dans le compartiment réfrigérateur descend le plus bas possible pendant env. 6 heures. Ensuite, l'appareil commute sur la température réglée avant que vous n'activiez la super-réfrigération.

Activez la super-réfrigération par exemple :

- avant de ranger de grandes quantités d'aliments.
- avant de réfrigérer rapidement des boissons.

Allumage et extinction

Appuyez sur la touche „super refrigerator“.

Le voyant de la touche est allumé si vous avez activé la super-réfrigération.

Compartiment congélateur

Utilisation du compartiment congélateur

- Sert à ranger des produits surgelés.
- Sert à confectionner des glaçons.
- Pur congeler des produits alimentaires.

Remarque :

Veillez à ce que la porte du compartiment congélateur soit correctement fermée ! Si cette porte reste ouverte, les produits surgelés dégèleront. Le compartiment congélateur se givre fortement. En outre : gaspillage d'énergie dû à une consommation élevée d'électricité !

Capacité de congélation maximale

Sur la plaquette signalétique, vous trouverez des indications concernant la capacité de congélation maximale en 24 heures (voir la Fig. dans le chapitre « Service après-vente »).

Congélation et rangement

Achats de produits surgelés

- Leur emballage doit être intact.
- Ne dépassez pas la date-limite de conservation.
- Il faut que la température dans le congélateur bahut du supermarché soit de 0 °F ou encore plus basse.
- Utilisez de préférence un sac isotherme pour le transport puis rangez les produits le plus rapidement possible dans le compartiment congélateur.

Consignes de rangement

- Rangez les quantités assez importantes de produits alimentaires dans le compartiment le plus haut. Ils y seront congelés à la fois très vite et en douceur.
- Étalez les produits alimentaires sur une grande surface dans les compartiments et / ou dans les bacs à produits congelés.

Remarque :

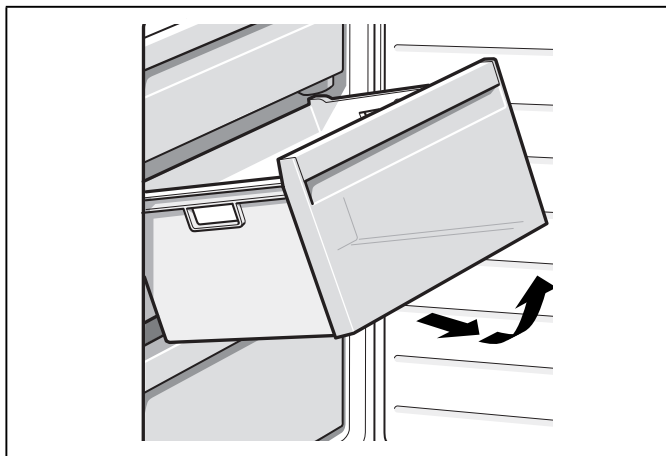
Veillez à ce que les produits congelés n'entrent pas en contact avec des produits frais. Le cas échéant, placez les produits congelés dans d'autres bacs à produits congelés.

Rangement des produits surgelés

Insérez le bac à produits congelés jusqu'à la butée, afin d'assurer une circulation impeccable de l'air.

Si vous devez stocker beaucoup d'aliments, vous pouvez sortir tous les bacs à produits congelés de l'appareil sauf le plus bas et entreposer les produits alimentaires directement sur les grilles.

Pour retirer les bacs, tirez-les jusqu'à la butée ; levez-les à l'avant puis sortez-les.



Congélation de produits frais

Pour congeler les aliments, n'utilisez que des aliments frais et d'un aspect impeccable.

Il faudrait blanchir les légumes avant de les congeler, pour préserver le mieux possible leur valeur nutritive, leur arôme et leur teinte. Il n'est pas nécessaire de blanchir les aubergines, poivrons, courgettes et asperges.

Vous trouverez en librairie toute une bibliographie sur la congélation et le blanchissement.

Remarque :

Veillez à ce que les produits alimentaires à congeler n'entrent pas en contact avec des produits déjà congelés.

- Se prêtent à la congélation :

Pâtisseries, poissons et fruits de mer, viande de boucherie et gibier, volaille, fruits, légumes, herbes culinaires, œufs sans la coque, produits laitiers comme le fromage, le beurre et le fromage blanc, plats pré-cuisinés et restes de plats tels que les soupes, ragouts, la viande et le poisson cuits, les plats aux pommes de terre, les soufflés et mets sucrés.

- Ne se prêtent pas à la congélation :

Variétés de légumes habituellement dégustées crues telles que la salade ou les radis, œufs dans leur coque, raisins, pommes, poires et pêches entières, œufs cuits durs, yaourt, lait caillé, crème acidulée, crème fraîche et mayonnaise.

Emballer les surgelés

L'air ne doit pas pénétrer dans l'emballage pour que les aliments ne perdent pas leur goût ni ne sèchent pas.

1. Placez les aliments dans l'emballage.
2. Presser pour chasser l'air.
3. Obturez l'emballage hermétiquement.
4. Indiquez sur l'emballage le contenu et la date de congélation.

Emballages adaptés :

Feuilles en plastique, feuilles en polyéthylène, feuilles d'aluminium, boîtes de congélation.

Vous trouverez ces produits dans le commerce spécialisé.

Emballages inadaptés :

Le papier d'emballage, le papier sulfurisé, les feuilles de cellophane, les sacs poubelles et les sacs en plastique ayant déjà servi.

Moyens d'obturation adaptés :

Caoutchoucs, clips en plastique, ficelles, rubans adhésifs résistants au froid, ou assimilés.

Vous pouvez obturer les sachets et les feuilles en polyéthylène au moyen d'une thermosoudeuse.

Durée de conservation des produits surgelés

La durée de conservation dépend de la nature des produits alimentaires.

Si la température a été réglée sur 0 °F :

- Poisson, charcuterie, plats pré-cuisinés, pâtisseries : jusqu'à 6 mois
- Fromage, volaille, viande : jusqu'à 8 mois
- Fruits et légumes : jusqu'à 12 mois

Supercongélation

Il faudrait congeler les produits alimentaires à cœur le plus rapidement possible afin de préserver leurs vitamines, leur valeur nutritive, leur aspect et leur goût.

Pour empêcher une hausse indésirable de la température, allumez la supercongélation quelques heures avant de ranger des produits alimentaires frais. 4 à 6 heures suffisent généralement.

L'appareil fonctionne désormais en permanence. Le compartiment congélateur atteint une température très basse.

S'il faut utiliser la capacité de congélation maximale, il faut enclencher la supercongélation 24 heures avant de ranger des produits frais.

Si vous ne voulez congeler que de petites quantités d'aliments (jusqu'à 4.4 lb ou 2 kg), vous n'avez pas besoin d'enclencher la supercongélation.

Remarque :

Si vous avez activé la supercongélation, l'appareil peut fonctionner plus bruyamment.

Allumage et extinction

Appuyez sur la touche „super freezer“.

A l'enclenchement de la supercongélation, le voyant de la touche s'allume.

La supercongélation se désactive automatiquement au bout de 2½ jours.

Décongélation des produits

Selon la nature et l'utilisation des produits surgelés, vous pouvez choisir entre plusieurs possibilités :

- à la température ambiante,
- dans le réfrigérateur,
- dans le four électrique, avec / sans ventilateur à air chaud,
- dans le micro-ondes.



ATTENTION :

Ne remettez pas à congeler des produits alimentaires partiellement ou entièrement décongelés. Vous pourrez les recongeler uniquement après les avoir transformés en plats pré-cuisinés (par cuisson ou rôtissage).

Dans ce cas, consommez-les nettement avant la date limite de conservation.

Equipement

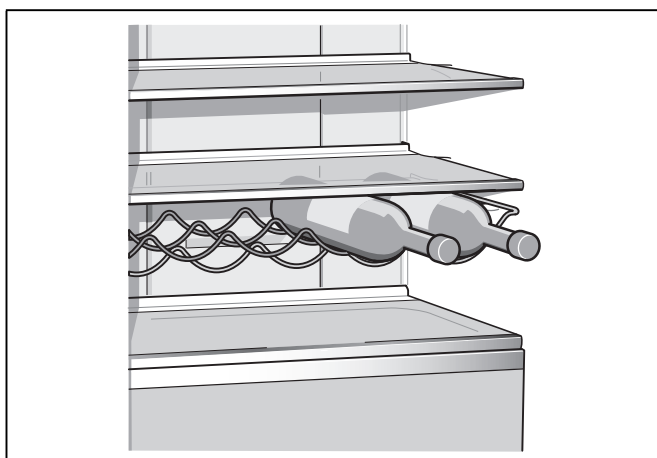
(selon le modèle)

Clayettes et bacs

Vous pouvez modifier à volonté l'agencement des clayettes dans le compartiment et des bacs en contreporte : Tirez la clayette en avant, abaissez-la et faites-la basculer latéralement pour l'extraire. Soulevez le bac puis sortez-le.

Clayette à bouteilles

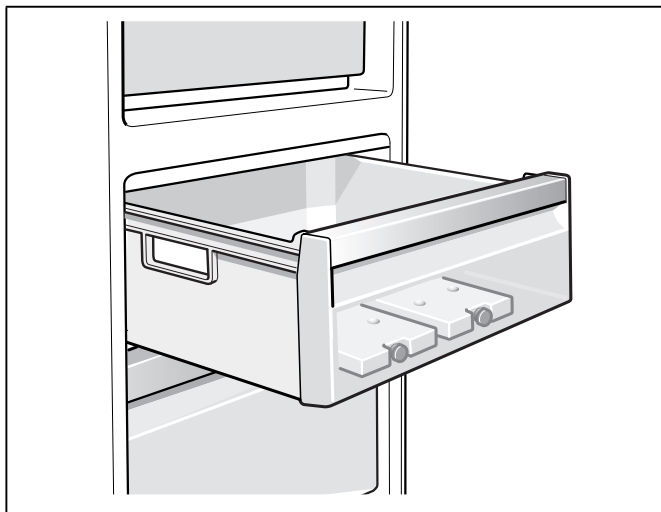
Cette clayette permet de ranger des bouteilles de manière sûre. La fixation est variable.



Accumulateurs de froid

Lors d'une coupure de courant ou en cas de panne, les accumulateurs de froid retardent le réchauffement des produits surgelés stockés dans l'appareil. Pour obtenir la plus longue durée de conservation, placez l'accumulateur dans le tiroir du haut, directement sur les produits alimentaires.

Vous pouvez également vous servir des accumulateurs de froid pour emporter des aliments par ex. dans un sac isotherme et les conserver ainsi au frais pendant une durée limitée.



Filtre à charbon actif

Le filtre à charbon actif permet de changer l'air et d'améliorer l'odeur à l'intérieur de l'appareil. Voir la section « Présentation de l'appareil ».

Arrêt et remisage de l'appareil

Coupure de l'appareil

Appuyez sur la touche „On/Off“.
Le groupe frigorifique s'éteint.

Remisage de l'appareil

Si l'appareil doit rester longtemps sans servir :

1. Éteignez l'appareil.
2. Déconnectez la fiche mâle du réseau ou ramenez le disjoncteur en position éteinte.
3. Nettoyez l'appareil.
4. Laissez la porte de l'appareil ouverte.

Nettoyage de l'appareil

⚠ ATTENTION :

- N'utilisez aucun produit de nettoyage ni aucun solvant contenant du sable, du chlorure ou de l'acide.
- N'utilisez jamais d'éponges abrasives ou susceptibles de rayer.

Des zones corrodées pourraient apparaître sur les surfaces métalliques.

- Ne nettoyez jamais les clayettes et les bacs au lave-vaisselle.

Ces pièces pourraient se déformer !

L'eau de nettoyage ne doit pas pénétrer

- dans les ouïes aménagées dans la partie avant du fond du compartiment congélateur,
- dans les éléments de commande,
- et dans l'éclairage.

Procédez comme suit :

1. Éteignez l'appareil avant de le nettoyer.
2. Débranchez la fiche mâle du secteur ou ramenez le disjoncteur en position éteinte.
3. Sortez les produits congelés et rangez-les dans un endroit frais. Posez les accumulateurs de froid (si fournis avec l'appareil) sur ces produits.
4. Attendez que la couche de givre ait fondu.
5. Ne nettoyez l'appareil qu'avec un chiffon doux, de l'eau tiède et du produit à vaisselle présentant un pH neutre. L'eau de nettoyage ne doit pas pénétrer dans l'éclairage.
6. N'essuyez le joint de porte qu'avec un chiffon et de l'eau propre ; ensuite, séchez-le à fond.
7. Après le nettoyage : reconnectez la fiche mâle de l'appareil puis rallumez-le.
8. Rangez à nouveau les produits surgelés dans les tiroirs.

Nettoyage des surfaces

Les surfaces extérieures de l'appareil sont dotés d'un revêtement spécial empêchant les souillures d'adhérer. Cela facilite le nettoyage et l'entretien.

- Ne nettoyez les surfaces extérieures de l'appareil qu'avec un essuie-tout humide.

⚠ ATTENTION :

Pour ne pas endommager le revêtement spécial :

- n'utilisez pas de produits laissant un film protecteur sur la surface, par exemple les huiles d'entretien pour surfaces en acier inoxydable.
- N'utilisez pas d'ustensiles ou de produits à récurer tels que les éponges à dos dur, les brosses métalliques, les objets métalliques pointus ou les crèmes à récurer.

- N'utilisez aucun détergent ou produit chimique agressif, par exemple les aérosols de dégivrage, les produits nettoyants pour fours, solvants, l'eau de javel ou les produits détachants.

Équipement

Pour nettoyer, il est possible de retirer toutes les pièces variables de l'appareil.

Retirer les clayettes en verre

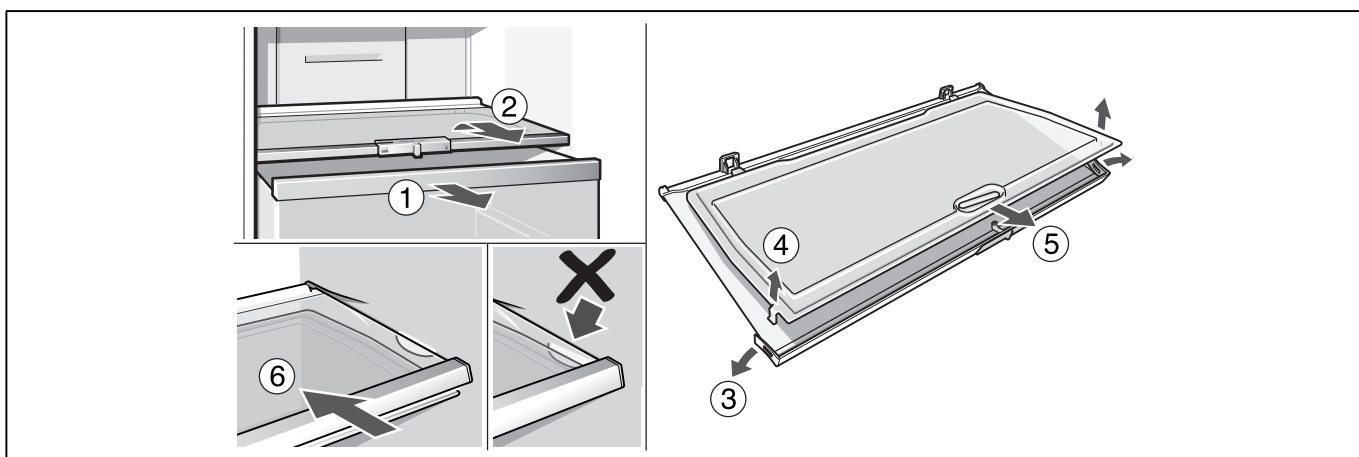
Tirez les clayettes en verre à vous puis extrayez-les.

Extraire la clayette en verre au dessus du bac à légumes

Vous pouvez retirer et démonter la clayette en verre pour la nettoyer.

Remarque :

Avant de retirer la clayette en verre, sortez d'abord le bac à légumes.



Clayette en verre du compartiment froid

(selon le modèle)

Remarque :

Ne nettoyez pas la clayette en verre du compartiment froid sous l'eau du robinet.

Avant de retirer la clayette en verre, retirez le bac à légumes et le compartiment froid.

Appuyez simultanément sur les fixations, soulevez la clayette en verre et tirez-la à vous.

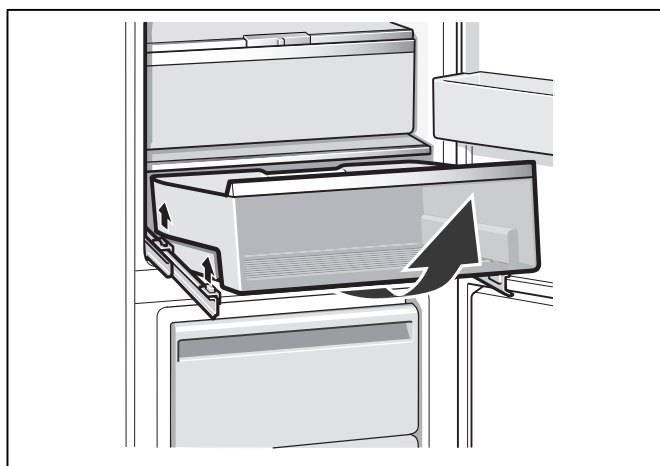
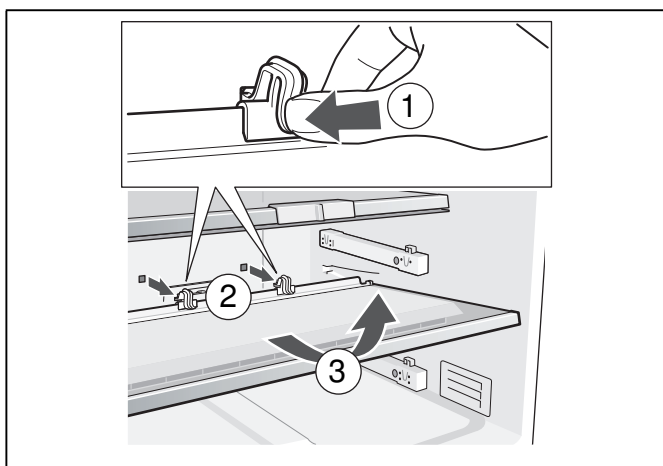
Tiroirs dans le compartiment réfrigérateur

Ouvrez le tiroir en grand, soulevez-le pour le décanter puis extrayez-le.

Pour mettre le tiroir en place, posez-le à l'avant sur les rails de sortie et poussez-le dans l'appareil. Appuyez sur le tiroir pour le faire enclencher.

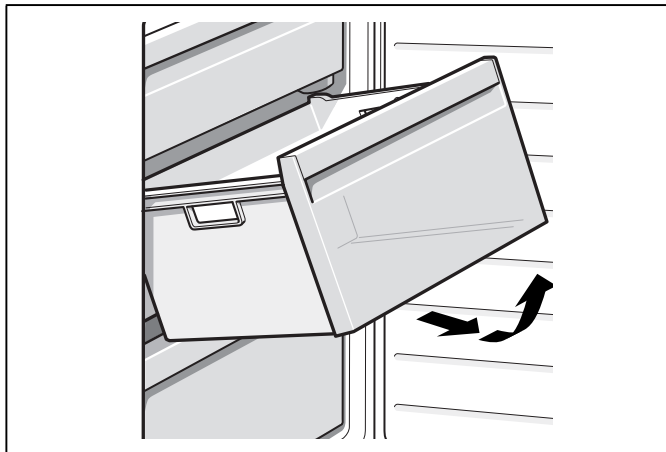
Remarque :

Avant de pouvoir extraire le tiroir à légumes, il faut au préalable retirer la clayette en verre qui se trouve au dessus.



Retirer le bac à produits congelés

Tirez le bac à produit congelés à vous jusqu'à la butée, soulevez-le à l'avant puis extrayez-le.

**Éclairage (LED)**

Votre appareil est équipé d'un éclairage par LED ne demandant pas d'entretien.

Les réparations de cet éclairage sont exclusivement réservées au service après-vente ou à des spécialistes autorisés.

Economies d'énergie

- Placez l'appareil dans un local sec et aéré. Veillez à ce que l'appareil ne soit pas directement exposé aux rayons solaires et qu'il ne se trouve pas à proximité d'une source de chaleur (par ex. radiateur, cuisinière).
Utilisez le cas échéant une plaque isolante.
- Attendez que les plats chauds aient refroidi avant de les ranger dans l'appareil.
- Déposez le produit congelé dans le compartiment réfrigérateur et profitez de son froid pour refroidir les produits alimentaires.
- N'ouvrez la porte de l'appareil que le plus brièvement possible.
- De temps en temps, nettoyez le dos de l'appareil, ceci pour éviter une hausse de la consommation d'électricité.
- Si présent(s) :
Montez les écarteurs muraux pour parvenir à la quantité mentionnée d'énergie absorbée par l'appareil (voir la notice de montage). Un écart moins élevé par rapport au mur ne restreint pas le fonctionnement de l'appareil. Dans ce cas, l'énergie absorbée peut augmenter légèrement.
- L'agencement des pièces d'équipement n'influe pas sur l'énergie absorbée par l'appareil.

Bruits de fonctionnement**Bruits parfaitement normaux****Bourdonnement sourd**

Les moteurs tournent (par ex. groupes frigorifiques, ventilateur).

Clapotis, sifflement léger ou gargouillis

Le fluide frigorigène circule dans les tuyaux.

Cliquetis

Le moteur, les interrupteurs ou les électrovannes s'allument / s'éteignent.

Craquement

Le dégivrage automatique a lieu.

Éviter la génération de bruits**L'appareil ne repose pas d'aplomb**

Veillez mettre l'appareil d'aplomb à l'aide d'un niveau à bulle. Ajustez ensuite l'horizontalité par les pieds à vis ou placez un objet dessous.

L'appareil touche quelque chose

Eloignez l'appareil de meubles ou appareils voisins.

Les bacs ou surfaces de rangement vacillent ou se coincent

Vérifiez les pièces amovibles puis remettez-les en place correctement.

Des bouteilles ou récipients se touchent

Eloignez légèrement les bouteilles ou récipients les uns des autres.

Remédier soi même aux petites pannes

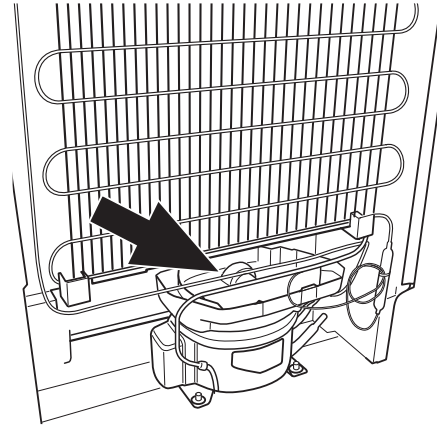
Avant d'appeler le service après-vente (SAV) :

Vérifiez svp si vous ne pouvez pas remédier vous-même au dérangement à l'aide des instructions qui suivent.

Vous éviterez des dépenses inutiles car le déplacement du technicien du SAV vous sera facturé même pendant la période de garantie.

Dérangement	Cause possible	Remède
La température dévie fortement par rapport au réglage.		Dans certains cas, il suffira d'éteindre l'appareil pendant 5 minutes. Si la température est trop élevée, vérifiez au bout de seulement quelques heures si un rapprochement de la température a eu lieu. Si la température est trop basse, vérifiez à nouveau la température le lendemain.
L'éclairage ne fonctionne pas.	L'interrupteur de l'éclairage est coincé.	Vérifiez si l'interrupteur d'éclairage se déplace.
	L'éclairage est défectueux.	(Voir le chapitre « Éclairage ».)
Luminosité réduite des éléments de commande.	Si l'appareil ne sert pas pendant un certain temps, l'affichage sur le bandeau de commande passe en mode Économie d'énergie.	Dès que vous réutilisez l'appareil, par exemple dès que vous ouvrez une porte, l'affichage revient sur sa luminosité normale.
Aucun voyant ne s'allume.	Coupure de courant ; disjoncteur disjoncté ; fiche mâle pas complètement branchée dans la prise.	Branchez la fiche mâle dans la prise de courant. Vérifiez s'il y a du courant, vérifiez les fusibles / disjoncteurs.
La température régnant dans le compartiment congélateur est trop élevée.	Vous avez ouvert fréquemment l'appareil.	N'ouvrez pas l'appareil inutilement.
	Les orifices d'apport et d'évacuation d'air sont recouverts par des objets faisant obstacle.	Enlevez les obstacles.
	Vous avez mis une assez grande quantité d'aliments à congeler.	Ne dépassez pas la capacité de congélation maximale.

Dérangement	Cause possible	Remède
La porte du compartiment congélateur est restée longtemps ouverte ; le compartiment congélateur n'atteint plus la température.	L'évaporateur (le générateur de froid) équipant le système No Frost est tellement givré qu'il ne peut plus se dégivrer de façon entièrement automatique.	Pour dégivrer l'évaporateur, sortez les produits alimentaires dans leurs casiers et rangez-les bien isolés dans un endroit frais. Éteignez l'appareil et éloignez-le du mur. Laissez la porte de l'appareil ouverte. Au bout de 20 minutes environ, l'eau de dégivrage commence à couler dans le bac d'évaporation au dos de l'appareil.



Pour éviter dans ce cas que le bac d'évaporation ne déborde, récupérez cette eau à l'aide d'une éponge.

L'évaporateur est entièrement dégivré lorsqu'il ne coule plus d'eau de dégivrage dans le bac d'évaporation. Nettoyez le compartiment intérieur. Remettez ensuite l'appareil en service.

Service après-vente

Si nécessaire, nous recommandons de confier l'inversion du sens d'ouverture de porte à notre service après-vente. Pour connaître le prix d'une inversion du sens d'ouverture de porte, consultez votre service après-vente compétent.

Avant d'appeler le service après-vente, veuillez vous référer au chapitre « Remédier soi-même aux petites pannes ».

Après vérification conformément au chapitre « Remédier soi-même aux petites pannes », il est possible d'appeler en plus, gratuitement, le Bosch Customer Interaction Center au 1-800-944-2904 depuis tout le territoire des USA.

Au Canada, veuillez vous adresser à votre SAV Bosch ou composer le numéro 1-800-944-2904.

Si vous avez besoin que le SAV vous aide, veuillez avant de l'appeler noter les informations suivantes relatives à votre appareil afin de les avoir à portée de main et que le SAV vous aide de manière plus ciblée.

Nom du revendeur :

Adresse :

N° de téléphone :

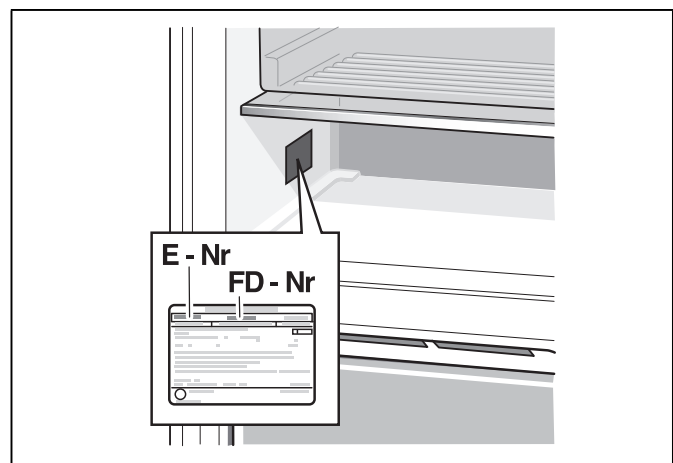
Date d'achat :

Numéro du modèle :

Numéro de fabrication (FD) :

Numéro de série

Type



es Índice

Consejos y advertencias de seguridad	36	Compartimento de congelación.....	44
Definition	36	El compartimento de congelación es adecuado ..	44
Antes de emplear el aparato nuevo	36	Capacidad máxima de congelación	44
Seguridad técnica	36	Congelar y guardar alimentos.....	45
Durante el uso.....	36	Puntos a tener en cuenta al comprar alimentos	
En caso de haber niños en el hogar.....	37	ultracongelados	45
Observaciones de carácter general	37	Prestar atención al colocar los alimentos	45
Advertencias en virtud de la Proposición 65		Guardar los alimentos congelados.....	45
del estado de California.....	37	Congelar alimentos frescos	46
Consejos para la eliminación del embalaje y el		Envasado de los alimentos	46
desguace de los aparatos usados.....	38	Calendario de congelación	46
♻️ Consejos para la eliminación del embalaje		Supercongelación	46
de los aparatos.....	38	Activar y desactivar.....	46
♻️ Desguace de los aparatos usados	38	Descongelar los alimentos.....	47
Volumen de suministro (elementos incluidos en el		Equipamiento.....	47
equipo de serie)	38	Estantes y recipientes	47
Instalación del aparato.....	38	Balda portabotellas.....	47
Transporte.....	38	Acumuladores de frío	47
Sitio de emplazamiento.....	38	Filtros de carbón activo	47
Ventilación	39	Desconexión y paro del aparato.....	47
Conectar el aparato a la red eléctrica	39	Desconectar el aparato.....	47
Conexión a la red eléctrica	39	Paro del aparato.....	47
Familiarizándose con la unidad	40	Limpieza del aparato	48
Elementos de mando	41	Modo de proceder:	48
Conectar el aparato.....	41	Limpiar la superficie exterior	48
Advertencias relativas al funcionamiento		Equipamiento	48
del aparato.....	42	Iluminación interior (LED).....	49
Ajustar la temperatura.....	42	Consejos prácticos para ahorrar energía eléctrica...	50
Compartimento frigorífico	42	Ruidos de funcionamiento del aparato.....	50
Compartimento de congelación	42	Ruidos de funcionamiento normales del aparato.	50
Modalidad de ahorro energético	42	Ruidos que se pueden evitar fácilmente.....	50
Función «alarm»	42	Pequeñas averías de fácil solución.....	51
Alarma de la puerta	42	Servicio al Cliente	53
Alarma de temperatura	42		
Desactivar la alarma	42		
Capacidad útil.....	43		
Aprovechar toda la capacidad			
de congelación del aparato	43		
Compartimento frigorífico.....	43		
Puntos a observar al guardar los alimentos.....	43		
¡Prestar atención a las diferentes zonas			
de frío del frigorífico!.....	43		
Cajón para la verdura con regulador			
de humedad	44		
Compartimento fresco.....	44		
Superfrío	44		
Activar y desactivar	44		

Consejos y advertencias de seguridad

Definition

AVISO:

Esto indica que la consecuencia en caso de incumplimiento puede ser la muerte o lesiones graves.

ATENCION:

Esto indica que en caso de incumplimiento, la consecuencia pueden ser lesiones leves o de mediana gravedad.

Antes de emplear el aparato nuevo

¡Lea detenidamente las instrucciones de uso y de montaje de su aparato! En éstas se facilitan informaciones y consejos importantes relativos a su seguridad personal, así como a la instalación, el manejo y el cuidado correctos del mismo.

El fabricante no se responsabiliza en absoluto de eventuales daños y perjuicios que pudieran producirse en caso de incumplimiento por parte del usuario de los consejos y advertencias de seguridad que se facilitan en las presentes instrucciones. Guarde las instrucciones de uso y de montaje para ulteriores consultas o para un posible propietario posterior.

Seguridad técnica

El equipo contiene agente refrigerante no contaminante pero inflamable R600a en cantidades reducidas. Al efectuar la instalación y montaje de la unidad, deberá prestarse particular atención a que el circuito de frío no sufra ningún tipo de daño o desperfecto. El agente refrigerante puede salpicar, encendiéndose o causando lesiones en los ojos.

En caso de daños:

- Mantener las fuentes de fuego o focos de ignición alejados del aparato.
- Ventilar el recinto durante varios minutos.
- Desconectar el aparato y extraer el cable de conexión de la red eléctrica.
- Notificar el servicio a clientes.

Cuanto mayor sea la cantidad de agente refrigerante contenida en el equipo, mayor deberá ser el ambiente donde se lo ubique. Si el ambiente es demasiado pequeño, puede generarse una mezcla inflamable entre el aire y el agente refrigerante en caso de una pérdida.

Las dimensiones mínimas de la habitación o local en donde se encuentra instalado el aparato deberán ser 1 m³ por cada 8 gramos de agente refrigerante. La cantidad de agente refrigerante que incorpora su aparato figura en la placa de características, que se encuentra en el interior del mismo.

Se utiliza agente refrigerante inflamable. Peligro de incendios o explosiones.

Este equipo debe ser reparado exclusivamente por personal especializado. Tener en cuenta las instrucciones de funcionamiento y montaje antes de efectuar el mantenimiento en el equipo. Tener en cuenta todas las indicaciones de seguridad y advertencia. No abrir los tubos del agente refrigerante por la fuerza. Seguir cuidadosamente las indicaciones de operación. Eliminar el equipo según las ordenanzas correspondientes y de acuerdo con las prescripciones locales o federales vigentes.

En caso de resultar dañado el cable de conexión del aparato y tener que sustituirlo, estos trabajos sólo podrán ser ejecutados por electricistas, técnicos del Servicio de Asistencia Técnica Oficial de la marca o personas con una cualificación profesional similar. La instalación o reparación efectuadas de modo erróneo o incorrecto pueden implicar serios peligros para el usuario.

Las reparaciones que fuera necesario efectuar sólo podrán ser ejecutadas por electricistas, técnicos del Servicio de Asistencia Técnica Oficial de la marca o personas con una cualificación profesional similar. Sólo podrán utilizarse piezas originales del fabricante. Sólo en el caso de utilizar piezas originales del fabricante, éste garantiza que cumplan las exigencias de seguridad planteadas.

El equipo se entrega con un cable de 3 conductores registrado según UL para su conexión a la red.

No se deberá cortar ni eliminar bajo ninguna condición el tercer conductor (de puesta a tierra).

El equipo requiere de un tomacorrientes de 3 polos. El tomacorrientes deberá ser instalado por personal especializado en electricidad.

Donde se encuentre un tomacorrientes de pared de 2 polos estándar, es responsabilidad personal y obligación del cliente, cambiar el mismo por un tomacorriente de 3 polos con toma de tierra de acuerdo a las prescripciones, reemplazando el que se encuentra instalado. No utilizar enchufes adaptadores.

Durante el uso

- No usar aparatos eléctricos en el interior de la unidad (por ejemplo calefacciones, heladoras, etc.). ¡Peligro de explosión!
- ¡No utilizar ningún tipo de limpiadora de vapor para desescarchar o limpiar la unidad! El vapor puede acceder a piezas eléctricas, provocando un cortocircuito. ¡Peligro de descargas eléctricas!
- ¡No rasar el hielo o la escarcha con ayuda de objetos metálicos puntiagudos o cortantes! Los conductos del agente refrigerante del compartimento de congelación podrían resultar dañados. El agente refrigerante puede salpicar, encendiéndose o causando lesiones en los ojos.

Consejos y advertencias de seguridad

- No guardar productos combinados con agentes o gases propelentes (por ejemplo sprays) ni materias explosivas en el aparato. ¡Peligro de explosión!
- No usar los zócalos, piezas extensibles, puertas, etc. para pararse encima o como apoyo.
- Antes de limpiar el aparato extraer el enchufe de la toma de corriente o desactivar el fusible. Tirar del enchufe, no del cable de conexión.
- Almacenar el alcohol de alta graduación solamente en recipientes herméticos y parado.
- No ensuciar las partes de material plástico y las juntas de las puertas con aceites o grasas. En caso contrario, las piezas de material plástico y las juntas se vuelven porosas.
- No obstruir ni cubrir nunca las rejillas de ventilación y aireación del aparato.
- **Evitar riesgos para niños y personas de riesgo:**
Existen peligros para niños, personas que presenten deficiencias corporales, psíquicas o bien que presenten deficiencias en su capacidad de percepción o bien personas que no dispongan del conocimientos suficiente respecto del manejo seguro del equipo.
Asegurarse que los niños y las personas de riesgo hayan comprendido los peligros existentes.
Una persona responsable de la seguridad debe supervisar y guiar a los niños y a personas de riesgo durante el uso del equipo.
El equipo no debe ser utilizado por niños menores que 8 años.
Supervisar los niños durante las tareas de limpieza y mantenimiento.
Nunca dejar que los niños jueguen con el equipo.
- Nunca almacenar líquidos (especialmente que contengan dióxido de carbono) contenidos en botellas o latas en el compartimiento congelador.
¡Las botellas y las latas pueden reventar!
- No introducir en la boca directamente los helados, polos o cubitos de hielo extraídos del congelador.
¡Peligro de quemaduras!
- ¡Evitar el contacto prolongado de las manos con los alimentos congelados, las capas de hielo o escarcha, o los tubos del evaporador!
¡Peligro de quemaduras!

En caso de haber niños en el hogar

- No dejar que los niños jueguen con el embalaje del aparato o partes del mismo.
¡Existe peligro de asfixia a causa de los cartones y las láminas de plástico!
- ¡No permita que los niños jueguen con la unidad ni se sienten sobre los cajones o se columpien de las puertas!
- ¡En caso de disponer la unidad de una cerradura, guardar la llave fuera del alcance de los niños!

Observaciones de carácter general

El aparato es adecuado

- para la refrigeración y congelación de alimentos,
- para la preparación de cubitos de hielo.

El presente aparato ha sido diseñado para el uso doméstico en el hogar particular o en su entorno.

Advertencias en virtud de la Proposición 65 del estado de California

AVISO:

Este producto contiene una o más sustancias químicas que el estado de California sabe que provocan cáncer, defectos congénitos, u otro daño reproductivo.

Consejos para la eliminación del embalaje y el desguace de los aparatos usados

Consejos para la eliminación del embalaje de los aparatos

El embalaje protege su aparato contra posibles daños durante el transporte. Todos los materiales de embalaje utilizados son respetuosos con el medio ambiente y pueden ser reciclados o reutilizados. Contribuya activamente a la protección del medio ambiente insistiendo en unos métodos de eliminación y recuperación de los materiales de embalaje respetuosos con el medio ambiente.

Su Distribuidor o Administración local le informará gustosamente sobre las vías y posibilidades más eficaces y actuales para la eliminación respetuosa con el medio ambiente de estos materiales.

Desguace de los aparatos usados

¡Los aparatos usados incorporan materiales valiosos que se pueden recuperar! Entregando el aparato a dicho efecto en un centro oficial de recogida o recuperación de materiales reciclables.

AVISO:

En caso de aparatos inservibles:

1. Extraer el cable de conexión de la red eléctrica.
2. Corte el cable de conexión del aparato y retírelo conjuntamente con el enchufe.
3. No retirar los soportes y baldas del aparato a fin de no facilitar a los niños el acceso al interior de éste.
4. Para evitar que se encierren niños en el interior del equipo radiado:
¡Quitar la puerta del equipo!
5. No permita que los niños jueguen con los aparatos inservibles. ¡Peligro de asfixia!

Todos los aparatos frigoríficos contienen gases aislantes y refrigerantes, que exigen un tratamiento y eliminación específicos. Preste atención a que las tuberías del circuito de frío de su aparato no sufran daños ni desperfectos antes de haberlo entregado en el correspondiente Centro Oficial de recogida.

Volumen de suministro (elementos incluidos en el equipo de serie)

Verifique que las piezas no presentan daños ni desperfectos debidos al transporte tras desembalarlas. En caso de constatar daños o desperfectos deberá dirigirse al distribuidor en donde adquirió su electrodoméstico o al Servicio de Asistencia Técnica Oficial de la marca.

El envío consta de los siguientes elementos:

- Aparato de libre instalación
- Equipamiento (según modelo)
- Bolsa con material de montaje
- Instrucciones de uso
- Instrucciones de montaje
- Cuaderno de mantenimiento
- Suplemento de la garantía
- Informaciones sobre el consumo de energía y los ruidos del aparato

Instalación del aparato

Encargar la instalación y conexión del aparato a la red eléctrica a un técnico especialista, de conformidad a las presentes instrucciones de montaje.



AVISO:

No emplazar este equipo:

- a la intemperie,
- en un entorno donde gotee agua,
- en ambientes con peligro de congelamiento.

Transporte

Los aparatos son pesados y tienen que asegurarse durante el transporte y montaje.

A causa del elevado peso y las dimensiones del aparato y con objeto de evitar o reducir a un mínimo los riesgos de daños o lesiones personales o desperfectos en el aparato, se requieren como mínimo dos personas para garantizar una instalación segura del mismo.

Sitio de emplazamiento

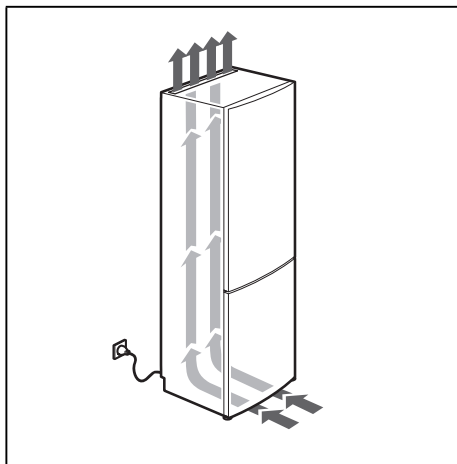
El Sitio más adecuado para el emplazamiento del aparato es una habitación seca, dotada de una buena ventilación. El aparato no debe instalarse de forma que reciba directamente los rayos del sol, ni tampoco encontrarse próximo a focos activos de calor tales como cocinas, calefacciones, etc. No obstante, si esto último fuera inevitable, se habrá de proteger la unidad con un panel aislante adecuado, o bien observar las siguientes distancias mínimas de separación con respecto a la fuente de calor en cuestión:

- Cocinas eléctricas y de gas, 1¹/₄" (3 cm).
- Cocinas de gas-oil o de carbón, 11¹³/₁₆" (30 cm).

El suelo en el Sitio de emplazamiento del aparato deberá poseer una suficiente capacidad de sustentación. En caso necesario deberá reforzarse adecuadamente.

Ventilación

El aire en las paredes posterior y laterales se calienta durante el funcionamiento normal del aparato. El aire recalentado debe poder escapar libremente. De lo contrario, el aparato tendrá que aumentar su rendimiento, provocando un consumo de energía eléctrica elevado e inútil. Por esta razón habrá que prestar particular atención a que las aberturas de ventilación y aireación no estén nunca obstruidas!



Conectar el aparato a la red eléctrica

Tras colocar el aparato en su emplazamiento definitivo deberá dejarse reposar éste durante aprox. una hora antes de ponerlo en funcionamiento. Durante el transporte del aparato puede ocurrir que el aceite contenido en el compresor penetre en el circuito del frío.

Limpiar el interior del aparato antes de su puesta en funcionamiento inicial (véase el capítulo «Limpieza el aparato»).

Conexión a la red eléctrica

⚠ AVISO:
¡Evite el peligro de una descarga eléctrica!

⚠ AVISO:
Conectar a un tomacorrientes tripolar con toma de tierra. Nunca eliminar la toma de tierra. No utilizar adaptadores. No utilizar cables de prolongación.

⚠ AVISO:
Un fallo en la ejecución de estas determinaciones, pueden ser causa de la muerte, incendios o descargas eléctricas. En caso de una conexión incorrecta del conductor de protección, pueden producirse descargas eléctricas. Haga controlar el equipo por un electricista calificado o por un técnico del servicio técnico, si existen dudas respecto de la correcta conexión a tierra del equipo.

No utilizar cables de prolongación ni distribuidores. Para conectar este aparato a la red eléctrica se requiere una toma de corriente fijamente instalada. La toma de corriente tiene que estar situada en las proximidades del aparato y ser libremente accesible tras su instalación.

El aparato corresponde al tipo de protección I. Conectar el aparato a una red de 115 V/60 Hz de corriente monofásica (corriente alterna) a través de una toma de corriente instalada correctamente y provista de conductor de protección. La toma de corriente debe estar protegida con un fusible de 10-16 amperios.

El equipo se entrega con un conductor de conexión a la red registrado en UL de 3 conductores. El equipo requiere de un tomacorrientes de 3 polos.

Favor de tener en cuenta la tabla siguiente en combinación con este aspecto:

Aparato	Carga máxima simultánea
Frigorífico / congelador	6.0 amperios

Controlar que las indicaciones contenidas en la chapa de características concuerden con la tensión y el tipo de corriente de su red en cuanto a sus valores. La ubicación de la chapa de características se encuentra en el capítulo de servicio a clientes.

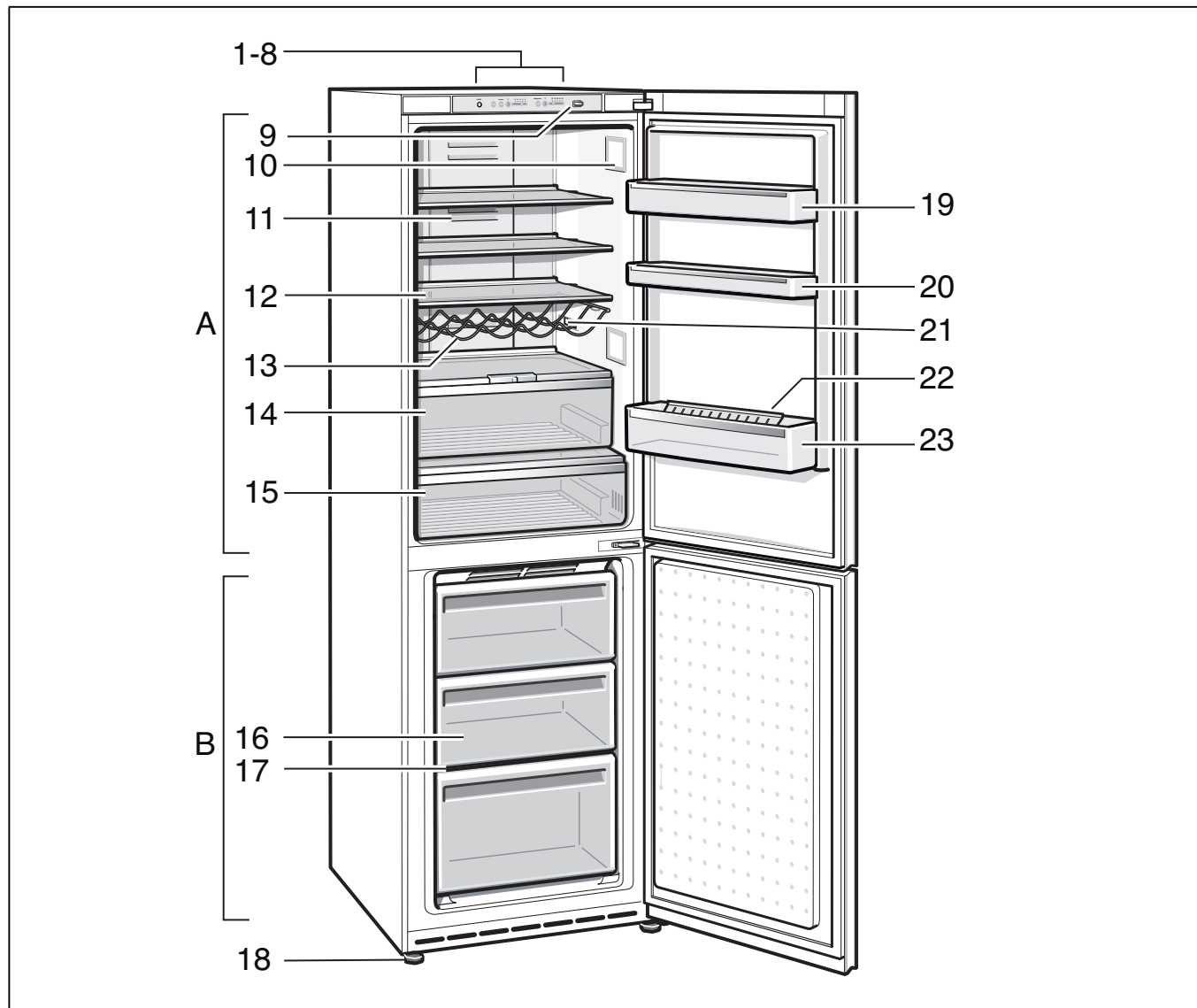
⚠ AVISO:
El aparato no se podrá conectar en ningún caso a conectores electrónicos para ahorro energético.

Nuestros aparatos se pueden conectar a rectificadores de corriente por onda sinusoidal o conmutados por red. Los rectificadores conmutados por red se emplean en las instalaciones fotovoltaicas conectadas directamente a la red pública de abastecimiento de corriente eléctrica. Para aplicaciones aisladas, como por ejemplo en buques o albergues de montaña que no disponen de conexión a la red eléctrica, tienen que emplearse rectificadores de onda sinusoidal.

Familiarizándose con la unidad

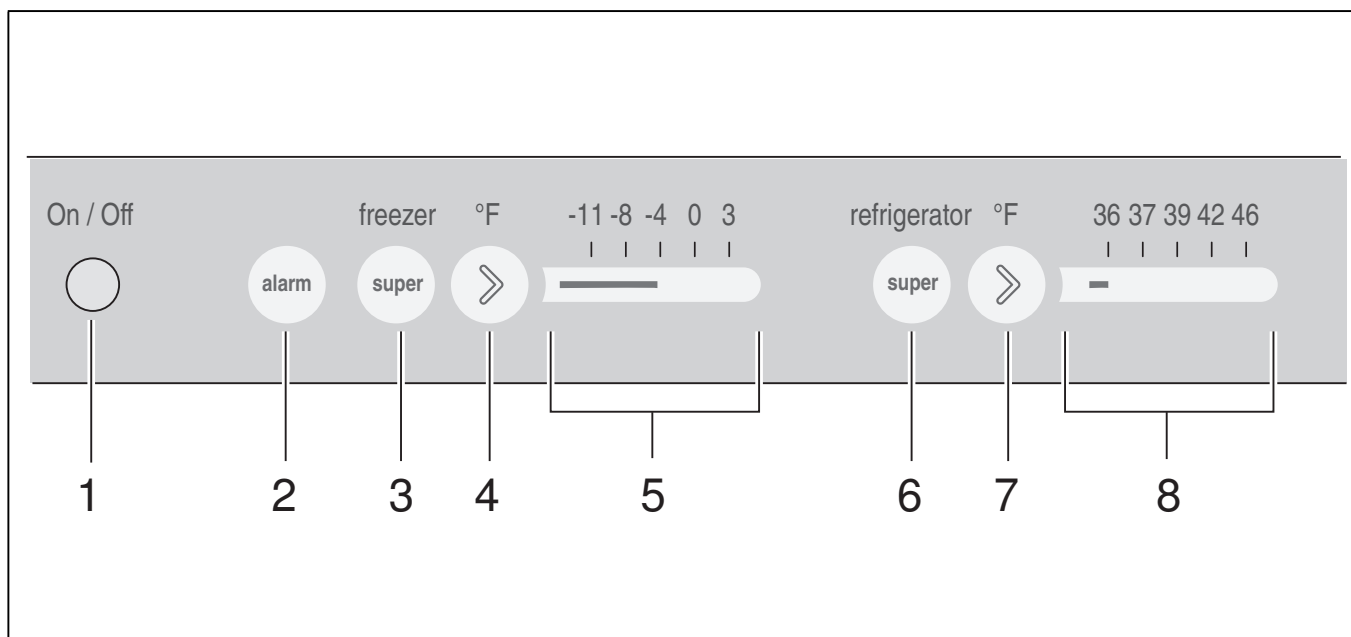
Las presentes instrucciones de uso son válidas para varios modelos de aparato.

El equipamiento de los distintos modelos puede variar. Por ello es posible que las ilustraciones muestren detalles y características de equipamiento que no concuerdan con las de su aparato concreto.



- | | | | |
|-----|--|----|---|
| A | Compartimento frigorífico | 15 | Compartimento fresco |
| B | Compartimento de congelación | 16 | Cajón de congelación |
| 1-8 | Elementos de mando | 17 | Rejilla congeladora |
| 9 | Interruptor de la iluminación interior | 18 | Soportes roscados |
| 10 | Iluminación interior (LED) | 19 | Huevera |
| 11 | Abertura de salida del aire | 20 | Estante de la puerta |
| 12 | Baldas en el compartimento frigorífico | 21 | Filtros de carbón activo |
| 13 | Soporte para botellas | 22 | Retenedor de botellas |
| 14 | Cajón para la verdura | 23 | Botellero para guardar botellas grandes |

Elementos de mando



- 1 **Tecla „On/Off“**
Para la conexión y desconexión del aparato completo.
- 2 **Tecla „alarm“**
Desactiva la alarma acústica (véase el capítulo «Función alarma»).
- 3 **Tecla „super freezer“**
Conecta y desconecta la función de supercongelación.
- 4 **Tecla „> °F“**
Sirve para ajustar la temperatura del compartimento de congelación.
- 5 **Pantalla de visualización compartimento de congelación**
Muestra la temperatura actual ajustada en el compartimento de congelación.
- 6 **Tecla „super refrigerator“**
Conecta y desconecta la función de superfrío.
- 7 **Tecla „> °F“**
Sirve para ajustar la temperatura del compartimento frigorífico.
- 8 **Pantalla de visualización del compartimento frigorífico**
Muestra la temperatura actual ajustada en el compartimento frigorífico.

Conectar el aparato

1. Conectar el aparato a través de la tecla „On/Off“. Se produce una señal acústica de aviso. La tecla „alarm“ parpadea.
2. Pulsar la tecla „alarm“. La alarma acústica está desactivada.
La tecla „alarm“ permanece iluminada hasta que se ha alcanzado la temperatura ajustada en el compartimento de congelación.
Estando la puerta abierta se activa la iluminación interior del compartimento frigorífico.

Nota:

En caso de pulsar el interruptor para la iluminación interior estando la puerta abierta, se apagan la iluminación interior y las indicaciones del cuadro de mandos.

Las temperaturas preajustadas se alcanzan al cabo de varias horas de funcionamiento. No introducir alimentos en el aparato antes de que haya transcurrido este período de tiempo.

De fábrica se aconseja ajustar las siguientes temperaturas:

- Compartimento de congelación: 0 °F
- Compartimento frigorífico: 39 °F

Advertencias relativas al funcionamiento del aparato

- El aparato puede necesitar varias horas hasta alcanzar todas las temperaturas ajustadas.
- Gracias al sistema automático No Frost, el compartimento de congelación permanece libre de escarcha, no siendo necesario efectuar su desescarchado. Por ello no hay que realizar el desescarchado del mismo.
- Los lados frontales del cuerpo del aparato son calentados ligeramente. De este modo se impide la formación de agua de condensación en la zona de la junta de la puerta.
- En caso de no poder abrir la puerta del compartimento de congelación inmediatamente después de cerrarla, aguardar unos instantes hasta que la depresión generada haya sido compensada.

Ajustar la temperatura

Compartimento frigorífico

La temperatura se puede ajustar de 36 °F a 46 °F (+2 °C a +8 °C).

Pulsar la tecla de ajuste de la temperatura „> °F“ repetidas veces, hasta alcanzar el valor que se desea ajustar en el compartimento frigorífico.

El valor mostrado en último lugar es memorizado. La temperatura ajustada se muestra en la indicación de la temperatura.

Aconsejamos ajustar en el compartimento frigorífico una temperatura de 39 °F (+4 °C).

Los alimentos delicados no deberán guardarse a una temperatura superior (más calor) a 39 °F (+4 °C).

Compartimento de congelación

La temperatura se puede ajustar de 3 °F a -11 °F (-16 °C a -24 °C).

Pulsar la tecla de ajuste de la temperatura „> °F“ repetidas veces, hasta alcanzar el valor que se desea ajustar en el compartimento de congelación.

El valor mostrado en último lugar es memorizado. La temperatura ajustada se muestra en la indicación de la temperatura5.

Modalidad de ahorro energético

En caso de no accionarse los mandos, la indicación de los elementos de mando cambia al modo de ahorro energético.

En tal caso, sólo los pilotos de aviso imprescindibles permanecen iluminados con una intensidad reducida.

Tan pronto como se acciona el aparato, abriendo por ejemplo la puerta, la indicación conmuta al estado de iluminación normal.

Función «alarm»

La alarma se puede producir en los siguientes casos:

Alarma de la puerta

Si la puerta del equipo está abierta por un tiempo mayor a un minuto, se activa la alarma correspondiente (señal continua). La señal se desactiva cerrado la puerta o accionando el pulsador 2.

Alarma de temperatura

La alarma de temperatura se activa en caso de registrarse en el compartimento de congelación una temperatura demasiado elevada (calor) y existir el peligro de que los alimentos congelados se descongelen.

- Tecla „alarm“ parpadea: Los productos congelados corren o han corrido riesgo de deteriorarse en algún momento.
- Tecla „alarm“ se ilumina: Los productos congelados no corren riesgo de deteriorarse.

La alarma puede activarse, sin significar por ello ningún peligro de deterioro inmediato de los alimentos, en los casos siguientes:

- al poner en marcha el aparato
- al introducir grandes cantidades de alimentos frescos
- en caso de haber estado abierta la puerta del compartimento de congelación durante un periodo demasiado prolongado

Nota:

No volver a congelar los alimentos que se hayan descongelado o empezado a descongelarse. Sólo se podrán volver a congelar tras asarlos, freírlos, hervirlos o preparar con ellos platos cocinados.

En este caso no se deberá agotar al máximo el tiempo de caducidad de los productos.

Desactivar la alarma

Pulsar la tecla «alarm» para desactivar la alarma acústica.

Capacidad útil

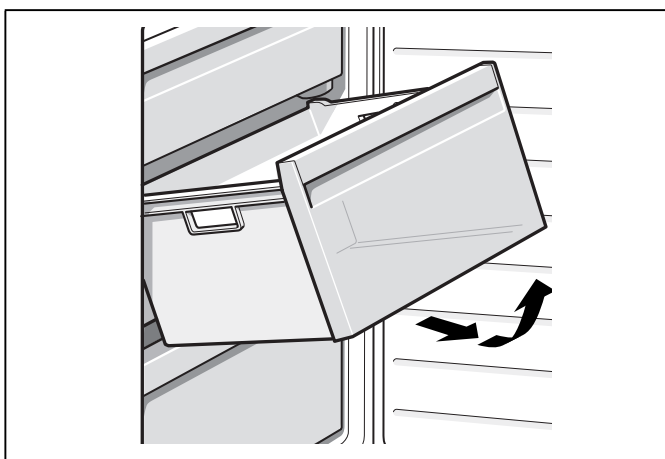
Las indicaciones sobre la capacidad útil del aparato figuran en la placa de características del mismo (véase la ilustración en el capítulo «Servicio de Asistencia Técnica»).

Aprovechar toda la capacidad de congelación del aparato

Para congelar la máxima cantidad de alimentos admisible se pueden retirar todos los cajones de congelación del aparato, excepto el cajón inferior. Los alimentos se pueden colocar directamente sobre las rejillas congeladoras.

Retirar los elementos y accesorios del aparato

Desplazar el cajón de congelación hacia el cuerpo del usuario hasta el tope, levantarlo por la parte frontal y retirarlo del aparato.



Compartimento frigorífico

El compartimento frigorífico es el lugar ideal para guardar carne, embutido, pescado, productos lácteos, huevos y platos cocinados, así como pan, bollería y productos de repostería.

Puntos a observar al guardar los alimentos

- Guarde preferentemente alimentos en estado fresco y en perfectas condiciones. De este modo conservarán su calidad y frescura durante más tiempo.
- En el caso de productos precocinados o alimentos envasados por el fabricante deberán observarse las fechas de caducidad o de consumo señaladas.
- Asimismo se aconseja envolver los alimentos bien o cubrirlos antes de introducirlos en el frigorífico a fin de que conserven su aroma, color y sabor. De este modo se evita, además, que puedan producirse transferencias de sabor de un alimento a otro o decoloraciones de las piezas de plástico en el compartimento frigorífico.
- Dejar enfriar los alimentos o bebidas calientes hasta una temperatura ambiente antes de introducirlos en el aparato.

Nota:

Evite el contacto directo de los alimentos con el panel posterior del aparato, de lo contrario la libre circulación del aire quedará afectada.

Los alimentos o envases podrían quedar adheridos al panel.

¡Prestar atención a las diferentes zonas de frío del frigorífico!

En función de la circulación del aire en el interior del frigorífico, se crean en éste diferentes zonas de frío.

- **La zona más fría**
se encuentra en el panel posterior y el compartimento fresco. Véase el capítulo «Familiarizándose con la unidad».

Nota:

Un consejo práctico: Guarde en las zonas más frías los alimentos más delicados (por ejemplo pescado, embutido, carne).

- **La zona de menos frío**
se encuentra en la parte superior de la cara interior de la puerta.

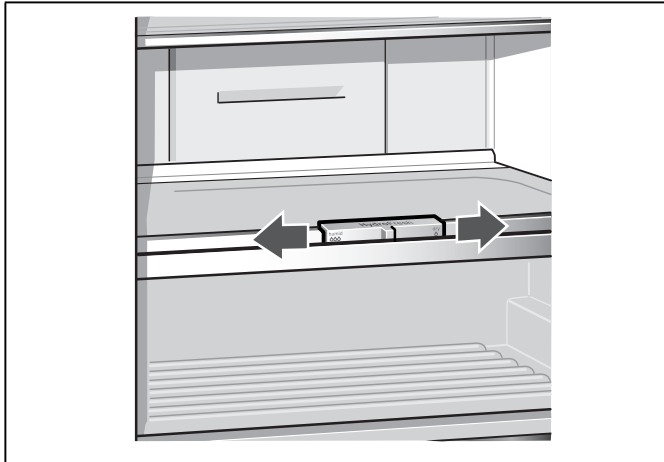
Nota:

Guardar, por ejemplo, en la zona menos fría el queso curado y la mantequilla. De esta manera el queso conservará su aroma y la mantequilla se podrá untar en el pan fácilmente.

Cajón para la verdura con regulador de humedad

Para crear el clima de almacenamiento óptimo para la fruta y verdura se puede regular – en función de las cantidades de alimentos introducidos – la humedad del aire en el cajón para la verdura:

- pequeñas cantidades de fruta y verdura – elevado grado de humedad del aire
- grandes cantidades de fruta y verdura – bajo grado de humedad del aire



Nota:

- La fruta (por ejemplo, piñas, plátanos, papayas y cítricos) y la verdura (berenjenas, pepinos, calabacines, pimientos, tomates y patatas) sensibles al frío deberán guardarse fuera del frigorífico a una temperatura de aprox. 46 °F a 54 °F (+8 °C a +12 °C) a fin de conservar óptimamente su calidad y sabor.
- En función de la cantidad y el tipo de alimento guardado en el cajón para la verdura, puede formarse agua de condensación en el mismo. Eliminar el agua de condensación con un paño seco y adaptar el grado de humedad del aire del cajón para la verdura a través del mando regulador de humedad.

Compartimento fresco

Véase el capítulo «Familiarizándose con la unidad». En el compartimento fresco reina una temperatura más baja (frío) que en el compartimento frigorífico, pudiendo registrarse también temperaturas inferiores a 32 °F (0 °C).

El compartimento es ideal para guardar el pescado, la carne y el embutido. No es apropiado para guardar lechugas, verduras y alimentos sensibles al frío.

Superfrío

Mediante esta función se enfría el compartimento frigorífico durante aprox. 6 horas hasta alcanzar la temperatura más baja posible, conmutando a continuación a la temperatura ajustada con anterioridad a la activación de la opción.

La función de superfrío se selecciona en caso de:

- antes de introducir grandes cantidades de alimentos.
- desear enfriar rápidamente bebidas.

Activar y desactivar

Pulsar la tecla „super refrigerator“.

La tecla se ilumina estando activada la función de superfrío.

Compartimento de congelación

El compartimento de congelación es adecuado

- para guardar productos ultracongelados,
- para preparar cubitos de hielo,
- para congelar alimentos frescos.

Nota:

¡Cerciorarse siempre de que la puerta del compartimento de congelación está cerrada correctamente! En caso de no estar bien cerrada la puerta, los alimentos se pueden descongelar. En el compartimento de congelación se produce una fuerte acumulación de escarcha. Además se produce un elevado consumo de energía eléctrica.

Capacidad máxima de congelación

Las indicaciones relativas a la máxima capacidad de congelación en 24 horas figuran en la placa de características del mismo (véase la ilustración en el capítulo «Servicio de Asistencia Técnica»).

Congelar y guardar alimentos

Puntos a tener en cuenta al comprar alimentos ultracongelados

- Prestar atención a que la envoltura del alimento o producto congelado no presente ningún tipo de daño.
- Verifique la fecha de caducidad de los alimentos. Cerciórese de que ésta no ha vencido.
- La indicación de la temperatura del congelador del establecimiento en donde adquiera los alimentos deberá señalar un valor mínimo de 0 °F.
- Al hacer la compra, recuerde que conviene adquirir los alimentos congelados en el último momento. Procure transportarlos directamente a casa envueltos en una bolsa isotérmica. Una vez en el hogar, deberá colocarlos inmediatamente en el compartimento de congelación.

Prestar atención al colocar los alimentos

- Colocar preferentemente grandes cantidades de alimentos frescos en el compartimento superior. Dado que aquí se congelan de un modo particularmente rápido y cuidadoso.
- Colocar los alimentos distribuyéndolos uniformemente en los compartimentos o los cajones de congelación.

Nota:

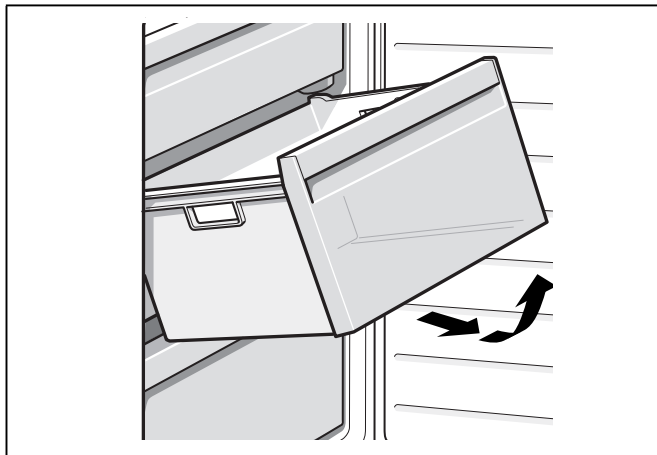
Los productos congelados que ya hubiera en el compartimento de congelación no deberán entrar en contacto con los alimentos frescos que se desean congelar. En caso necesario, recoger y apilar los alimentos congelados en otros cajones de congelación.

Guardar los alimentos congelados

Cerciorarse de que el cajón de congelación esté introducido a tope en el aparato a fin de asegurar una circulación impecable del aire por el aparato.

En caso de desear congelar una gran cantidad de alimentos se pueden retirar todos los cajones de congelación excepto el último, colocando los alimentos directamente sobre las rejillas congeladoras.

Para retirar el cajón de congelación, tirar del mismo hacia el cuerpo del usuario hasta el tope, levantarlos ligeramente por su parte frontal y retirarlos del aparato.



Congelar alimentos frescos

Si decide congelar usted mismo los alimentos, utilice únicamente alimentos frescos y en perfectas condiciones.

Blanquear (escaldar) las verduras antes de su congelación a fin de que su sabor, aroma o color no se deteriore, ni pierdan tampoco su valor nutritivo. Las berenjenas, los calabacines y espárragos no hay que escaldarlos.

Más detalles sobre este método podrán hallarse en cualquier libro o manual de cocina que trate los aspectos de la congelación de alimentos y en donde se describa el método del blanqueado.

Nota:

Procurar que los alimentos congelados que ya hubiera en el congelador no entren en contacto con los alimentos frescos que se desean congelar.

- Alimentos adecuados para la congelación:
Pan y bollería, pescado y marisco, carne, caza, aves, verduras y hortalizas, frutas, hierbas aromáticas, huevos sin cáscara, productos lácteos tales como queso, mantequilla y requesón, platos cocinados y restos de comidas como por ejemplo sopas, potajes, carnes o pescados cocinados, platos de patatas, gratinados y platos dulces.
- Alimentos que no deben congelarse:
Verduras que se consumen normalmente crudas, como por ejemplo lechugas o rabanitos, huevos en su cáscara, uvas, manzanas enteras, peras y melocotones, huevos duros, yogur, leche agria, nata fresca acidulada, crema fresca y mayonesa.

Envasado de los alimentos

Envasar los alimentos herméticamente para que no se deshidraten o pierdan su sabor.

1. Introducir los alimentos en la envoltura prevista a dicho efecto.
2. Eliminar todo el aire que pudiera haber en el envase.
3. Cerrarlo herméticamente.
4. Marcar los envases, indicando su contenido y la fecha de congelación.

Materiales indicados para el envasado de los alimentos:

Láminas de plástico, bolsitas y láminas de polietileno, papel de aluminio, cajitas y envases específicos para la congelación de alimentos.

Todos estos productos y materiales se pueden adquirir en la mayoría de los supermercados, grandes almacenes o en el comercio especializado.

Materiales no apropiados para el envasado de los alimentos:

Papel de empaquetar, papel apergaminado, celofán, bolsas de la basura y bolsitas de plástico de la compra ya usadas.

Materiales apropiados para el cierre de los envases:

Gomitas, clips de plástico, bramante, cinta adhesiva incongelable, etc.

Las bolsitas o láminas de plástico de polietileno se pueden termosellar con una soldadora de plásticos.

Calendario de congelación

El plazo de conservación varía en función del tipo del alimento congelado.

A una temperatura de 0 °F:

- El pescado, el embutido y los platos cocinados, así como el pan y la bollería:
hasta 6 meses
- El queso, las aves y la carne:
hasta 8 meses
- La fruta y verdura:
hasta 12 meses

Supercongelación

Para que los alimentos conserven su valor nutritivo, vitaminas y buen aspecto hay que congelar el centro lo más rápidamente posible.

Con objeto de evitar que se produzca un aumento indeseado de la temperatura interior del aparato al colocar alimentos frescos en el compartimento de congelación, deberá activarse la función de supercongelación varias horas antes de introducir los alimentos en el aparato.

Normalmente basta con 4–6 horas.

Al estar activada esta función, el compresor funciona continuamente, alcanzándose en el interior del compartimento de congelación unas temperaturas muy bajas (gran frío).

En caso de desear aprovechar la máxima capacidad de congelación del aparato deberá conectarse la función «Supercongelación» 24 horas antes de introducir los alimentos frescos en el aparato. Pequeñas cantidades de alimentos (hasta 4.4 lb o 2 kg) se pueden congelar sin necesidad de activar la supercongelación.

Nota:

Estando activada la función de supercongelación, el nivel sonoro del aparato puede aumentar.

Activar y desactivar

Pulsar la tecla „super freezer“.

En caso de estar activada la supercongelación, la tecla se ilumina.

La función de supercongelación se desactiva automáticamente pasadas aprox. 60 horas (dos días y medio).

Descongelar los alimentos

Según el tipo y la naturaleza de su uso, se puede elegir entre los siguientes procedimientos:

- Temperatura ambiente
- En el frigorífico
- En un horno eléctrico, con/sin calentador de aire
- Con horno microondas

⚠ ATENCION:

No volver a congelar los alimentos que se hayan descongelado o empezado a descongelarse. Sólo se podrán volver a congelar tras asarlos, freírlos, hervirlos o preparar con ellos platos cocinados.

En este caso no se deberá agotar al máximo el tiempo de caducidad de los productos.

Equipamiento

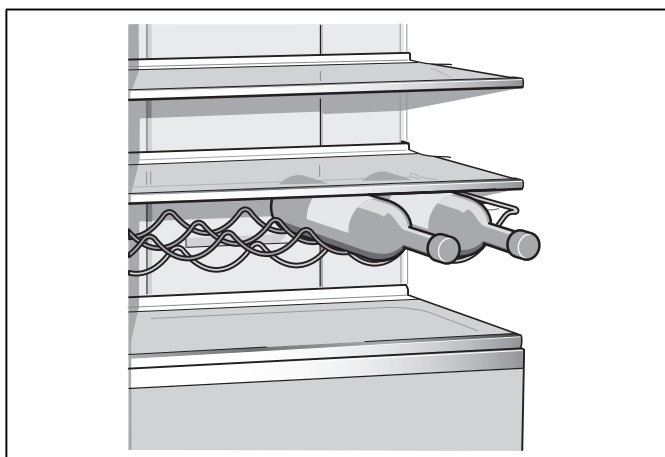
(no disponible en todos los modelos)

Estantes y recipientes

Las bandejas y, así como los estantes y compartimentos de las puertas, se pueden cambiar de posición y altura en función de las necesidades concretas de cada usuario. Desplazar la bandeja hacia adelante, abatirla hacia abajo y extraerla inclinándola por uno de sus laterales. Levantar los estantes y extraerlos.

Balda portabotellas

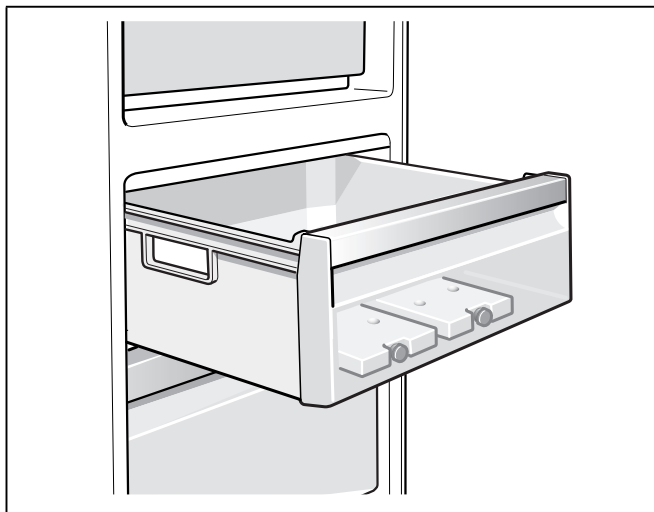
En la balda portabotellas se pueden colocar con toda seguridad las botellas. El soporte es variable.



Acumuladores de frío

Los acumuladores de frío contribuyen a retardar la descongelación de los productos congelados en caso de corte o avería del suministro de corriente. El retardo más efectivo se logra colocando los acumuladores de frío en el compartimento superior, directamente sobre los alimentos.

Los acumuladores de frío se pueden extraer de su emplazamiento y usarlos para mantener alimentos frescos por breve tiempo, por ejemplo en una bolsa isotérmica.



Filtros de carbón activo

Los filtros de carbón activo aseguran el intercambio del aire y la reducción de los olores en el interior del aparato. Véase el capítulo «Familiarizándose con la unidad».

Desconexión y paro del aparato

Desconectar el aparato

Accionar la tecla „On/Off“. El compresor se desconecta.

Paro del aparato

En caso de largos períodos de inactividad de la unidad:

1. Desconectar el aparato.
2. Extraer el enchufe del aparato de la toma de corriente o desactivar el fusible.
3. Limpiar el aparato.
4. Dejar la puerta abierta.

Limpeza del aparato

⚠ ATENCION:

- No utilizar detergentes y disolventes que contengan arena, cloro o ácidos.
- No emplear esponjas abrasivas.

En las superficies metálicas podría producirse corrosión.

- No lavar nunca las bandejas, compartimentos o estantes del aparato en el lavavajillas.

¡Las piezas pueden deformarse!

El agua empleada en la limpieza del aparato no debe penetrar

- en las rendijas de la zona frontal del fondo del compartimento de congelación,
- en los elementos de mando,
- ni entrar en contacto con la iluminación.

Modo de proceder:

1. Desconectar el aparato antes de proceder a su limpieza.
2. Extraer el enchufe del aparato de la toma de corriente o desconectar el fusible de la red.
3. Retirar los alimentos del aparato y colocarlos en un lugar frío. Colocar sobre los mismos los acumuladores de frío (en caso de estar incluidos en el equipo del aparato).
4. Esperar a que se haya descongelado la capa de escarcha.
5. Limpiar el aparato con un paño suave, agua templada y un poco de lavavajillas manual con pH neutro. Téngase presente que el agua empleada en la limpieza del aparato no debe entrar en contacto con la iluminación.

6. Limpiar la junta de la puerta sólo con agua clara, secándola bien a continuación.
7. Tras concluir la limpieza del aparato: Conectarlo a la red y ponerlo en funcionamiento.
8. Colocar los alimentos congelados en el compartimento de congelación.

Limpiar la superficie exterior

La superficie exterior del equipo está recubierta con una capa especial que rechaza la suciedad. Esto facilita la limpieza y el cuidado.

- Fregar a continuación la superficie exterior con un paño húmedo.

⚠ ATENCION:

A fin de no dañar la cobertura de la superficie exterior:

- no utilizar productos que dejen una película de protección, como p. ej. aceites para el cuidado de aceros inoxidable.
- No utilizar utensilios o agentes de limpieza abrasivos, como p. ej. esponjas duras, cepillos metálicos, objetos puntiagudos o productos de limpieza abrasivos.
- No utilizar agentes de limpieza o productos químicos agresivos, como sprays anticongelantes, limpiadores de hornos, agentes solventes, clorados o quita manchas.

Equipamiento

Los elementos variables del aparato se pueden extraer para su limpieza.

Retirar las bandejas de vidrio

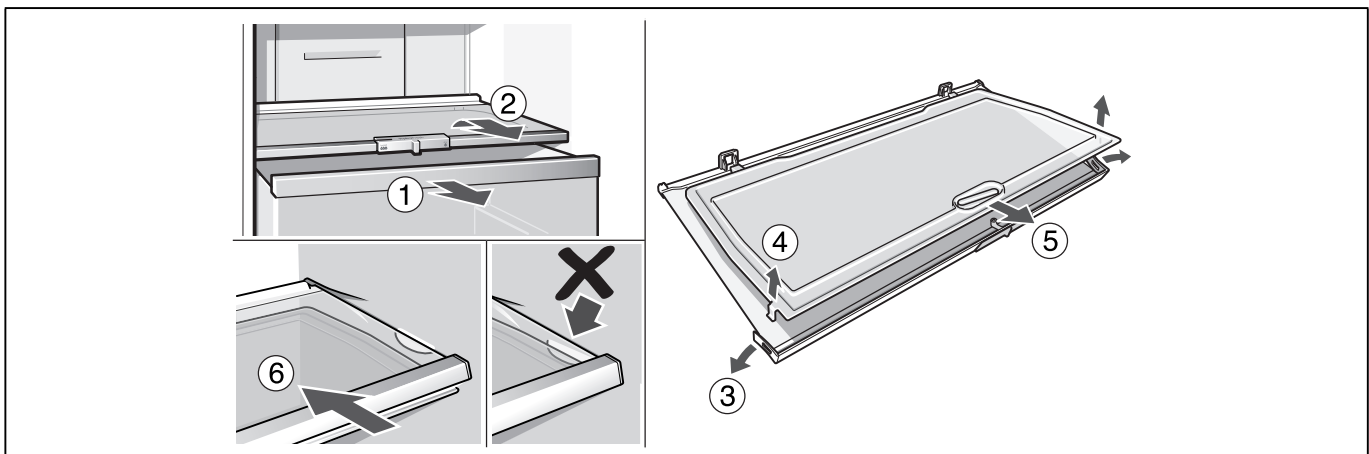
Desplazar las baldas de vidrio hacia el usuario y retirarlas del aparato.

Retirar la balda de vidrio situada encima del cajón para la verdura

La balda de vidrio se puede retirar y desarmar para su limpieza.

Nota:

Antes de poder retirar la balda de vidrio de su emplazamiento hay que extraer el cajón para la verdura del aparato.



Balda de vidrio del compartimento fresco

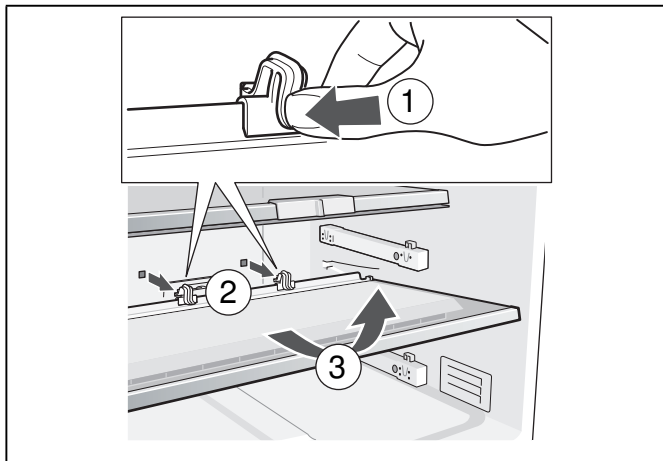
(no disponible en todos los modelos)

Nota:

No limpiar la balda del compartimento fresco bajo del chorro de agua del grifo.

Antes de retirar la balda de vidrio deberán extraerse el cajón de la verdura y el compartimento fresco.

Presionar a tal efecto simultáneamente los soportes, elevar la balda y retirarla hacia adelante.



Cajones en el compartimento frigorífico

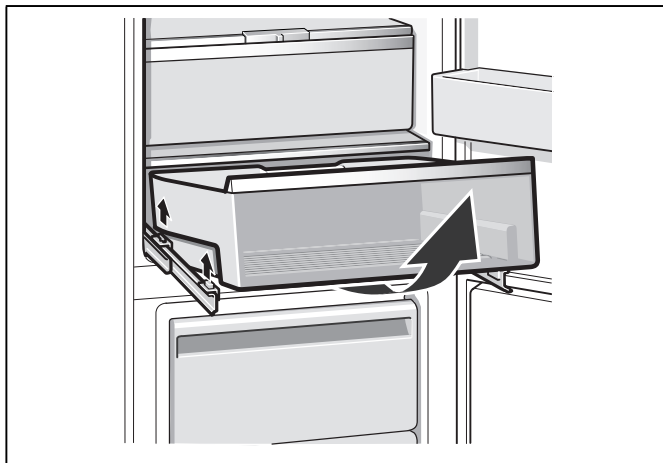
Extraer el cajón completamente hacia el usuario, elevarlo para soltarlo de su enclavamiento y retirarlo del aparato.

Para colocar el cajón en su sitio, montarlo sobre los carriles telescópicos e introducirlo en el aparato.

Presionar el cajón hacia abajo para hacerlo encajar.

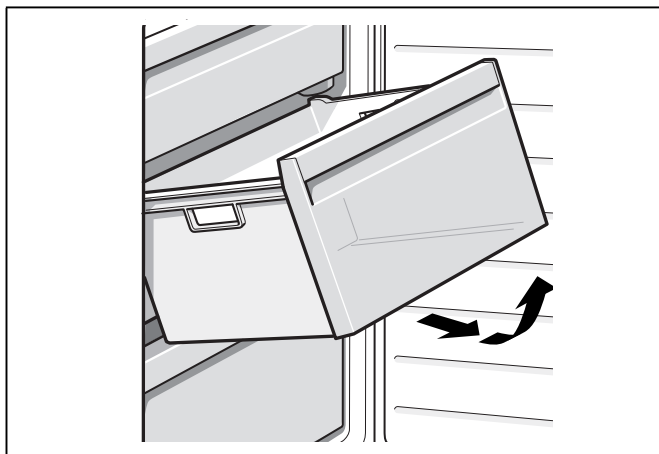
Nota:

Antes de extraer el cajón de la verdura del aparato hay que retirar previamente la balda de vidrio situado por encima de éste.



Retirar el cajón de congelación

Desplazar el cajón de congelación hacia el cuerpo del usuario hasta el tope, levantarlo por la parte frontal y retirarlo del aparato.



Iluminación interior (LED)

Su aparato está equipado con una iluminación por diodos luminosos exenta de mantenimiento.

Las reparaciones de este tipo de iluminación sólo podrán ser realizadas por personal técnico del Servicio de Asistencia Técnica Oficial de la marca o autorizado oficialmente por el fabricante.

Consejos prácticos para ahorrar energía eléctrica

- ¡Emplazar el aparato en una habitación seca y fresca, dotada de una buena ventilación! Recuerde además que el aparato no debe instalarse de forma que reciba directamente los rayos del sol, ni encontrarse tampoco próximo a focos activos de calor tales como cocinas, calefacciones, etc. No obstante, si esto último fuera inevitable, se habrá de proteger la unidad con un panel aislante adecuado.
- Dejar enfriar los alimentos o bebidas calientes hasta temperaturas ambientes antes de introducirlos en el aparato.
- Descongelar los productos congelados en el interior del compartimento frigorífico. De esta manera se puede aprovechar el frío desprendido por los mismos para la refrigeración de los restantes alimentos guardados.
- Mantenga abiertas las puertas del aparato el menos tiempo posible a fin de evitar al máximo las pérdidas de frío.
- Limpiar de vez en cuando la parte posterior del aparato con objeto de evitar que la acumulación de polvo pueda dar lugar a un aumento del consumo de corriente.
- En caso necesario:
Montar los elementos distanciadores respecto a la pared para alcanzar la absorción de energía indicada (véanse las instrucciones de montaje). Una distancia reducida respecto a la pared no influye negativamente en el funcionamiento del aparato. Aunque puede ocurrir que la absorción de energía aumente ligeramente.
- La disposición de los elementos y accesorios del aparato no influye en la absorción de energía.

Ruidos de funcionamiento del aparato

Ruidos de funcionamiento normales del aparato

Ruidos en forma de murmullos sordos

Los motores están trabajando (compresores, ventilador).

Ruidos en forma de gorgoteo

Se producen al penetrar el líquido refrigerante en los tubos delgados una vez que ha entrado en funcionamiento el compresor.

Ruidos en forma de clic

El motor, los interruptores o las electroválvulas se conectan/desconectan.

Se producen ruidos en forma de chasquidos

Se está realizando el desescarchado automático.

Ruidos que se pueden evitar fácilmente

El aparato está colocado en posición desnivelada

Nivelar el aparato con ayuda de un nivel de burbuja. Calzarlo en caso necesario.

El aparato entra en contacto con muebles u otros objetos

Retirar el aparato de los muebles u otros aparatos con los que esté en contacto.

Los cajones o baldas oscilan o están agarrotados

Verificar los elementos desmontables y, en caso necesario, colocarlos correctamente.

Las botellas o recipientes entran en contacto mutuo

Separar algo las botellas y los recipientes.

Pequeñas averías de fácil solución

Antes de avisar al Servicio de Asistencia Técnica:

Compruebe si la avería o fallo que usted ha constatado se encuentra recogida en los siguientes consejos y advertencias.

Tenga presente que los gastos del técnico no quedan cubiertos por las prestaciones del servicio de garantía.

Avería	Posible causa	Forma de subsanarla
La temperatura difiere fuertemente del valor ajustado.		En algunos casos es posible que sea suficiente desconectar el aparato durante 5 minutos. Si la temperatura es demasiado elevada (calor), verifique al cabo de unas pocas horas si se ha producido una aproximación a la temperatura ajustada. Si la temperatura es demasiado baja (frío), verifique que la temperatura nuevamente al día siguiente.
La iluminación no funciona.	El interruptor de la luz está agarrotado. La iluminación está defectuosa.	Verificar la libre movilidad del interruptor. (Véase el capítulo «Iluminación interior».)
Intensidad de iluminación reducida de los elementos de mando.	En caso de permanecer el aparato durante un cierto tiempo sin usar, la pantalla del cuadro de mandos conmuta al modo de ahorro energético.	Tan pronto como se hace uso del aparato, abriendo por ejemplo una puerta, la pantalla de visualización del cuadro de mandos recupera su iluminación normal.
No se ilumina ninguna pantalla ni ninguno de los pilotos de aviso.	Se ha producido un corte del suministro de corriente eléctrica; el fusible se ha fundido; el enchufe del aparato no está asentado correctamente en la toma de corriente.	Introducir el enchufe del aparato en la toma de corriente. Verificar si hay que corriente; verificar los fusibles.
La temperatura en el interior del compartimento de congelación es demasiado elevada (calor).	La puerta del aparato se ha abierto con demasiada frecuencia. Las aberturas de ventilación y aireación están obstruidas. Se ha introducido una gran cantidad de alimentos frescos.	No abrir la puerta del aparato innecesariamente. Eliminar la causa de la obstrucción. No superar la máxima capacidad de congelación de alimentos frescos del aparato.

Avería	Posible causa	Forma de subsanarla
<p>La puerta del compartimento de congelación ha permanecido abierta durante un tiempo prolongado; no se alcanza la temperatura ajustada.</p>	<p>El evaporador (generador de frío) del sistema No Frost presenta tal acumulación de hielo o escarcha, que no es capaz de realizar automáticamente el ciclo de desescarchado.</p>	<p>Para desescarchar el evaporador, retirar primero los alimentos de los cajones y gavetas de congelación y guardarlos, bien aislados, en un lugar lo más frío posible.</p> <p>Desconectar el aparato y retirarlo de la pared. Dejar la puerta abierta.</p> <p>Al cabo de 20 minutos comienza a correr el agua de descongelación hasta la bandeja de evaporación situada en la parte posterior del aparato.</p>
<p>Con objeto de evitar en este caso que el agua de descongelación pueda rebosar en la bandeja de evacuación, recoger el agua de descongelación con una esponja.</p> <p>Cuando deje de acceder agua de descongelación a la bandeja de evaporación, el evaporador está desescarchado. Limpiar el interior del aparato. Volver a conectar el aparato.</p>		

Servicio al Cliente

Aconsejamos encargar los trabajos necesarios para cambiar el sentido de apertura de la puerta al Servicio de Asistencia Técnica Oficial de la marca. Los costes para cambiar el sentido de apertura de la puerta los puede consultar en el Servicio de Asistencia Oficial de la marca de su zona o localidad.

Antes de llamar el servicio a clientes, rogamos consultar el apartado «Eliminación de pequeñas perturbaciones».

Después de la consulta correspondiente en el apartado «Eliminación de pequeñas perturbaciones», puede solicitarse ayuda adicional mediante un llamado a Bosch en el Bosch Customer Interaction Center, 1-800-944-2904 (libre de costes), desde cualquier punto de los E.E.U.U.

En el Canadá, rogamos consultar con el servicio a clientes Bosch o bien al número 1-800-944-2904.

Anote las siguientes informaciones sobre su aparato con objeto de poderle atender mejor en caso de requerir nuestra ayuda o al avisar Servicio de Asistencia Técnica Oficial de la marca.

Nombre del comerciante:

Dirección:

Número de teléfono:

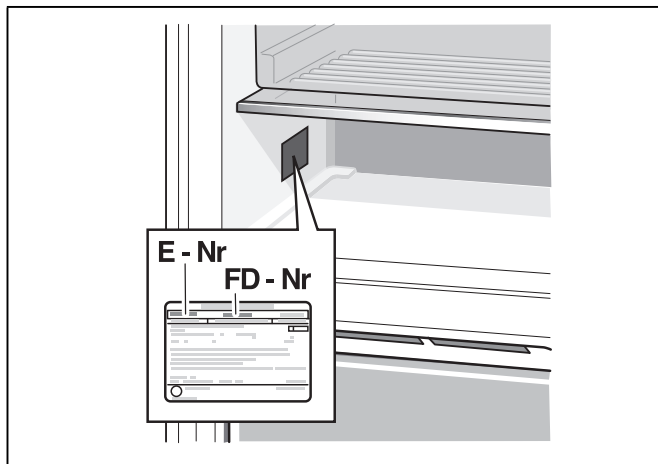
Fecha de compra:

Número del modelo:

Número del fabricación (FD):

Número de serie

Tipo



1901 Main Street, Suite 600, Irvine, CA, 92614 • 1-800-944-2904
www.boschappliances.com • © BSH Home Appliances Corporation 2014



9000975574

en-us, es-mx, fr-ca
(9406)