

30" Electric Freestanding Range

500 Series DLX – Stainless Steel HES5L53U



HES5L53U
Stainless Steel

Ranges deliver power and functionality that help them perform as good as they look.

Features & Benefits

Convection saves time and energy: a fan provides even heat distribution throughout the cavity for superior cooking results.

PowerBoil provides quick heating with powerful 3,000 W element.

Extra large 12 inch element offers the capability to use multiple pan sizes.

Dual element offers the capability to use multiple pan sizes.

100 W warming zone is perfect for keeping food ready to serve or pre-warming dishes.

General Properties

Cooking modes	Convection Bake, Bake and Broil
Cleaning type	Self Clean
Knob material	Plastic
Drawer type	Storage drawer

Oven Performance

Bake element watts (W)	3,500 W
Broil element watts (W)	3,600 W

Element Performance

Total number of cooktop elements	5
Power of front left element watts (W)	3,000 W
Power of back left element watts (W)	1,200 W
Power of center element watts (W)	100 W
Power of back right element watts (W)	1,200 W
Power of front right element watts (W)	2,700 W

Element Size

Dimension of front left heating element	6"/9"
Dimension of back left heating element	6"
Dimension of center heating element	6"
Dimension of back right heating element	6"
Dimension of front right heating element	9"/12"



Technical Details

Watts (W)	9,500 W
Circuit breaker (A)	40 A
Volts (V)	240/208 V
Frequency (Hz)	60 Hz
Plug type	No plug
Cord length	N/A
Energy source	Electric

Dimensions & Weight

Overall appliance dimensions (HxWxD)(in.)	47 3/4" x 29 7/8" x 25 3/4"
Required cutout size (HxWxD) (in.)	30" width freestanding
Adjustable range height (in.)	3/4"
Net weight (lbs)	159

Accessories—Included

Included	Oven racks x 2
----------	----------------

For help and assistance with Bosch accessories please visit: www.bosch-eshop.com/eshop/bosch/us or call 1-800-944-2904 Mon-Fri 5am to 6pm PST Sat 6am to 3pm PST

Notes: All height, width and depth dimensions are shown in inches. Please refer to installation instructions prior to making cutout. BSH reserves the absolute and unrestricted right to change product materials and specifications, at any time, without notice. Consult the product's installation instructions for final dimensional data and other details. Applicable product warranty can be found in accompanying product literature or you may contact your account manager for further details.

Warranties: Bosch warrants that the Product is free from defects in materials and workmanship for a period of three hundred and sixty-five (365) days from the date of purchase. The foregoing timeline begins to run upon the date of purchase, and shall not be stalled, tolled, extended, or suspended, for any reason whatsoever. This Product is also warranted to be free from cosmetic defects in material and workmanship (such as scratches of stainless steel, paint/porcelain blemishes, chip, dents, or other damage to the finish of the Product, for a period of thirty (30) days from the date of purchase or closing date for new construction. This cosmetic warranty excludes slight color variations due to inherent differences in painted and porcelain parts, as well as differences caused by kitchen lighting, product location, or other similar factors. This cosmetic warranty specifically excludes any display, floor, "As Is", or "B" stock appliances.

For more information on our entire line of products, go to www.bosch-home.com/us or call 1-800-944-2904

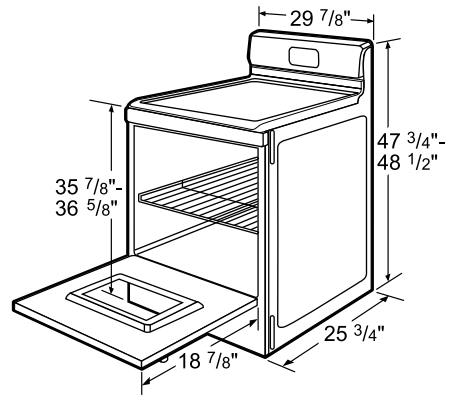
© BSH Home Appliances Corporation. All rights reserved. Bosch is a registered trademark of Robert Bosch GmbH.

30" Electric Freestanding Range

500 Series DLX – Stainless Steel HES5L53U



Installation Details



Dimensions in inches

For help and assistance with Bosch accessories please visit: www.bosch-eshop.com/eshop/bosch/us or call 1-800-944-2904 Mon-Fri 5am to 6pm PST Sat 6am to 3pm PST

Notes: All height, width and depth dimensions are shown in inches. Please refer to installation instructions prior to making cutout. BSH reserves the absolute and unrestricted right to change product materials and specifications, at any time, without notice. Consult the product's installation instructions for final dimensional data and other details. Applicable product warranty can be found in accompanying product literature or you may contact your account manager for further details.

Warranties: Bosch warrants that the Product is free from defects in materials and workmanship for a period of three hundred and sixty-five (365) days from the date of purchase. The foregoing timeline begins to run upon the date of purchase, and shall not be stalled, tolled, extended, or suspended, for any reason whatsoever. This Product is also warranted to be free from cosmetic defects in material and workmanship (such as scratches of stainless steel, paint/porcelain blemishes, chip, dents, or other damage to the finish of the Product, for a period of thirty (30) days from the date of purchase or closing date for new construction. This cosmetic warranty excludes slight color variations due to inherent differences in painted and porcelain parts, as well as differences caused by kitchen lighting, product location, or other similar factors. This cosmetic warranty specifically excludes any display, floor, "As Is", or "B" stock appliances.

For more information on our entire line of products, go to www.bosch-home.com/us or call 1-800-944-2904

© BSH Home Appliances Corporation. All rights reserved. Bosch is a registered trademark of Robert Bosch GmbH.