

TANDEMBOX



TANDEMBOX

Premium metal drawer system

blum.com

Perfecting motion 



Unmatched function and design

The TANDEMBOX program opens a new world of design possibilities

TANDEMBOX combines superior quality of motion and unsurpassed running action with an exciting new design. The drawer side profile, either with a color coordinated BOXCAP, a unique design element or gallery rails creates a well-balanced and stylish deep drawer. From standard drawers to special applications (such as SPACE CORNER or the sink drawer) TANDEMBOX offers the ultimate versatility in premium metal drawer side design.



Contents

- 4 Design possibilities
- 6 TANDEMBOX adjustment made easy
- 8 TANDEMBOX program overview
- 10 Using the TANDEMBOX catalog
- 12 Standard applications
- 44 Interior roll-out applications
- 64 SPACE CORNER applications
- 76 Sink drawer applications
- 80 Waste/recycle set
- 82 Assembly aids
- 88 Accessories
- 92 ORGA-LINE, TIP-ON and SERVO-DRIVE
- 93 Testing standards
- 96 Part number index

Exciting and creative solutions for drawers

TANDEMBOX brings endless possibilities to inspire and stimulate creativity. Combining premium metal drawer sides in gray and stainless steel finishes with drawer side design elements from a wide spectrum of materials, TANDEMBOX offers numerous solutions for innovative deep drawer design.

For continuous design

Use BOXCAP in the same material and finish as the drawer side to create a continuous design. This style is all about the simple elegance and a uniform look.

For drawers that use a gallery rail a metal design element creates the seamless appearance in gray.

Design element – for individual tastes

Using a design element in combination with the BOXCOVER or gallery rail, designers have endless options and can create personal collections, set new trends or even customize a deep drawer to meet the individual desires of their customers.



BOXCAP in stainless steel



Metal design element with gallery rail in gray



BOXCOVER with wood design element in stainless steel



Wood design element with gallery rail in gray



Endless design options

Blum offers a frosted glass design element, but the selection of materials is endless. Here is just a taste of the possibilities:

- Wood
- Marble
- Glass
- Plexiglass
- Leather
- Fabric

Elegant drawer side finishes

The drawer sides are available in two finishes, which include color coordinated cover caps. Gray (gray cap included) and stainless steel (silver cap included).



BLUMOTION

All TANDEMBOX profiles have BLUMOTION soft closing creating an unsurpassed opening and closing experience. BLUMOTION adapts to different weights and closing forces to give a smooth and silent close every time. Whether it is a small top drawer or a wide deep drawer, BLUMOTION guarantees the quiet close you have come to expect from Blum.



SERVO-DRIVE

SERVO-DRIVE is an opening feature for TANDEMBOX. Drawers open automatically with just a touch of the drawer front or with a light pull of the handle. This unique feature is based on an electrical drive unit that, once activated, opens the drawer for you.

With SERVO-DRIVE, the drawer is not connected to the drive unit. This enables the drawer to be stopped at any position, providing you full control. SERVO-DRIVE can be easily retrofitted with no modifications to the drawer system required when upgrading.



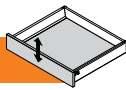
TANDEMBOX adjustment made easy

Easy adjustment with just a few turns

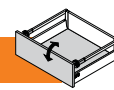
Just one of the many benefits of the TANDEMBOX system is the fully integrated three-dimensional adjustment mechanism. Height, side and tilt adjustments can be made easily through the opening in the drawer side beneath the cover cap. For drawers with gallery rails, tilt adjustment can be achieved by an adjustment at the end of the rail. Additionally, the drawer front can also be removed quickly with just a turn.

Adjustment for TANDEMBOX – N, M and Gallery drawers

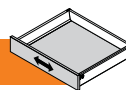
Height adjustment



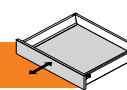
Tilt adjustment



Side adjustment



Front removal





TANDEMBOX planning tool

Easy planning and ordering

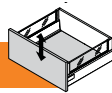
Blum offers many online tools to help you with your kitchen planning and ordering. Planning tools allow you to select components based on your cabinet construction and size. Additional components can be selected as needed. Once complete, they provide an easy-to-follow order form.

Planning tools are easily accessible on our website at blum.com/planning

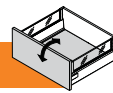


Adjustment for TANDEMBOX Deep drawer – BOXCAP and Design element

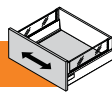
Height adjustment



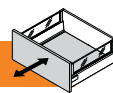
Tilt adjustment



Side adjustment

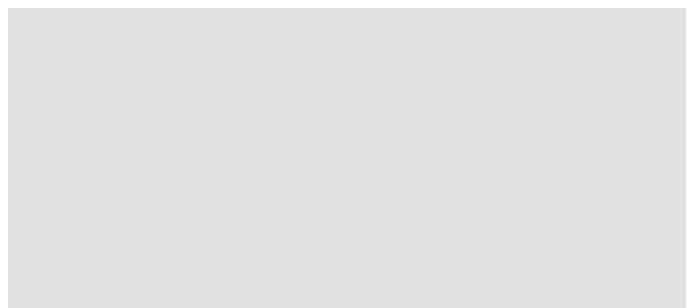
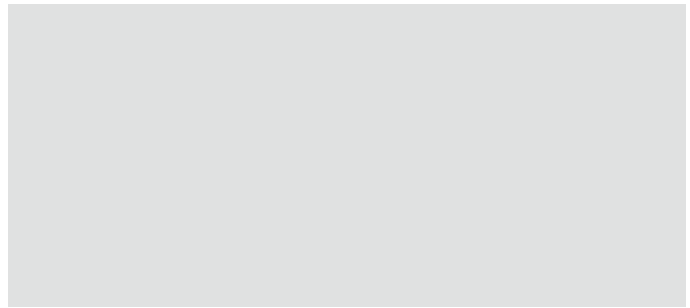


Front removal



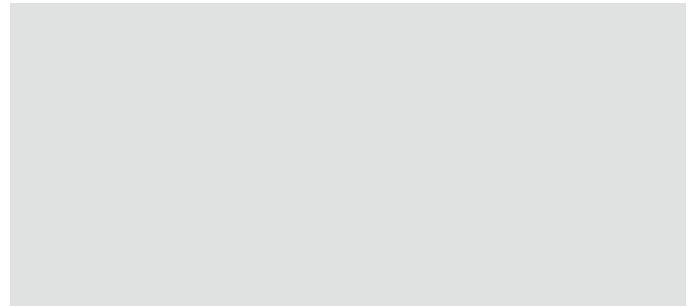
TANDEMBOX program overview

Standard applications





Standard applications



Special applications



Assembly aids page 82 - 87

Accessories page 88 - 89

Index page 96 - 97


Using the TANDEMBOX catalog

Application page

Provides details of the application and an overview of the parts that make up the drawer.

TANDEMBOX D height drawer with double gallery

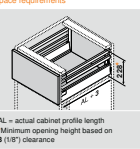
Application



Description

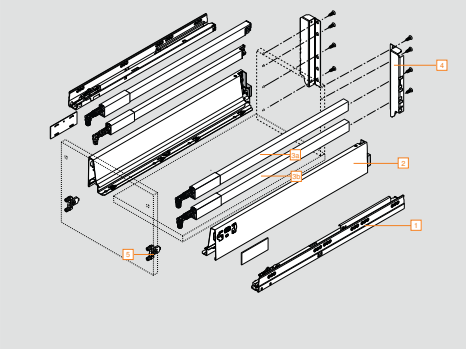
- Full extension drawer system with BLUMOTION
- TANDEM smooth running action
- Three-dimensional drawer front adjustment
- Dynamic load capacities of 75 lb and 150 lb
- Drawer side height 207 (8-1/8")

Space requirements



AL = actual cabinet profile length
Minimum opening height based on 3 (1/8") clearance

Components



NOTE: Parts identified on right page

Assembly aids page 82 - 87 Accessories page 88 - 89 Index page 96 - 97

28 | © 2013 Blum, Inc. Subject to technical modifications without notice. blum

Required parts

Contains all necessary components with part numbers listed to order the drawer.

Required parts

Cabinet and drawer profile sets


Set includes:

- Left and right profiles
- Drawer profile includes color coordinated cover caps


nominal length	actual cabinet profile length	75 lb		150 lb	
		gray	stainless steel	gray	stainless steel
16"	400 (15-3/4")	558.4001B	358M4002A	558.4001B	358M4002A
18"	450 (17-11/16")	558.4501B	358M4502A	558.4501B	358M4502A
20"	500 (19-11/16")	558.5001B	358M5002A	558.5001B	358M5002A
22"	550 (21-5/8")	558.5501B	358M5502A	558.5501B	358M5502A

Installation wood screw 702N 702N
Installation system screw 551.1300.HG 551.1300.HG

1 cabinet profile



2 drawer profile



Top gallery rail

Set includes:

- Left and right gallery rails

actual cabinet profile length	gray		stainless steel	
	part no.	part no.	part no.	part no.
400 (15-3/4")	ZRG.337R9IC	ZRG.337R9IC	ZRG.337R9IE	ZRG.337R9IE
450 (17-11/16")	ZRG.387R9IC	ZRG.387R9IC	ZRG.387R9IE	ZRG.387R9IE
500 (19-11/16")	ZRG.437R9IC	ZRG.437R9IC	ZRG.437R9IE	ZRG.437R9IE
550 (21-5/8")	ZRG.487R9IC	ZRG.487R9IC	ZRG.487R9IE	ZRG.487R9IE

Center gallery rail

Set includes:

- Left and right gallery rails

actual cabinet profile length	gray		stainless steel	
	part no.	part no.	part no.	part no.
400 (15-3/4")	ZRG.337R9IC	ZRG.337R9IC	ZRG.337R9IE	ZRG.337R9IE
450 (17-11/16")	ZRG.387R9IC	ZRG.387R9IC	ZRG.387R9IE	ZRG.387R9IE
500 (19-11/16")	ZRG.437R9IC	ZRG.437R9IC	ZRG.437R9IE	ZRG.437R9IE
550 (21-5/8")	ZRG.487R9IC	ZRG.487R9IC	ZRG.487R9IE	ZRG.487R9IE

Rear fixing bracket set


Set includes:

- Left and right bracket
- Colors: gray and nickel

Front fixing bracket

Set includes:

- Two required per drawer
- For use with N and M height drawer profiles only



Part no. INSERTA 25F.3502.02
Screw-on* 25F.3502.02

*Use of #6 x 3/4" minimum brass head screw is recommended.

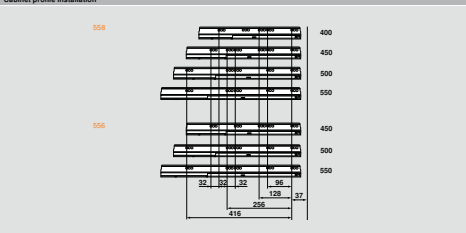
blum Dimensions in millimeters (inch equivalents as noted) © 2013 Blum, Inc. 29

Installation dimensions

Cabinet profile installation and cutting dimensions for the bottom and back of the drawer.

TANDEMBOX D height drawer with double gallery

Cabinet profile installation

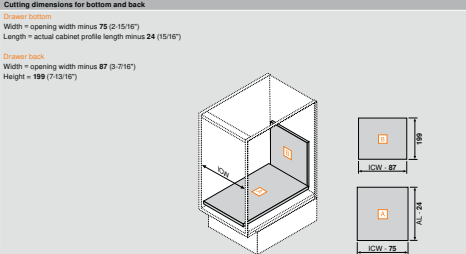


NOTE: Recommended screw locations in orange (system screws or #7 wood screws)

Cutting dimensions for bottom and back

Drawer bottom:
Width = opening width minus 75 (2-15/16")
Length = actual cabinet profile length minus 24 (15/16")

Drawer back:
Width = opening width minus 87 (3-7/16")
Height = 199 (7-13/16")



AL = actual cabinet profile length
ICW = opening width

NOTE: Use 16 (5/8") material for bottom and back.

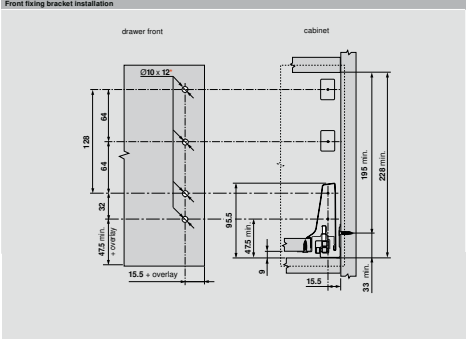
30 | © 2013 Blum, Inc. Subject to technical modifications without notice. blum

Specifications

Front and rear fixing bracket installation specifications.

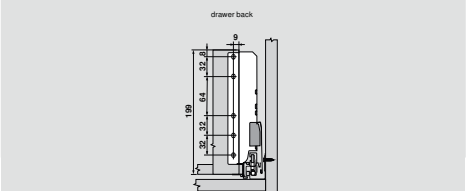
Specifications

Front fixing bracket installation



*Pre-boring dimensions for INSERTA and EXPANDO only, for screw-on pre-bore Ø2 x 2.5

Rear fixing bracket installation



blum Dimensions in millimeters (inch equivalents as noted) © 2013 Blum, Inc. 31

Drawer assembly



Step 1

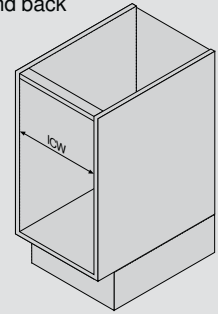
Measure inside cabinet width

Use opening width (ICW) to calculate the drawer bottom and back dimensions. Formulas are found on the specification page of each application.

M height example:

Drawer bottom: Width = opening width minus **75** (2-15/16")
Length = actual cabinet profile length minus **24** (15/16")
Drawer back: Width = opening width minus **87** (3-7/16")
Height = **84** (3-5/16")

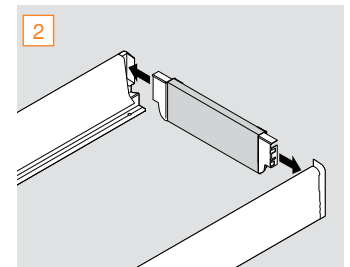
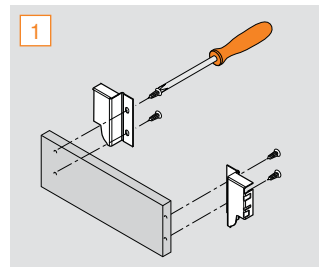
Use **16** (5/8") material for drawer bottom and back



Step 2

Attach drawer back

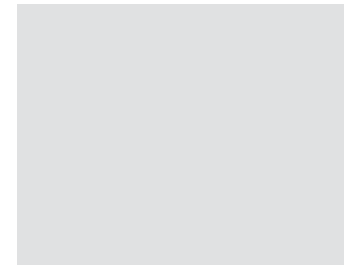
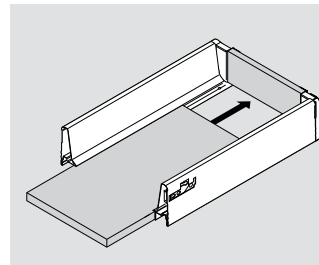
Rear fixing brackets are attached with #6 x 1/2" truss head screws (612TH). The drawer back, with rear fixing brackets attached, snaps into the rear of both drawer profiles.



Step 3

Slide drawer bottom into drawer sides

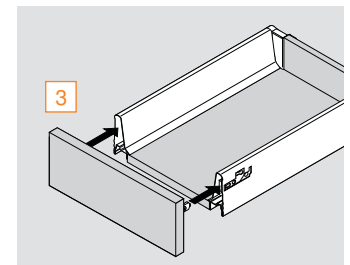
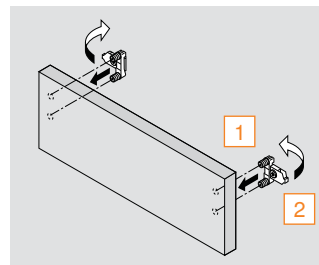
The drawer bottom slides into the drawer profiles.



Step 4

Attach drawer front

Follow the installation drawing for locating hole positions for front fixing brackets (and optional gallery rods if used) and pre-bore the necessary INSERTA Ø10 x 12 holes (screw-on versions also available). Attach front fixing brackets and snap drawer front onto drawer.

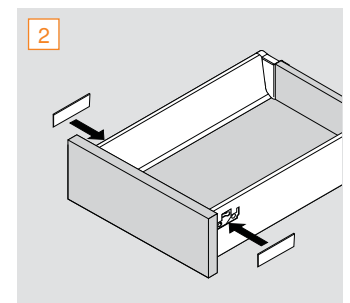
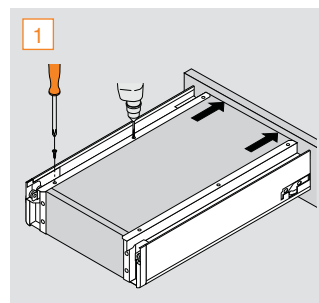


Step 5

Attach drawer bottom with screws

Push the drawer bottom flush with the front of the drawer. Pre-bore and attach with wood screws (612TH).

Attach cover caps to drawer side.



TANDEMBOX N height drawer

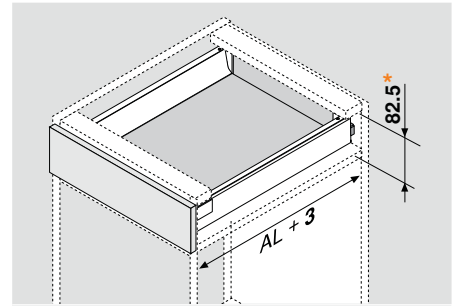
Application



Description

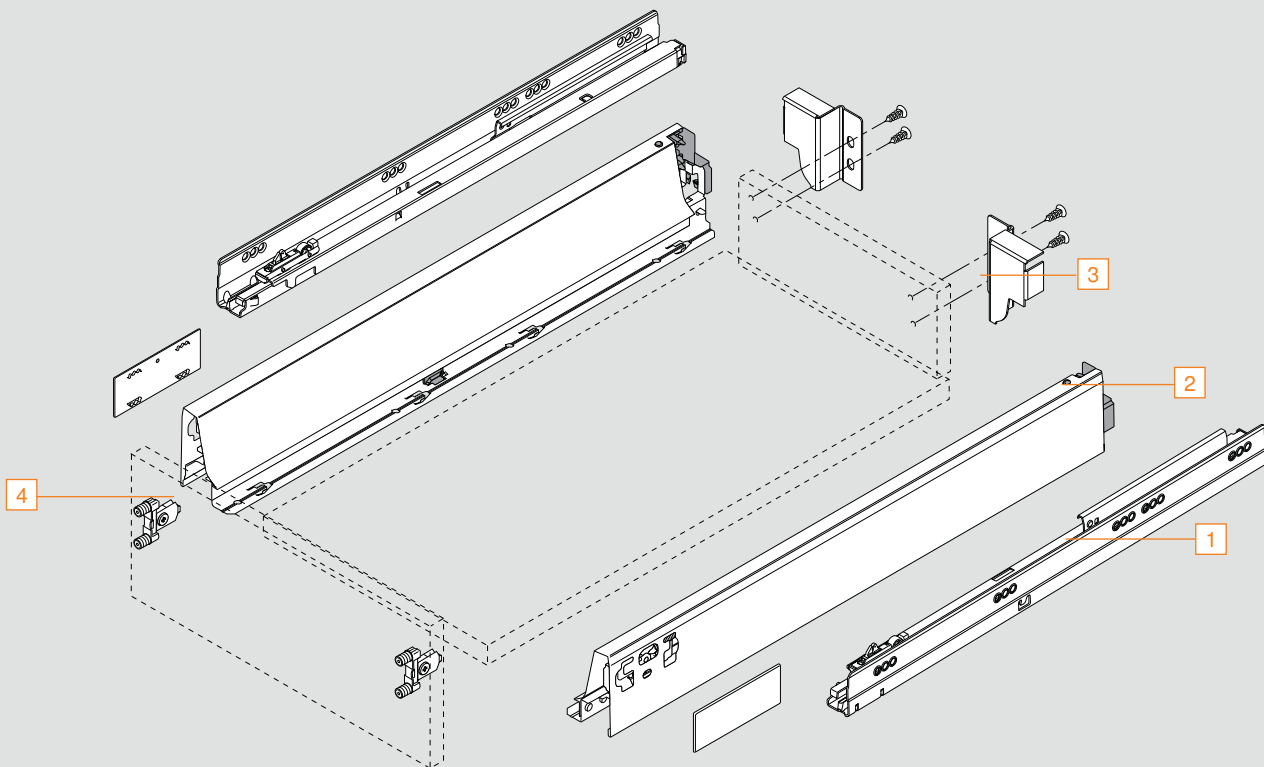
- Full extension drawer system with BLUMOTION
- TANDEM smooth running mechanism
- Two-dimensional drawer front adjustment
- Dynamic load capacity of 75 lb
- Drawer side height 69 (2-11/16")

Space requirements



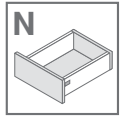
AL = actual cabinet profile length
*Minimum opening height based on
3 (1/8") clearance

Components



NOTE: Parts identified on right page

Required parts

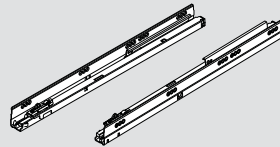


Cabinet and drawer profile sets

Sets include:

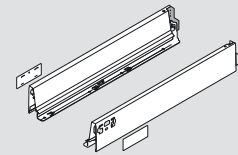
- Left and right profiles
- Drawer profile includes color coordinated cover caps

1 cabinet profile



75 lb

2 drawer profile



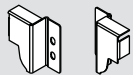
gray

stainless steel

nominal length	actual cabinet profile length			
16"	400 (15-3/4")	558.4001B	358N4002SA	358N4002IA
18"	450 (17-11/16")	558.4501B	358N4502SA	358N4502IA
20"	500 (19-11/16")	558.5001B	358N5002SA	358N5002IA
22"	550 (21-5/8")	558.5501B	358N5502SA	358N5502IA
Installation wood screw		707N	612TH	612TH
Installation system screw		661.1300.HG		

Rear fixing bracket set

3



Set includes:

- Left and right bracket
- Colors: gray or nickel

Part no.

Rear fixing bracket set	Z30N000S.04
Installation screw	612TH

Front fixing bracket

4

INSERTA



Screw-on



- Two required per drawer
- For use with N and M height drawer profiles only

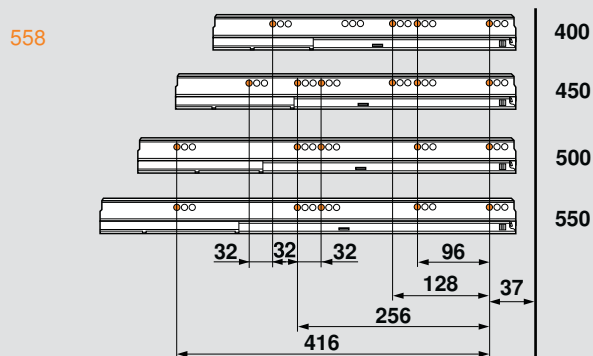
Part no.

INSERTA	ZSF.3902
Screw-on*	ZSF.3502.02

*Use of #6 x 3/4" minimum truss head screw is recommended

TANDEMBOX N height drawer

Cabinet profile installation



NOTE: Recommended screw locations in orange (system screws or #7 wood screws)

Cutting dimensions for bottom and back

Drawer bottom

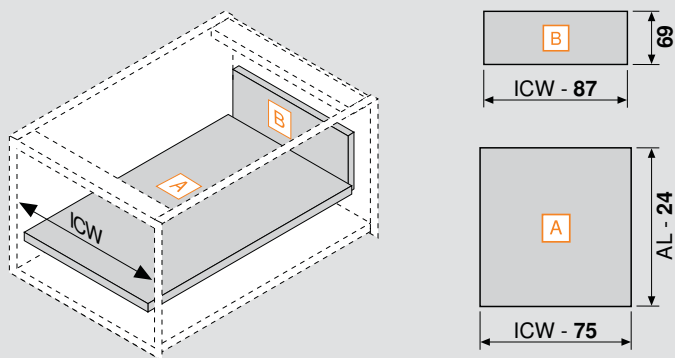
Width = opening width minus **75** (2-15/16")

Length = actual cabinet profile length minus **24** (15/16")

Drawer back

Width = opening width minus **87** (3-7/16")

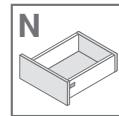
Height = **69** (2-11/16")



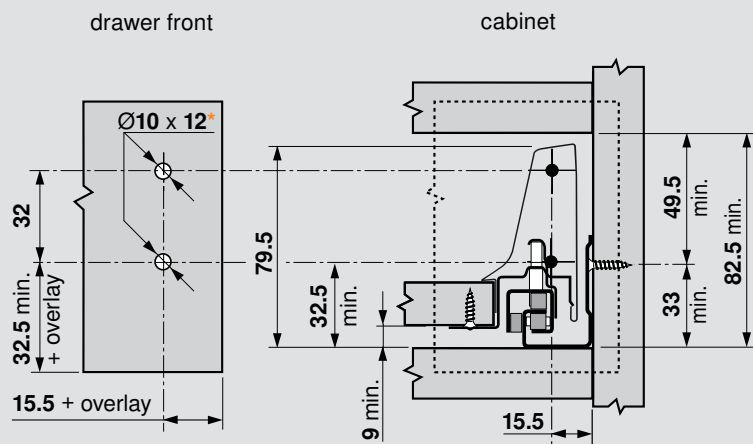
AL = actual cabinet profile length

ICW = opening width

NOTE: Use **16** (5/8") material for bottom and back



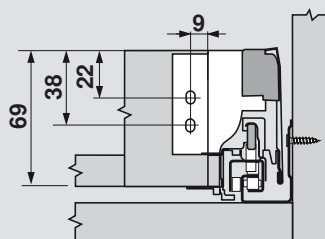
Front fixing bracket installation



*Pre-boring dimensions for INSERTA and EXPANDO only, for screw-on pre-bore $\text{Ø}2 \times 2.5$

Rear fixing bracket installation

drawer back



TANDEMBOX M height drawer

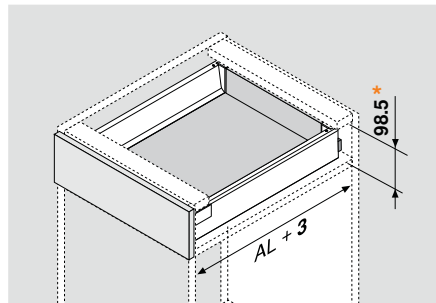
Application



Description

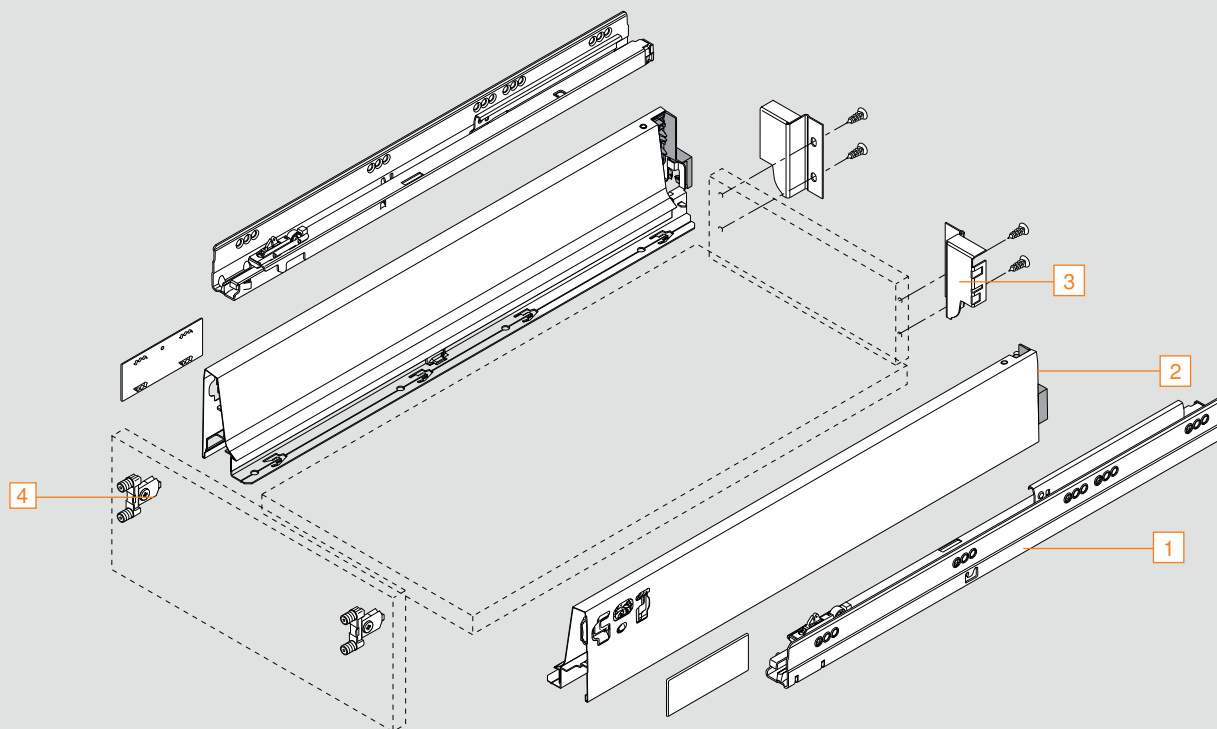
- Full extension drawer system with BLUMOTION
- TANDEM smooth running mechanism
- Two-dimensional drawer front adjustment
- Dynamic load capacity of 75 lb and 150 lb
- Drawer side height 84 (3-5/16")

Space requirements



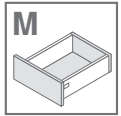
AL = actual cabinet profile length
*Minimum opening height based on 3 (1/8") clearance

Components



NOTE: Parts identified on right page

Required parts

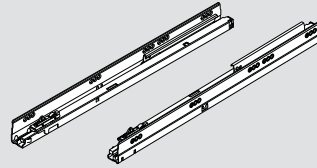


Cabinet and drawer profile sets

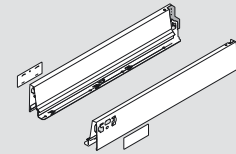
Sets include:

- Left and right profiles
- Drawer profile includes color coordinated cover caps

1 cabinet profile



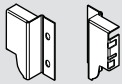
2 drawer profile



nominal length	actual cabinet profile length	75 lb		150 lb		gray		stainless steel	
		Part no.	Part no.	Part no.	Part no.	Part no.	Part no.		
11"	270 (10-5/8")	558.2701B				358M2702SA		358M2702IA	
14"	350 (13-3/4")	558.3501B				358M3502SA		358M3502IA	
16"	400 (15-3/4")	558.4001B				358M4002SA		358M4002IA	
18"	450 (17-11/16")	558.4501B		556.4501B		358M4502SA		358M4502IA	
20"	500 (19-11/16")	558.5001B		556.5001B		358M5002SA		358M5002IA	
22"	550 (21-5/8")	558.5501B		556.5501B		358M5502SA		358M5502IA	
24"	600 (23-5/8")			556.6001B		359M6002SA		359M6002IA	
26"	650 (25-9/16")			556.6501B		359M6502SA		359M6502IA	
Installation wood screw			707N		707N		612TH		612TH
Installation system screw			661.1300.HG		661.1300.HG				

Rear fixing bracket set

3



Set includes:

- Left and right bracket
- Colors: gray or nickel

Part no.

Rear fixing bracket set	Z30M000S.04
Installation screw	612TH

Front fixing bracket

4

INSERTA



Screw-on



- Two required per drawer
- For use with N and M height drawer profiles only

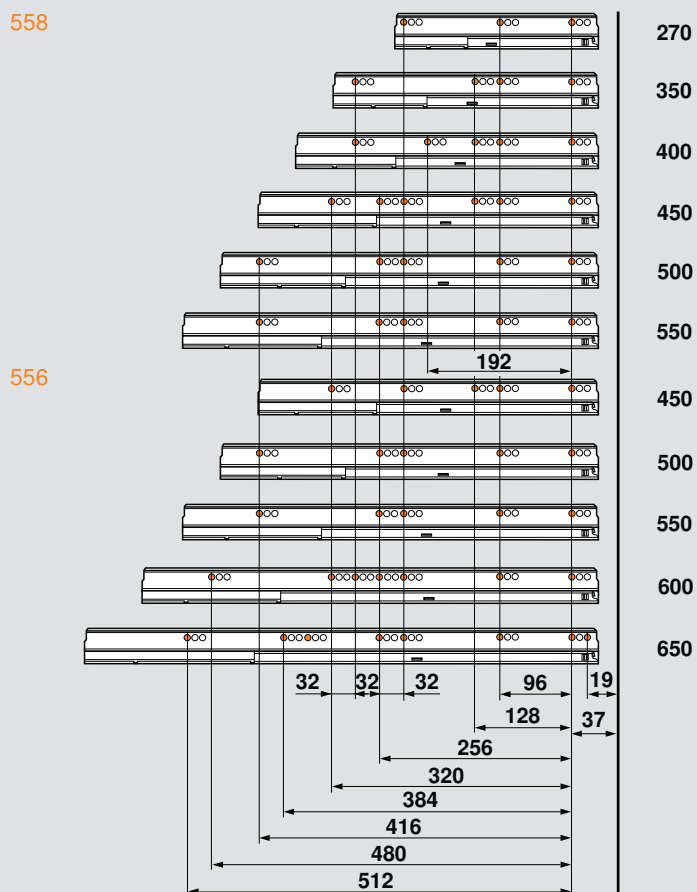
Part no.

INSERTA	ZSF.3902
Screw-on*	ZSF.3502.02

*Use of #6 x 3/4" minimum truss head screw is recommended

TANDEMBOX M height drawer

Cabinet profile installation



NOTE: Recommended screw locations in orange (system screws or #7 wood screws)

Cutting dimensions for bottom and back

Drawer bottom

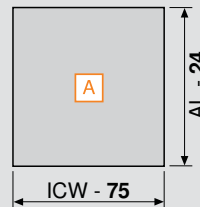
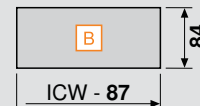
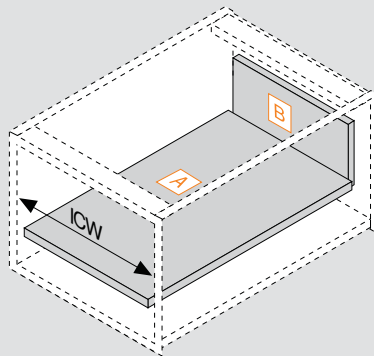
Width = opening width minus **75** (2-15/16")

Length = actual cabinet profile length minus **24** (15/16")

Drawer back

Width = opening width minus **87** (3-7/16")

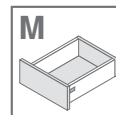
Height = **135** (5-5/16")



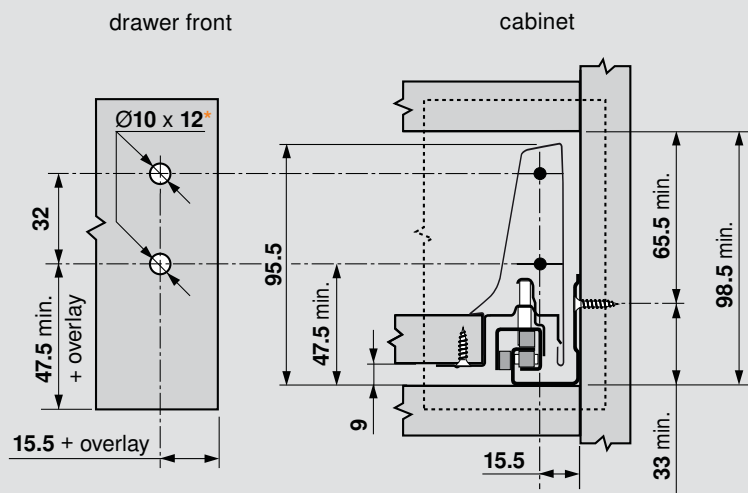
AL = actual cabinet profile length

ICW = opening width

NOTE: Use **16** (5/8") material for bottom and back

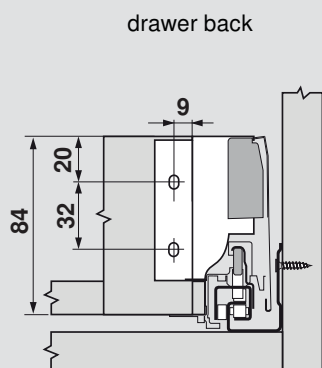


Front fixing bracket installation



*Pre-boring dimensions for INSERTA and EXPANDO only, for screw-on pre-bore $\text{Ø}2 \times 2.5$

Rear fixing bracket installation



TANDEMBOX B height drawer with single gallery

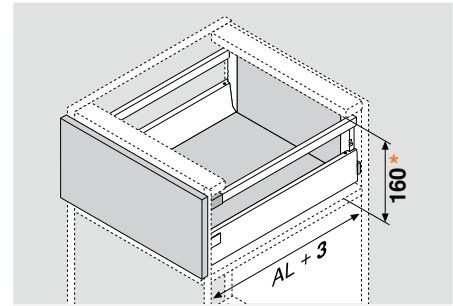
Application



Description

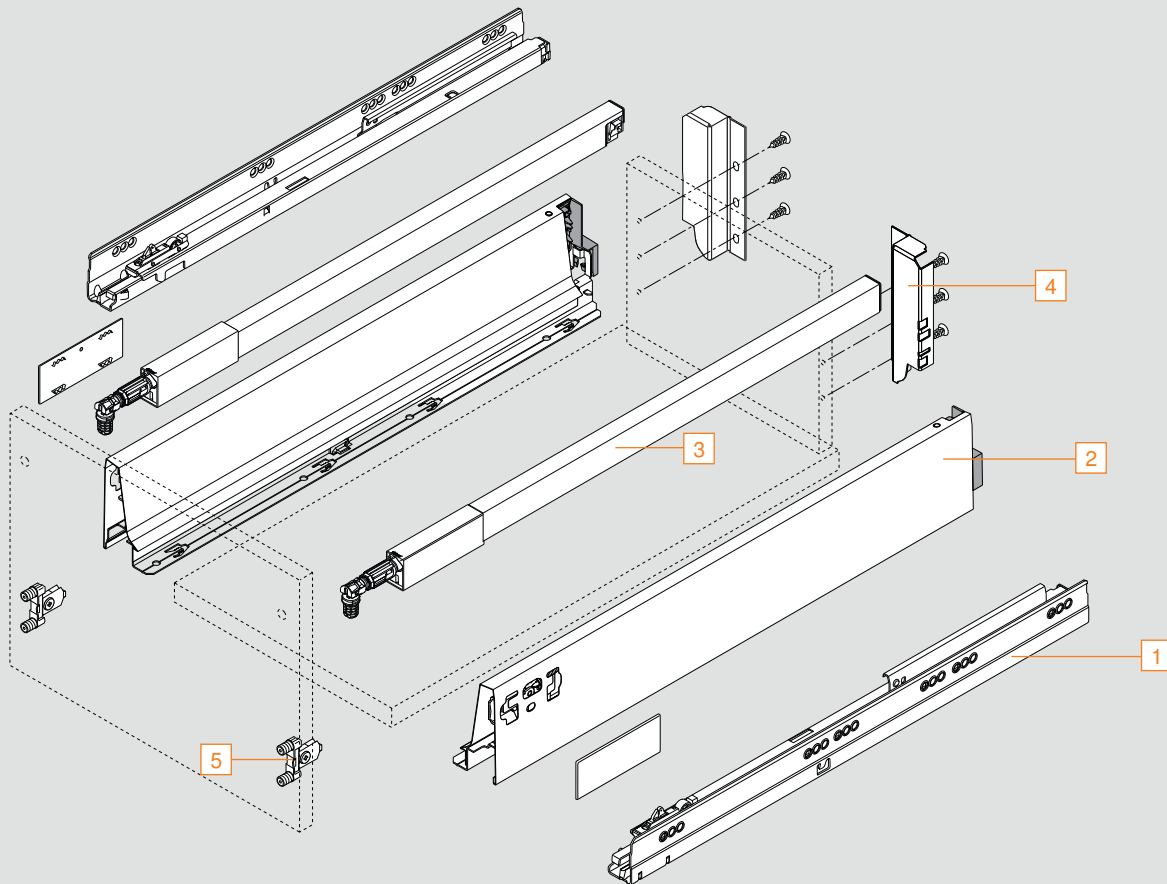
- Full extension drawer system with BLUMOTION
- TANDEM smooth running action
- Three-dimensional drawer front adjustment
- Dynamic load capacities of 75 lb and 150 lb
- Drawer side height **146** (5-3/4")

Space requirements



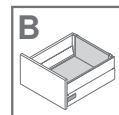
AL = actual cabinet profile length
*Minimum opening height based on 3 (1/8") clearance

Components



NOTE: Parts identified on right page

Required parts

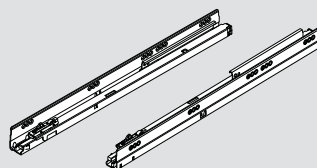


Cabinet and drawer profile sets

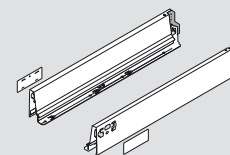
Sets include:

- Left and right profiles
- Drawer profile includes color coordinated cover caps

1 cabinet profile



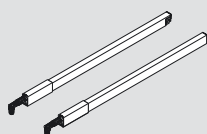
2 drawer profile



nominal length	actual cabinet profile length	75 lb		150 lb		gray		stainless steel	
		Part no.	Part no.	Part no.	Part no.	Part no.	Part no.		
16"	400 (15-3/4")	558.4001B				358M4002SA		358M4002IA	
18"	450 (17-11/16")	558.4501B		556.4501B		358M4502SA		358M4502IA	
20"	500 (19-11/16")	558.5001B		556.5001B		358M5002SA		358M5002IA	
22"	550 (21-5/8")	558.5501B		556.5501B		358M5502SA		358M5502IA	
24"	600 (23-5/8")			556.6001B		359M6002SA		359M6002IA	
26"	650 (25-9/16")			556.6501B		359M6502SA		359M6502IA	
Installation wood screw			707N		707N		612TH		612TH
Installation system screw			661.1300.HG		661.1300.HG				

Top gallery rail

3



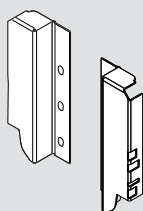
Set includes:

- Left and right gallery rails

actual cabinet profile length	gray		stainless steel	
	Part no.	Part no.	Part no.	Part no.
400 (15-3/4")	ZRG.337RSIC		ZRG.337RIIC	
450 (17-11/16")	ZRG.387RSIC		ZRG.387RIIC	
500 (19-11/16")	ZRG.437RSIC		ZRG.437RIIC	
550 (21-5/8")	ZRG.487RSIC		ZRG.487RIIC	
600 (23-5/8")	ZRG.537RSIC		ZRG.537RIIC	
650 (25-9/16")	ZRG.587RSIC		ZRG.587RIIC	

Rear fixing bracket set

4



Set includes:

- Left and right bracket
- Colors: gray and nickel

Part no.	
Rear fixing bracket set	Z30B000S.04
Installation screw	612TH

Front fixing bracket

5

INSERTA



Screw-on



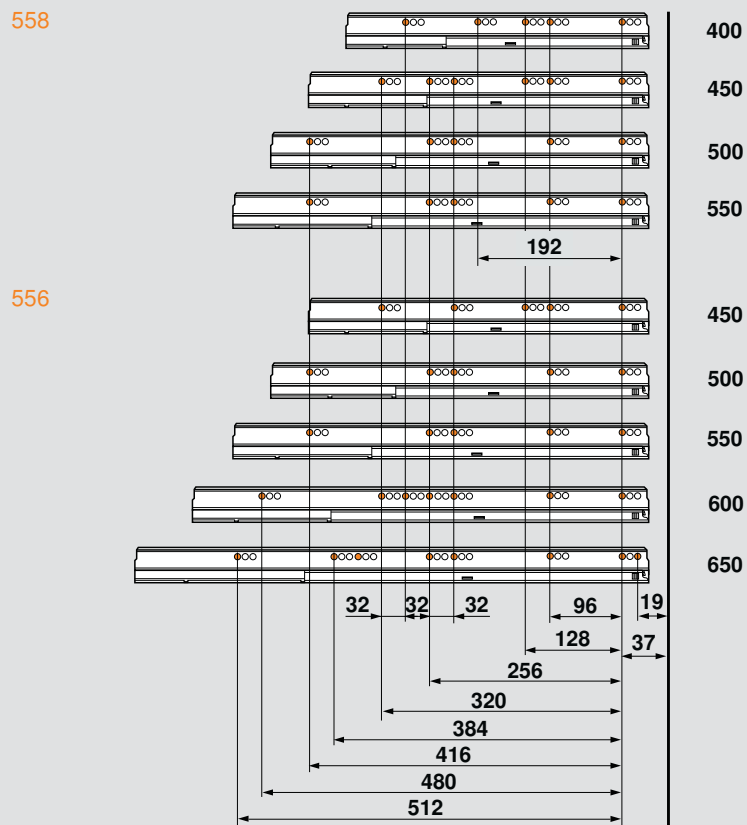
- Two required per drawer
- For use with N and M height drawer profiles only

Part no.	
INSERTA	ZSF.3902
Screw-on*	ZSF.3502.02

*Use of #6 x 3/4" minimum truss head screw is recommended

TANDEMBOX B height drawer with single gallery

Cabinet profile installation



NOTE: Recommended screw locations in orange (system screws or #7 wood screws)

Cutting dimensions for bottom and back

Drawer bottom

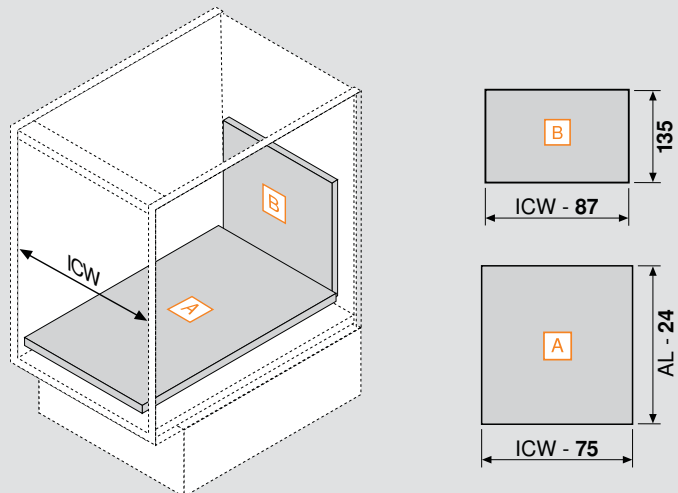
Width = opening width minus **75** (2-15/16")

Length = actual cabinet profile length minus **24** (15/16")

Drawer back

Width = opening width minus **87** (3-7/16")

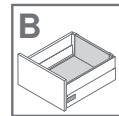
Height = **135** (5-5/16")



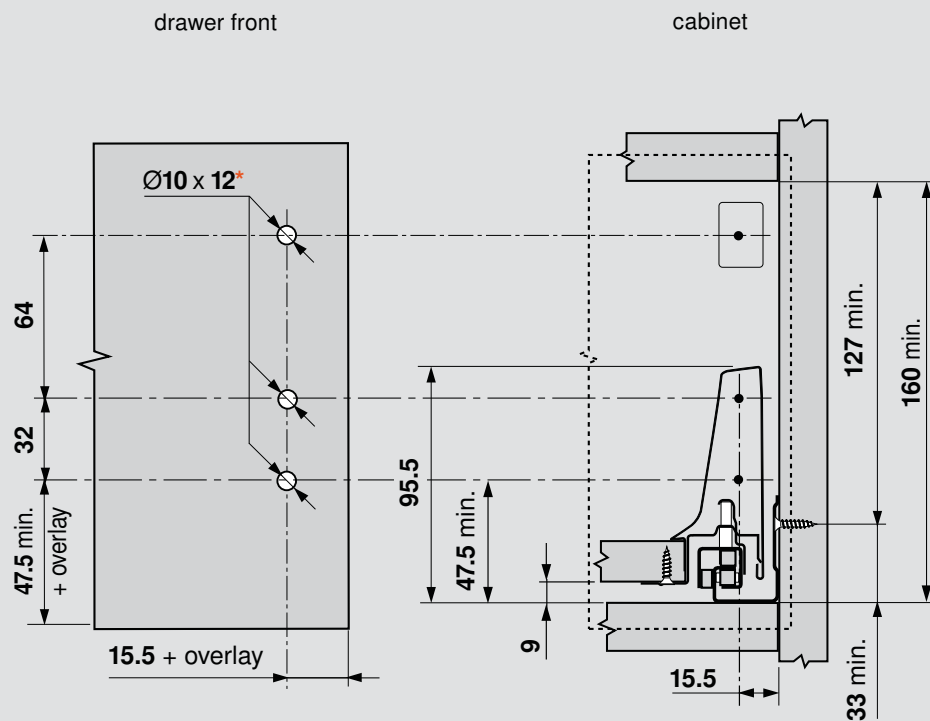
AL = actual cabinet profile length

ICW = opening width

NOTE: Use **16** (5/8") material for bottom and back

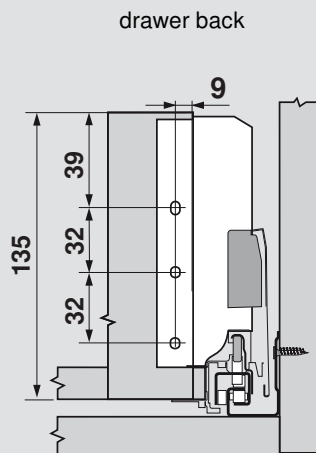


Front fixing bracket installation



*Pre-boring dimensions for INSERTA and EXPANDO only, for screw-on pre-bore $\text{Ø}2 \times 2.5$

Rear fixing bracket installation



TANDEMBOX D height drawer with single gallery

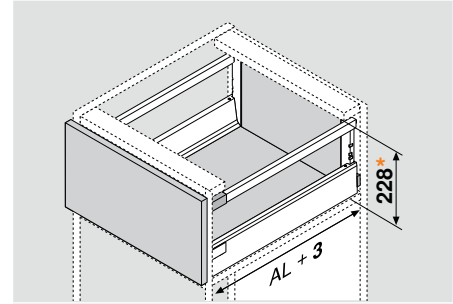
Application



Description

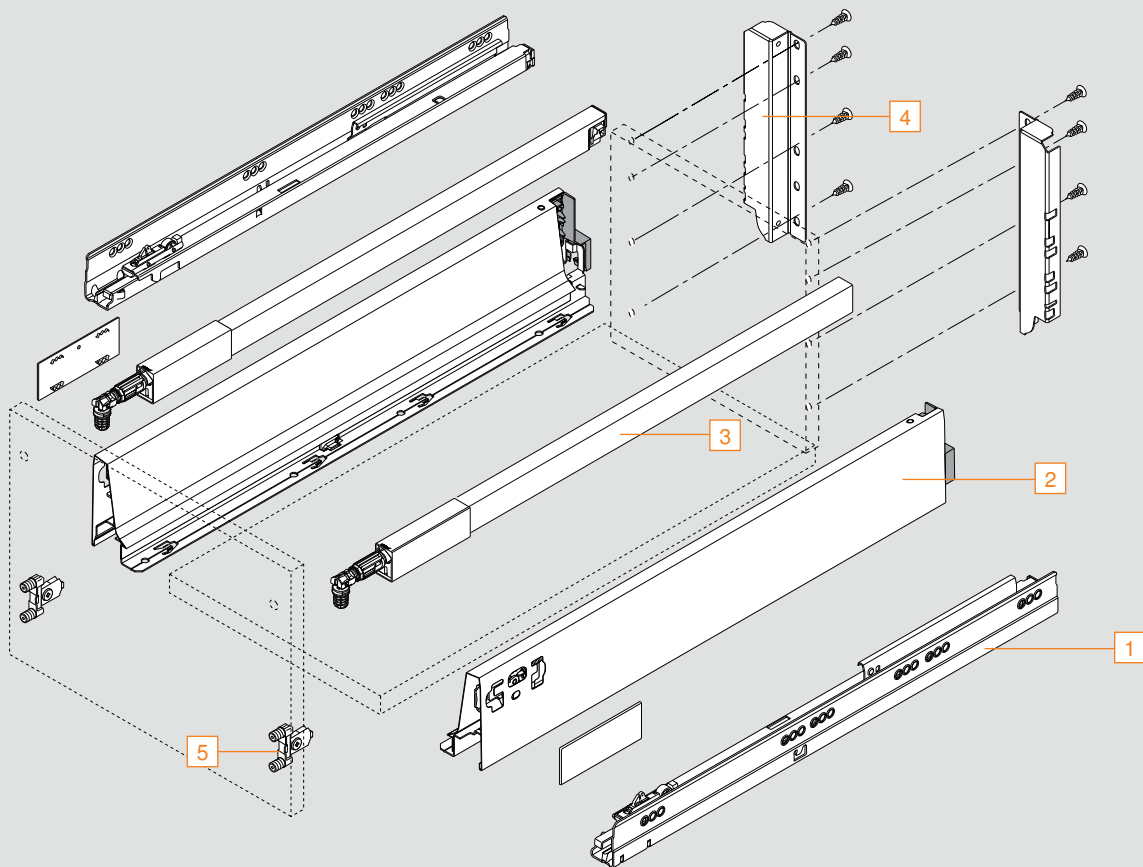
- Full extension drawer system with BLUMOTION
- TANDEM smooth running action
- Three-dimensional drawer front adjustment
- Dynamic load capacities of 75 lb and 150 lb
- Drawer side height 207 (8-1/8")

Space requirements



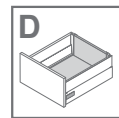
AL = actual cabinet profile length
*Minimum opening height based on 3 (1/8") clearance

Components



NOTE: Parts identified on right page

Required parts

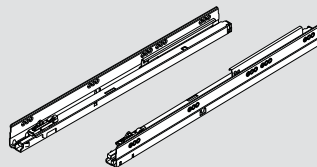


Cabinet and drawer profile sets

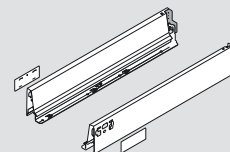
Sets include:

- Left and right profiles
- Drawer profile includes color coordinated cover caps

1 cabinet profile



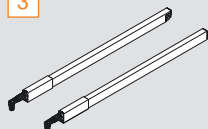
2 drawer profile



nominal length	actual cabinet profile length				
		75 lb	150 lb	gray	stainless steel
16"	400 (15-3/4")	558.4001B		358M4002SA	358M4002IA
18"	450 (17-11/16")	558.4501B	556.4501B	358M4502SA	358M4502IA
20"	500 (19-11/16")	558.5001B	556.5001B	358M5002SA	358M5002IA
22"	550 (21-5/8")	558.5501B	556.5501B	358M5502SA	358M5502IA
24"	600 (23-5/8")		556.6001B	359M6002SA	359M6002IA
26"	650 (25-9/16")		556.6501B	359M6502SA	359M6502IA
Installation wood screw		707N	707N	612TH	612TH
Installation system screw		661.1300.HG	661.1300.HG		

Top gallery rail

3



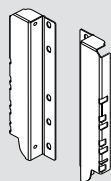
Set includes:

- Left and right gallery rails

actual cabinet profile length		
	gray	stainless steel
400 (15-3/4")	ZRG.337RSIC	ZRG.337RIIC
450 (17-11/16")	ZRG.387RSIC	ZRG.387RIIC
500 (19-11/16")	ZRG.437RSIC	ZRG.437RIIC
550 (21-5/8")	ZRG.487RSIC	ZRG.487RIIC
600 (23-5/8")	ZRG.537RSIC	ZRG.537RIIC
650 (25-9/16")	ZRG.587RSIC	ZRG.587RIIC

Rear fixing bracket set

4



Set includes:

- Left and right bracket
- Colors: gray and nickel

Part no.

Rear fixing bracket set	Z30D000SL
Installation screw	612TH

Front fixing bracket

5

INSERTA



Screw-on



- Two required per drawer
- For use with N and M height drawer profiles only

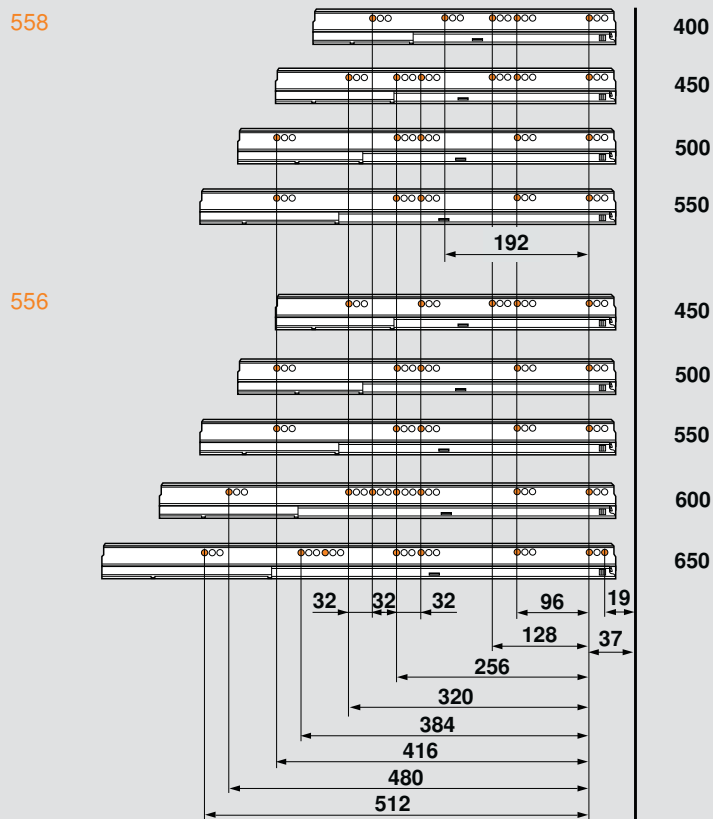
Part no.

INSERTA	ZSF.3902
Screw-on*	ZSF.3502.02

*Use of #6 x 3/4" minimum truss head screw is recommended

TANDEMBOX D height drawer with single gallery

Cabinet profile installation



NOTE: Recommended screw locations in orange (system screws or #7 wood screws)

Cutting dimensions for bottom and back

Drawer bottom

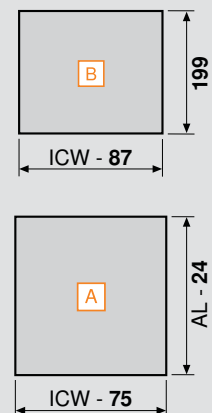
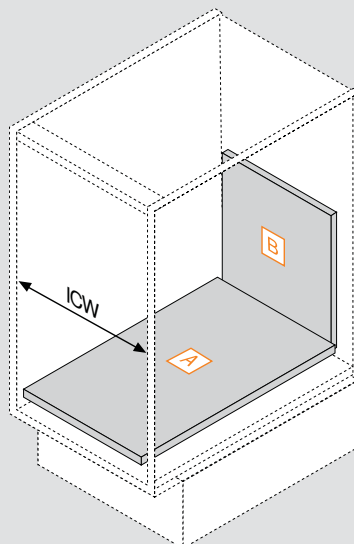
Width = opening width minus **75** (2-15/16")

Length = actual cabinet profile length minus **24** (15/16")

Drawer back

Width = opening width minus **87** (3-7/16")

Height = **199** (7-13/16")

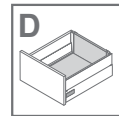


AL = actual cabinet profile length

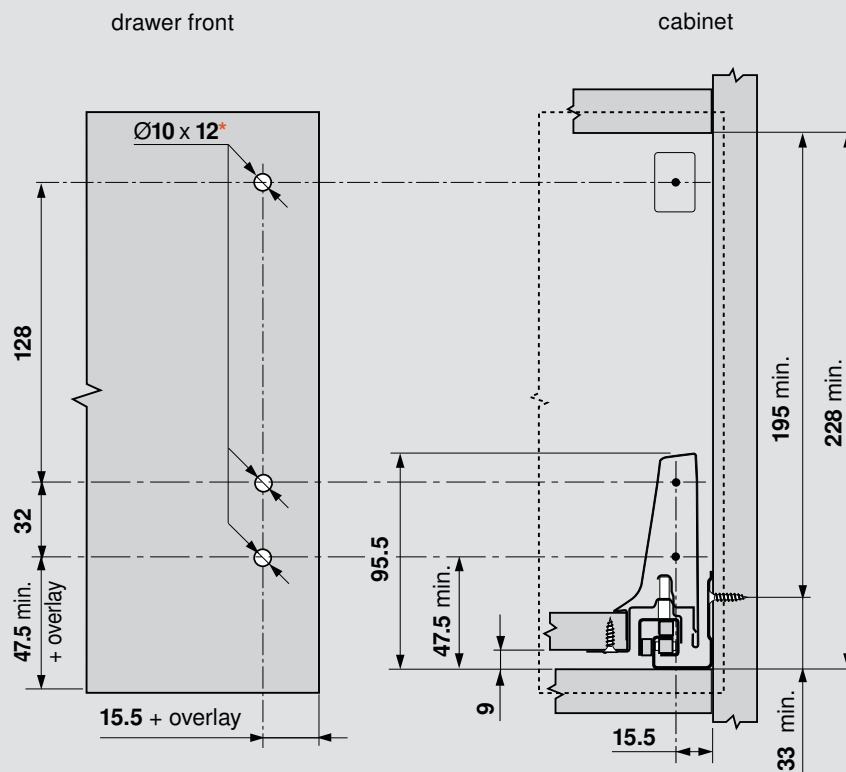
ICW = opening width

NOTE: Use **16** (5/8") material for bottom and back

Specifications

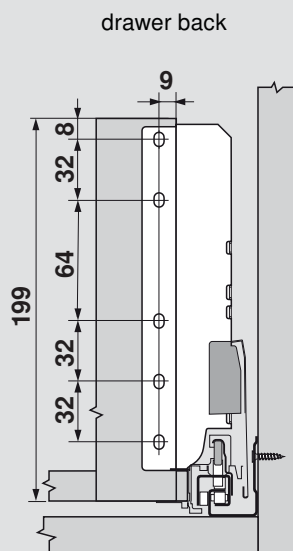


Front fixing bracket installation



*Pre-boring dimensions for INSERTA and EXPANDO only, for screw-on pre-bore $\text{Ø}2 \times 2.5$

Rear fixing bracket installation



TANDEMBOX D height drawer with double gallery

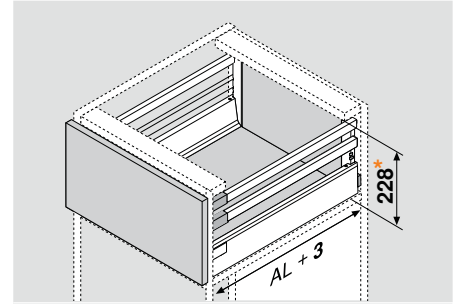
Application



Description

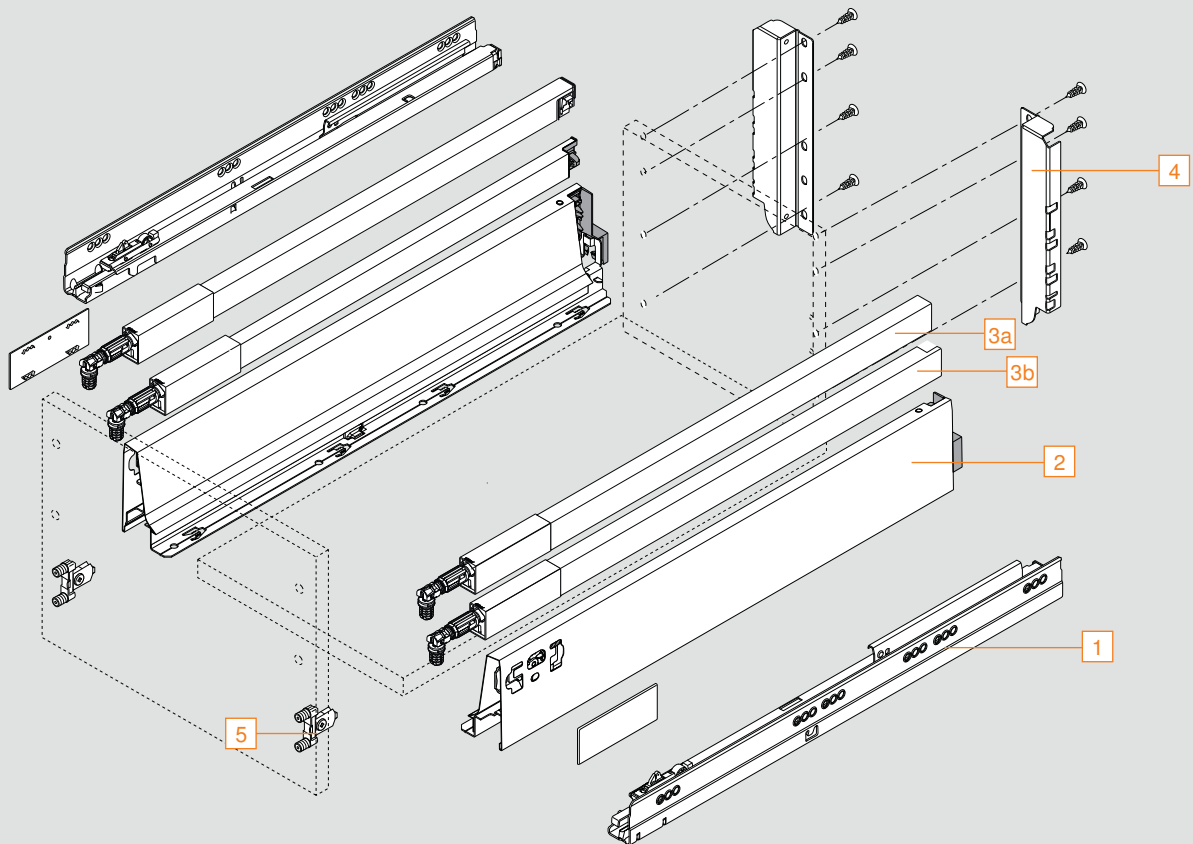
- Full extension drawer system with BLUMOTION
- TANDEM smooth running action
- Three-dimensional drawer front adjustment
- Dynamic load capacities of 75 lb and 150 lb
- Drawer side height 207 (8-1/8")

Space requirements



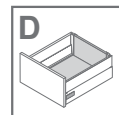
AL = actual cabinet profile length
*Minimum opening height based on 3 (1/8") clearance

Components



NOTE: Parts identified on right page

Required parts



Cabinet and drawer profile sets

Sets include:

- Left and right profiles
- Drawer profile includes color coordinated cover caps

nominal length	actual cabinet profile length	1 cabinet profile		2 drawer profile	
		75 lb	150 lb	gray	stainless steel
16"	400 (15-3/4")	558.4001B		358M4002SA	358M4002IA
18"	450 (17-11/16")	558.4501B	556.4501B	358M4502SA	358M4502IA
20"	500 (19-11/16")	558.5001B	556.5001B	358M5002SA	358M5002IA
22"	550 (21-5/8")	558.5501B	556.5501B	358M5502SA	358M5502IA
Installation wood screw		707N	707N	612TH	612TH
Installation system screw		661.1300.HG	661.1300.HG		

Top gallery rail

3a

Set includes:

- Left and right gallery rails

actual cabinet profile length	gray	stainless steel
400 (15-3/4")	ZRG.337RSIC	ZRG.337RIIC
450 (17-11/16")	ZRG.387RSIC	ZRG.387RIIC
500 (19-11/16")	ZRG.437RSIC	ZRG.437RIIC
550 (21-5/8")	ZRG.487RSIC	ZRG.487RIIC

Center gallery rail

3b

Set includes:

- Left and right gallery rails

actual cabinet profile length	gray	stainless steel
400 (15-3/4")	ZRG.337RSIE	ZRG.337RIIE
450 (17-11/16")	ZRG.387RSIE	ZRG.387RIIE
500 (19-11/16")	ZRG.437RSIE	ZRG.437RIIE
550 (21-5/8")	ZRG.487RSIE	ZRG.487RIIE

Rear fixing bracket set

4

Set includes:

- Left and right bracket
- Colors: gray and nickel

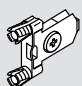
	Part no.
Rear fixing bracket set	Z30D000SL
Installation screw	612TH

Front fixing bracket

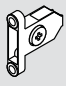
5

- Two required per drawer
- For use with N and M height drawer profiles only

INSERTA



Screw-on

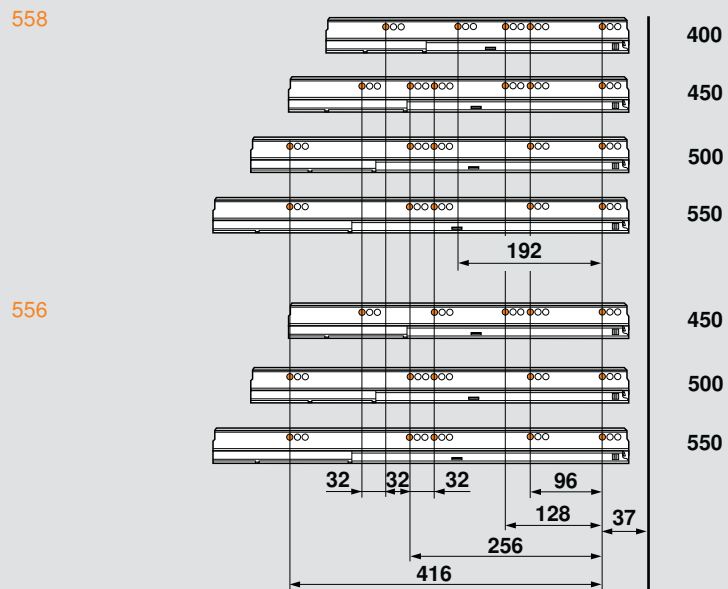


	Part no.
INSERTA	ZSF.3902
Screw-on*	ZSF.3502.02

*Use of #6 x 3/4" minimum truss head screw is recommended

TANDEMBOX D height drawer with double gallery

Cabinet profile installation



NOTE: Recommended screw locations in orange (system screws or #7 wood screws)

Cutting dimensions for bottom and back

Drawer bottom

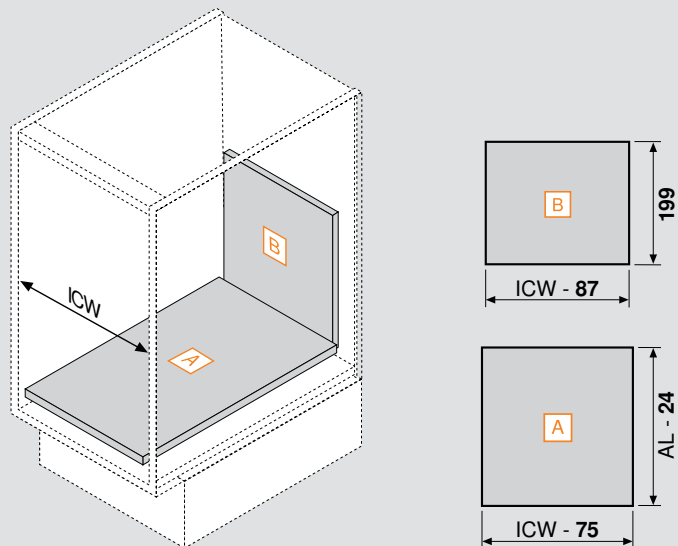
Width = opening width minus **75** (2-15/16")

Length = actual cabinet profile length minus **24** (15/16")

Drawer back

Width = opening width minus **87** (3-7/16")

Height = **199** (7-13/16")

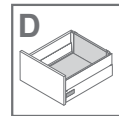


AL = actual cabinet profile length

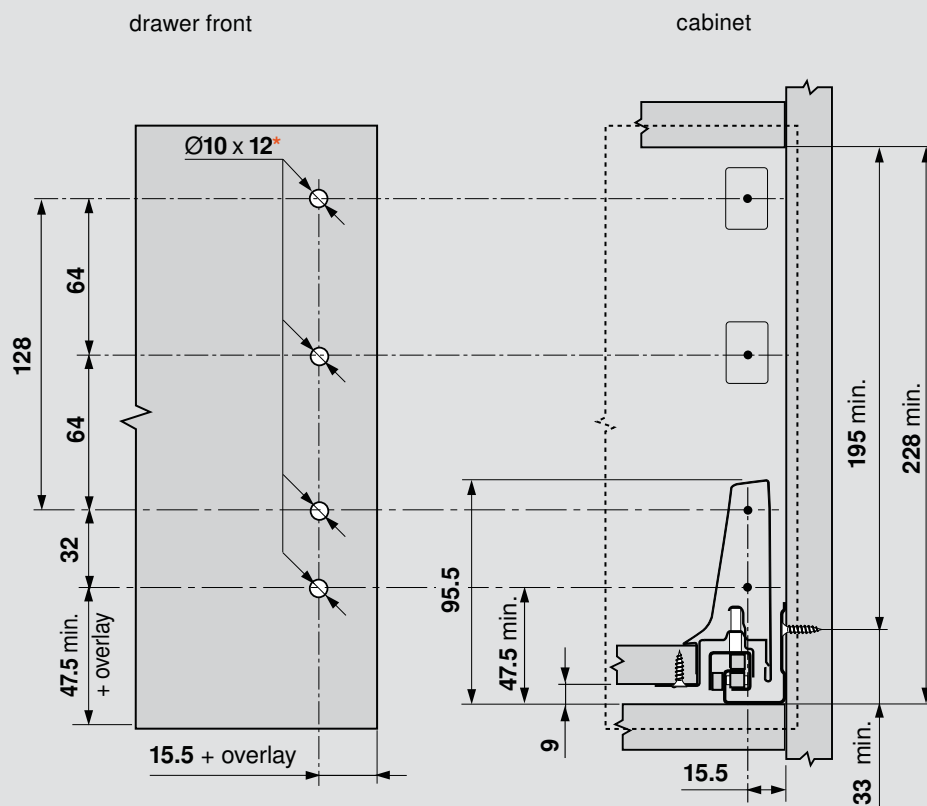
ICW = opening width

NOTE: Use **16** (5/8") material for bottom and back

Specifications

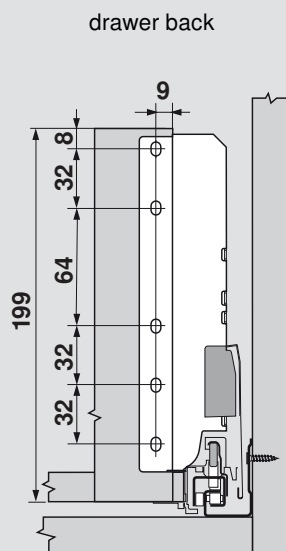


Front fixing bracket installation



*Pre-boring dimensions for INSERTA and EXPANDO only, for screw-on pre-bore $\text{Ø}2 \times 2.5$

Rear fixing bracket installation



TANDEMBOX D height drawer – gallery with design element

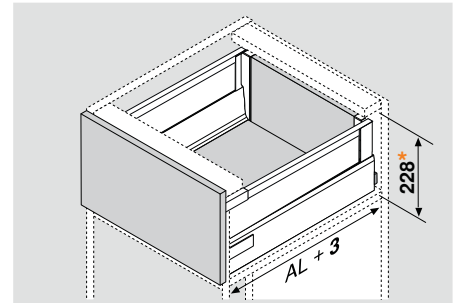
Application



Description

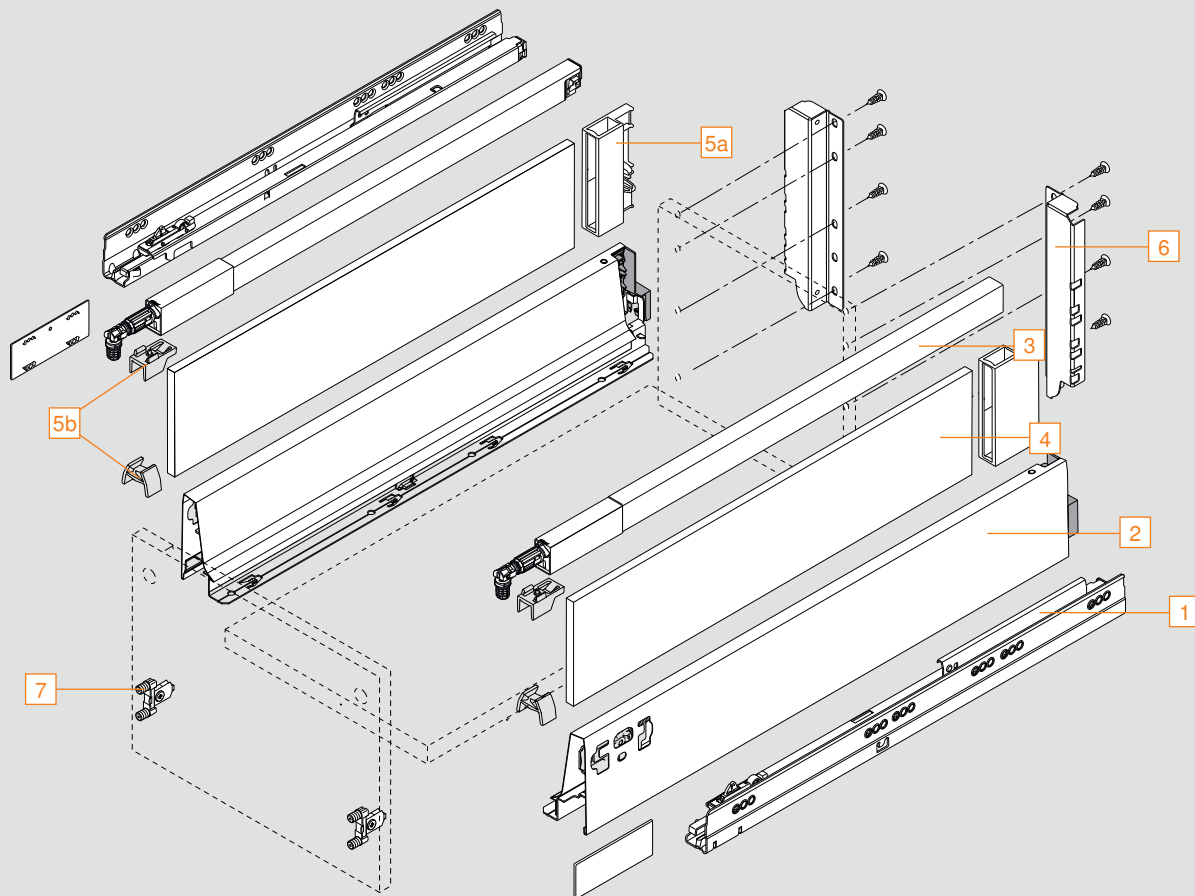
- Full extension drawer system with BLUMOTION
- TANDEM smooth running mechanism
- Three-dimensional drawer front adjustment
- Dynamic load capacity of 75 lb and 150 lb
- Drawer side height **207** (8-1/8")

Space requirements



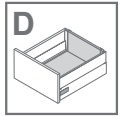
AL = actual cabinet profile length
 *Minimum opening height based on 3 (1/8") clearance

Components



NOTE: Parts identified on right page

Required parts

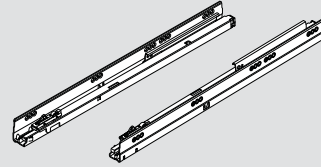


Cabinet and drawer profile sets

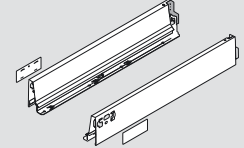
Sets include:

- Left and right profiles
- Drawer profile includes color coordinated cover caps

1 cabinet profile



2 drawer profile



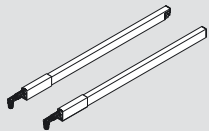
nominal length	actual cabinet profile length	75 lb		150 lb		gray
		Part no.	Part no.	Part no.	Part no.	Part no.
18"	450 (17-11/16")	558.4501B	556.4501B	358M4502SA		
20"	500 (19-11/16")	558.5001B	556.5001B	358M5002SA		
22"	550 (21-5/8")	558.5501B	556.5501B	358M5502SA		
26"	650 (25-9/16")		556.6501B	359M6502SA		
Installation wood screw		707N	707N	612TH		
Installation system screw		661.1300.HG	661.1300.HG			

Top gallery rail

3

Set includes:

- Left and right gallery rails

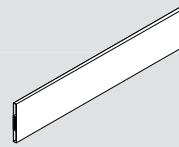


actual cabinet profile length	gray
450 (17-11/16")	ZRG.387RSIC
500 (19-11/16")	ZRG.437RSIC
550 (21-5/8")	ZRG.487RSIC
650 (25-9/16")	ZRG.587RSIC

Metal design element

4

- Two required per drawer



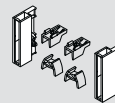
actual cabinet profile length	gray
450 (17-11/16")	Z37A417D
500 (19-11/16")	Z37A467D
550 (21-5/8")	Z37A517D
650 (25-9/16")	Z37A617D

Gallery bracket set

5

Set includes:

- 5a Left and right rear brackets
- 5b Front fixing clips (qty 4)
- Color: gray



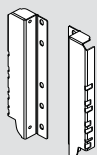
Part no.	Part no.
Gallery bracket set	Z36D0080

Rear fixing bracket set

6

Set includes:

- Left and right bracket
- Color: gray



Part no.	Part no.
Rear fixing bracket set	Z30D000SL
Installation screw	612TH

Front fixing bracket

7

- Two required per drawer
- For use with N and M height drawer profiles only

INSERTA



Screw-on

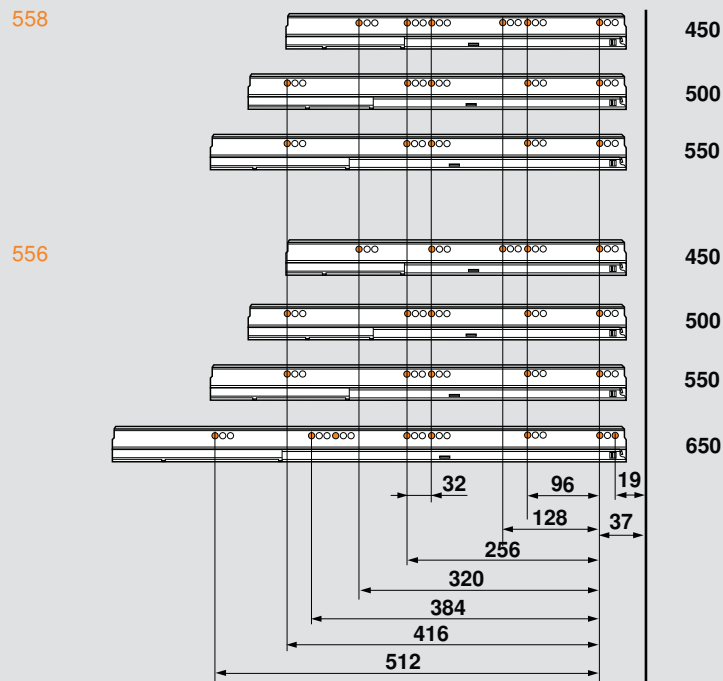


Part no.	Part no.
INSERTA	ZSF.3902
Screw-on*	ZSF.3502.02

*Use of #6 x 3/4" minimum truss head screw is recommended

TANDEMBOX D height drawer – gallery with design element

Cabinet profile installation



NOTE: Recommended screw locations in orange (system screws or #7 wood screws)

Cutting dimensions for bottom and back

Drawer bottom

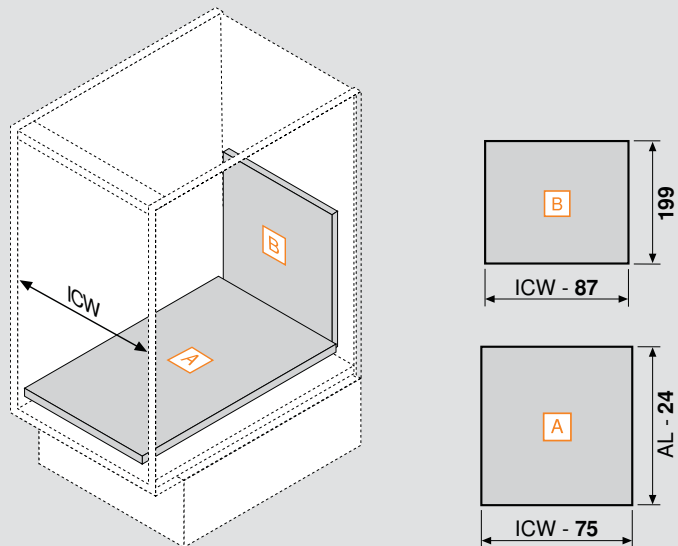
Width = opening width minus **75** (2-15/16")

Length = actual cabinet profile length minus **24** (15/16")

Drawer back

Width = opening width minus **87** (3-7/16")

Height = **199** (7-13/16")

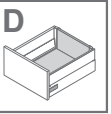


AL = actual cabinet profile length

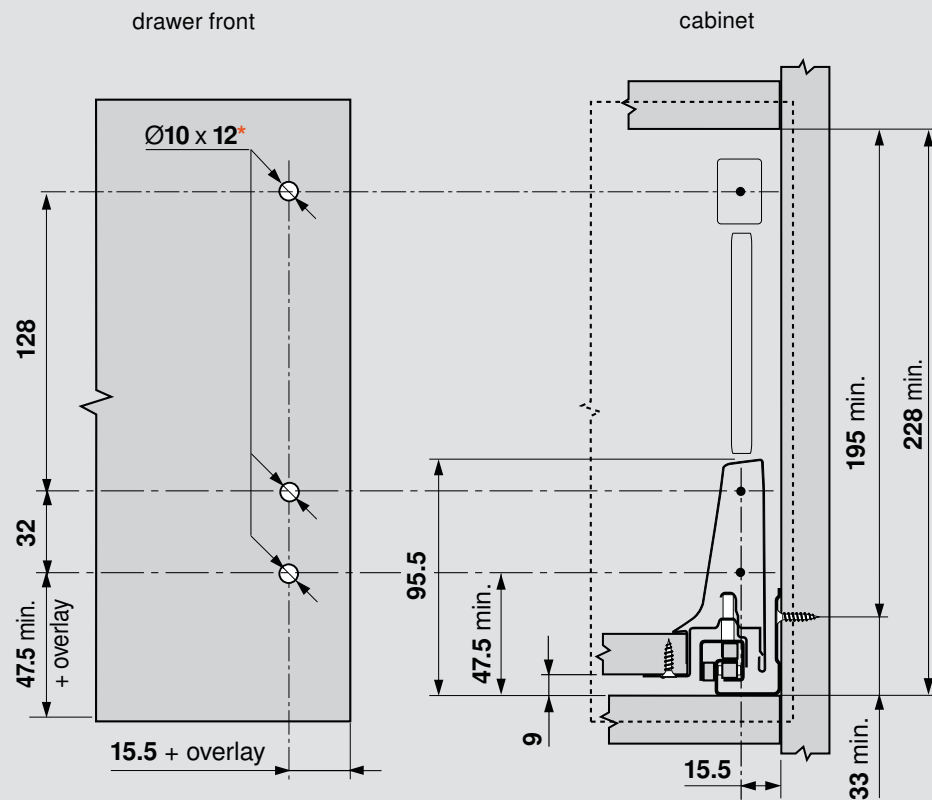
ICW = opening width

NOTE: Use **16** (5/8") material for bottom and back

Specifications

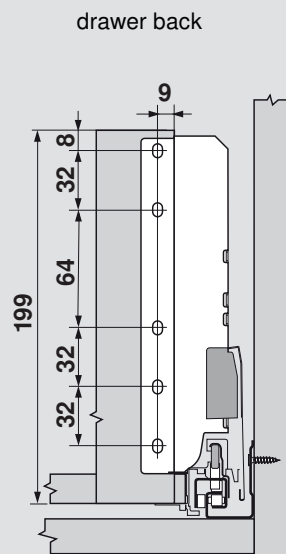


Front fixing bracket installation



*Pre-boring dimensions for INSERTA and EXPANDO only, for screw-on pre-bore $\text{Ø}2 \times 2.5$

Rear fixing bracket installation



TANDEMBOX D height drawer – with design element

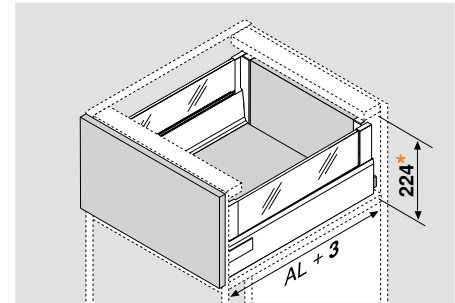
Application



Description

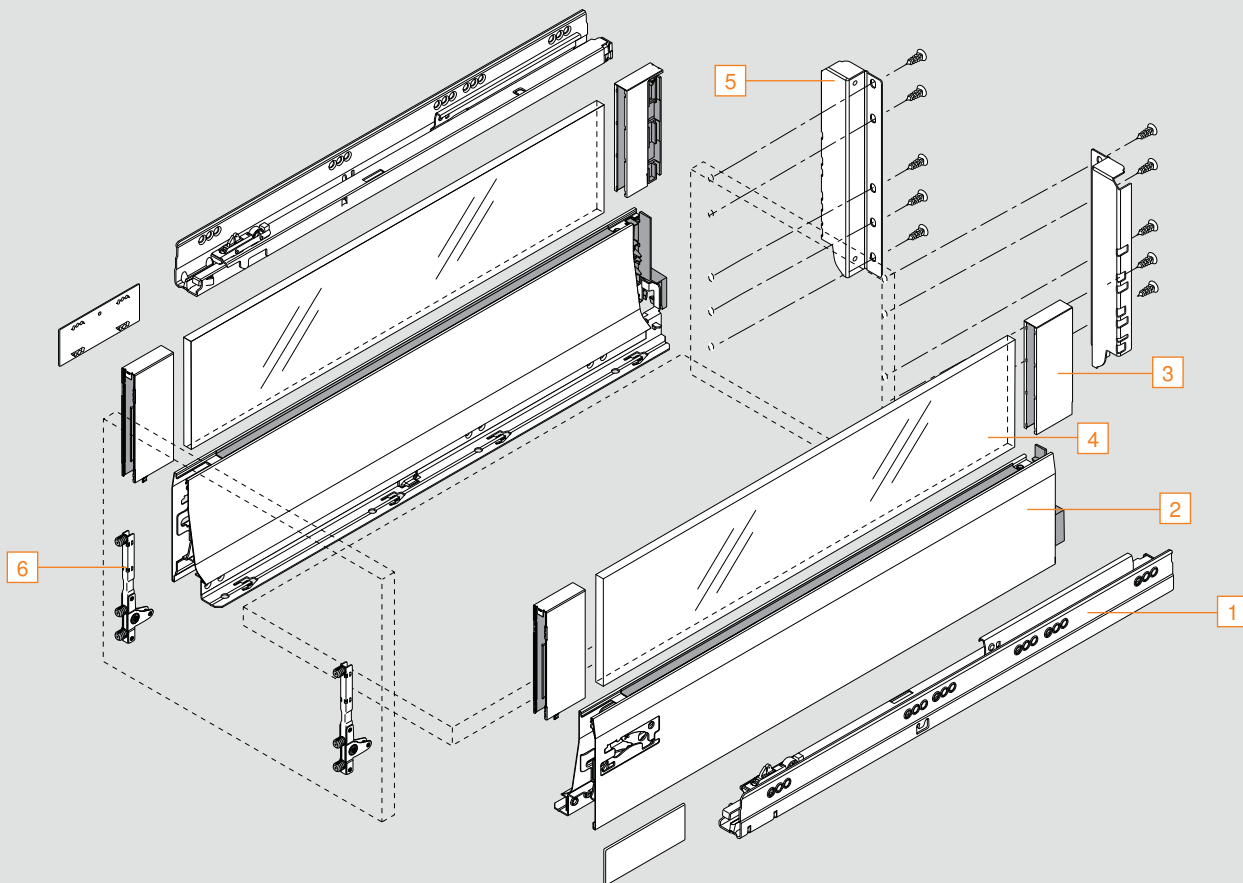
- Full extension drawer system with BLUMOTION
- TANDEM smooth running mechanism
- Three-dimensional drawer front adjustment
- Dynamic load capacity of 75 lb and 150 lb
- Drawer side height **203** (8")

Space requirements



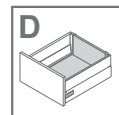
AL = actual cabinet profile length
*Minimum opening height based on 3 (1/8") clearance

Components



NOTE: Parts identified on right page

Required parts



Cabinet and drawer profile sets		1 cabinet profile		2 drawer profile
Sets include:				
<ul style="list-style-type: none"> Left and right profiles Drawer profile includes color coordinated cover caps 				
nominal length	actual cabinet profile length	75 lb	150 lb	stainless steel
11"	270 (10-5/8")	558.2701B		358L2702IA2
14"	350 (13-3/4")	558.3501B		358L3502IA2
16"	400 (15-3/4")	558.4001B		358L4002IA2
18"	450 (17-11/16")	558.4501B	556.4501B	358L4502IA2
20"	500 (19-11/16")	558.5001B	556.5001B	358L5002IA2
22"	550 (21-5/8")	558.5501B	556.5501B	358L5502IA2
24"	600 (23-5/8")		556.6001B	359L6002IA2
26"	650 (25-9/16")		556.6501B	359L6502IA2
Installation wood screw		707N	707N	612TH
Installation system screw		661.1300.HG	661.1300.HG	

BOXCOVER set	
	Set includes: <ul style="list-style-type: none"> Front and rear BOXCOVERS Color: stainless steel
	Part no.
BOXCOVER set	Z36L002G.I

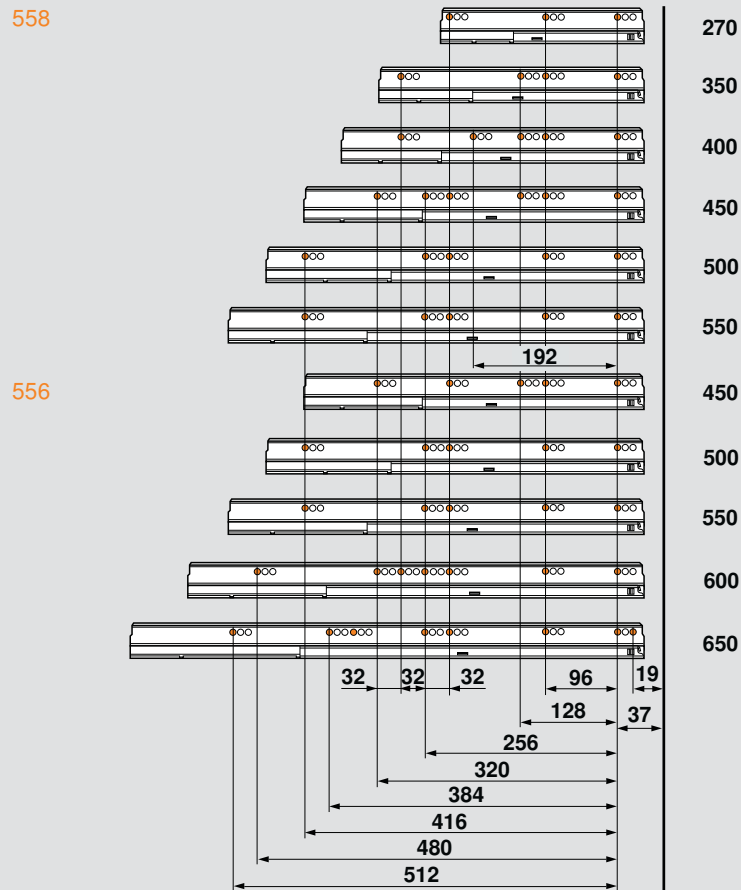
Design element		
	Set includes:	
	<ul style="list-style-type: none"> Left and right design element 8 mm thick tempered glass Frosted finish 	
nominal length	actual cabinet profile length	frosted glass
11"	270 (10-5/8")	Z37G210D.US
14"	350 (13-3/4")	Z37G290D.US
16"	400 (15-3/4")	Z37G340D.US
18"	450 (17-11/16")	Z37G390D.US
20"	500 (19-11/16")	Z37G440D.US
22"	550 (21-5/8")	Z37G490D.US
24"	600 (23-5/8")	Z37G540D.US
26"	650 (25-9/16")	Z37G590D.US

Rear fixing bracket set	
	Set includes: <ul style="list-style-type: none"> Left and right bracket Color: nickel
	Part no.
Rear fixing bracket set	Z30D000SL
Installation screw	612TH

Front fixing bracket	
	Set includes: <ul style="list-style-type: none"> Two required per drawer For use with D height drawers only
	Part no.
EXPANDO	ZSF.532E
Screw-on	ZSF.5220
Installation screw	606N or 606P

TANDEMBOX D height drawer – with design element

Cabinet profile installation



NOTE: Recommended screw locations in orange (system screws or #7 wood screws)

Cutting dimensions for bottom and back

Drawer bottom

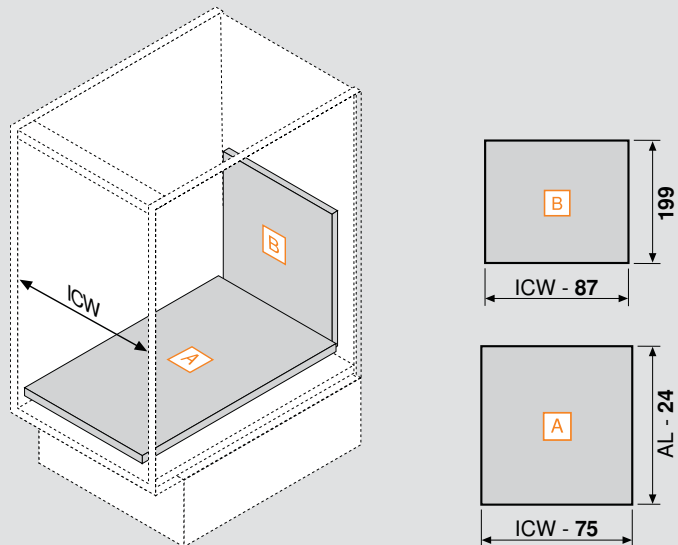
Width = opening width minus **75** (2-15/16")

Length = actual cabinet profile length minus **24** (15/16")

Drawer back

Width = opening width minus **87** (3-7/16")

Height = **199** (7-13/16")

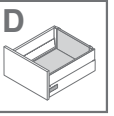


AL = actual cabinet profile length

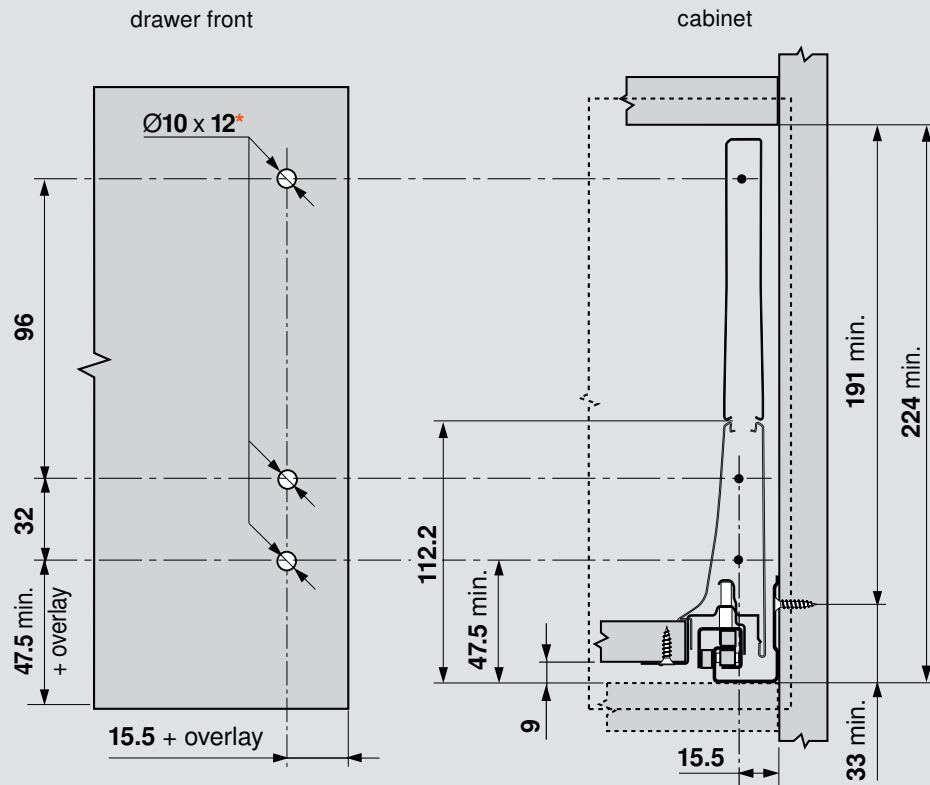
ICW = opening width

NOTE: Use **16** (5/8") material for bottom and back

Specifications

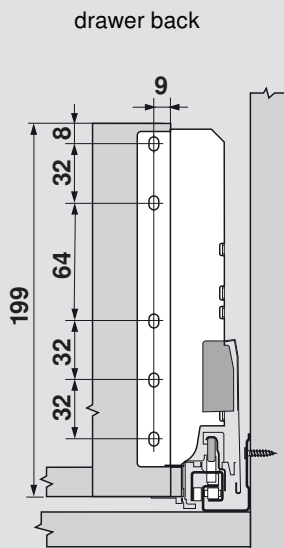


Front fixing bracket installation



*Pre-boring dimensions for INSERTA and EXPANDO only, for screw-on pre-bore $\text{Ø}2 \times 2.5$

Rear fixing bracket installation



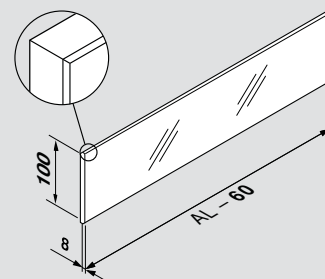
Design element dimensions

Specifications for custom design element

Thickness = 8 mm (+0.3/-0.3)

Length = actual cabinet profile length minus 60 mm

Height = 100 mm (+0/-1)



AL = actual cabinet profile length

TANDEMBOX D height drawer – with BOXCAP

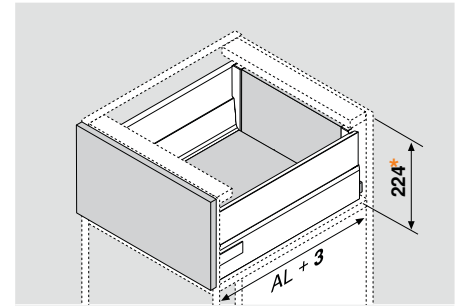
Application



Description

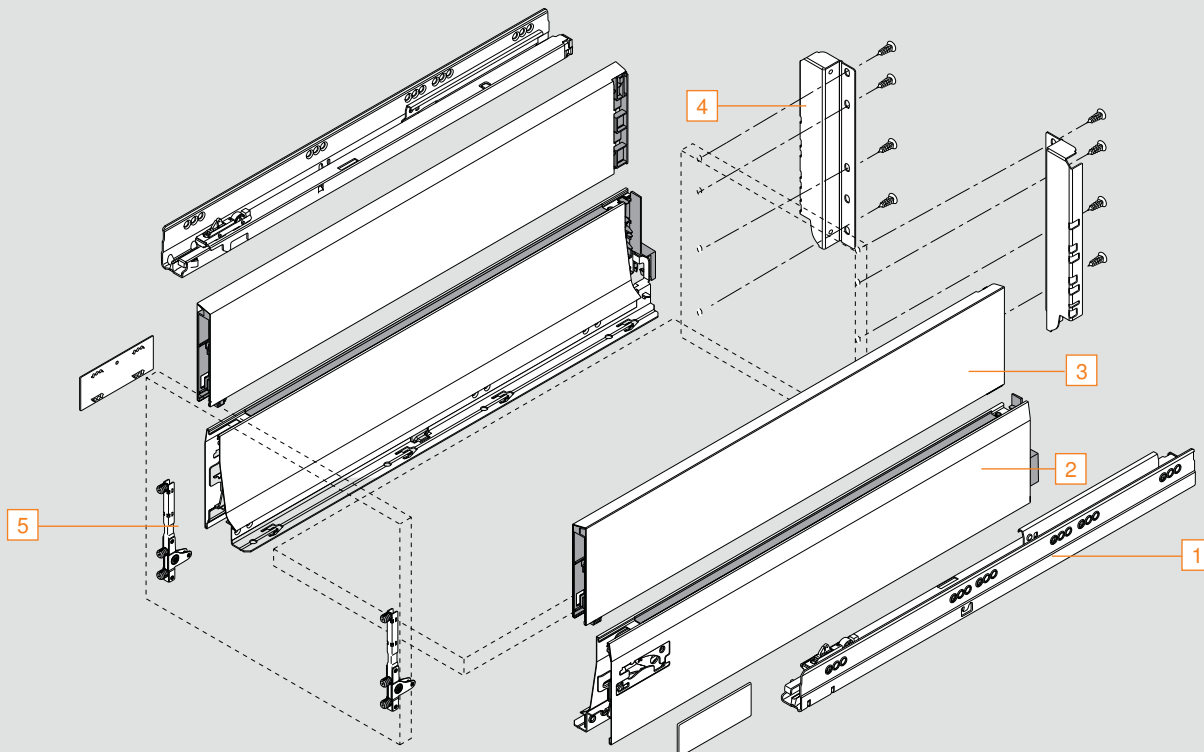
- Full extension drawer system with BLUMOTION
- TANDEM smooth running mechanism
- Three-dimensional drawer front adjustment
- Dynamic load capacity of 75 lb and 150 lb
- Drawer side height **201** (7-15/16")

Space requirements



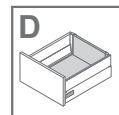
AL = actual cabinet profile length
*Minimum opening height based on 3 (1/8") clearance

Components



NOTE: Parts identified on right page

Required parts

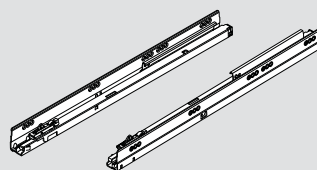


Cabinet and drawer profile sets

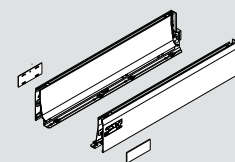
Sets include:

- Left and right profiles
- Drawer profile includes color coordinated cover caps

1 cabinet profile



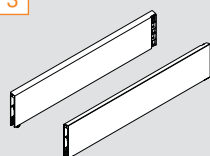
2 drawer profile



nominal length	actual cabinet profile length	Weight		stainless steel
		75 lb	150 lb	
11"	270 (10-5/8")	558.2701B		358L2702IA2
14"	350 (13-3/4")	558.3501B		358L3502IA2
16"	400 (15-3/4")	558.4001B		358L4002IA2
18"	450 (17-11/16")	558.4501B	556.4501B	358L4502IA2
20"	500 (19-11/16")	558.5001B	556.5001B	358L5002IA2
22"	550 (21-5/8")	558.5501B	556.5501B	358L5502IA2
24"	600 (23-5/8")		556.6001B	359L6002IA2
26"	650 (25-9/16")		556.6501B	359L6502IA2
Installation wood screw		707N	707N	612TH
Installation system screw		661.1300.HG	661.1300.HG	

BOXCAP set

3



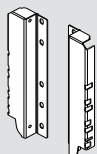
Set includes:

- Left and right BOXCAP
- Color: stainless steel

nominal length	actual cabinet profile length	stainless steel
11"	270 (10-5/8")	Z37L260I.D
14"	350 (13-3/4")	Z37L340I.D
16"	400 (15-3/4")	Z37L390I.D
18"	450 (17-11/16")	Z37L440I.D
20"	500 (19-11/16")	Z37L490I.D
22"	550 (21-5/8")	Z37L540I.D
24"	600 (23-5/8")	Z37L590I.D
26"	650 (25-9/16")	Z37L640I.D

Rear fixing bracket set

4



Set includes:

- Left and right bracket
- Color: nickel

	Part no.
Rear fixing bracket set	Z30D000SL
Installation screw	612TH

Front fixing bracket

5

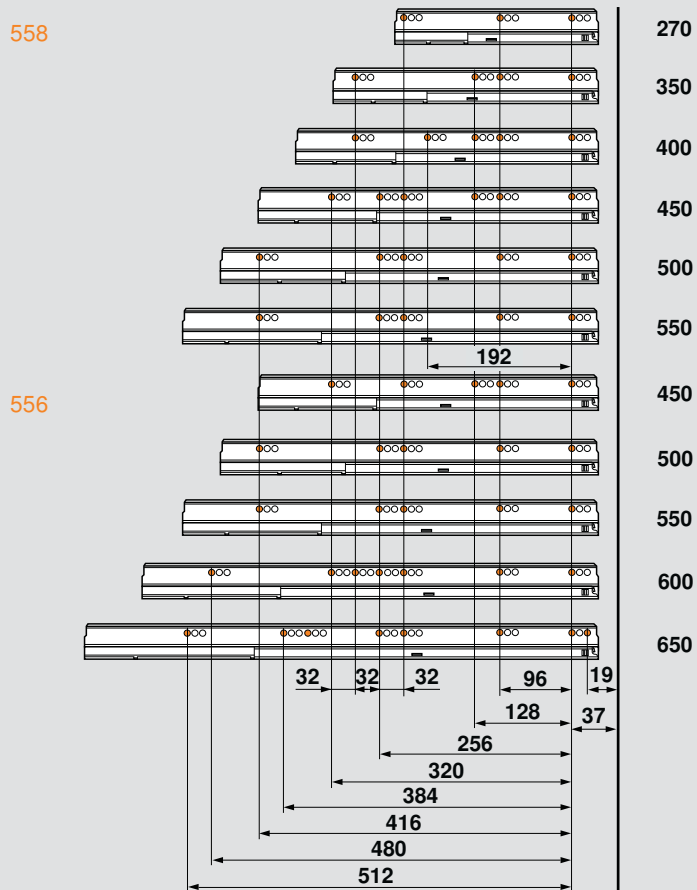


- Two required per drawer
- For use with D height drawers only

	Part no.
EXPANDO	ZSF.532E
Screw-on	ZSF.5220
Installation screw	606N or 606P

TANDEMBOX D height drawer – with BOXCAP

Cabinet profile installation



NOTE: Recommended screw locations in orange (system screws or #7 wood screws)

Cutting dimensions for bottom and back

Drawer bottom

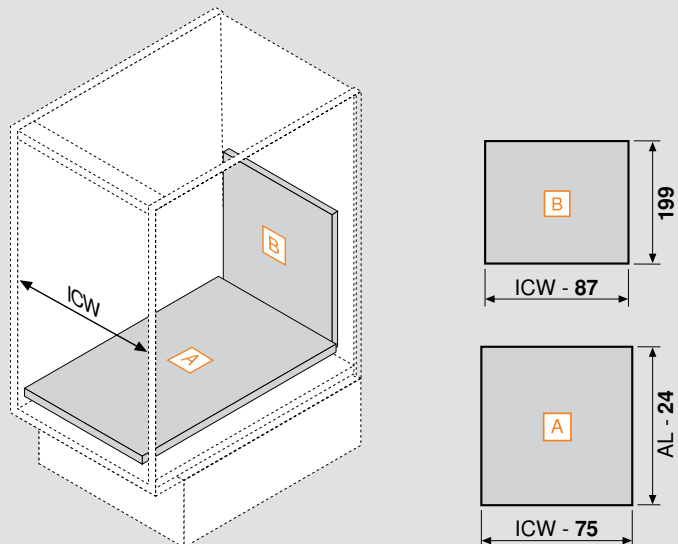
Width = opening width minus **75** (2-15/16")

Length = actual cabinet profile length minus **24** (15/16")

Drawer back

Width = opening width minus **87** (3-7/16")

Height = **199** (7-13/16")

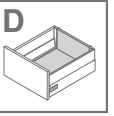


AL = actual cabinet profile length

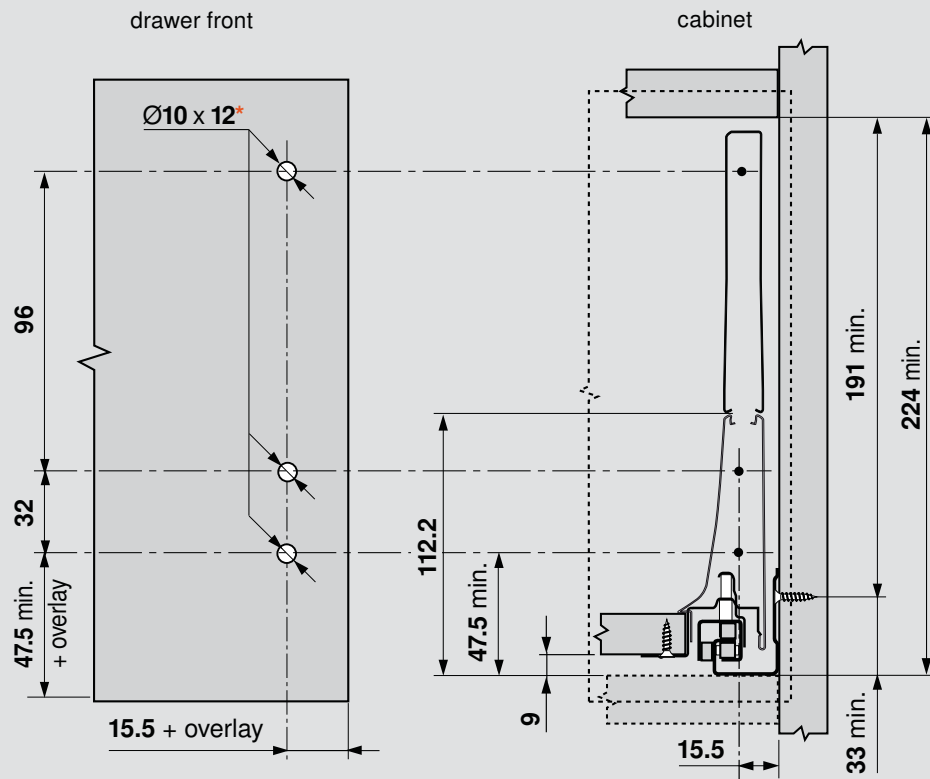
ICW = opening width

NOTE: Use **16** (5/8") material for bottom and back

Specifications

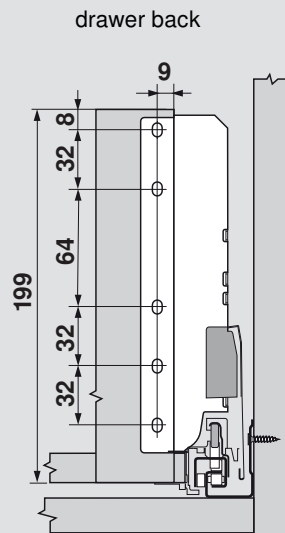


Front fixing bracket installation



*Pre-boring dimensions for INSERTA and EXPANDO only, for screw-on pre-bore $\text{Ø}2 \times 2.5$

Rear fixing bracket installation



TANDEMBOX M height – interior roll-out

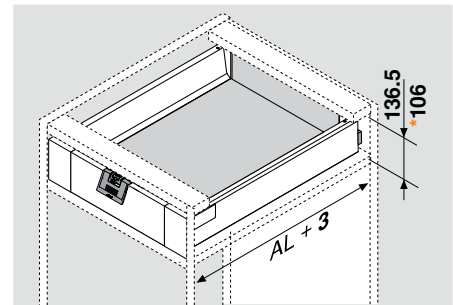
Application



Description

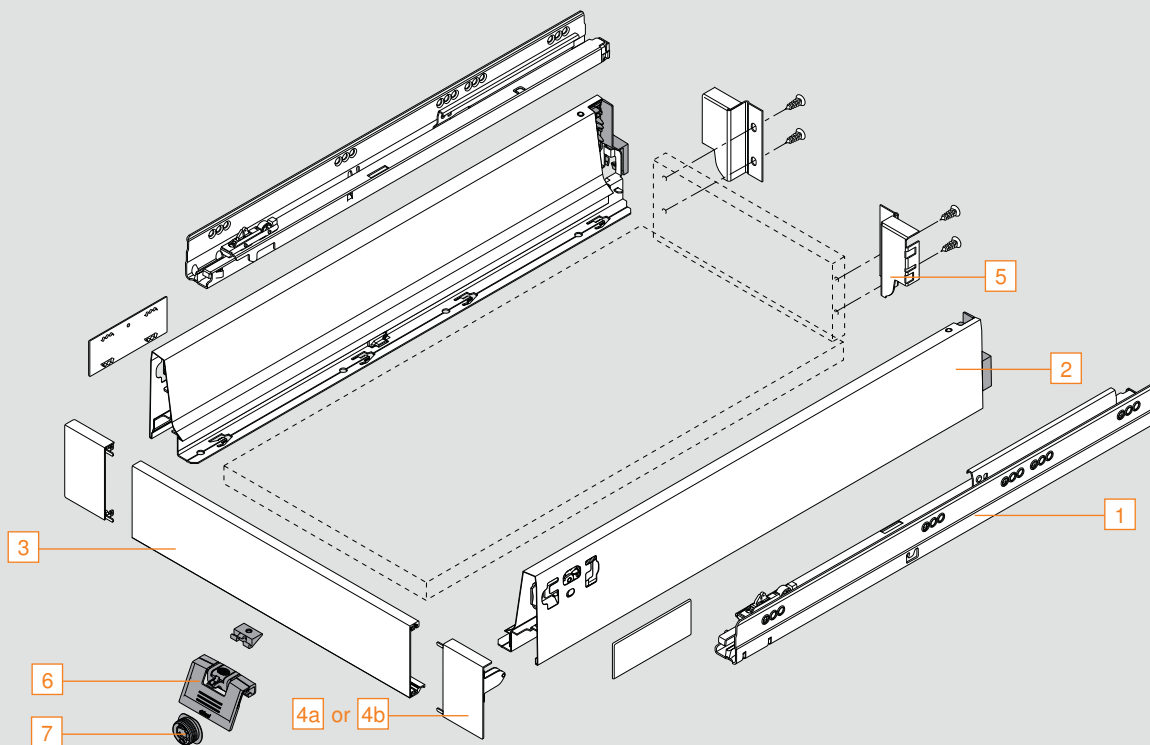
- Full extension drawer system with BLUMOTION
- TANDEM smooth running mechanism
- Two-dimensional drawer front adjustment
- Dynamic load capacity of 75 lb and 150 lb
- Drawer side height **84** (3-5/16")

Space requirements



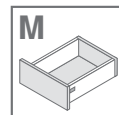
AL = actual cabinet profile length
 *Minimum opening with handle and 3 (1/8") clearance

Components



NOTE: Parts identified on right page

Required parts

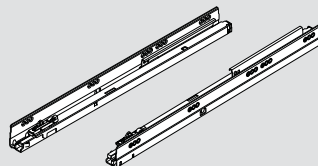


Cabinet and drawer profile sets

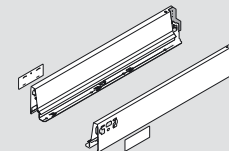
Sets include:

- Left and right profiles
- Drawer profile includes color coordinated cover caps

1 cabinet profile



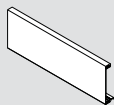
2 drawer profile



nominal length	actual cabinet profile length	75 lb		150 lb		gray	stainless steel
		Part no.	Part no.	Part no.	Part no.	Part no.	Part no.
11"	270 (10-5/8")	558.2701B				358M2702SA	358M2702IA
14"	350 (13-3/4")	558.3501B				358M3502SA	358M3502IA
16"	400 (15-3/4")	558.4001B				358M4002SA	358M4002IA
18"	450 (17-11/16")	558.4501B		556.4501B		358M4502SA	358M4502IA
20"	500 (19-11/16")	558.5001B		556.5001B		358M5002SA	358M5002IA
22"	550 (21-5/8")	558.5501B		556.5501B		358M5502SA	358M5502IA
24"	600 (23-5/8")			556.6001B		359M6002SA	359M6002IA
26"	650 (25-9/16")			556.6501B		359M6502SA	359M6502IA
Installation wood screw			707N	707N		612TH	612TH
Installation system screw			661.1300.HG	661.1300.HG			

Front piece

3



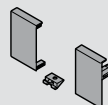
- Length **1036** (40-13/16"), cut to size
- Colors: gray and nickel

Part no.

Front piece **Z31L1036A**

Front fixing bracket set - nylon

4a



Set includes:

- Left and right bracket
- Bottom support
- Colors: gray or dust gray

Part no.

Nylon bracket set **ZIF.71M0**

Rear fixing bracket set

5



Set includes:

- Left and right bracket
- Colors: gray and nickel

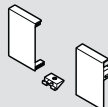
Part no.

Rear fixing bracket set **Z30M000S.04**

Installation screw **612TH**

Front fixing bracket set - metal

4b



Set includes:

- Left and right bracket
- Bottom support
- Colors: nickel

Part no.

Metal bracket set **ZIF.80M0.01**

Interior front handle

6



Color: dust gray

Part no.

Interior front handle **ZIF.80M5**

Interior front handle with latch

7



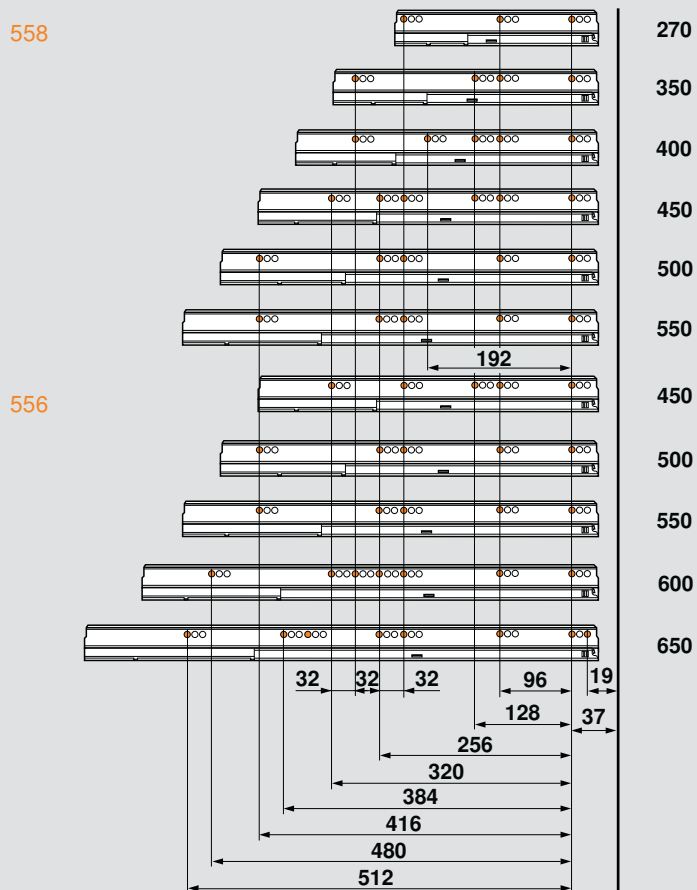
Color: dust gray

Part no.

Handle with latch **ZIF.80M7**

TANDEMBOX M height – interior roll-out

Cabinet profile installation



NOTE: Recommended screw locations in orange (system screws or #7 wood screws)

Cutting dimensions for bottom and back

Drawer bottom

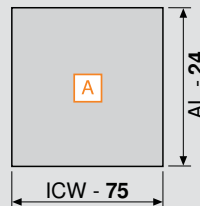
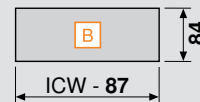
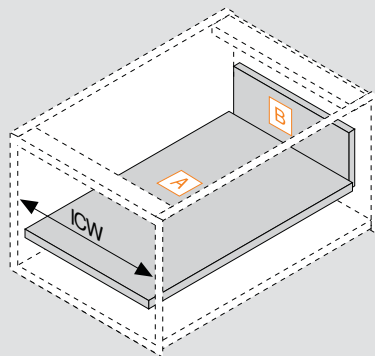
Width = opening width minus **75** (2-15/16")

Length = actual cabinet profile length minus **24** (15/16")

Drawer back

Width = opening width minus **87** (3-7/16")

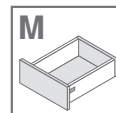
Height = **84** (3-5/16")



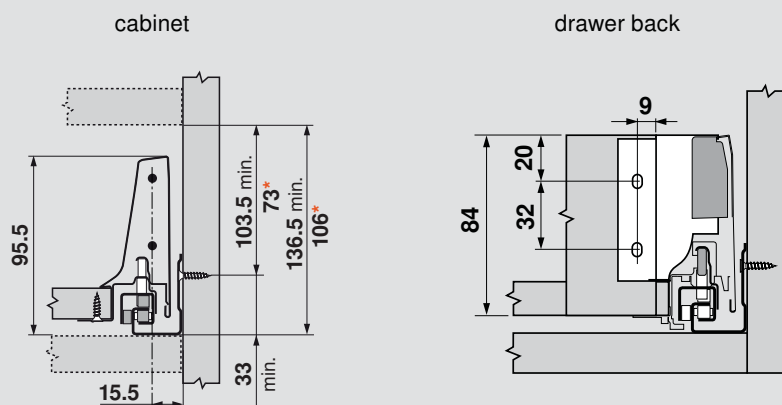
AL = actual cabinet profile length

ICW = opening width

NOTE: Use **16** (5/8") material for bottom and back

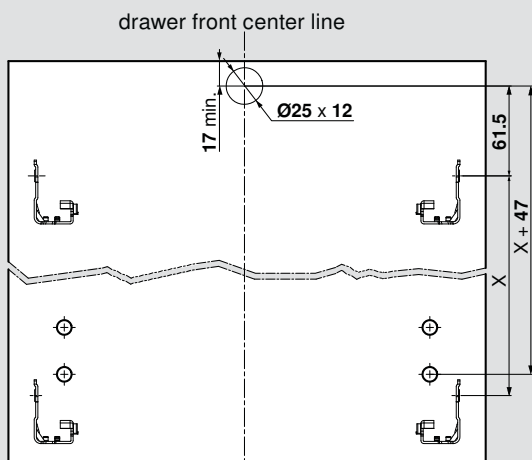


Rear fixing bracket installation



*measurement for use with handle (ZIF.80M5)

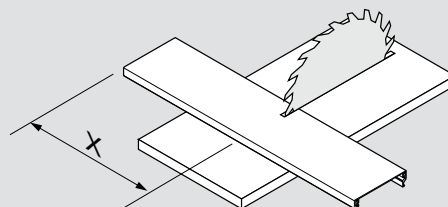
Front boring dimensions for interior front handle



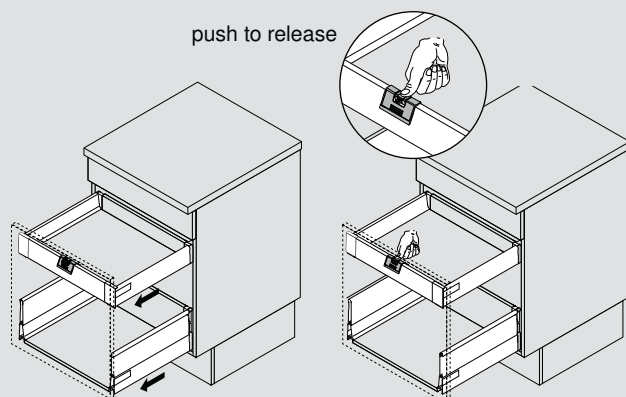
Cutting front piece

Using a metal cutting blade, cut front piece to size.

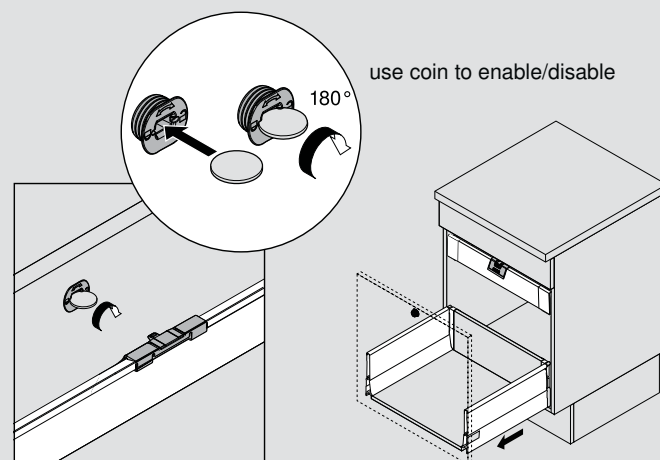
X = opening width minus 132 (5-3/16")



Operation with interior front handle enabled



Enable/disable interior front handle



TANDEMBOX D height – interior roll-out with single gallery

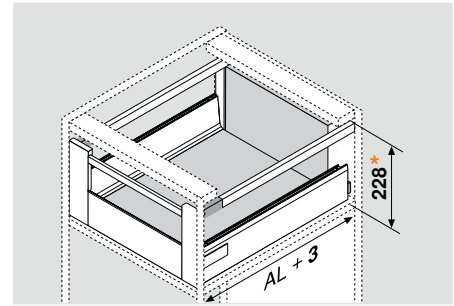
Application



Description

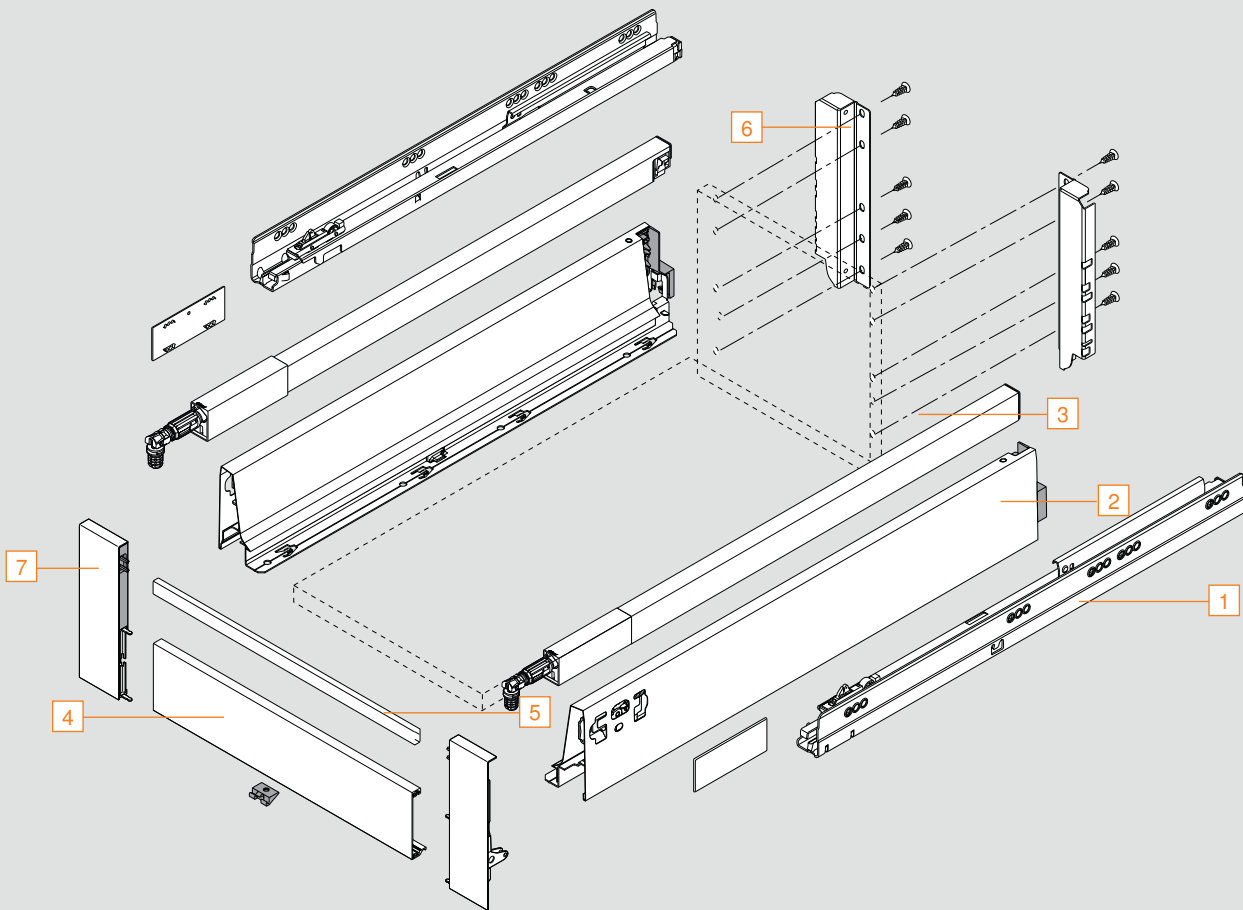
- Full extension drawer system with BLUMOTION
- TANDEM smooth running mechanism
- Three-dimensional drawer front adjustment
- Dynamic load capacity of 75 lb and 150 lb
- Drawer side height **207** (8-1/8")

Space requirements



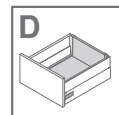
AL = actual cabinet profile length
 *Minimum opening height based on 3 (1/8") clearance

Components



NOTE: Parts identified on right page

Required parts

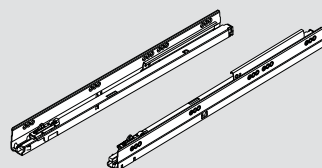


Cabinet and drawer profile sets

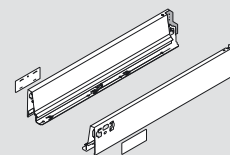
Sets include:

- Left and right profiles
- Drawer profile includes color coordinated cover caps

1 cabinet profile



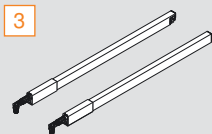
2 drawer profile



nominal length	actual cabinet profile length	cabinet profile		drawer profile	
		75 lb	150 lb	gray	stainless steel
16"	400 (15-3/4")	558.4001B		358M4002SA	358M4002IA
18"	450 (17-11/16")	558.4501B	556.4501B	358M4502SA	358M4502IA
20"	500 (19-11/16")	558.5001B	556.5001B	358M5002SA	358M5002IA
22"	550 (21-5/8")	558.5501B	556.5501B	358M5502SA	358M5502IA
24"	600 (23-5/8")		556.6001B	359M6002SA	359M6002IA
26"	650 (25-9/16")		556.6501B	359M6502SA	359M6502IA
Installation wood screw		707N	707N	612TH	612TH
Installation system screw		661.1300.HG	661.1300.HG		

Top gallery rail

3



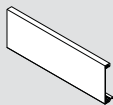
Set includes:

- Left and right gallery rails

actual cabinet profile length	color	
	gray	stainless steel
400 (15-3/4")	ZRG.337RSIC	ZRG.337RIIC
450 (17-11/16")	ZRG.387RSIC	ZRG.387RIIC
500 (19-11/16")	ZRG.437RSIC	ZRG.437RIIC
550 (21-5/8")	ZRG.487RSIC	ZRG.487RIIC
600 (23-5/8")	ZRG.537RSIC	ZRG.537RIIC
650 (25-9/16")	ZRG.587RSIC	ZRG.587RIIC

Front piece

4



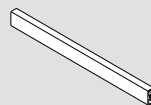
- Length **1036** (40-13/16"), cut to size
- Colors: gray or nickel

Part no.

Front piece **Z31L1036A**

Cross rail

5



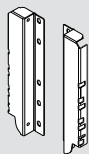
- Length **1046** (41-3/16"), cut to size
- Colors: gray or brushed nickel

Part no.

Cross rail **ZRG.1046Z**

Rear fixing bracket set

6



Set includes:

- Left and right bracket
- Color: gray or nickel

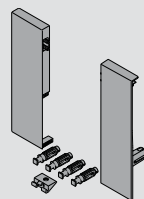
Part no.

Rear fixing bracket set **Z30D000SL**

Installation screw **612TH**

Front fixing bracket set - nylon

7



Set includes:

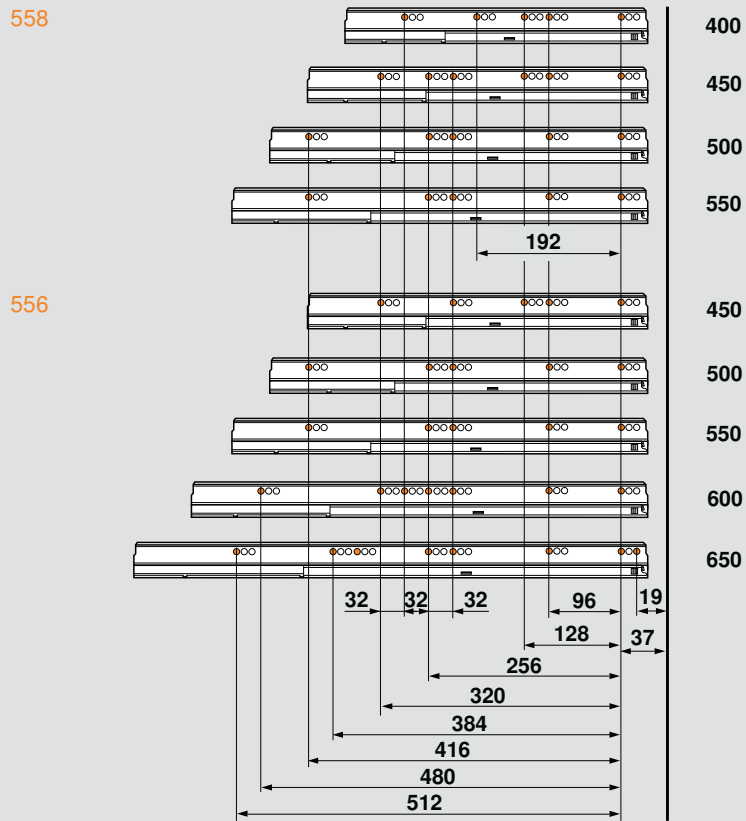
- Left and right bracket
- Bottom support
- Color: gray or dust gray

Part no.

Front fixing bracket set **ZIF.75D0.U5**

TANDEMBOX D height – interior roll-out with single gallery

Cabinet profile installation



NOTE: Recommended screw locations in orange (system screws or #7 wood screws)

Cutting dimensions for bottom and back

Drawer bottom

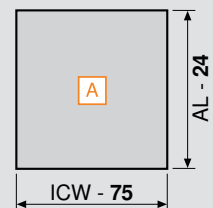
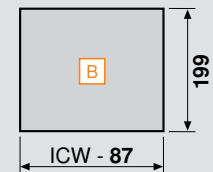
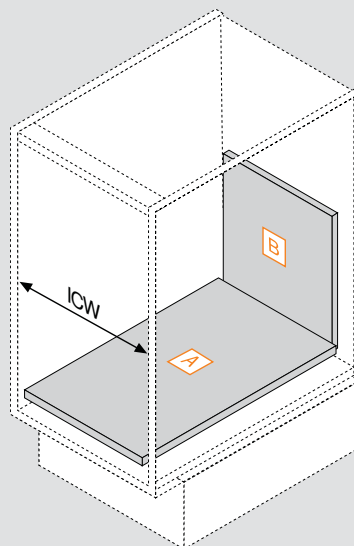
Width = opening width minus **75** (2-15/16")

Length = actual cabinet profile length minus **24** (15/16")

Drawer back

Width = opening width minus **87** (3-7/16")

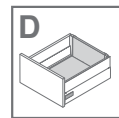
Height = **199** (7-13/16")



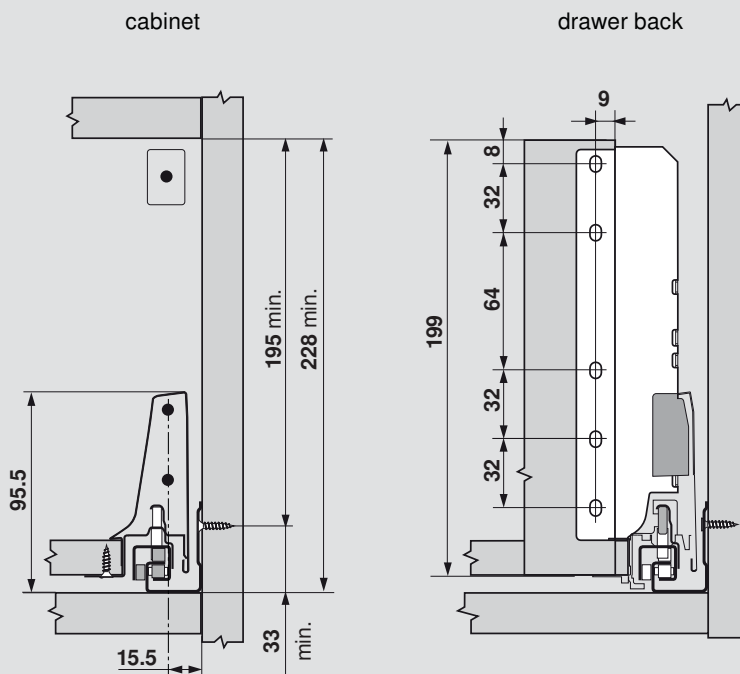
AL = actual cabinet profile length

ICW = opening width

NOTE: Use **16** (5/8") material for bottom and back



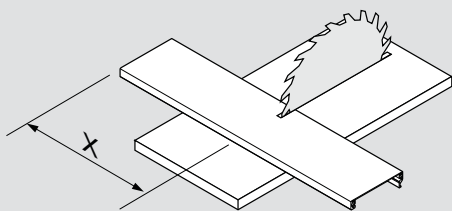
Front fixing bracket installation



Cutting front piece

Using metal cutting blade, cut front piece to size.

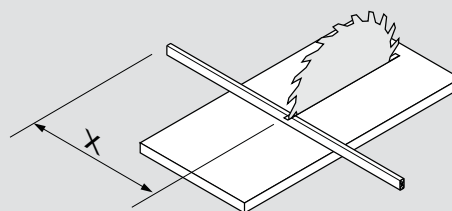
X = opening width minus **132** (5-3/16")



Cutting cross rail

Using metal cutting blade, cut cross rail to size.

X = opening width minus **122** (4-13/16")



TANDEMBOX D height – interior roll-out with double gallery

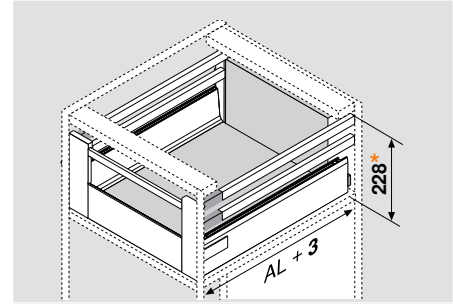
Application



Description

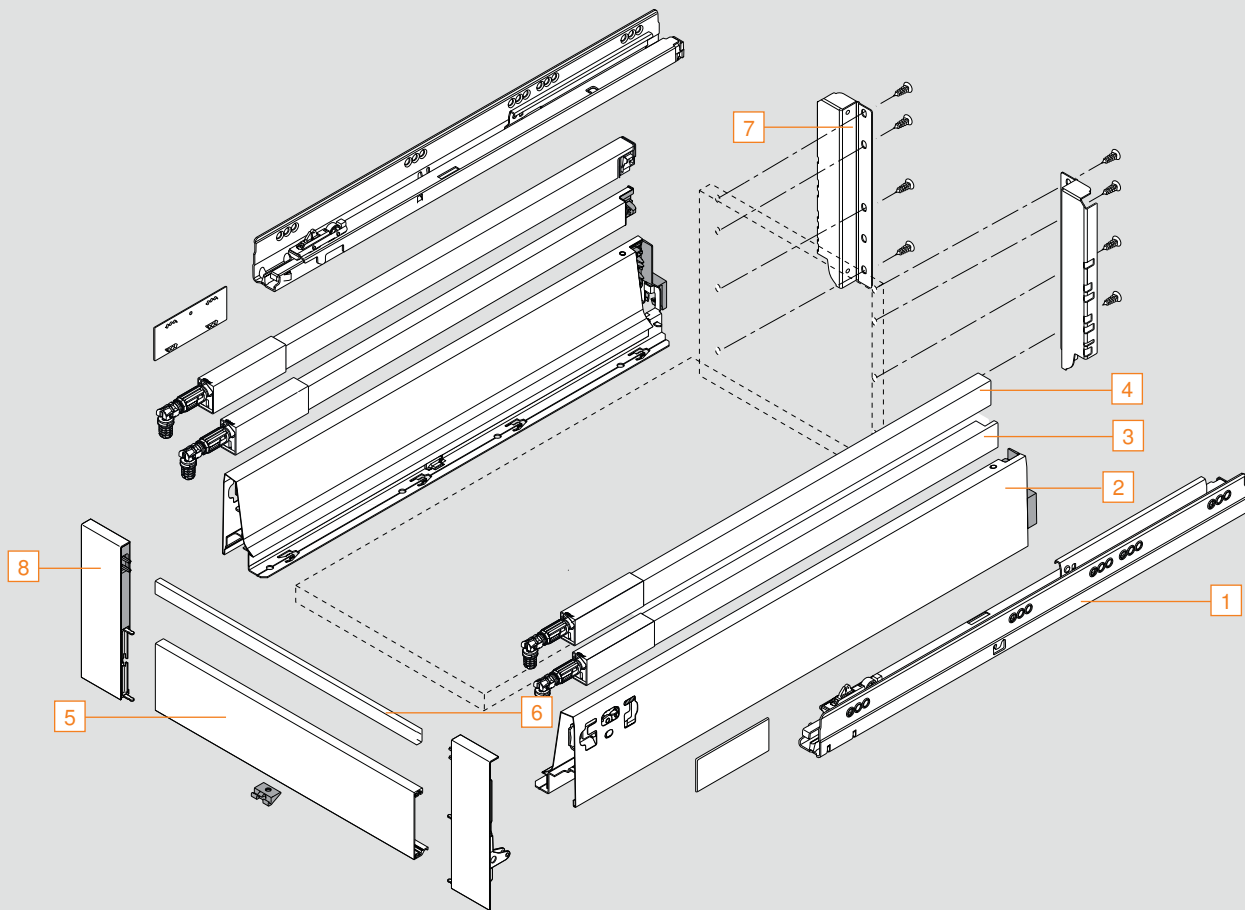
- Full extension drawer system with BLUMOTION
- TANDEM smooth running mechanism
- Three-dimensional drawer front adjustment
- Dynamic load capacity of 75 lb and 150 lb
- Drawer side height **207** (8-1/8")

Space requirements



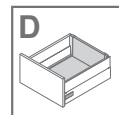
AL = actual cabinet profile length
 *Minimum opening height based on 3 (1/8") clearance

Components



NOTE: Parts identified on right page

Required parts

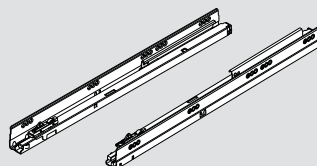


Cabinet and drawer profile sets

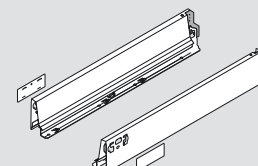
Sets include:

- Left and right profiles
- Drawer profile includes color coordinated cover caps

1 cabinet profile



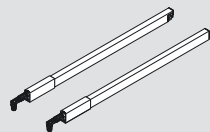
2 drawer profile



nominal length	actual cabinet profile length	75 lb		150 lb		gray		stainless steel	
		Part no.	Part no.	Part no.	Part no.	Part no.	Part no.	Part no.	Part no.
16"	400 (15-3/4")	558.4001B				358M4002SA			358M4002IA
18"	450 (17-11/16")	558.4501B		556.4501B		358M4502SA			358M4502IA
20"	500 (19-11/16")	558.5001B		556.5001B		358M5002SA			358M5002IA
22"	550 (21-5/8")	558.5501B		556.5501B		358M5502SA			358M5502IA
Installation wood screw			707N		707N		612TH		612TH
Installation system screw			661.1300.HG		661.1300.HG				

Top gallery rail

3



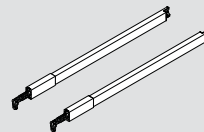
Set includes:

- Left and right gallery rails

actual cabinet profile length	gray		stainless steel	
	Part no.	Part no.	Part no.	Part no.
400 (15-3/4")	ZRG.337RSIC		ZRG.337RIIC	
450 (17-11/16")	ZRG.387RSIC		ZRG.387RIIC	
500 (19-11/16")	ZRG.437RSIC		ZRG.437RIIC	
550 (21-5/8")	ZRG.487RSIC		ZRG.487RIIC	

Center gallery rail

4



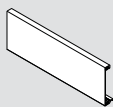
Set includes:

- Left and right gallery rails

actual cabinet profile length	gray		stainless steel	
	Part no.	Part no.	Part no.	Part no.
400 (15-3/4")	ZRG.337RSIE		ZRG.337RIIE	
450 (17-11/16")	ZRG.387RSIE		ZRG.387RIIE	
500 (19-11/16")	ZRG.437RSIE		ZRG.437RIIE	
550 (21-5/8")	ZRG.487RSIE		ZRG.487RIIE	

Front piece

5

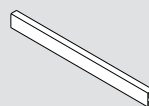


- Length **1036** (40-13/16"), cut to size
- Colors: gray or nickel

Part no.	
Front piece	Z31L1036A

Cross rail

6

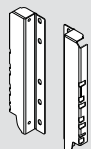


- Length **1046** (41-3/16"), cut to size
- Colors: gray or nickel

Part no.	
Cross rail	ZRG.1046Z

Rear fixing bracket set

7



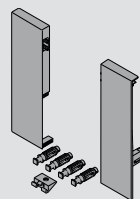
Set includes:

- Left and right bracket
- Color: gray or nickel

Part no.	
Rear fixing bracket set	Z30D000SL
Installation screw	612TH

Front fixing bracket set - nylon

8



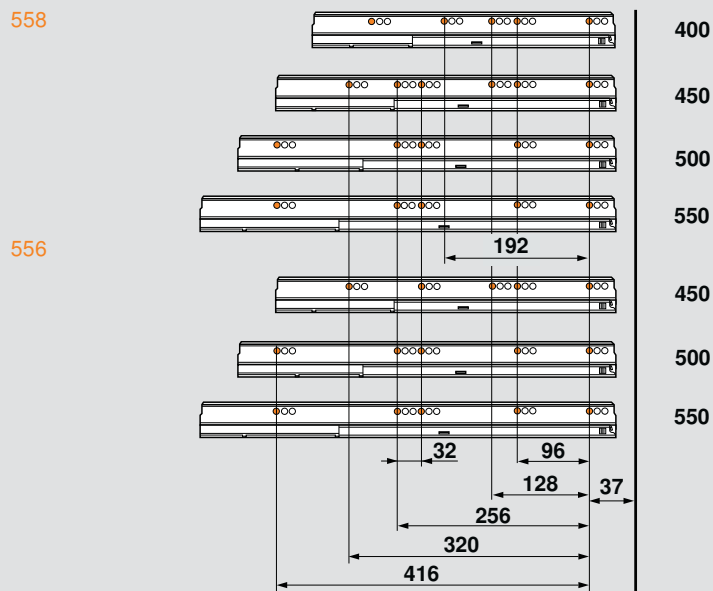
Set includes:

- Left and right bracket
- Bottom support
- Color: gray or dust gray

Part no.	
Front fixing bracket set	ZIF.75D0.US

TANDEMBOX D height – interior roll-out with double gallery

Cabinet profile installation



NOTE: Recommended screw locations in orange (system screws or #7 wood screws)

Cutting dimensions for bottom and back

Drawer bottom

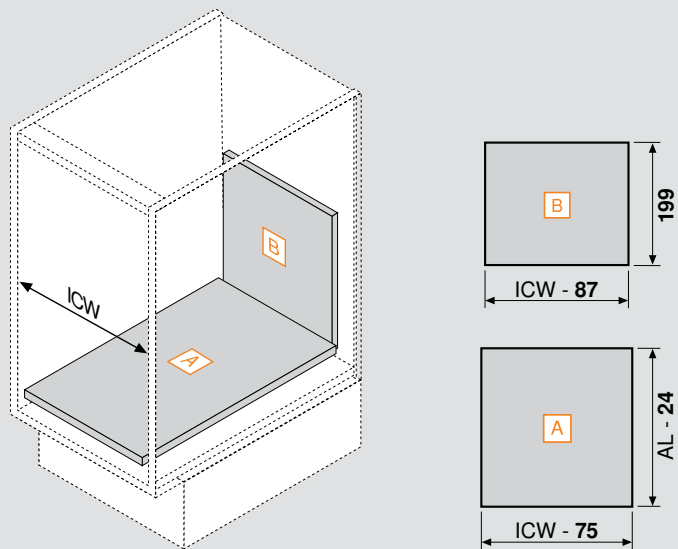
Width = opening width minus **75** (2-15/16")

Length = actual cabinet profile length minus **24** (15/16")

Drawer back

Width = opening width minus **87** (3-7/16")

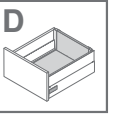
Height = **199** (7-13/16")



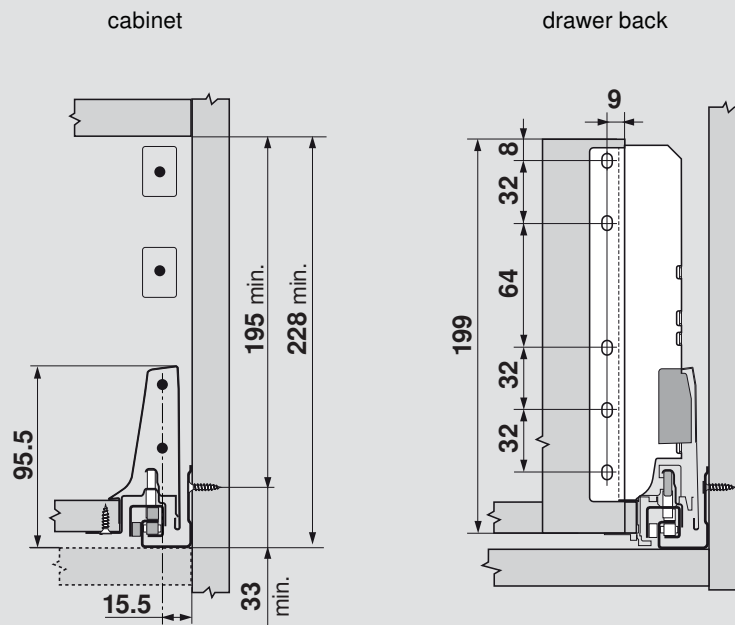
AL = actual cabinet profile length

ICW = opening width

NOTE: Use **16** (5/8") material for bottom and back



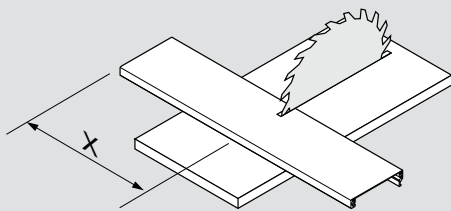
Front fixing bracket installation



Cutting front piece

Using metal cutting blade, cut front piece to size.

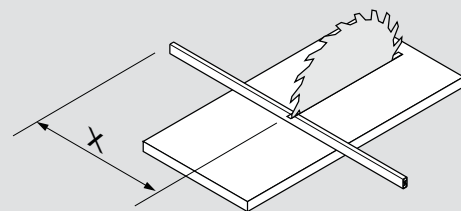
X = opening width minus **132** (5-3/16")



Cutting cross rail

Using metal cutting blade, cut cross rail to size.

X = opening width minus **122** (4-13/16")



TANDEMBOX D height – interior roll-out with design element

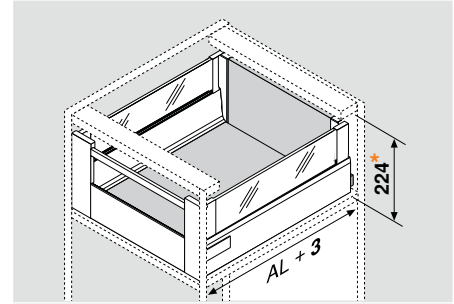
Application



Description

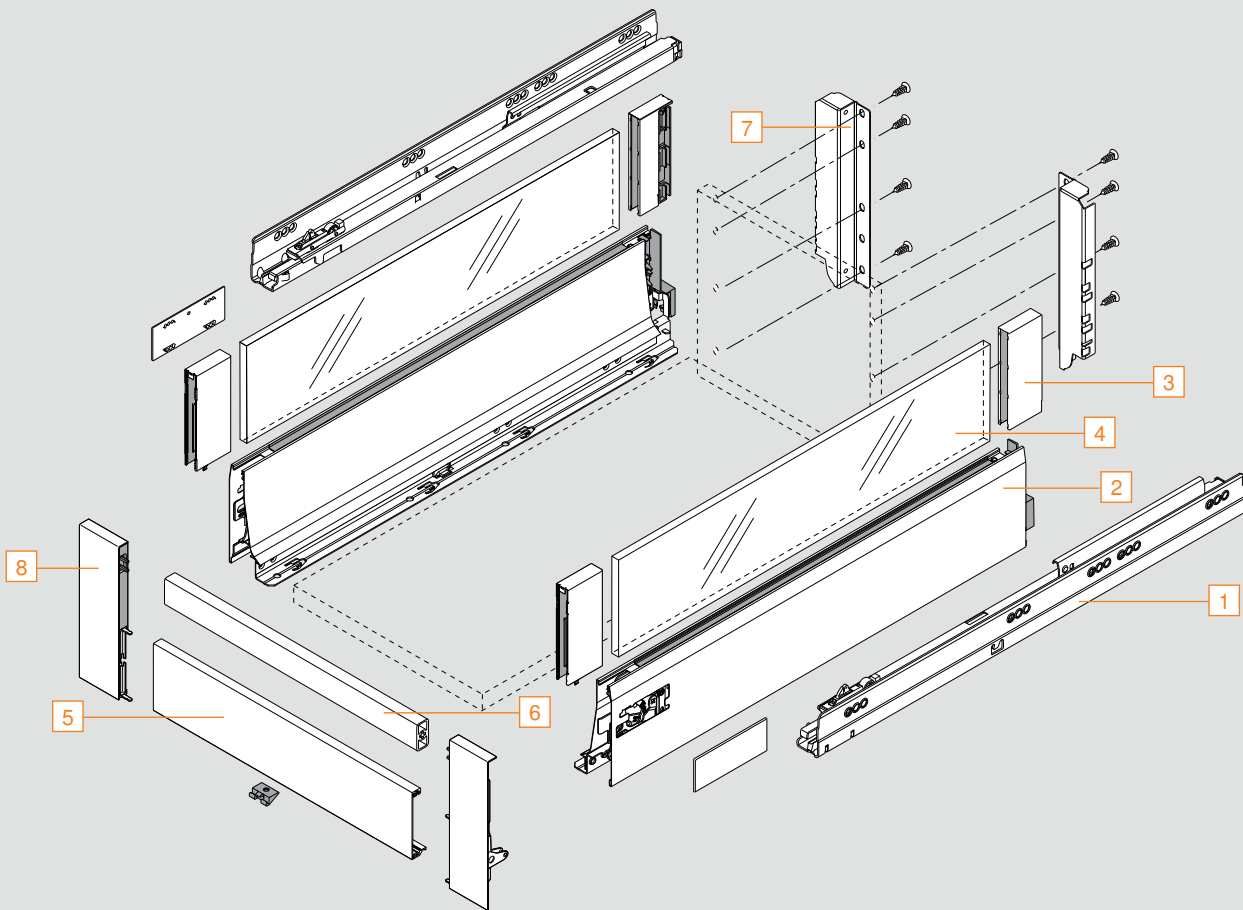
- Full extension drawer system with BLUMOTION
- TANDEM smooth running mechanism
- Three-dimensional drawer front adjustment
- Dynamic load capacity of 75 lb and 150 lb
- Drawer side height 203 (8")

Space requirements



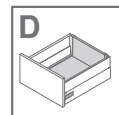
AL = actual cabinet profile length
 *Minimum opening height based on 3 (1/8") clearance

Components



NOTE: Parts identified on right page

Required parts

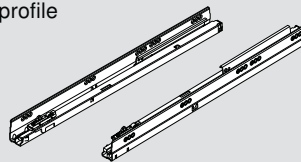


Cabinet and drawer profile sets

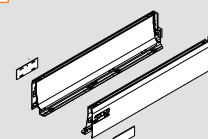
Sets include:

- Left and right profiles
- Drawer profile includes color coordinated cover caps

1 cabinet profile



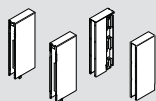
2 drawer profile



nominal length	actual cabinet profile length	75 lb		150 lb		stainless steel
		11"	270 (10-5/8")	558.2701B		
14"	350 (13-3/4")	558.3501B			358L3502IA2	
16"	400 (15-3/4")	558.4001B			358L4002IA2	
18"	450 (17-11/16")	558.4501B		556.4501B	358L4502IA2	
20"	500 (19-11/16")	558.5001B		556.5001B	358L5002IA2	
22"	550 (21-5/8")	558.5501B		556.5501B	358L5502IA2	
24"	600 (23-5/8")			556.6001B	359L6002IA2	
26"	650 (25-9/16")			556.6501B	359L6502IA2	
Installation wood screw		707N	707N	707N	612TH	
Installation system screw		661.1300.HG	661.1300.HG	661.1300.HG		

BOXCOVER set

3



Set includes:

- Front and rear BOXCOVERS
- Color: stainless steel

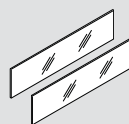
Part no.

BOXCOVER set

Z36L002G.I

Design element

4



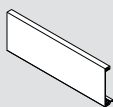
Set includes:

- Left and right design element
- 8 mm thick tempered glass
- Frosted finish

nominal length	actual cab. profile length	frosted glass
11"	270 (10-5/8")	Z37G210D.US
14"	350 (13-3/4")	Z37G290D.US
16"	400 (15-3/4")	Z37G340D.US
18"	450 (17-11/16")	Z37G390D.US
20"	500 (19-11/16")	Z37G440D.US
22"	550 (21-5/8")	Z37G490D.US
24"	600 (23-5/8")	Z37G540D.US
26"	650 (25-9/16")	Z37G590D.US

Front piece

5



- Length **1036** (40-13/16"), cut to size
- Colors: nickel

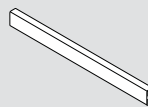
Part no.

Front piece

Z31L1036A

Cross rail

6



- Length **1046** (41-3/16"), cut to size
- Colors: nickel

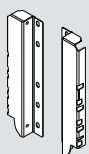
Part no.

Cross rail

ZRG.1046Z

Rear fixing bracket set

7



Set includes:

- Left and right bracket
- Color: nickel

Part no.

Rear fixing bracket set

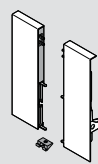
Z30D000SL

Installation screw

612TH

Front fixing bracket set – metal

8



Set includes:

- Left and right bracket
- Bottom support
- Color: nickel

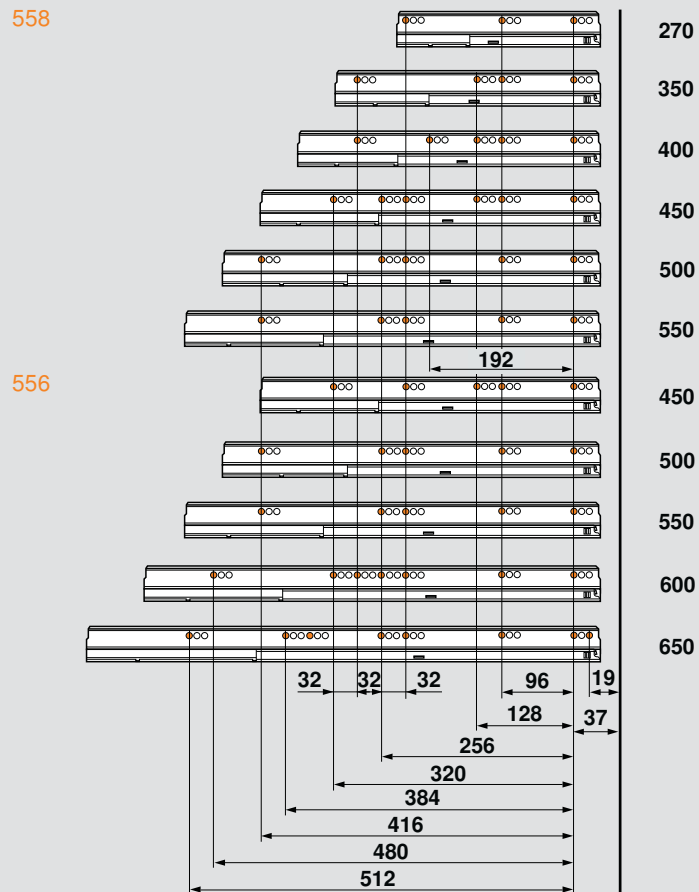
Part no.

Front fixing bracket set

ZIF.82D0.01

TANDEMBOX D height – interior roll-out with design element

Cabinet profile installation



NOTE: Recommended screw locations in orange (system screws or #7 wood screws)

Cutting dimensions for bottom and back

Drawer bottom

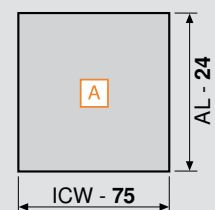
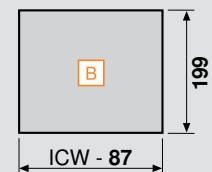
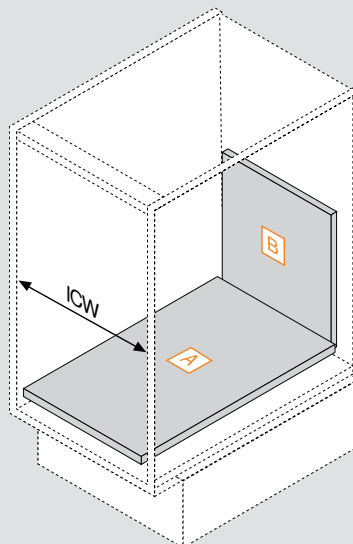
Width = opening width minus **75** (2-15/16")

Length = actual cabinet profile length minus **24** (15/16")

Drawer back

Width = opening width minus **87** (3-7/16")

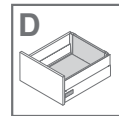
Height = **199** (7-13/16")



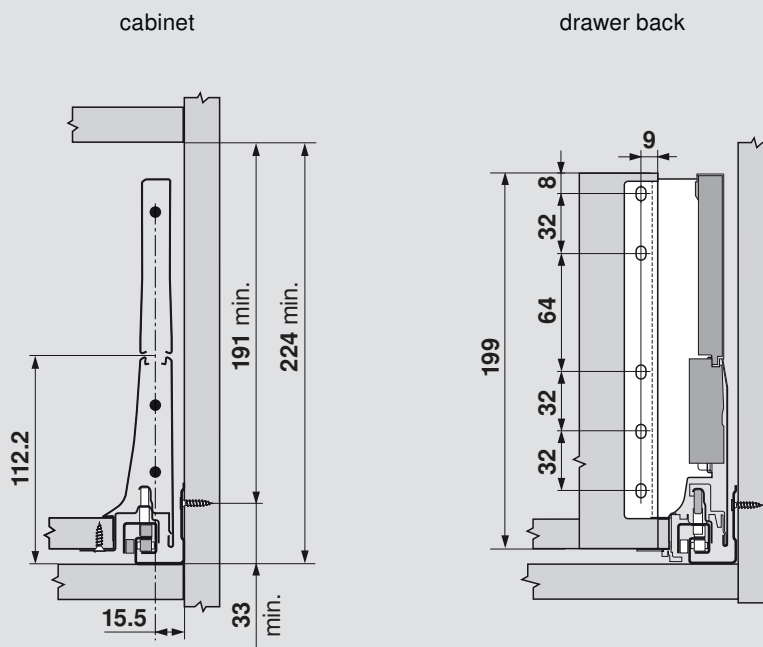
AL = actual cabinet profile length

ICW = opening width

NOTE: Use **16** (5/8") material for bottom and back



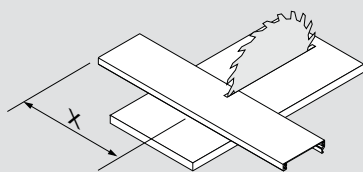
Front fixing bracket installation



Cutting front piece

Using metal cutting blade, cut front piece to size.

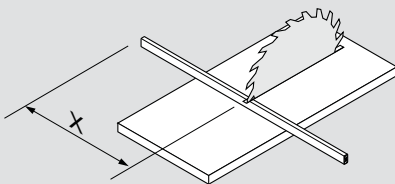
$X = \text{opening width minus } 132 \text{ (5-3/16")}$



Cutting cross rail

Using metal cutting blade, cut cross rail to size.

$X = \text{opening width minus } 122 \text{ (4-13/16")}$



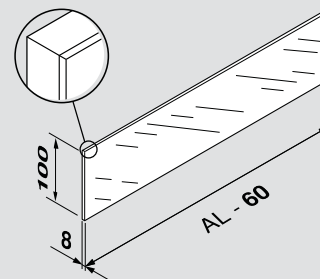
Design element dimensions

Specifications for custom design element

Thickness = 8 mm (+0.3/-0.3)

Length = actual cabinet profile length minus 60 mm

Height = 100 mm (+0/-1)



AL = actual cabinet profile length

TANDEMBOX D height – interior roll-out with BOXCAP

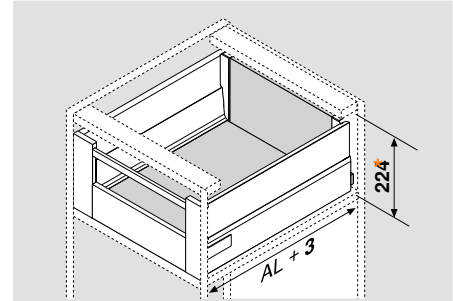
Application



Description

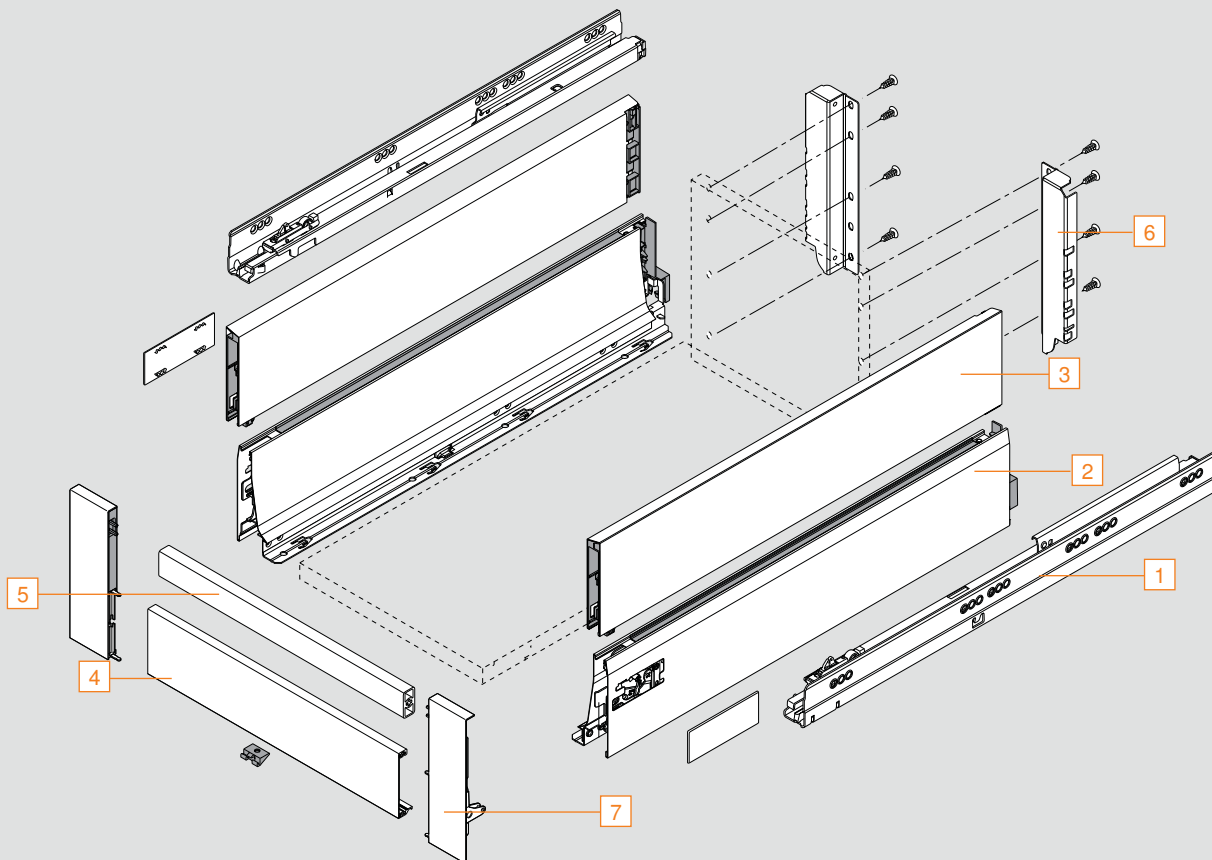
- Full extension drawer system with BLUMOTION
- TANDEM smooth running mechanism
- Three-dimensional drawer front adjustment
- Dynamic load capacity of 75 lb and 150 lb
- Drawer side height 201 (7-15/16")

Space requirements



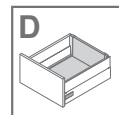
AL = actual cabinet profile length
 *Minimum opening height based on 3 (1/8") clearance

Components



NOTE: Parts identified on right page

Required parts

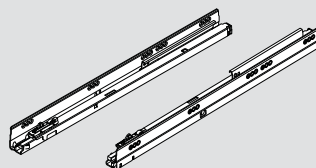


Cabinet and drawer profile sets

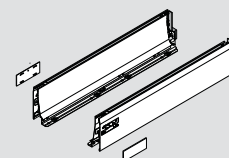
Sets include:

- Left and right profiles
- Drawer profile includes color coordinated cover caps

1 cabinet profile



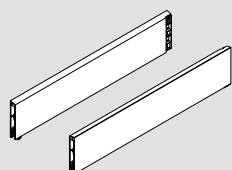
2 drawer profile



nominal length	actual cabinet profile length	weight		stainless steel
		75 lb	150 lb	
11"	270 (10-5/8")	558.2701B		358L2702IA2
14"	350 (13-3/4")	558.3501B		358L3502IA2
16"	400 (15-3/4")	558.4001B		358L4002IA2
18"	450 (17-11/16")	558.4501B	556.4501B	358L4502IA2
20"	500 (19-11/16")	558.5001B	556.5001B	358L5002IA2
22"	550 (21-5/8")	558.5501B	556.5501B	358L5502IA2
24"	600 (23-5/8")		556.6001B	359L6002IA2
26"	650 (25-9/16")		556.6501B	359L6502IA2
Installation wood screw		707N	707N	612TH
Installation system screw		661.1300.HG	661.1300.HG	

BOXCAP set

3



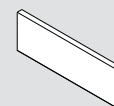
Set includes:

- Left and right BOXCAP
- Color: stainless steel

nominal length	actual cabinet profile length	stainless steel
11"	270 (10-5/8")	Z37L260I.D
14"	350 (13-3/4")	Z37L340I.D
16"	400 (15-3/4")	Z37L390I.D
18"	450 (17-11/16")	Z37L440I.D
20"	500 (19-11/16")	Z37L490I.D
22"	550 (21-5/8")	Z37L540I.D
24"	600 (23-5/8")	Z37L590I.D
26"	650 (25-9/16")	Z37L640I.D

Front piece

4



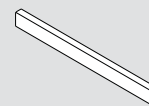
- Length 1036 (40-13/16"), cut to size
- Color: nickel

Part no.

Z31L1036A

Cross rail

5



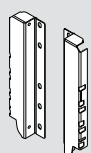
- Length 1046 (41-3/16"), cut to size
- Color: nickel

Part no.

ZRG.1046Z

Rear fixing bracket set

6



Set includes:

- Left and right bracket
- Color: nickel

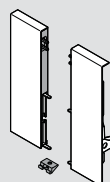
Part no.

Rear fixing bracket set Z30D000SL

Installation screw 612TH

Front fixing bracket set – metal

7



Set includes:

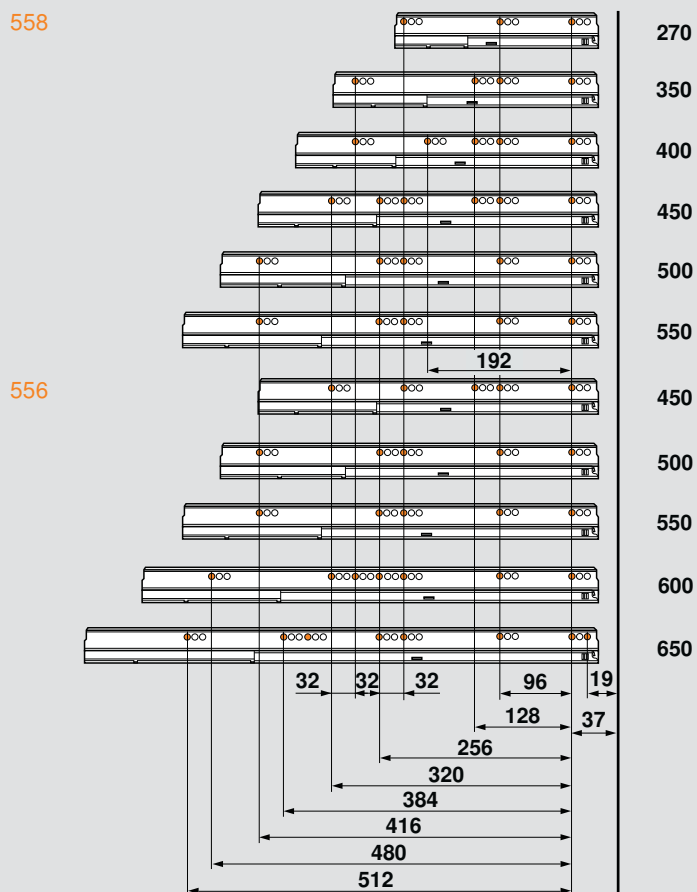
- Left and right bracket
- Bottom support
- Color: nickel

Part no.

Front fixing bracket set ZIF.82D0.01

TANDEMBOX D height – interior roll-out with BOXCAP

Cabinet profile installation



NOTE: Recommended screw locations in orange (system screws or #7 wood screws)

Cutting dimensions for bottom and back

Drawer bottom

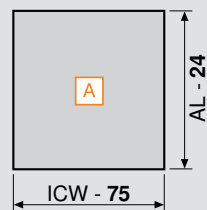
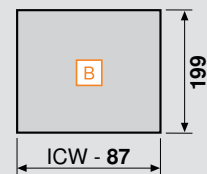
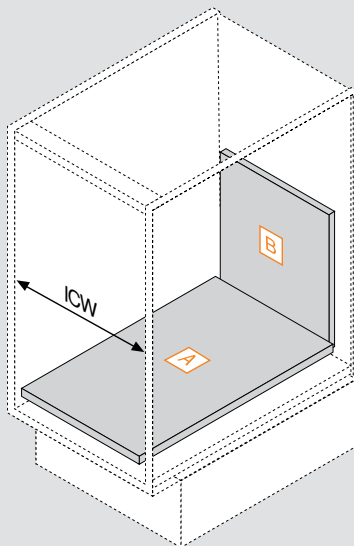
Width = opening width minus **75** (2-15/16")

Length = actual cabinet profile length minus **24** (15/16")

Drawer back

Width = opening width minus **87** (3-7/16")

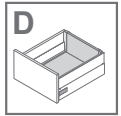
Height = **199** (7-13/16")



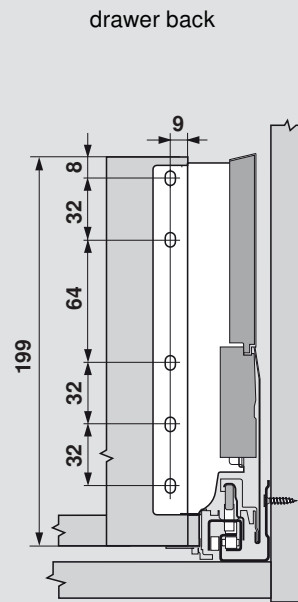
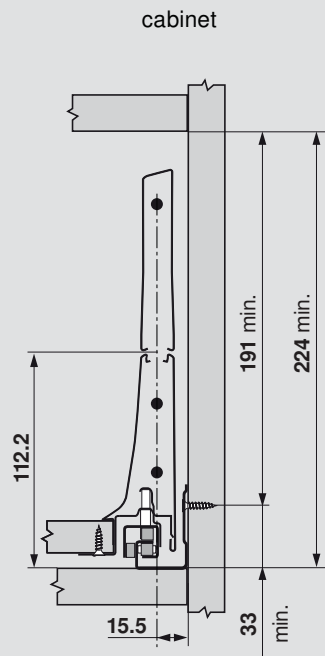
AL = actual cabinet profile length

ICW = opening width

NOTE: Use **16** (5/8") material for bottom and back



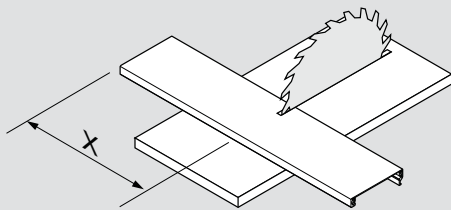
Front fixing bracket installation



Cutting front piece

Using metal cutting blade, cut front piece to size.

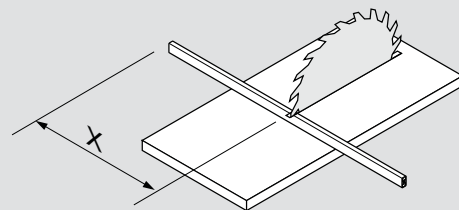
X = opening width minus **132** (5-3/16")



Cutting cross rail

Using metal cutting blade, cut cross rail to size.

X = opening width minus **122** (4-13/16")



TANDEMBOX M height – SPACE CORNER

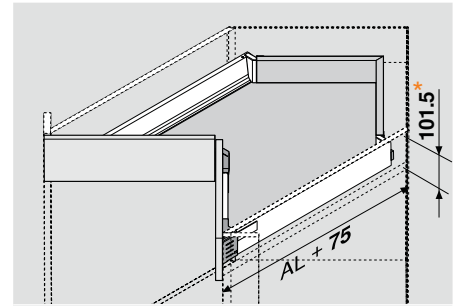
Application



Description

- Full extension drawer system with BLUMOTION
- TANDEM smooth running mechanism
- Two-dimensional drawer front adjustment
- Dynamic load capacity of 150 lb

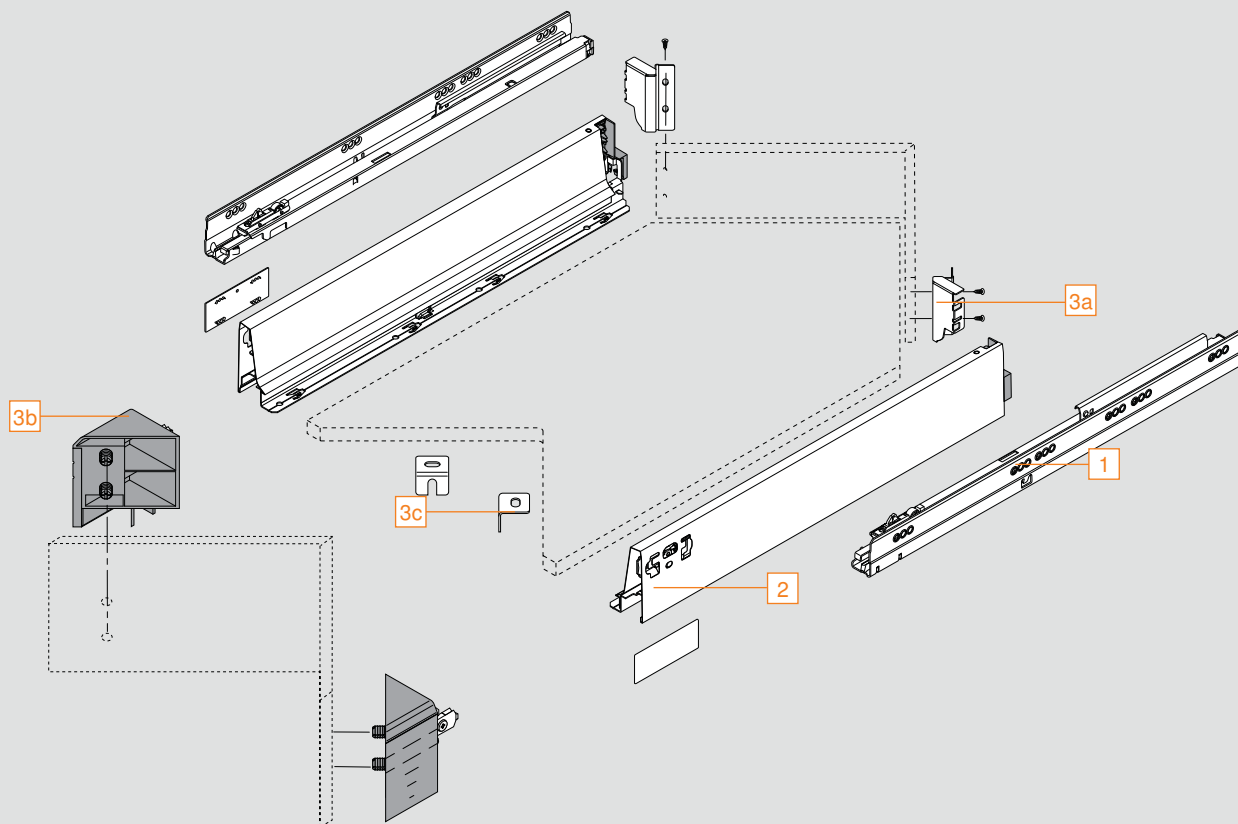
Space requirements



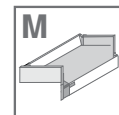
AL = actual cabinet profile length
 *Minimum opening height based on 3 (1/8") clearance

Components

SPACE CORNER



Required parts

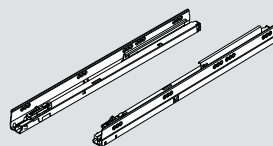


Cabinet and drawer profile sets

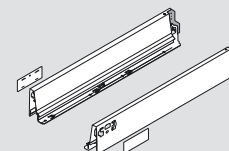
Sets include:

- Left and right profiles
- Drawer profile includes color coordinated cover caps

1 cabinet profile



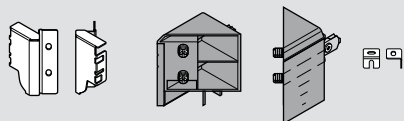
2 drawer profile



nominal length	actual cabinet profile length	150 lb		
		gray	stainless steel	
24"	600 (23-5/8")	556.6001B	359M6002SA	359M6002IA
26"	650 (25-9/16")	556.6501B	359M6502SA	359M6502IA
Installation wood screw		707N	612TH	612TH
Installation system screw		661.1300.HG		

SPACE CORNER set – M height

3



Set includes:

- 3a Corner rear fixing bracket (qty 2)
- 3b Corner front piece (gray only) (qty 2)
- 3c Drawer front support bracket (qty 2)
- Rear fixing bracket color: gray or nickel

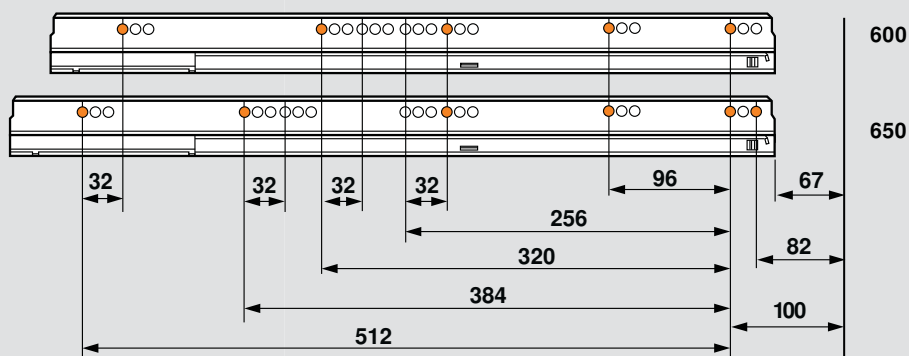
Part no.

SPACE CORNER set

ZSF.340E.M1

TANDEMBOX M height – SPACE CORNER

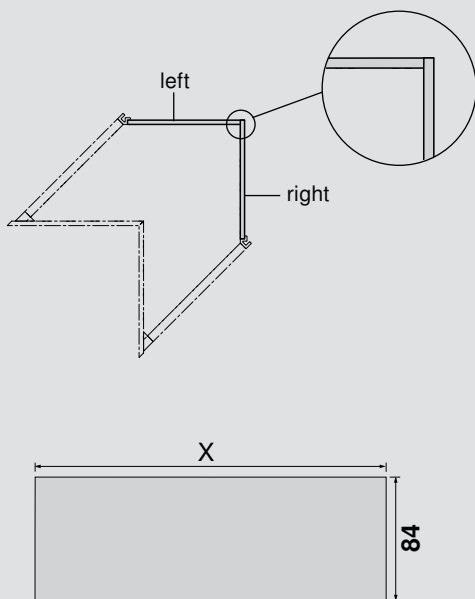
Cabinet profile installation



NOTE: Recommended screw locations in orange (system screws or #7 wood screws)

Drawer back cutting dimensions

Drawer back



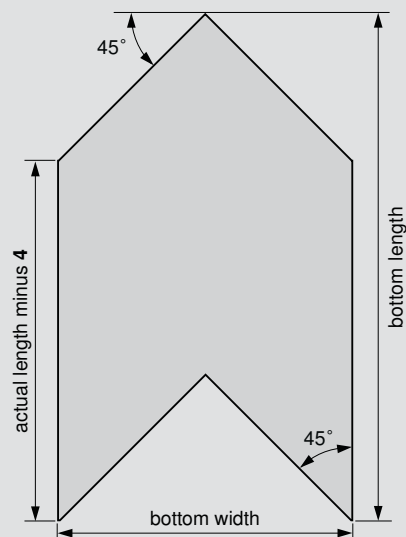
Calculating cutting of drawer backs

Right back piece	$X = \text{opening width minus } 75 \times 0.707$
Left back piece	$X = \text{right back piece length minus } 16$

Drawer bottom cutting dimensions

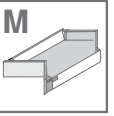
Bottom width = opening width minus 75 (2-15/16")

Bottom length = bottom width divided by two, plus actual cabinet profile length minus 4 (3/16")



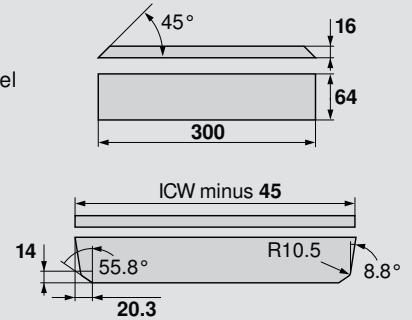
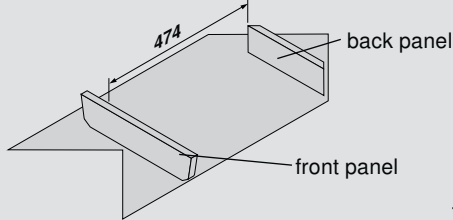
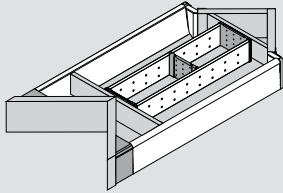
NOTE: Use 16 (5/8") material for bottom

Specifications



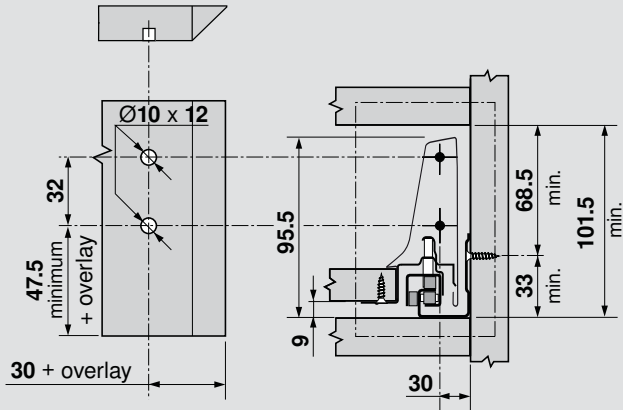
SPACE CORNER preparation for ORGA-LINE

In order to use ORGA-LINE in an M height SPACE CORNER, the drawer must be fitted with two vertical wooden cross dividers that are spaced **474** (18-11/16") apart.

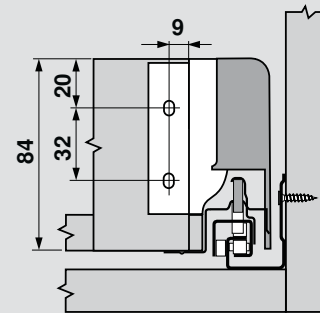
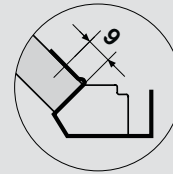


Front fixing bracket installation

EXPANDO



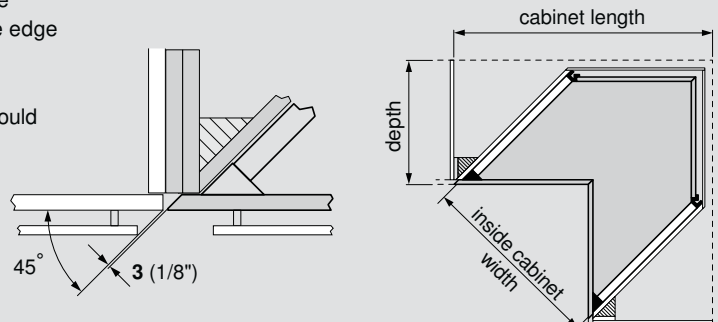
Corner rear fixing bracket installation



Cabinet measurements

A minimum clearance of **3 (1/8")** must be maintained between the opening path of the drawer front of the SPACE CORNER and the edge of the adjacent drawer front (including the drawer handle).

To facilitate this, the edge of the SPACE CORNER drawer fronts should be cut at a 45 degree angle.



TANDEMBOX D height single gallery – SPACE CORNER

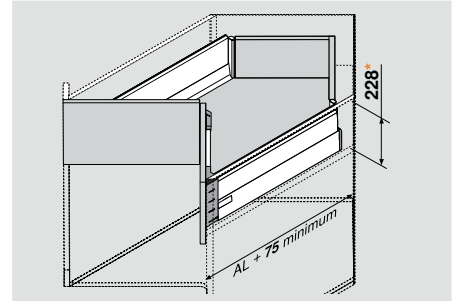
Application



Description

- Full extension drawer system with BLUMOTION
- TANDEM smooth running mechanism
- Three-dimensional drawer front adjustment
- Dynamic load capacity of 150 lb

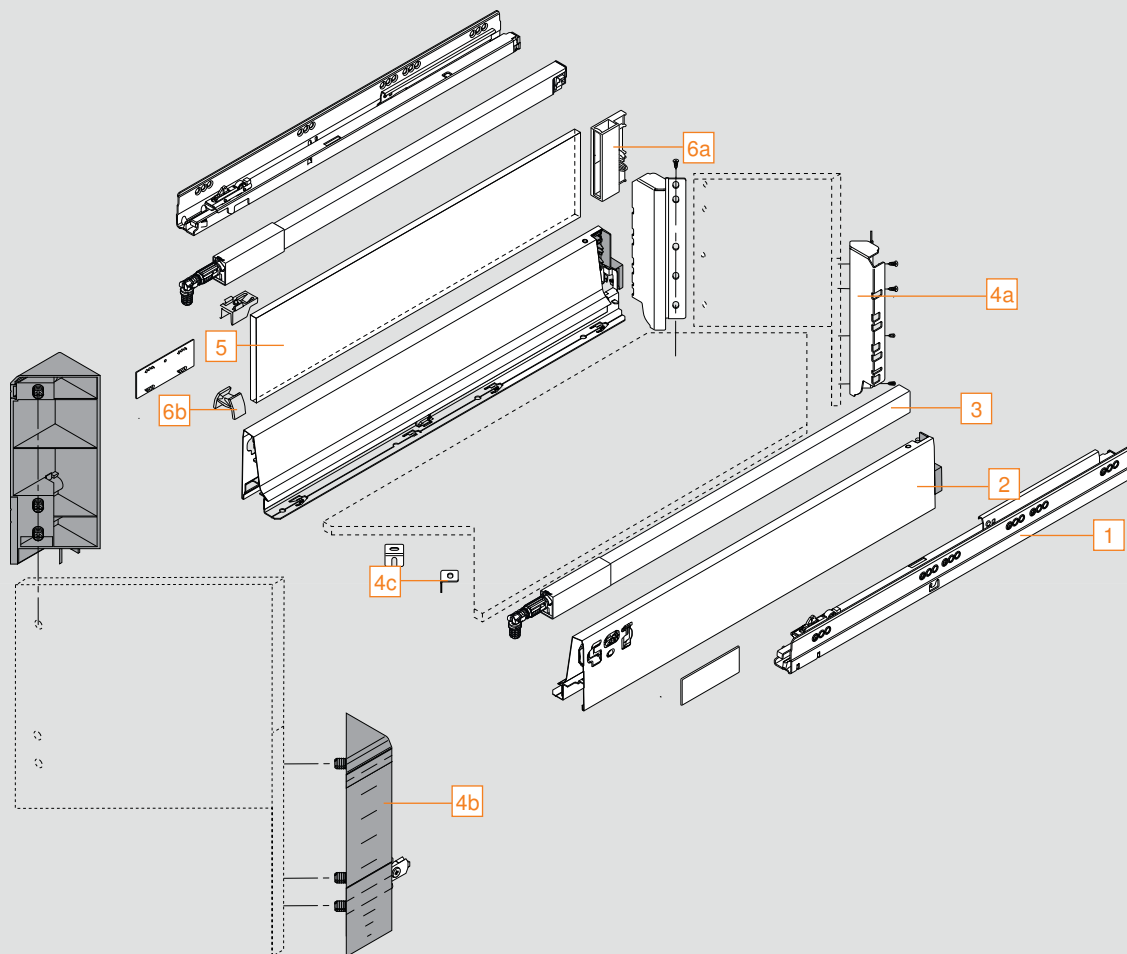
Space requirements



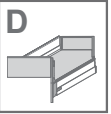
AL = actual cabinet profile length
 *Minimum opening height based on 3 (1/8") clearance

Components

SPACE CORNER



Required parts

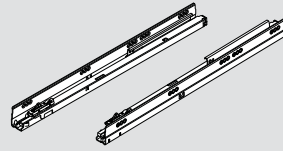


Cabinet and drawer profile sets

Sets include:

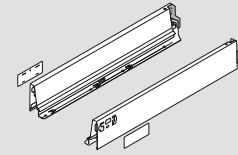
- Left and right profiles
- Drawer profile includes color coordinated cover caps

1 cabinet profile



150 lb

2 drawer profile



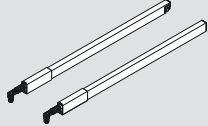
gray

stainless steel

nominal length	actual cabinet profile length			
24"	600 (23-5/8")	556.6001B	359M6002SA	359M6002IA
26"	650 (25-9/16")	556.6501B	359M6502SA	359M6502IA
Installation wood screw		707N	612TH	612TH
Installation system screw		661.1300.HG		

Top gallery rail

3



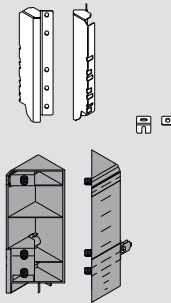
Set includes:

- Left and right gallery rails

actual cabinet profile length	gray	stainless steel
600 (23-5/8")	ZRG.537RSIC	ZRG.537RIIC
650 (25-9/16")	ZRG.587RSIC	ZRG.587RIIC

SPACE CORNER set – D height

4



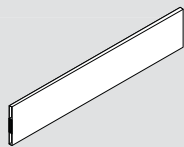
Set includes:

- 4a** Corner rear fixing bracket (qty 2)
- 4b** Corner front piece (qty 2)
- 4c** Drawer front support bracket (qty 2)
- Corner rear fixing bracket colors: gray or nickel

	Part no.
SPACE CORNER set	ZSF.345E.D1

Metal design element

5

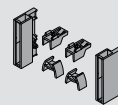


- Two required per drawer
- Color: gray

actual cabinet profile length	Part no.
650 (25-9/16")	Z37A617D

Gallery bracket set

6



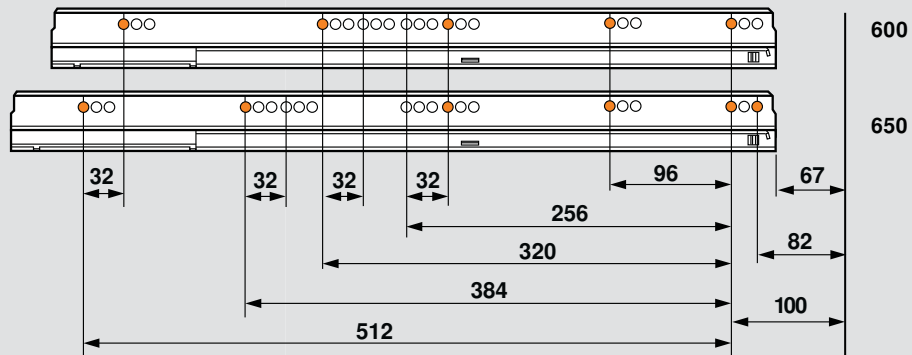
Set includes:

- 6a** Left and right rear brackets
- 6b** Front fixing clips (qty 4)
- Color: gray

	Part no.
Gallery bracket set	Z36D0080

TANDEMBOX D height single gallery – SPACE CORNER

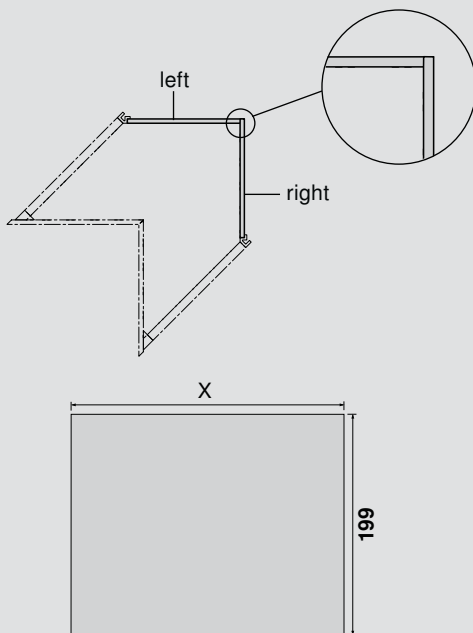
Cabinet profile installation



NOTE: Recommended screw locations in orange (system screws or #7 wood screws)

Drawer back cutting dimensions

Drawer back



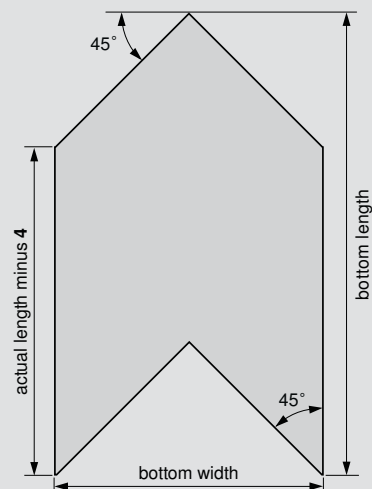
Calculating cutting of drawer backs

Right back piece	$X = \text{opening width minus } 75 \times 0.707$
Left back piece	$X = \text{right back piece length minus } 16$

Drawer bottom cutting dimensions

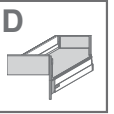
Bottom width = opening width minus **75** (2-15/16")

Bottom length = bottom width divided by two, plus actual cabinet profile length minus **4** (3/16")



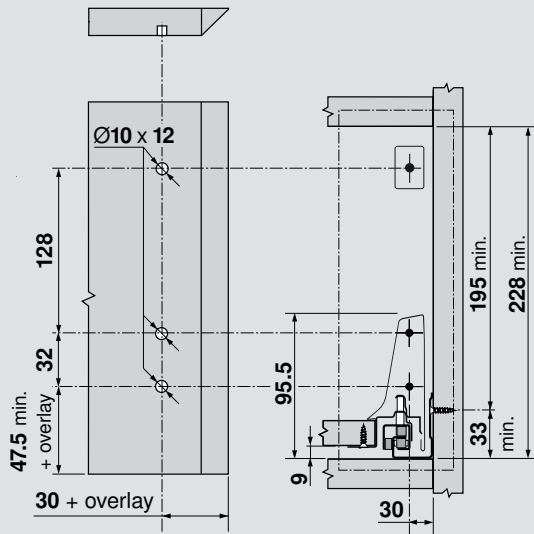
NOTE: Use **16** (5/8") material for bottom

Specifications

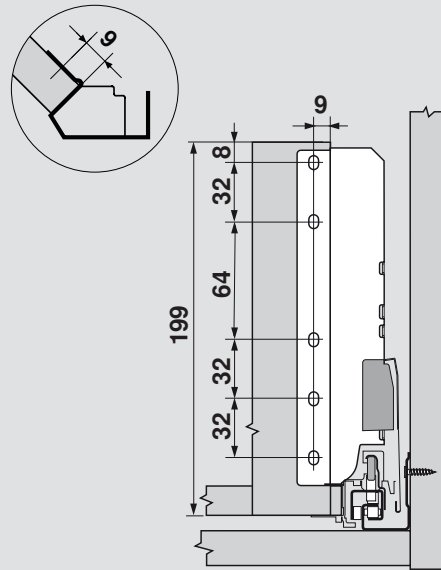


Front fixing bracket installation

EXPANDO



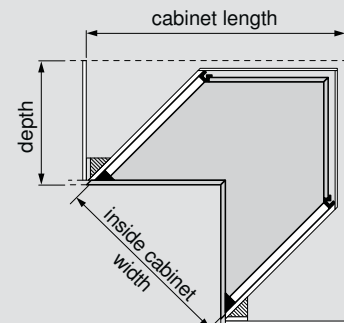
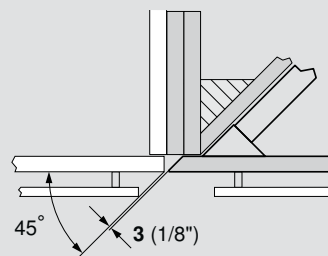
Corner rear fixing bracket installation



Cabinet measurements

A minimum clearance of **3 (1/8")** must be maintained between the opening path of the drawer front of the SPACE CORNER and the edge of the adjacent drawer front (including the drawer handle).

To facilitate this, the edge of the SPACE CORNER drawer fronts should be cut at a 45 degree angle.



TANDEMBOX D height – SPACE CORNER

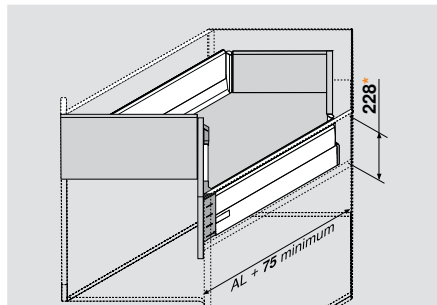
Application



Description

- Full extension drawer system with BLUMOTION
- TANDEM smooth running mechanism
- Three-dimensional drawer front adjustment
- Drawer side can be used with BOXCAP or design element
- Dynamic load capacity of 150 lb

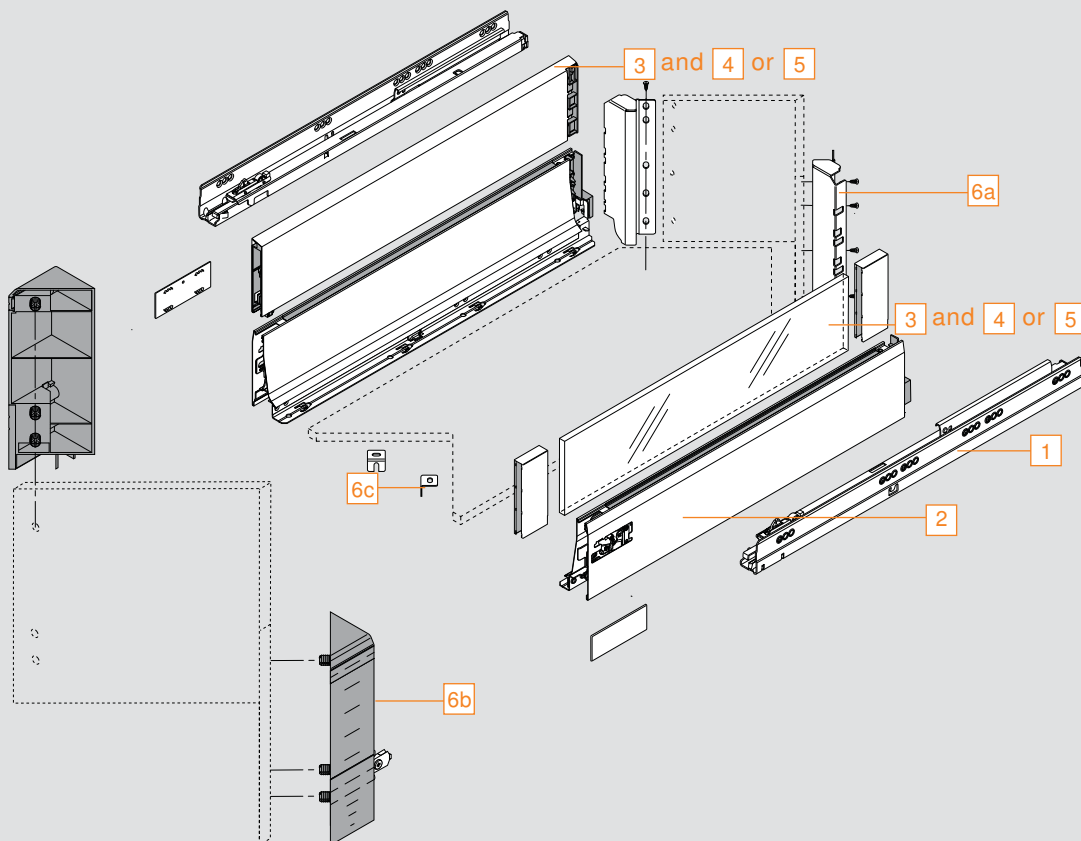
Space requirements



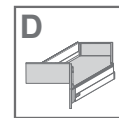
AL = actual cabinet profile length
 *Minimum opening height based on 3 (1/8") clearance

Components

SPACE CORNER



Required parts

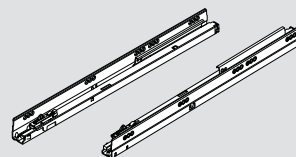


Cabinet and drawer profile sets

Sets include:

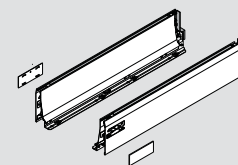
- Left and right profiles
- Drawer profile includes color coordinated cover caps

1 cabinet profile



150 lb

2 drawer profile

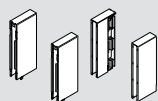


stainless steel

nominal length	actual cabinet profile length		
24"	600 (23-5/8")	556.6001B	359L6002IA2
26"	650 (25-9/16")	556.6501B	359L6502IA2
Installation wood screw		707N	612TH

BOXCOVER set

3



Set includes:

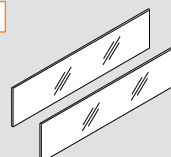
- Front and rear BOXCOVERS
- Colors: stainless steel
- For use when using design element

Part no.

BOXCOVER set **Z36L002G.I**

Design element set

4



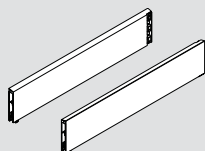
Set includes:

- Left and right design element
- 8 mm thick tempered glass
- Frosted finish

nominal length	actual cabinet profile length	Part no.
20"	600 (23-5/8")	Z37G540D.US
22"	650 (25-9/16")	Z37G590D.US

BOXCAP set

5



Set includes:

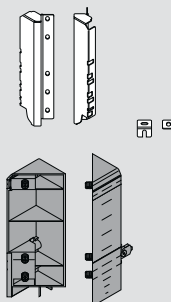
- Left and right BOXCAP
- Colors: stainless steel

Part no.

nominal length	actual cabinet profile length	Part no.
20"	600 (23-5/8")	Z37L590I.D
22"	650 (25-9/16")	Z37L640I.D

SPACE CORNER set – D height

6



Set includes:

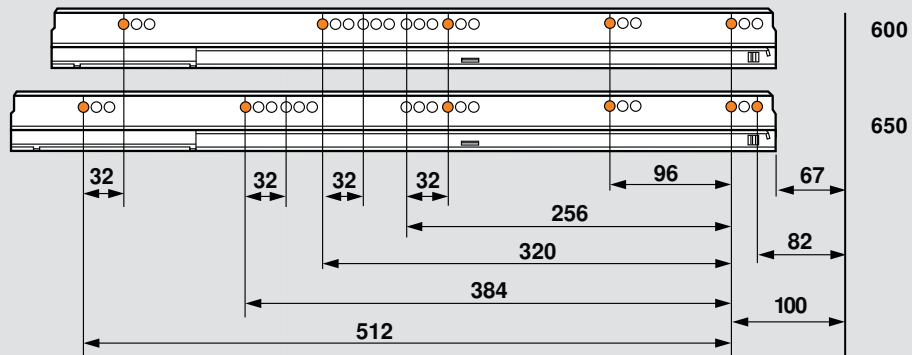
- 6a Corner rear fixing bracket (qty 2)
- 6b Corner front piece (qty 2)
- 6c Drawer front support bracket (qty 2)
- Corner rear fixing bracket color: nickel

Part no.

SPACE CORNER set **ZSF.535E.D**

TANDEMBOX D height – SPACE CORNER

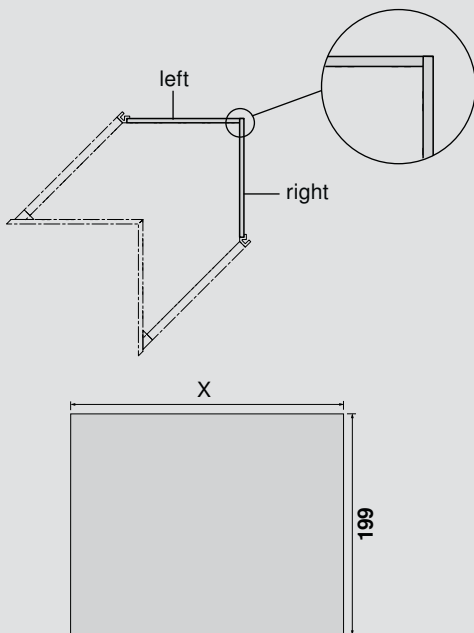
Cabinet profile installation



NOTE: Recommended screw locations in orange (system screws or #7 wood screws)

Drawer back cutting dimensions

Drawer back



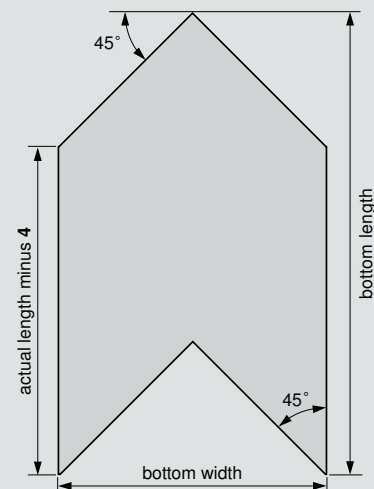
Calculating cutting of drawer backs

Right back piece	$X = \text{opening width minus } 75 \times 0.707$
Left back piece	$X = \text{right back piece length minus } 16$

Drawer bottom cutting dimensions

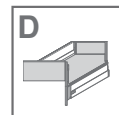
Bottom width = opening width minus **75** (2-15/16")

Bottom length = bottom width divided by two, plus actual cabinet profile length minus **4** (3/16")



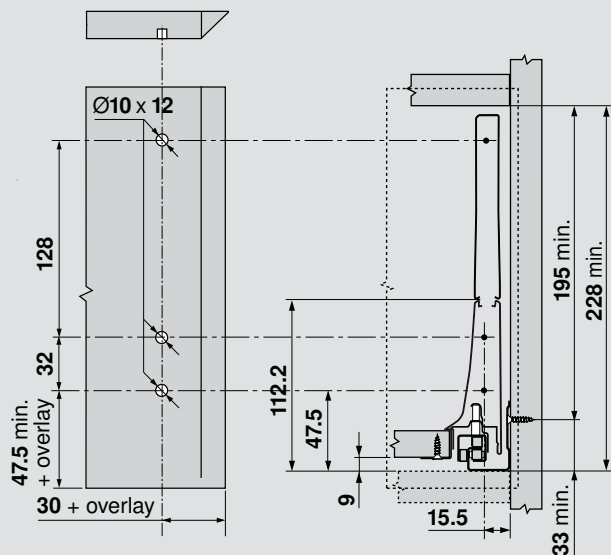
NOTE: Use **16** (5/8") material for bottom

Specifications

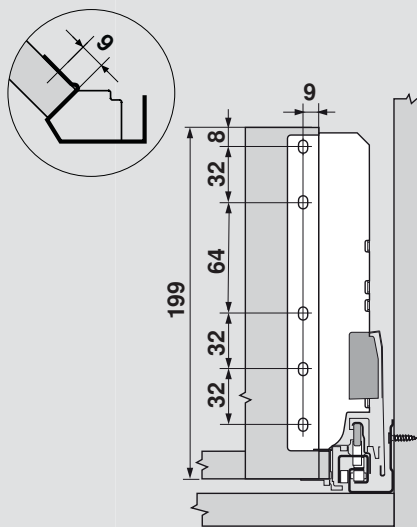


Front fixing bracket installation

EXPANDO



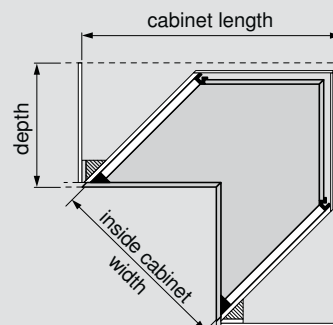
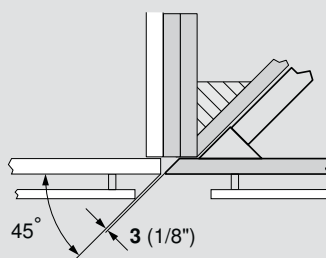
Corner rear fixing bracket installation



Cabinet measurements

A minimum clearance of 3 (1/8") must be maintained between the opening path of the drawer front of the SPACE CORNER and the edge of the adjacent drawer front (including the drawer handle).

To facilitate this, the edge of the SPACE CORNER drawer fronts should be cut at a 45 degree angle.



TANDEMBOX wraparound sink drawer

Application

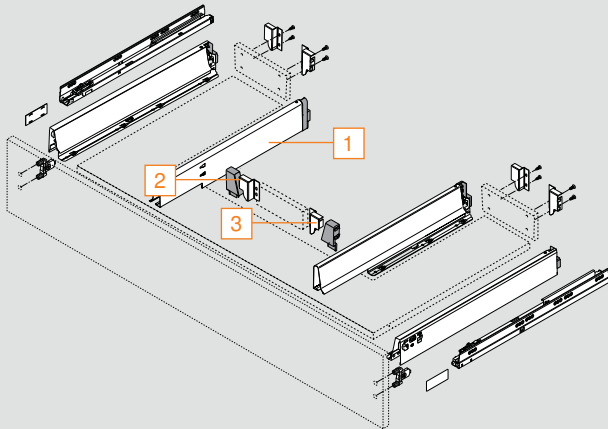


Description

- Full extension drawer system with BLUMOTION
- TANDEM smooth running mechanism
- Two-dimensional drawer front adjustment
- Dynamic load capacity of 75 lb and 150 lb

M height

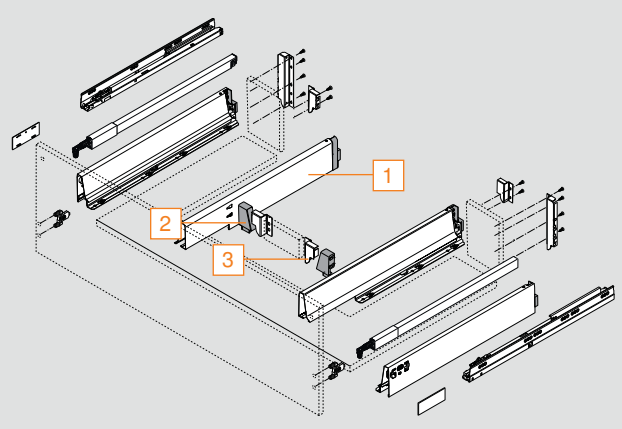
A



NOTE: Parts identified on right page

D height with single gallery

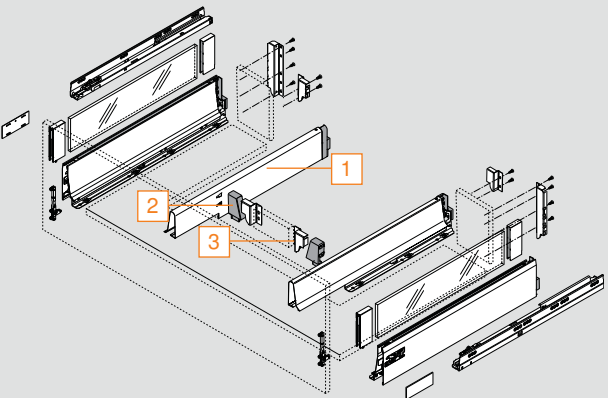
B



NOTE: Parts identified on right page

D height with design element

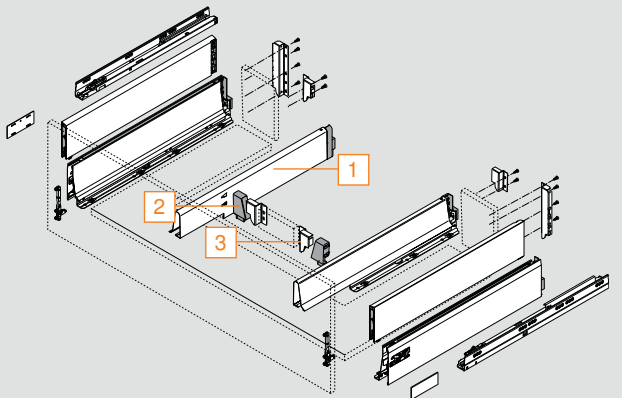
C



NOTE: Parts identified on right page

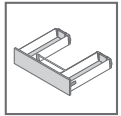
D height with BOXCAP

D



NOTE: Parts identified on right page

Required parts



Required outside drawer components

<p>M height required components and specifications, see page 16</p>	<p>D height with single gallery required components and specifications, see page 24</p>	<p>D height with design element required components and specifications, see page 36</p>	<p>D height with BOXCAP required components and specifications, see page 40</p>

Inside drawer profile set

1

Set includes:

- Left and right inside drawer profile
- Drawer height **84** (3-5/16")
- Colors: gray and stainless steel

NOTE: Additional rear bracket set required dependent on application (M height or D height)

nominal length	actual cabinet profile length	gray	stainless steel
20"	500 (19-11/16")	358M5004SG	358M5004IG
22"	550 (21-5/8")	358M5504SG	358M5504IG

Center adapter set

2

Set includes:

- Left and right center adapter
- Colors: gray

Part no.

Center adapter set	Z30N0002.6ZA
--------------------	---------------------

Rear fixing bracket set

3

Set includes:

- Left and right bracket
- Colors: gray and nickel

Part no.

Rear fixing bracket set	Z30N000S.04
Installation screw	612TH

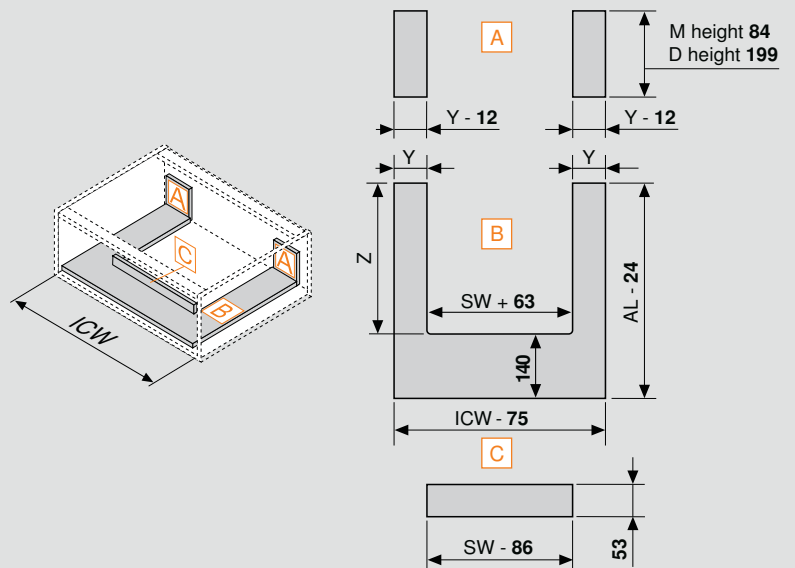
Cutting dimensions for bottom and back

B **Drawer bottom**
 Width = opening width minus **75** (2-15/16")
 Length = actual cabinet profile length minus **24** (15/16")
 Y = drawer bottom width minus (SW+63) divided by 2

A **Drawer back**
 Width = Y minus **12**
 M height = **84** (3-5/16")
 D height = **199** (7-13/16")
 Y minimum = **48** (1-7/8")
 Y maximum = **Trial recommended**

AL = actual cabinet profile length
 ICW = opening width
 SW = width of the sink
 Y = drawer bottom width of side 1 or 2 (variable)

NOTE: Use **16** (5/8") material for bottom and back



TANDEMBOX dual sink drawer

Application

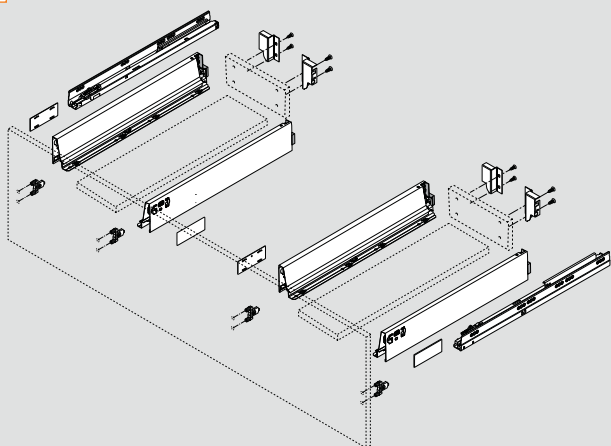


Description

- Full extension drawer system with BLUMOTION
- TANDEM smooth running mechanism
- Three-dimensional drawer front adjustment
- Dynamic load capacity of 75 lb and 150 lb

M height

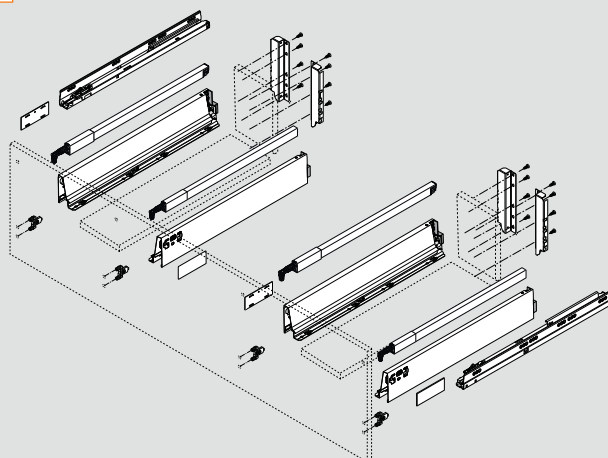
A



NOTE: Parts identified on right page

D height with single gallery

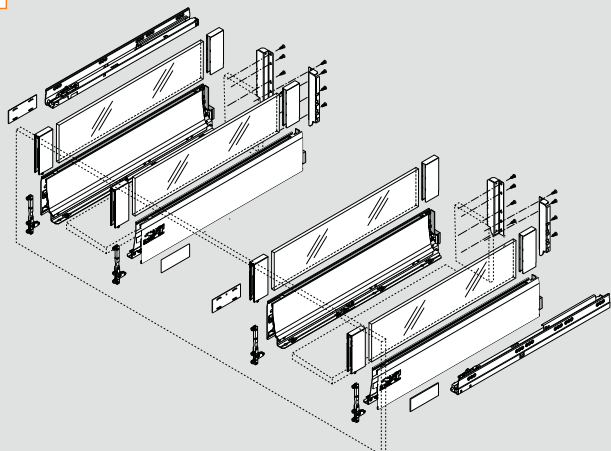
B



NOTE: Parts identified on right page

D height with design element

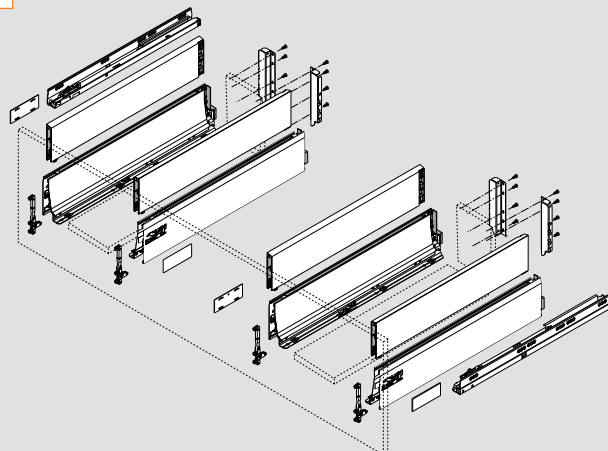
C



NOTE: Parts identified on right page

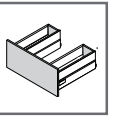
D height with BOXCAP

D



NOTE: Parts identified on right page

Required parts



Required outside drawer components (2 required per drawer)

<p>M height required components and specifications, see page 16</p>	<p>D height with single gallery required components and specifications, see page 24</p>	<p>D height with design element required components and specifications, see page 36</p>	<p>D height with BOXCAP required components and specifications, see page 40</p>

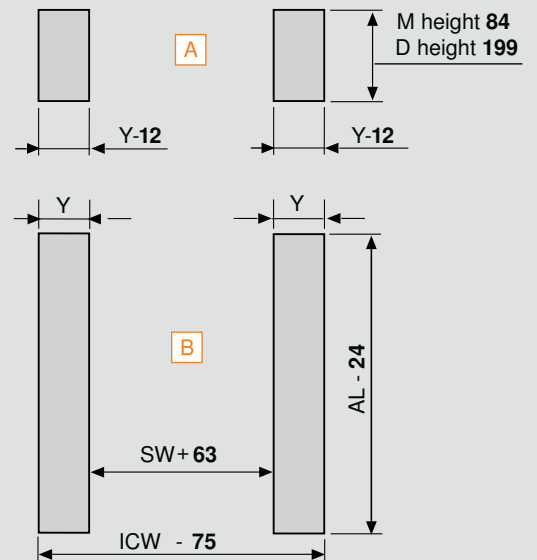
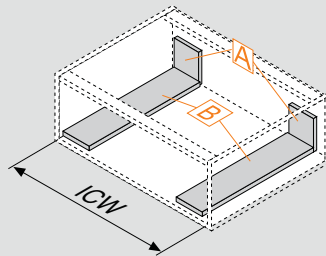
Cutting dimensions for bottom and back

B Drawer bottom

Minimum width = **43** (1-11/16") each
 Length = actual cabinet profile length minus **24** (15/16")
 Y = drawer bottom width minus (SW+63) divided by 2

A Drawer back

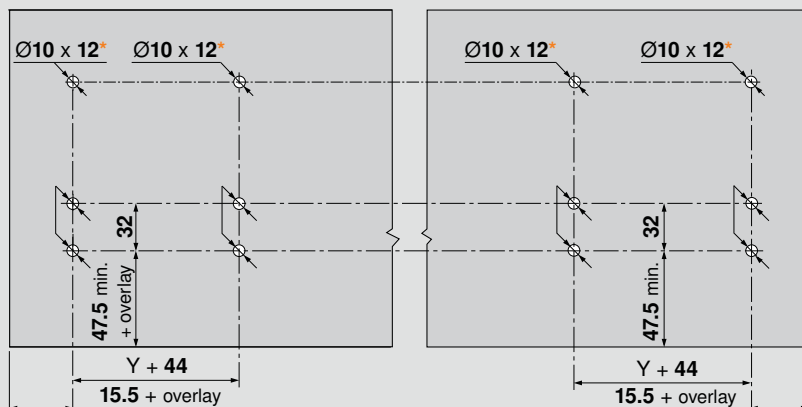
Width = Y minus **12**
 then subtract **12**
 M height = **84** (3-5/16")
 D height = **199** (7-13/16")
 Y minimum = **48** (1-7/8")
 Y maximum = **Trial recommended**



AL = actual cabinet profile length
 ICW = opening width
 SW = width of the sink
 Y = drawer bottom width of side 1 or 2 (variable)
 Z = actual cabinet profile length minus **164** (6-7/16")

NOTE: Use **16** (5/8") material for bottom and back

Drawer front preparation



*Pre-boring dimensions for INSERTA and EXPANDO only, for screw-on pre-bore Ø2 x 2.5

TANDEMBOX waste/recycle set with SERVO-DRIVE

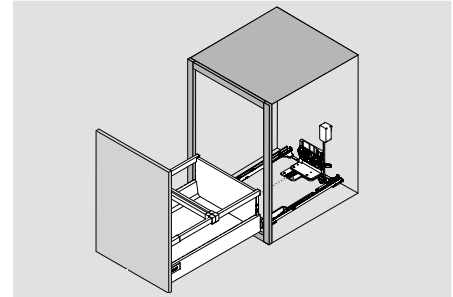
Application



Description

- Pre-assembled bottom mount solution
- TANDEMBOX heavy duty full extension drawer system
- For 12", 15" and 18" minimum opening widths
- For face frame and panel applications
- Three-dimensional drawer front adjustment
- Maximum 6 (1/4") cabinet bottom recess
- TANDEM smooth running action
- 175 lb static, 150 lb dynamic load rating
- SERVO-DRIVE touch-to-open feature

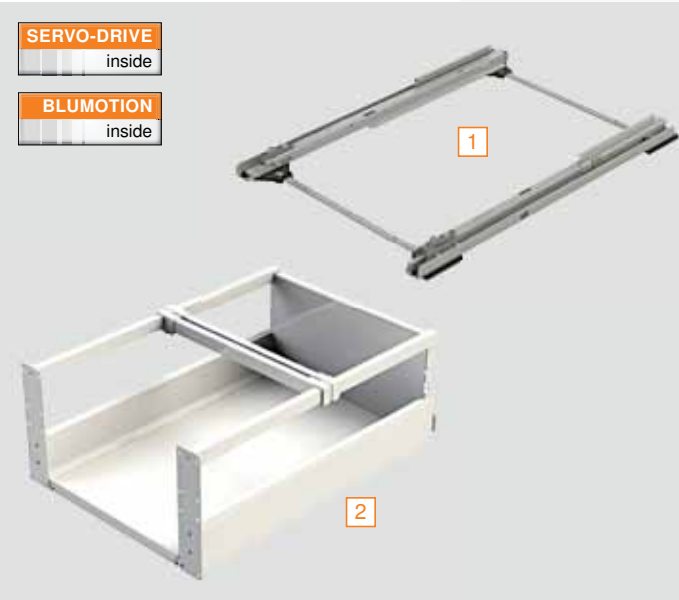
Basic components



NOTE: Bins not included

Components

TANDEMBOX waste/recycle set

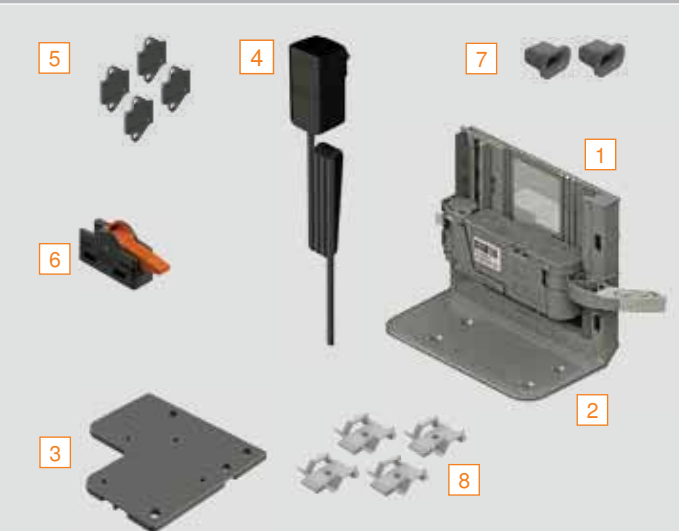


Set includes:

- 1 TANDEMBOX heavy duty runner set with pre-mounted #6 x 1" wood screws for installation (qty 8)
- 2 Pre-assembled silk white TANDEMBOX drawer
 - Installation template and instructions
 - #6 x 5/8" wood screws for attachment to drawer front (qty 10)
 - TANDEMBOX cover caps (qty 2)

TANDEMBOX waste/recycle set	Drawer length	Part no.
For 12" minimum opening width	550 (21-5/8")	356M55B7SAB
For 15" minimum opening width	550 (21-5/8")	356M55B7SAD
For 18" minimum opening width	550 (21-5/8")	356M55B7SAF

SERVO-DRIVE waste/recycle set



Set includes:

- 1 Drive unit (pre-attached)
- 2 Double bottom bracket with #6 x 1" wood screws (qty 2)
- 3 Adapter plate
- 4 110 volt plug-in power supply with six feet of universal cable
- 5 Screw-on distance bumpers (qty 4) with #6 x 5/8" wood screws for installation (qty 8)
- 6 INSERTA cable connector
- 7 Cable end protectors (qty 2)
- 8 Cable clips (qty 4)
- Installation template, instructions and user manual

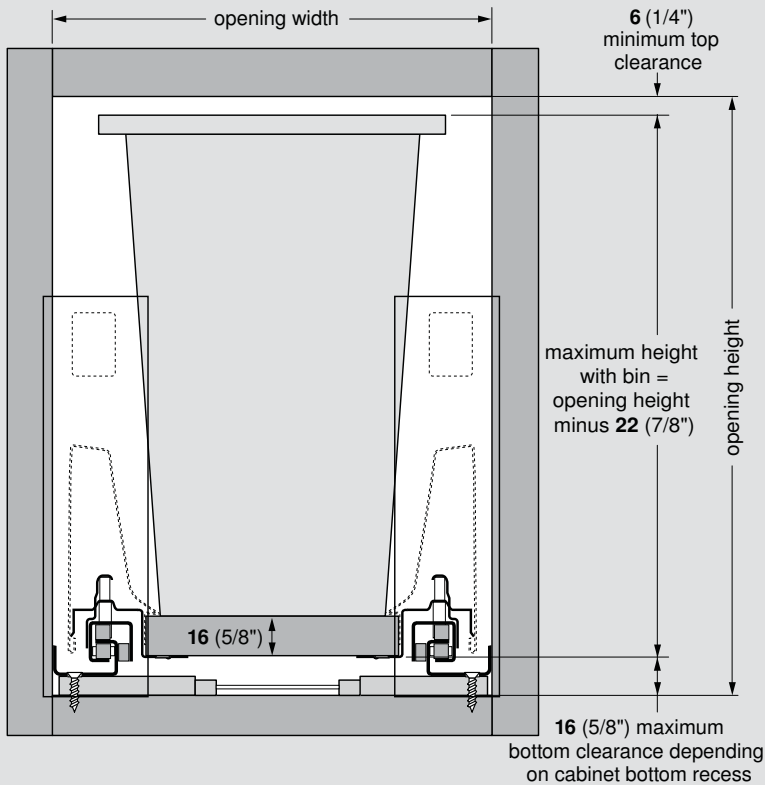
SERVO-DRIVE waste/recycle set	Part no.
	Z10NA20UGUS

NOTE: Power supply will operate up to two drive units in a double bottom bracket application (second drive unit sold separately)

Specifications

Drawer and cabinet specifications

Front view



A retainer or wood block should be added to the TANDEMBOX drawer to secure the bins and keep them from pressing against the drawer front during daily operation

NOTE: Minimum opening height = 233 (9-3/16")



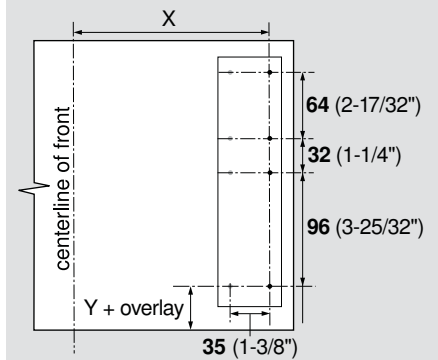
Important

Bin width and height must be considered when designing your cabinet (see the diagram on the left).

Minimum inside cabinet depth

With SERVO-DRIVE	574 (22-19/32")
Without SERVO-DRIVE	569 (22-13/32")

Drawer front attachment



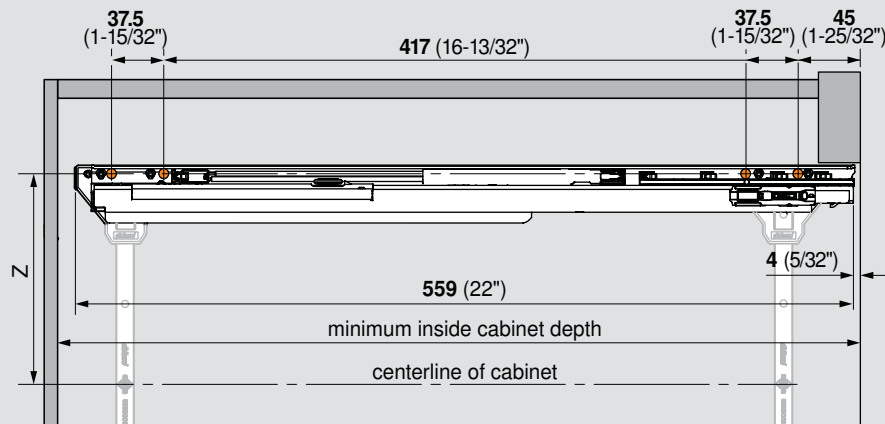
Cabinet bottom recess

	6 (1/4")	3 (1/8")	Flush
Y	16 (5/8")	19 (3/4")	22 (7/8")

Waste/recycle set	356M55B7SAB	356M55B7SAD	356M55B7SAF
X	154.5 (6-3/32")	192.5 (7-19/32")	230.5 (9-1/16")
Z	146.5 (5-25/32")	184.5 (7-1/4")	222.5 (8-3/4")
minimum opening width	305 (12")	381 (15")	457 (18")

Set mounting specifications

Top view



NOTE: Orange dots indicate pre-mounted screw locations. All four screws are required to meet specified load capacities.

Assembly aids

Cabinet profile template

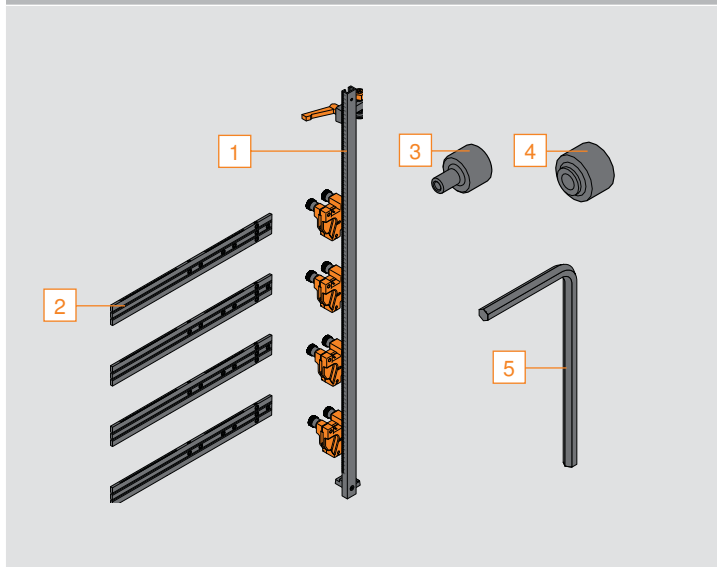


- Used for pre-boring holes for TANDEM, TANDEMBOX plus BLUMOTION and TANDEMBOX drawer runners
- Can also be used to pre-bore AVENTOS locating pins and pre-boring for hinge mounting plates

Part no.

Cabinet profile template	65.1000.01
Replacement template	65.1001.01
Ø2.5 mm drill bit	DB-2.5mm

Components



Cabinet profile template includes:

- Rail, 1 meter long (qty 1)
- Replacement template (qty 4)
- Ø2.5 mm stop collar (qty 1)
- Ø5 mm stop collar (qty 1)
- Allen wrench (qty 1)

Cabinet profile template SPACE CORNER stop set



- Used for pre-boring mounting screw locations in TANDEM and TANDEMBOX SPACE CORNER applications
- Ensures correct setback

Part no.

SPACE CORNER stop set	65.1106
-----------------------	---------

Universal individual template



- Used for pre-boring holes for TANDEM, TANDEMBOX plus BLUMOTION and TANDEMBOX drawer runners
- Can also be use to pre-bore for AVENTOS locating pins and pre-boring for hinge mounting plates
- Calibrated scale for accurate setting

Set includes:

- Universal individual template
- Ø2.5 mm and Ø5 mm stop collars

Part no.

Universal individual template

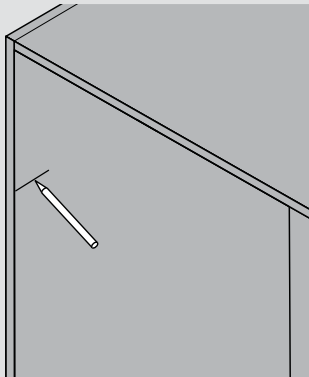
65.1051.01

Ø2.5 mm drill bit

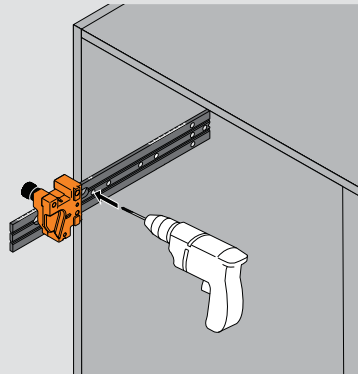
DB-2.5mm

Pre-boring for cabinet profile mounting holes

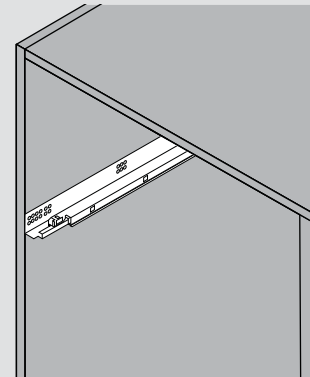
1 Mark position



2 Line up template with mark and pre-bore required holes



3 Attach runner



Assembly aids

Universal boring template



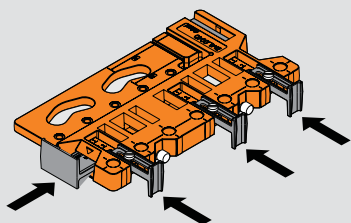
- Used for boring drawer fronts, locates all fixing positions
- Ø5 mm and Ø10 mm stop collars included
- Ø10 mm marking pin included

Part no.

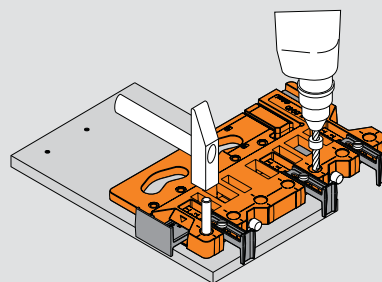
Universal boring template	ZML.0040.01
Ø5 mm drill bit	DB-5mm
Ø10 mm drill bit	DB-10mm

Using the universal boring template

1 Set stops using calibration

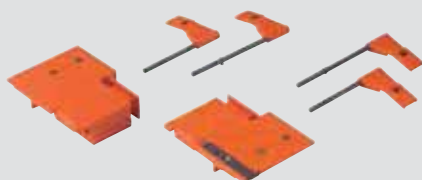


2 Pre-bore with Ø10 mm bit or mark fixing locations



TANDEMBOX front marking templates

Front marking template



- Used for marking front fixing locations
- For TANDEMBOX 35XM/L drawer profiles

Includes:

- Marking template (left and right)
- Marking flag for 35XL drawer profile (left and right)

Part no.

Front marking template	ZML.3580.01
------------------------	-------------

Gallery marking template



- Can mark for gallery locations

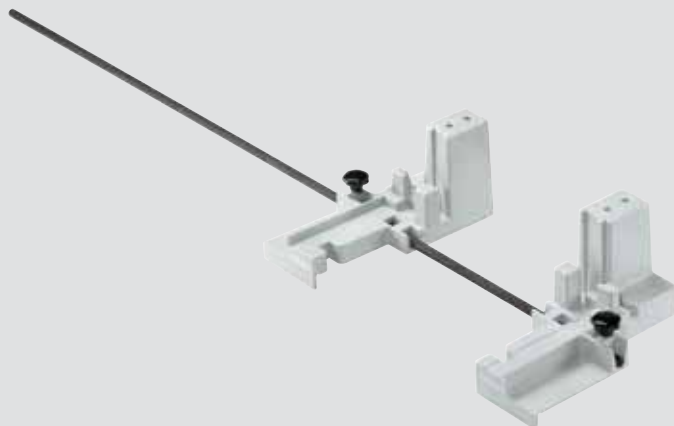
Includes:

- Marking template (left and right)

Part no.

Gallery marking template	ZML.3600
--------------------------	----------

BOXFIX E-T



Using BOXFIX E-T you can manually assemble TANDEMBOX easier than ever. Its easy setup and comfortable work height all contribute to a more efficient assembly of TANDEMBOX drawers.

- For all TANDEMBOX heights and lengths
- For cabinet widths **250** to **1200** (9-13/16" to 47-1/4")
- For cabinet back heights up to **250** (9-13/16")

Part no.

BOXFIX E-T

ZMM.0350

BOXFIX P



Using the new BOXFIX P you can assemble TANDEMBOX faster than ever. Its easy setup, pneumatic clamps, and comfortable work height all contribute to faster, more efficient assembly of TANDEMBOX drawers.

- For all TANDEMBOX heights and lengths
- One adjustable stop for drawer width included (additional stops available)
- For cabinet widths **275** to **1200** (10-13" to 47-1/4")
- For back heights up to **350** (13-3/4")

Part no.

BOXFIX P

ZMM.2750

Machines

MINIPRESS P - Deluxe boring and insertion machine



Features:

- Front adjustable boring distance with digital counter
- Pneumatic hold-down clamps
- Improved boring depth adjustment
- Improved positioning stops (qty 4)
- Tool kit included
- Dust collection attachment
- Accepts optional 7 or 8 spindle heads

Part no.

Single phase - 220V power Laser center line optional	M53.1053.US
Three phase - 220V power Laser center line optional	M53.1004.US
Three phase - 440V power Laser center line optional	M53.1005.US

MINIPRESS P - Standard boring and insertion machine



Features:

- Front adjustable boring distance
- Improved boring depth adjustment
- Improved positioning stops (qty 4)
- Tool kit included
- Dust collection attachment
- Accepts optional 7 or 8 spindle heads

Part no.

Single phase - 220V power	M53.1053.UB
Optional laser center line, digital counter and hold down clamps	

MINIPRESS M - 110V manual boring and insertion machine



Features:

- 110V power with molding plug (portable)
- Does not require pressurized air
- Positioning stops included (qty 4)
- Tool kit included
- Dust collection attachment
- Accepts optional 7 or 8 spindle heads

Part no.

Single phase - 220V power	M52.1056.US
Optional laser center line, digital counter and hold down clamps	

MINIDRILL P - Standard boring machine



Features:

- Front adjustable boring distance
- Improved positioning stops (qty 4)
- Tool kit included
- Dust collection attachment
- Accepts optional 7 or 8 spindle heads

Part no.

Single phase - 220V power	M53.1053.50
Optional laser center line, digital counter and hold down clamps.	
Three phase - 220V power	M53.1004.50
Optional laser center line, digital counter and hold down clamps.	
Three phase - 440V power	M53.1005.50
Optional digital counter and hold down clamps. No laser center line option.	

Optional items

	Laser center line set	MZR.5300.US
	Digital counter set	MZE.2110
Boring distance stop kit (MINIPRESS M only)	MZS.1020.US	Hold down clamp set
		M53.0720.US

9 spindle head



- 9 spindle head for use with MINIPRESS/MINIDRILL
- Bores nine holes spaced 32 mm apart, parallel to the fence
- New feature – quick-disconnect chucks
- Requires retrofit set M30.1313.UM for machines produced in 2009 or prior

Part no.

9 spindle head	MZK.190S
Chuck cover cap	M30.1329

8 spindle head



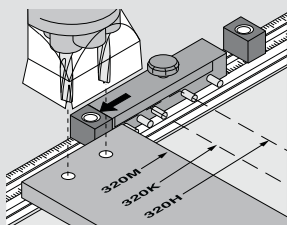
- 8 spindle head for use with MINIPRESS/MINIDRILL
- Bores eight holes spaced 32 mm apart, perpendicular to the fence
- New feature – quick-disconnect chucks
- Requires retrofit set M30.1313.UM for machines produced in 2009 or prior

Part no.

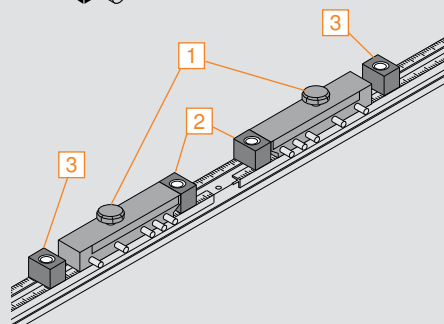
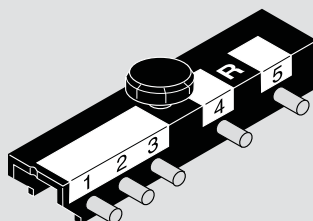
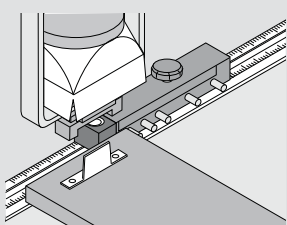
8 spindle head	MZK.880S
Chuck cover cap	M30.1329

MINISTICK

Boring drawer fronts



Inserting front fixing brackets



Enables fast setup for drawer front boring and front fixing bracket insertion with the MINIPRESS.

Eliminates the need for multiple fence stops.

Includes:

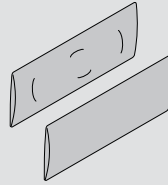
- 1 LH & RH adjustment stick mechanism
- 2 Upper drawer stops (qty 2)
- 3 Bottom drawer stops (qty 2)

Part no.

MINISTICK	MZS.0040
-----------	-----------------

Accessories

TANDEMBOX cover caps



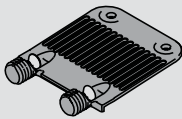
- For use with TANDEMBOX drawers
- Non-handed, symmetrical design
- Colors: gray and silver
- Custom logo printing available

Part no.

Gray cover cap	ZAA.532C
Silver cover cap	ZAA.5329

Front stabilization bracket

- Used for stabilizing wide drawers and/or tall drawer fronts
- Reinforces the connection between the drawer bottom and the front
- One required per drawer, center on drawer bottom

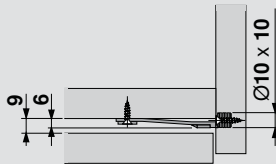


Part no.

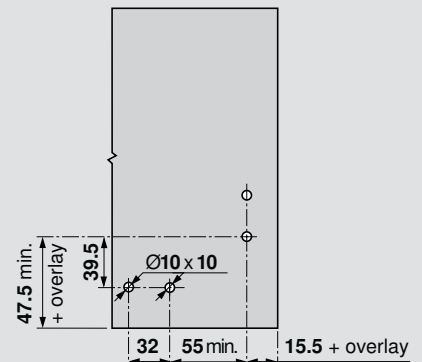
Front stabilizer bracket	Z96.10E1
--------------------------	----------

Front stabilization bracket application

Space requirements

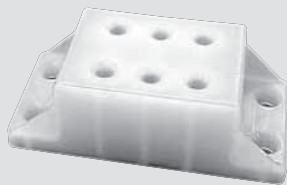


Front boring dimensions



Side spacer

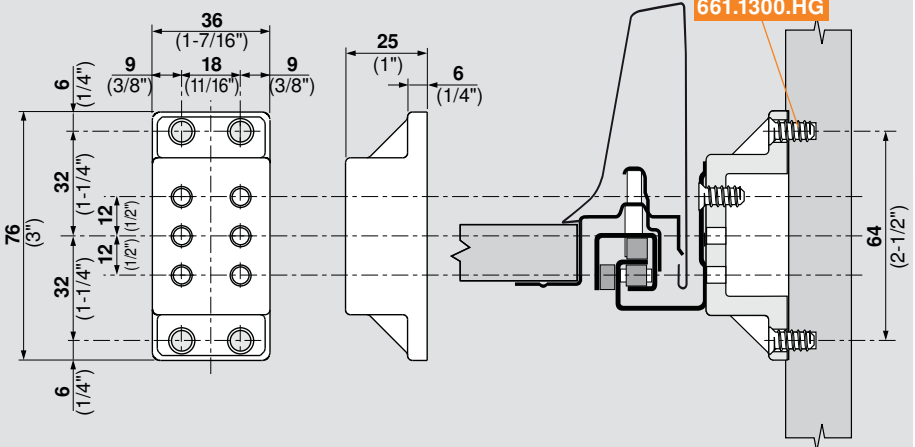
For spacing out cabinet profiles for clearance on interior roll out trays.



Part no.

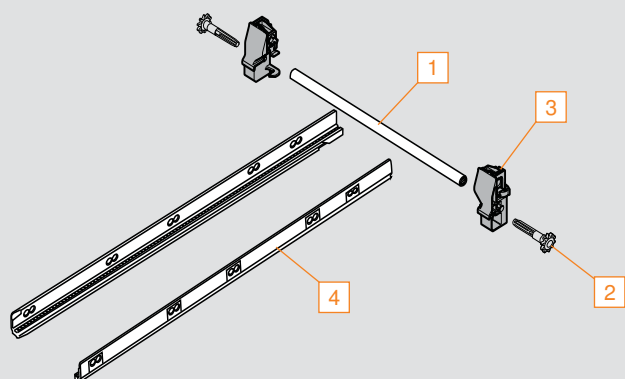
Spacer	T59.3570
POZI installation screw	661.1300.HG

Side spacer application



NOTE: Use two on 558 series and three on 556 series

Lateral stabilizer set



Set includes:

- 1 Linkage rod, 1076 (42-3/8") cut to size
- 2 Pinion gears (qty 2)
- 3 Rear brackets, left and right
- 4 Gear racks, left and right

Drawer length

500 (20")

550 (22")

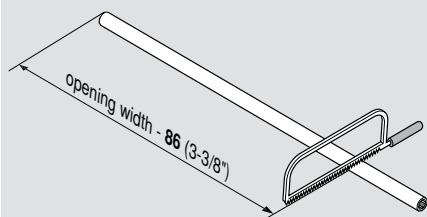
Part no.

ZST.500BA

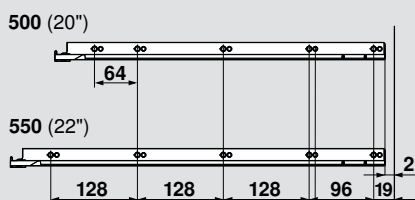
ZST.550BA

Linkage rod specifications

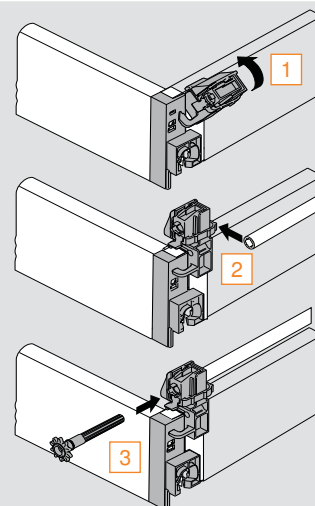
- Length = opening width minus 86 (3-3/8")
- Maximum opening width 1162 (45-3/4")



Installation

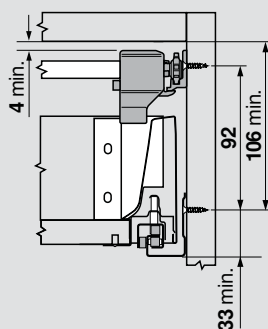


Assembly

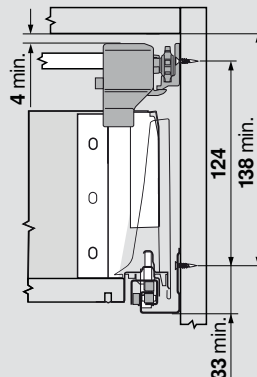


Space requirements

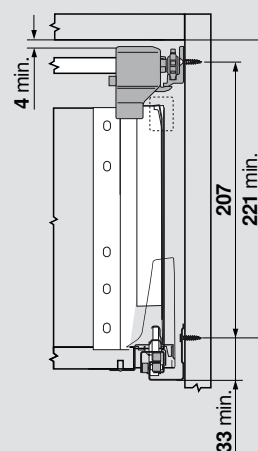
M height drawer



B height drawer



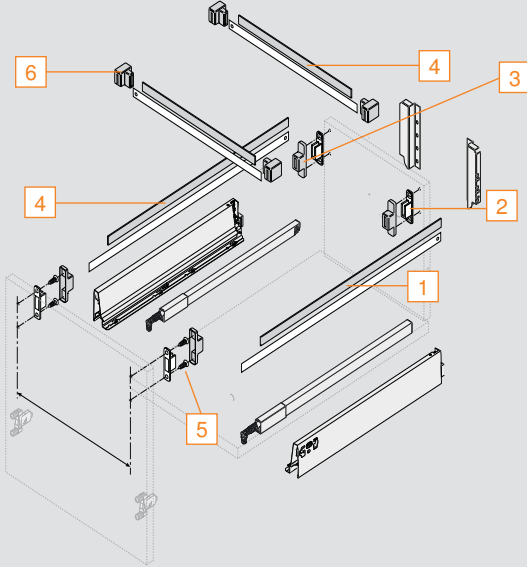
D height rear view



Accessories

METAFILE set

Set makes one standard hanging file. Recommended use in combination with B height drawer.



Set includes:

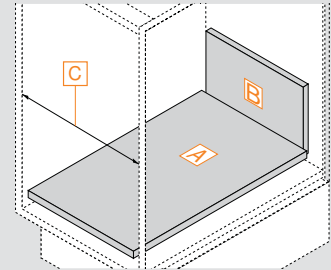
- 1 Steel hanging rails (qty 4) – 3 x 13 x 550 (1/8" x 1/2" x 21-5/8")
- 2 Rail support brackets (qty 4)
- 3 Rail support covers (qty 4)
- 4 Glide profiles (qty 4) – length 550 (21-5/8")
- 5 Flathead wood screws (qty 8) – #6 x 19 (3/4")
- 6 Lateral brackets (qty 4)

Part no.

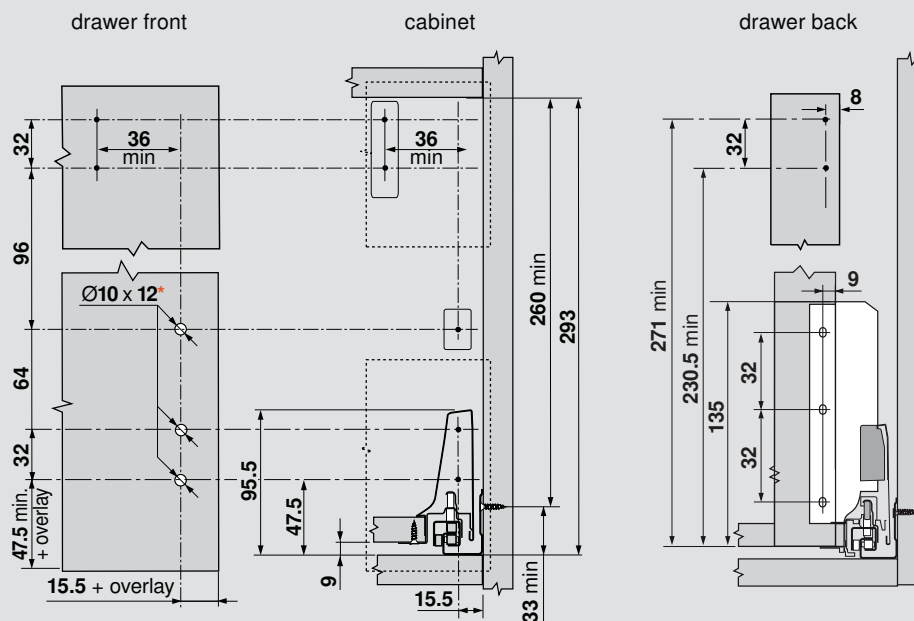
METAFILE set	ZRM.5500
Replacement parts	
Rail support covers	ZRM.0003
Glide profiles	ZRM.550G
Installation wood screw	6064N

Cutting dimensions for wood parts

- A** Width = opening width minus 75 (2-15/16")
Length = actual runner length minus 24 (15/16")
- B** Width = opening width minus 87 (3-7/16")
Height = 271 (10-11/16") minimum
- C** Minimum opening dimensions:
 ■ letter = 413 (16-1/4")
 ■ legal = 489 (19-1/4")



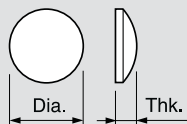
Installation



*INSERTA only

Bumpers

- Cushions door closing
- Clear with a self-adhesive back



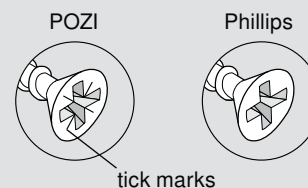
Part no.

Ø6 (1/4") x 1.5 (1/16")	FX4041
Ø10 (3/8") x 3 (1/8")	SJ5312

POZI DRIVER and bits



A POZI screwdriver (different from Phillips) is the most crucial tool you can use to assure that full torque is applied to all Blum mounting screws. POZI screws can be identified by the distinctive "tick" marks located in the center of the screw head recess.



Part no.

#2 POZI DRIVER	POZI DRIVER
1/4" Magnetic bit holder	BIT HOLDER
#2 x 1" POZI bit insert	POZI BIT #2x1
#2 x 2" POZI bit insert	POZI BIT #2x2

Screws

Deep thread system screw

Pilot bore Ø5 (3/16") hole



Part no.

#7 x 13 mm, #2 POZI	661.1300.HG
#7 x 14.5 mm, #2 POZI	661.1450.HG

Deep thread wood screw



Part no.

#6 x 5/8", #2 Phillips	606N
#6 x 5/8", #2 POZI	606P
#7 x 5/8", #2 Phillips	707N
#7 x 3/4", #2 Phillips	7074N

Truss head wood screw

Pilot bore Ø2 (3/32") hole



Part no.

#6 x 1/2", #2 Phillips	612TH
------------------------	--------------

Bits

Drill bits

Ø5 mm drill bit



Ø10 mm drill bit



Drill bits for the MINIPRESS/MINIDRILL and boring heads

Part no.

Ø5 mm drill bit (right hand)	M01.ZB05.D2
Ø5 mm drill bit (left hand)	M01.ZB05.D3
Ø10 mm drill bit (right hand)	M01.ZB10.02
Ø10 mm drill bit (left hand)	M01.ZB10.03

Additional features



ORGA-LINE

In the kitchen ORGA-LINE adjustable organizational systems and innovative accessories help make access to storage goods, quick and easy. ORGA-LINE is not only functional, but can also match the look and design of your drawers. The right design and combination of material, color and shape creates a harmonious look – in the kitchen and other living areas, and for nearly any application.

For ordering information please visit blum.com to download the ORGA-LINE brochure (LIT.ORG1000).



SERVO-DRIVE

SERVO-DRIVE is an opening feature for TANDEMBOX. Drawers open automatically with just a touch of the drawer front or with a light pull of the handle. This unique feature is based on an electrical drive unit that, once activated, opens the drawer for you.

With SERVO-DRIVE, the drawer is not connected to the drive unit. This enables the drawer to be stopped at any position, providing you full control. SERVO-DRIVE can be easily retrofitted with no modifications to the drawer system required when upgrading.

For ordering information please visit blum.com to download the SERVO-DRIVE brochure (LIT.SDR1000).



TIP-ON

TIP-ON is an excellent solution for opening handleless doors and drawers. The mechanical opening feature allows you to simply push on the door or drawer front to open it. It's that easy!

For more information regarding TIP-ON for TANDEMBOX, please visit blum.com



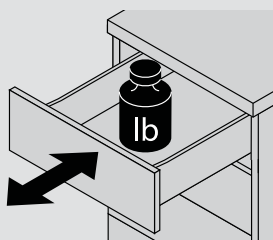


Blum's testing standards

Blum, Inc. is ISO 9001 certified which means that you are assured of consistent quality in every Blum product. All Blum runners must pass these tests without showing a measurable reduction in performance or deviation in adjustment position. Testing standards vary between products and applications.

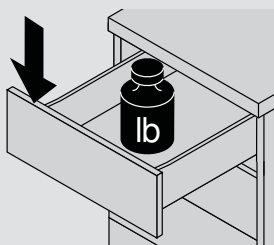
All Blum runners meet or exceed ANSI/BHMA 156.9 grade 1 requirements. Contact your local Blum representative for more details.

Dynamic wear test



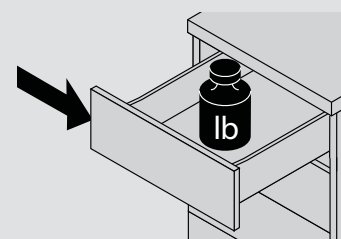
100,000 open/close cycles with a total load of 75 lb on TANDEMBOX 358 and 150 lb on TANDEMBOX 356 **550** (22") drawers.

Static load test



10 times for 10 seconds each time when completely extended, 66 lb is applied to the corner of the drawer front of a fully loaded drawer.

Side pressure test



10 times for 10 seconds each time when completely extended, 44 lb is applied to the side of the drawer front of a fully loaded drawer.

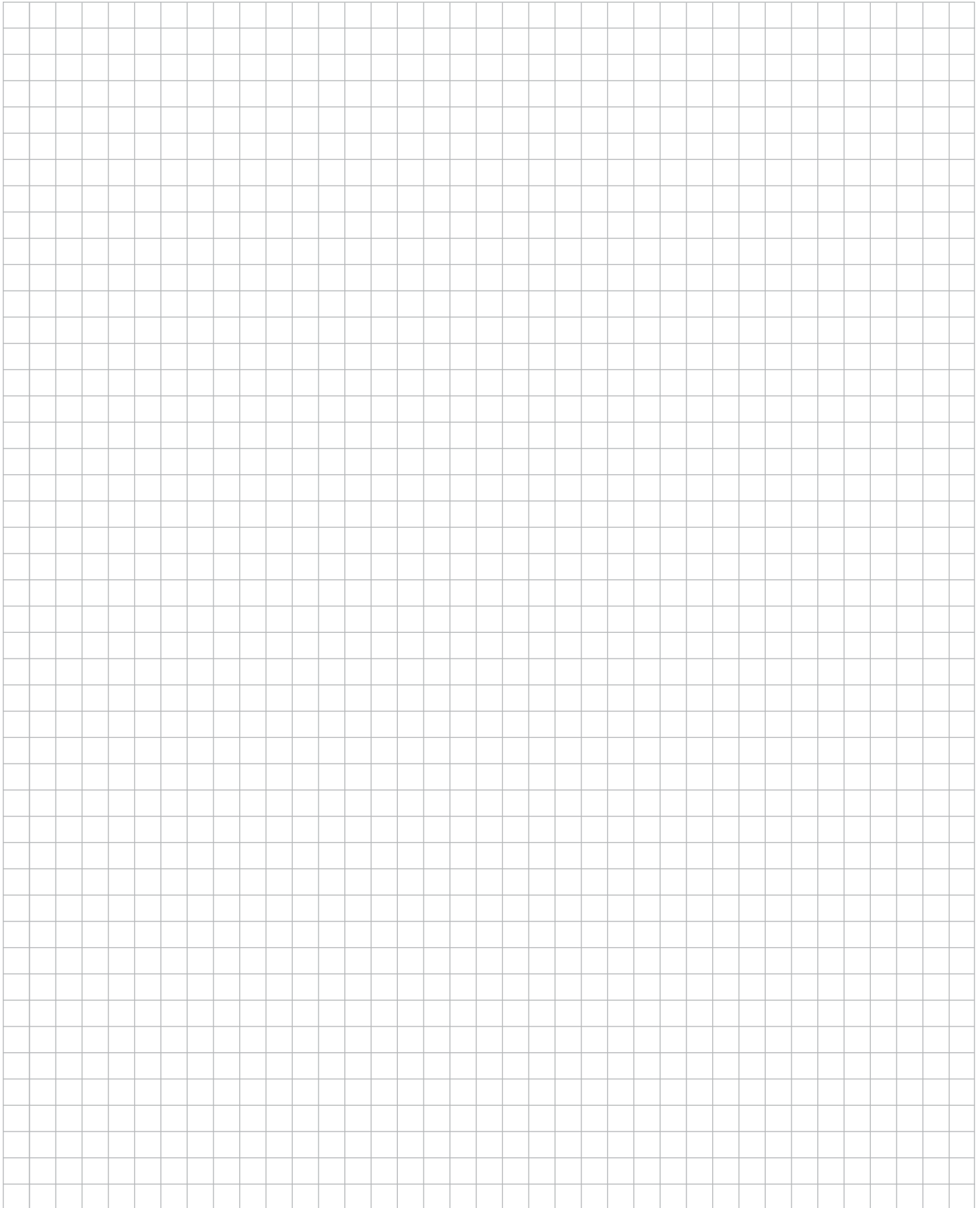


General information

All Blum hardware undergoes strict quality control procedures through all stages of production. Blum hardware is designed for cabinets and cabinet components made from wood, melamine or MDF. Careful attention must be paid to installation and operating instructions when using Blum hardware (see catalogs and instruction sheets for all technical information). The manufacturer must decide on the screws or attachment methods to suit the material being used (i.e. wood, melamine, etc.). The hardware must not be exposed to acidic or corrosive materials (i.e. some household cleaning solutions). To ensure that Blum hardware functions correctly, it must be kept clean and undamaged. For any additional information please contact your Blum representative. Anyone selling Blum hardware must ensure that their customer is aware of any relevant information given in this catalog. Care and cleaning – use a clean damp cloth.

Conditions of sale and delivery

All deliveries and services are based on the “general conditions of sale” which are available upon request. The technical presentations and dimensions in illustrations are non-binding. We reserve the right to make changes to specifications at any time. We do not accept any responsibility for any errors which may occur in the production of this catalog.



Part number index

Part no.	Page no.		Page no.		Page no.
65.1106	82			M01.ZB05.D3	91
356M55B7SAB	80	359M6002IA	17, 21, 25, 45, 49, 65, 69	M01.ZB10.02	91
356M55B7SAD	80	359M6002SA	17, 21, 25, 45, 49, 65, 69	M01.ZB10.03	91
356M55B7SAF	80	359M6502IA	17, 21, 25, 45, 49, 65, 69	M30.1329	91
358L2702IA2	37, 41, 57, 61	359M6502SA	17, 21, 25, 33, 45, 49, 65, 69	M52.1056.US	86
358L3502IA2	37, 41, 57, 61	556.4501B	17, 21, 25, 29, 33, 37, 41, 45, 49, 53, 57, 61	M53.0720.US	86
358L4002IA2	37, 41, 57, 61	556.5001B	17, 21, 25, 29, 33, 37, 41, 45, 49, 53, 57, 61	M53.1004.50	86
358L4502IA2	37, 41, 57, 61	556.5501B	17, 21, 25, 29, 33, 37, 41, 45, 49, 53, 57, 61	M53.1005.50	86
358L5002IA2	37, 41, 57, 61	556.6001B	17, 21, 25, 37, 41, 45, 49, 57, 61, 65, 69, 73	M53.1053.50	86
358L5502IA2	37, 41, 57, 61	556.6501B	17, 21, 25, 33, 37, 41, 45, 49, 57, 61, 65, 69, 73	M53.1053.UB	86
358M2702IA	17, 45	558.2701B	17, 37, 41, 45, 57, 61	MZE.2110	86
358M2702SA	17, 45	558.3501B	17, 37, 41, 45, 57, 61	MZK.190S	87
358M3502IA	17, 45	558.4001B	13, 17, 21, 25, 29, 37, 41, 45, 49, 53, 57, 61	MZR.5300.US	86
358M3502SA	17, 45	558.4501B	13, 17, 21, 25, 29, 33, 37, 41, 45, 49, 53, 57, 61	MZS.0040	87
358M4002IA	17, 21, 25, 29, 45, 49, 53	558.5001B	13, 17, 21, 25, 29, 33, 37, 41, 45, 49, 53, 57, 61	MZS.1020.US	86
358M4002SA	17, 21, 25, 29, 45, 49, 53	558.5501B	13, 17, 21, 25, 29, 33, 37, 41, 45, 49, 53, 57, 61	POZI BIT #2x2	91
358M4502IA	17, 21, 25, 29, 45, 49, 53	606N	91	POZI BIT #2x1	91
358M4502SA	17, 21, 25, 29, 33, 45, 49, 53	606P	91	POZI DRIVER	91
358M5002IA	17, 21, 25, 29, 45, 49, 53	612TH	91	SJ5312	91
358M5002SA	17, 21, 25, 29, 45, 49, 53	65.1000.01	82	T59.3570	88
358M5004IG	77	65.1001.01	82	Z10NA20UGUS	80
358M5004SG	77	65.1051.01	83	Z30B000S.04	21
358M5502IA	17, 21, 25, 29, 45, 49, 53	661.1300.HG	91	Z30D000SL	25, 29, 33, 37, 41, 49, 53, 57, 61
358M5502SA	17, 21, 25, 29, 33, 45, 49, 53	661.1450.HG	91	Z30M000S.04	17, 45
358M5504IG	77	7074N	91	Z30N0002.6ZA	77
358M5504SG	77	707N	91	Z30N000S.04	13, 77
358N4002IA	13	BIT HOLDER	91	Z31L1036A	45, 49, 53, 57, 61
358N4002SA	13	DB-10mm	84	Z36D0080	33, 69
358N4502IA	13	DB-2.5mm	82, 83	Z36L002G.I	37, 57, 73
358N4502SA	13	DB-5mm	84	Z36L002G.S	73
358N5002IA	13	FX4041	91	Z37A417D	33
358N502SA	13	M01.ZB05.D2	91	Z37A467D	33
358N5502IA	13			Z37A517D	33
358N5502SA	13			Z37A617D	33
359L6002IA2	37, 41, 57, 61, 73			Z37G210D.US	37, 57
359L6502IA2	37, 41, 57, 61, 73			Z37G290D.US	37, 57
				Z37G340D.US	37, 57
				Z37G390D.US	37, 57
				Z37G440D.US	37, 57
				Z37G490D.US	37, 57, 73
				Z37G540D.US	37, 57, 73
				Z37G590D.US	37, 57
				Z37L260I.D	41, 61



Part no. Page no.

Z37L340I.D	41, 61
Z37L390I.D	41, 61
Z37L440I.D	41, 61
Z37L490I.D	41, 61
Z37L540I.D	41, 61
Z37L590I.D	41, 61, 73
Z37L640I.D	41, 61, 73
Z96.10E1	88
ZAA.5329	88
ZAA.532C	88
ZIF.71M0 L&R	45
ZIF.80M0.01	45
ZIF.80M5	45
ZIF.80M7	45
ZIF.82D0.01	57, 61
ZML.0040.01	84
ZML.3600	84
ZML3580.01	84
ZMM.0350	85
ZMM.2750	85
ZRG.1046Z	49, 53, 57, 61
ZRG.337RSIE	29, 53
ZRG.337RIIE	29, 53
ZRG.337RIIC	21, 25, 29, 49, 53
ZRG.337RSIC	21, 25, 29, 49, 53
ZRG.387RSIE	29, 53
ZRG.387RIIC	21, 25, 29, 49,53
ZRG.387RSIC	21, 25, 29, 33, 49, 53
ZRG.437RIIE	29, 53
ZRG.437RIIC	21, 25, 29, 49, 53
ZRG.437RSIC	21, 25, 29, 33, 49, 53
ZRG.437RSIE	29, 53
ZRG.487RIIE	29, 53
ZRG.487RIIC	21, 25, 29, 49, 53
ZRG.487RSIC	21, 25, 29, 33, 49, 53
ZRG.487RSIE	29, 53
ZRG.537RIIC	21, 25, 49, 69
ZRG.537RSIC	21, 25, 49, 69
ZRG.587RIIC	21, 25, 49, 69
ZRG.587RSIC	21, 25, 33, 49, 69
ZRM.0003	90
ZRM.5500	90
ZRM.550G	90
ZSF.340E.M1	65

ZSF.3502.02	13, 17, 21, 25, 29, 33
ZSF.3902	13, 17, 21, 25, 29, 33
ZSF.5220	37, 41
ZSF.532E	37, 41
ZSF.345E.D1	69, 73
ZST.500BA	89
ZST.550BA	89



Blum, Inc. Headquarters, Stanley, NC

Why choose Blum



Blum, Inc. is a leading manufacturer of functional hardware for the kitchen cabinet and commercial casework industries specializing in lift systems, concealed hinges and drawer runner systems. Virtually all of the hardware needed to assemble and make cabinets functional is available within the wide range of quality Blum products. Blum supports the U.S. market with a network of more than 150 dependable distributors, 40+ knowledgeable Blum sales representatives and an experienced customer service department.

Commitment to manufacturing in the U.S.

Blum manufactures many of its products in our 450,000 sq ft manufacturing, logistics and warehouse facility located in Stanley, North Carolina. Manufacturing closer to the customer allows Blum to react quickly to changing customer needs including unexpected surges in demand. Customer pickups and deliveries can be timed to better match their production schedules. Blum is committed to manufacturing in the U.S. for the U.S. market.



Product development at Blum considers all of the various customers who will come in contact with our products. With this “Global Customer Benefits” philosophy we strive to create advantages for all users.



Blum, Inc. is ISO 9001 certified which means that you are assured of consistent quality in every Blum product. What’s more they exceed the requirements of ANSI/ BHMA standards for cycle life, static load and self-closing performance.

Please visit blum.com for information on other Blum products.
LIT:TBX1000.12.13 © 2013 Blum, Inc. Printed in the USA

Blum, Inc.
7733 Old Plank Rd.
Stanley, NC 28164
800-438-6788
blum.com



ISO 9001
Certified Quality
System

