



SINK SPECIFICATIONS
SILGRANIT®II
BLANCO VISION™ Single Bowl Undermount
Model 441367

FEATURED MODEL

441367 VISION Single Bowl Undermount ANTHRACITE

ADDITIONAL MODELS

441368 VISION Single Bowl Undermount BISCOTTI

441369 VISION Single Bowl Undermount CAFE BROWN

441370 VISION Single Bowl Undermount TRUFFLE

441472 VISION Single Bowl Undermount CINDER

FEATURES

- Required Outside Cabinet: 27"
- 80% solid granite
- Heat resistant up to 536°F
- Unsurpassed cleanability backed by industry leading 7 patents!
- Resistant to scratches, stains and all household acids and alkali solutions
- Template provided
- Under mount clips are included
- Limited lifetime warranty

CODE/STANDARDS COMPLIANCE

ANSI Z124.6-97
 IAPMO/UPC listed

WARRANTY

BLANCO'S SILGRANIT II Series sinks feature a LIMITED LIFETIME WARRANTY to be free of all manufacturing defects under normal use. See our complete warranty for details.

While BLANCO endeavors to provide accurate information, all dimensions are nominal, cannot be guaranteed, and are subject to change or cancellation. BLANCO assumes no responsibility for use of superseded or voided specifications.

JOB INFORMATION

Job Name: _____

Contact: _____

Date Specified: _____

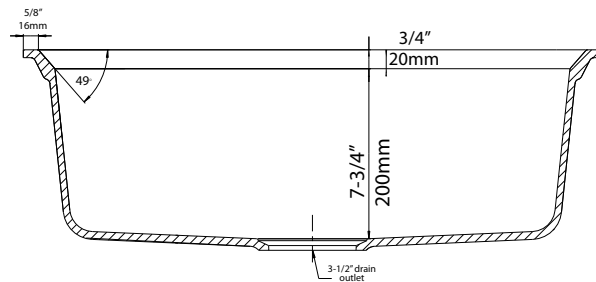
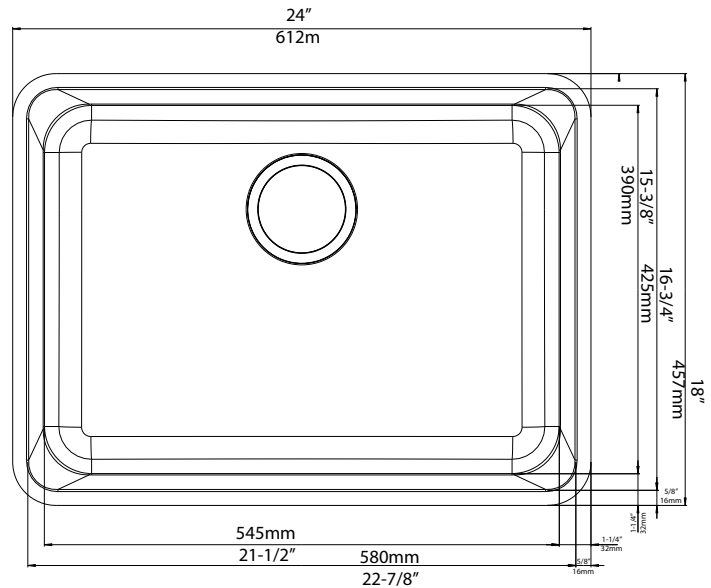
Specifier: _____

Contractor: _____



NOMINAL DIMENSIONS

OVERALL	BOWL DEPTH	DRAIN DIAMETER
24" x 18"	8	3-1/2



BLANCO AMERICA
800.451.5782
www.blancoamerica.com