

**FEATURED MODEL**

**440210 DIAMOND SINGLE Bowl Drop-in ANTHRACITE**

**ADDITIONAL MODELS**

- 441215 DIAMOND SINGLE Bowl Drop-in BISCOTTI**
- 440211 DIAMOND SINGLE Bowl Drop-in WHITE**
- 440212 DIAMOND SINGLE Bowl Drop-in BISCUIT**
- 440209 DIAMOND SINGLE Bowl Drop-in METALLIC GRAY**
- 440208 DIAMOND SINGLE Bowl Drop-in CAFE BROWN**
- 441280 DIAMOND SINGLE Bowl Drop-in TRUFFLE**
- 441463 DIAMOND SINGLE Bowl Drop-in CINDER**

**FEATURES**

- Required outside cabinet for drop-in installation: 24"
- Required cabinet for undermount installation: 27"
- 80% solid granite
- Heat resistant up to 536°F
- Unsurpassed cleanability backed by industry leading 7 patents!
- Resistant to scratches, stains and all household acids and alkali solutions
- Template provided with approximate 1/8" reveal
- Under mount clips NOT included
- Limited lifetime warranty

**OPTIONAL ACCESSORIES**

- Cutting Board - 400231
- Colander - 440492
- Stainless Steel Sink Grid - 221000

**CODE/STANDARDS COMPLIANCE**

- ANSI Z124.6-97
- IAPMO/UPC listed

**WARRANTY**

BLANCO'S SILGRANIT II Series sinks feature a LIMITED LIFETIME WARRANTY to be free of all manufacturing defects under normal use. See our complete warranty for details.

While BLANCO endeavors to provide accurate information, all dimensions are nominal, cannot be guaranteed, and are subject to change or cancellation. BLANCO assumes no responsibility for use of superseded or voided specifications.

**JOB INFORMATION**

Job Name: \_\_\_\_\_

Contact: \_\_\_\_\_

Date Specified: \_\_\_\_\_

Specifier: \_\_\_\_\_

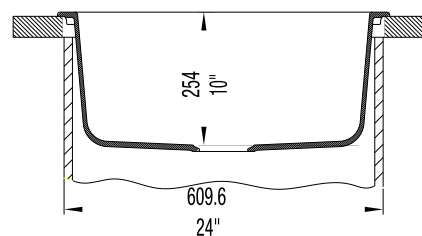
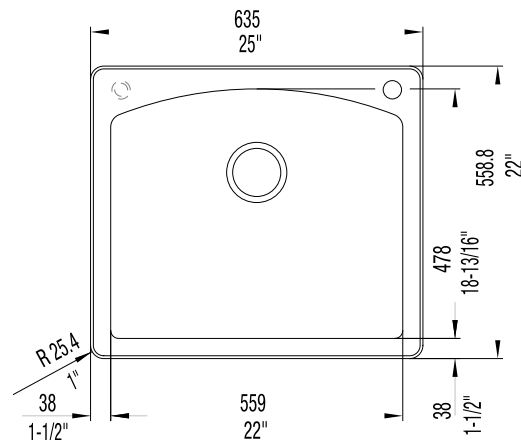
Contractor: \_\_\_\_\_



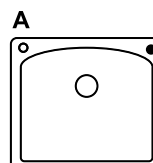
**NOMINAL DIMENSIONS**

OVERALL	CUTOUT SIZE	BOWL DEPTH	DRAIN DIAMETER
25 x 22	24-1/4 x 21-1/4	10	3-1/2

DXF cutout templates (Undermount and Drop-In versions) available on our web site



**KNOCKOUT HOLE LOCATIONS**  
Pre-drilled for single-hole faucet.



**BLANCO AMERICA**  
**800.451.5782**  
**www.blancoamerica.com**