

#### FEATURED MODEL

440524 TORINO PULL OUT Kitchen CAFE BROWN

#### ADDITIONAL MODELS

441207 TORINO PULL OUT Kitchen BISCOTTI

440523 TORINO PULL OUT Kitchen CHROME

441327 TORINO PULL OUT Kitchen TRUFFLE

440522 TORINO PULL OUT Kitchen SATIN NICKEL

441208 TORINO PULL OUT Kitchen ANTHRACITE

#### FEATURES

- Solid brass body with pull-out spray
- Ceramic disc cartridge
- Color coded hot & cold supply lines
- Durable spiral flexible pull-out spray hose
- Taller height
- Maximum 2.2 G.P.M. flow rate
- Installation in a 1-3/8" hole

#### CODE/STANDARDS COMPLIANCE

ASME A112.18.1-2005

NSF 61 certified

NSF 61 ANEX G low lead requirements

**AB1953 Lead Free**

#### WARRANTY

BLANCO kitchen faucets in Chrome and Stain Nickel a LIMITED LIFETIME WARRANTY to be free of all manufacturing defects under normal use. A 5-YEAR LIMITED WARRANTY on all SILGRANIT color matching faucets. See our complete warranty for details.

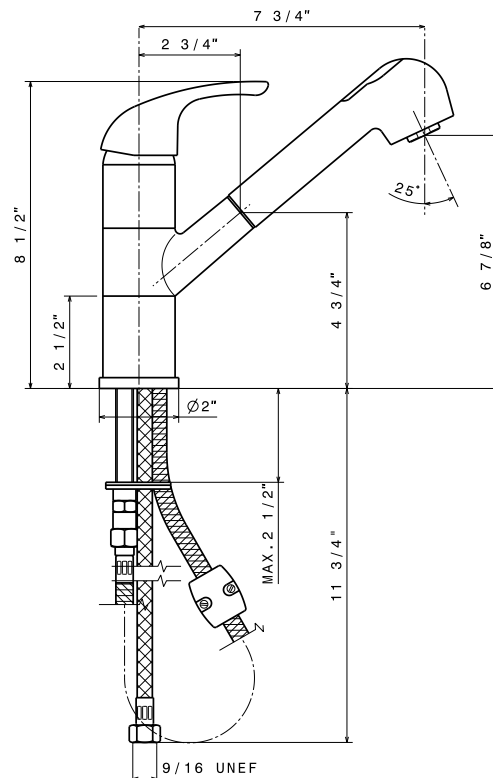
While BLANCO endeavors to provide accurate information, all dimensions are nominal, cannot be gaurenteed, and are subject to change or cancellation. BLANCO assumes no responsibility for use of superseded or voided specifications.



Model 440521 shown

#### NOMINAL DIMENSIONS

REACH	SPOUT HEIGHT	FAUCET HEIGHT
7-3/4"	6-7/8"	8-1/2"



See next page for exploded parts drawing and parts list.

#### JOB INFORMATION

Job Name: \_\_\_\_\_

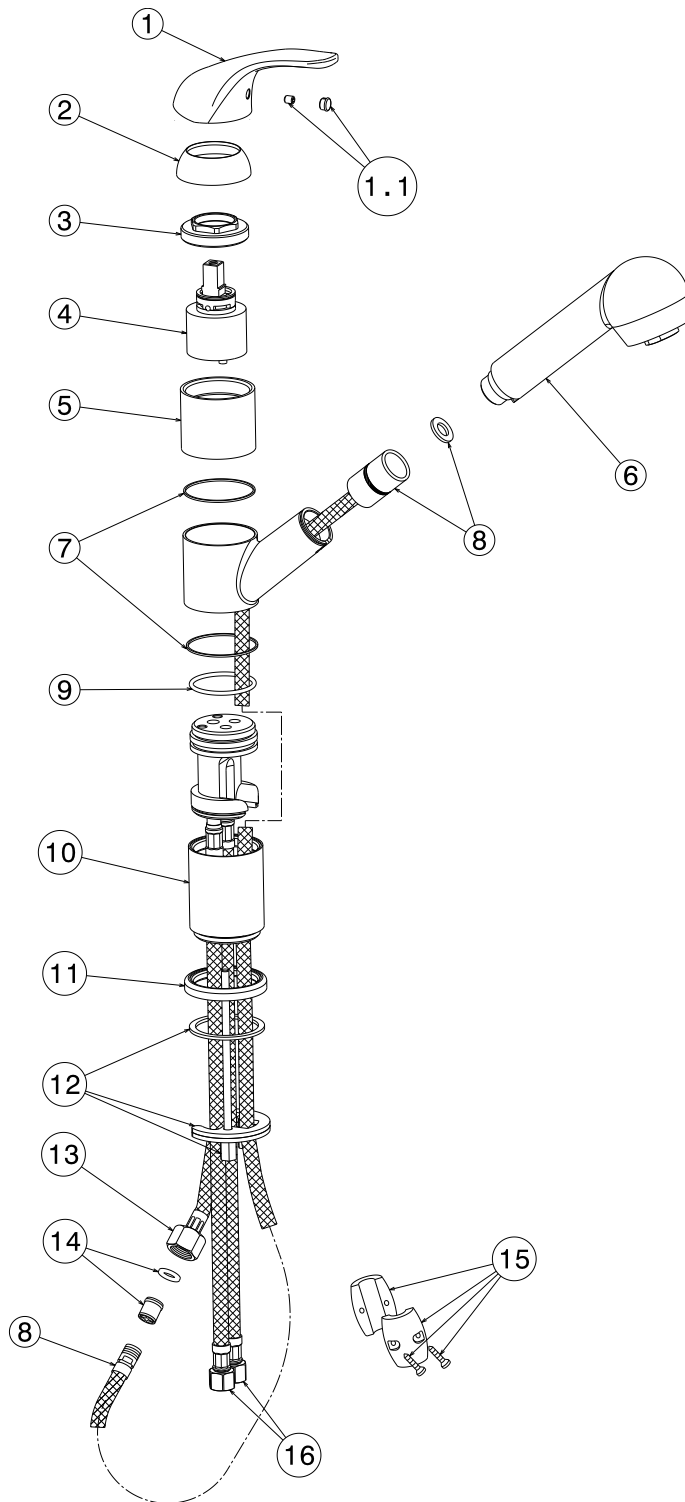
Contact: \_\_\_\_\_

Date Specified: \_\_\_\_\_

Specifier: \_\_\_\_\_

Contractor: \_\_\_\_\_

**BLANCO AMERICA**  
**800.451.5782**  
**www.blancoamerica.com**



NUM.	PART #	DESCRIPTION
1	16339	LEVER
1.1	16309	SCREW+CAP FOR LEVER
2	16319	LOCK NUT COVER
3	16317	CARTRIDGE LOCK NUT
4	16318	CARTRIDGE
5	13202	BUSH
6	16323	SPRAY HEAD
7	13204	PLASTIC RINGS FOR SPOUT
8	15120	SPRAY FLEXI-HOSE
9	10987	O-RING
10	13206	BODY SLEEVE
11	13205	BASE
12	12352	MOUNTING SET
13	15052	SPRAY FLEXI-HOSE
14	15710	NO-RETURN VALVE
15	11960	WEIGHT
16	15051	FLEXI-HOSES