

FEATURED MODEL

440522 Pull-Out Spray, SATIN NICKEL

ADDITIONAL MODELS

- 440523 Pull-Out Spray, CHROME
- 440524 Pull-Out Spray, CAFE BROWN
- 441207 Pull-Out Spray, BISCOTTI
- 441208 Pull-Out Spray, ANTHRACITE
- 441327 Pull-Out Spray, TRUFFLE
- 441514 Pull-Out Spray, CINDER

FEATURES

- Solid brass body and pull-out spray
- Ceramic disk cartridge
- Extra long supply lines
- 2.2 GPM flow rate
- Installation in a 1-3/8" hole
- Color coded hot and cold supply lines
- 120 degree spout swivel
- 1-1/2" maximum deck thickness

OPTIONAL ACCESSORIES

- Deluxe Soap Dispenser: 440005 (Satin Nickel)
- Meridian Soap Dispenser: 440058 (Satin Nickel)
- Alta Soap Dispenser: 440045 (Satin Nickel)
- Milano Soap Dispenser: 440049 (Satin Nickel)
- Harvest Soap Dispenser: 440053 (Satin Nickel)

CODE/STANDARDS COMPLIANCE

- ASME A112.18.1-2011
- NSF 61 certified
- NSF 61 ANEX G low lead requirements
- CMR 248 - MA

AB1953 Lead Free

WARRANTY

BLANCO'S kitchen and bar faucets feature a LIMITED LIFETIME WARRANTY to be free of all manufacturing defects under normal use. See our complete warranty for details.

While BLANCO endeavors to provide accurate information, all dimensions are nominal, cannot be guaranteed, and are subject to change or cancellation. BLANCO assumes no responsibility for use of superseded or voided specifications.

JOB INFORMATION

Job Name: _____

Contact: _____

Date Specified: _____

Specifier: _____

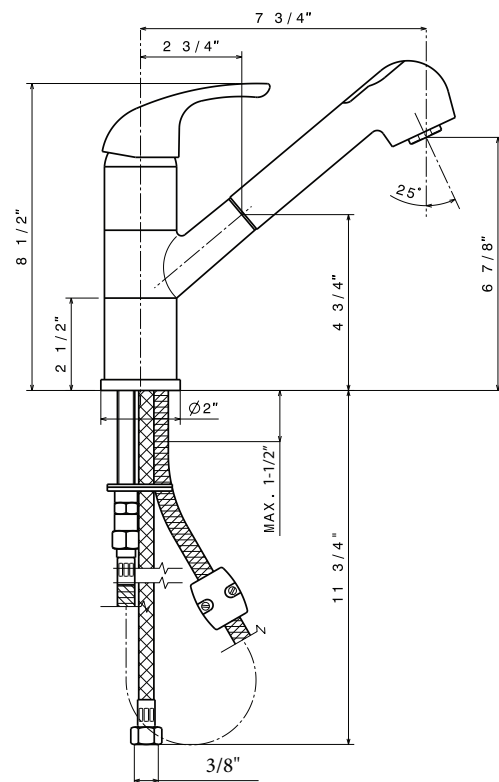
Contractor: _____



Model 440522 shown

NOMINAL DIMENSIONS

| REACH | SPOUT HEIGHT | FAUCET HEIGHT |
|--------|--------------|---------------|
| 7-3/4" | 6-7/8" | 8-1/2" |



See next page for exploded parts drawing and parts list.

BLANCO AMERICA

800.451.5782

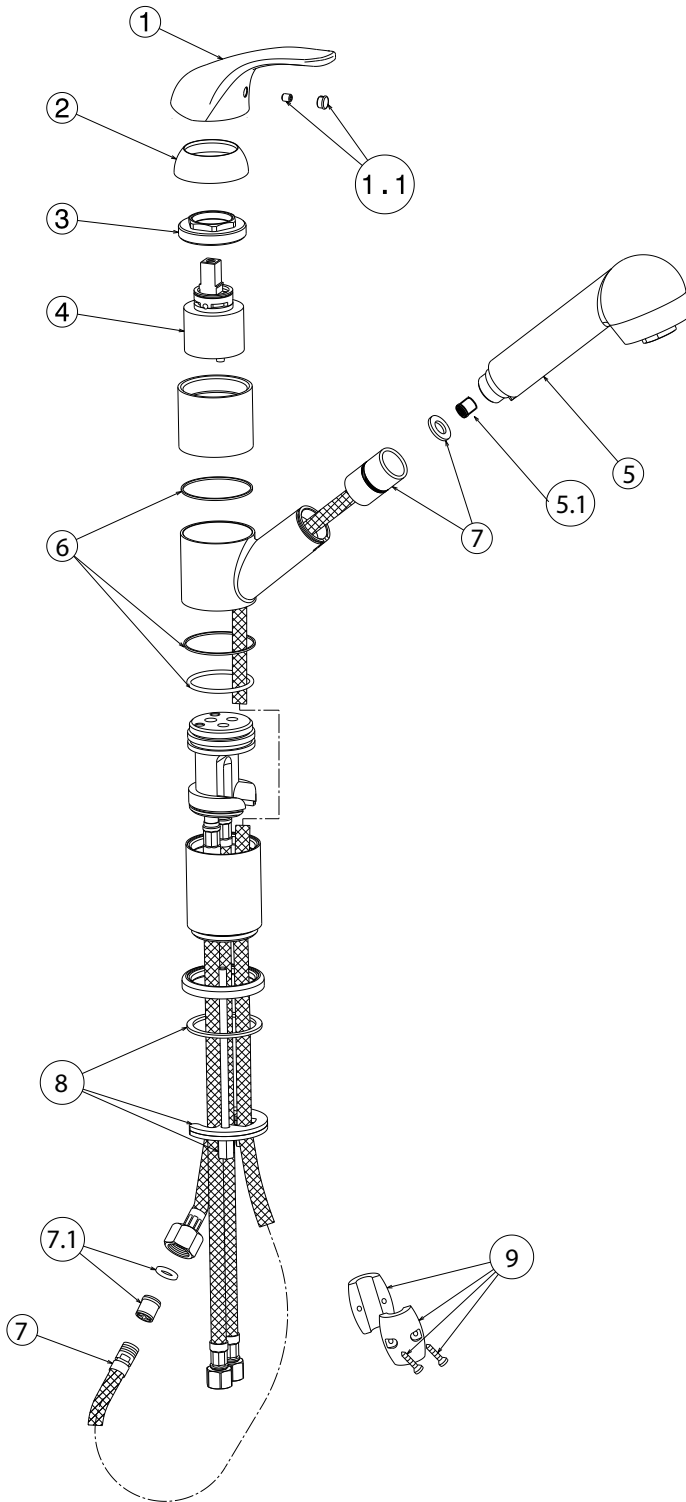
www.blancoamerica.com

© 2013 BLANCO AMERICA

10/14

SPEC-004

Old Model #: 157-183-ST



| REPAIR PART GUIDE | | |
|-------------------|--------------------------|--------|
| Num. | Description | Part # |
| 1,1.1 | Handle - Satin Nickel | 441901 |
| 1.1 | Handle screw and cap | 440890 |
| 2 | Cartridge - Cap | 441908 |
| 3 | Cartridge Lock Nut | 441914 |
| 4 | Cartridge | 441058 |
| 5,5.1 | Handspray - Satin Nickel | 441060 |
| 5.1 | Flow regulator 2.2 | 441448 |
| 6 | Ring set | 441915 |
| 7 | Hose kit | 441111 |
| 7.1 | Flow regulator | 441713 |
| 8 | Mounting set | 441916 |
| 9 | Weight | 441917 |

Need to Change a Faucet Cartridge?

Scan this QR code to see our how-to video

For faucet technical support or questions,
 please e-mail us at faucets@blancoamerica.com