

#### FEATURED MODEL

440068 PERFORMA EQUAL DOUBLE Under Mount CAFE BROWN

#### ADDITIONAL MODELS

441290 PERFORMA EQUAL DOUBLE Under Mount TRUFFLE

441226 PERFORMA EQUAL DOUBLE Under Mount BISCOTTI

440071 PERFORMA EQUAL DOUBLE Under Mount WHITE

440070 PERFORMA EQUAL DOUBLE Under Mount BISCUIT

440069 PERFORMA EQUAL DOUBLE Under Mount ANTHRACITE

440072 PERFORMA EQUAL DOUBLE Under Mount METALLIC GRAY

#### FEATURES

- Required Outside Cabinet: 36"
- 80% solid granite
- Heat resistant up to 536°F
- Unsurpassed cleanability backed by industry leading 7 patents!
- Resistant to scratches, stains and all household acids and alkali solutions
- Template provided with approximate 1/8" reveal
- Under mount clips included
- Limited lifetime warranty

#### OPTIONAL ACCESSORIES

Walnut Cutting Board - 222587

Stainless Steel Sink Grid (right bowl) - 222469

Stainless Steel Sink Grid (left bowl) - 222429

#### CODE/STANDARDS COMPLIANCE

ANSI Z124.6-97

IAPMO/UPC listed

#### WARRANTY

BLANCO'S SILGRANIT II Series sinks feature a LIMITED LIFETIME WARRANTY to be free of all manufacturing defects under normal use. See our complete warranty for details.

While BLANCO endeavors to provide accurate information, all dimensions are nominal, cannot be guaranteed, and are subject to change or cancellation. BLANCO assumes no responsibility for use of superseded or voided specifications.

#### JOB INFORMATION

Job name: \_\_\_\_\_

Contact: \_\_\_\_\_

Date Specified: \_\_\_\_\_

Specifier: \_\_\_\_\_

Contractor: \_\_\_\_\_

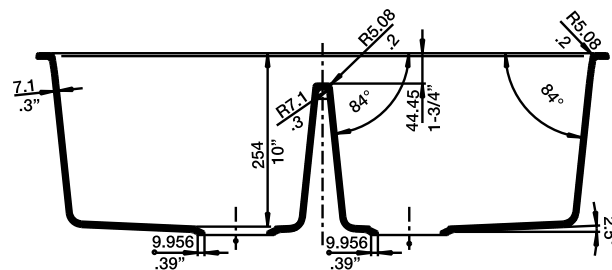
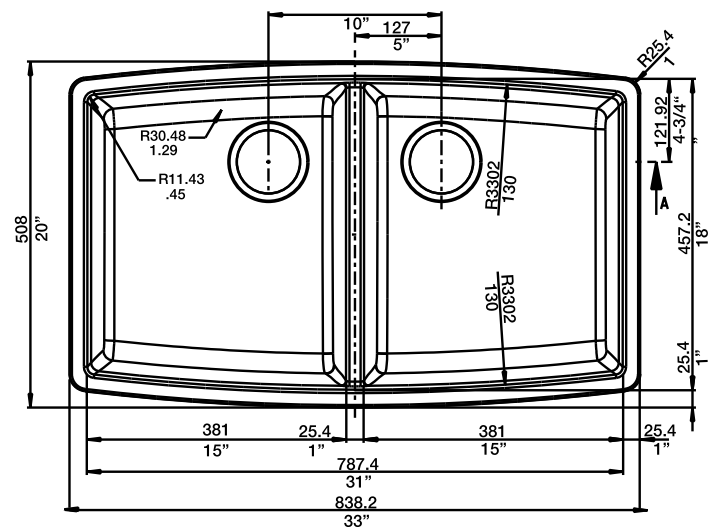


#### NOMINAL DIMENSIONS

Model 440069 shown

OVERALL	CUT OUT SIZE	BOWL LEFT	DEPTH RIGHT	DRAIN
33 x 20	template provided with approximate 1/8" reveal	10	10	3-1/2

DXF cutout templates available on our web site.



BLANCO AMERICA

800.451.5782

www.blancoamerica.com

© 2011 BLANCO  
2/11

SPEC-003