

FEATURED MODEL

440214 DIAMOND 1-3/4 Bowl Drop-in METALLIC GRAY

ADDITIONAL MODELS

- 440216 DIAMOND 1-3/4 Bowl Drop-in WHITE
- 440217 DIAMOND 1-3/4 Bowl Drop-in BISCUIT
- 440215 DIAMOND 1-3/4 Bowl Drop-in ANTHRACITE
- 440213 DIAMOND 1-3/4 Bowl Drop-in CAFE BROWN
- 441283 DIAMOND 1-3/4 Bowl Drop-in TRUFFLE
- 441216 DIAMOND 1-3/4 Bowl Drop-in BISCOTTI

Versatile dual deck design can be installed as a drop-in or undermount.

FEATURES

- Required Outside Cabinet for drop-in installation: 33"
- Required Cabinet for undermount installation: 35"
- 80% solid granite
- Heat resistant up to 536°F
- Unsurpassed cleanability backed by industry leading 7 patents!
- Resistant to scratches, stains and all household acids and alkali solutions
- Template provided
- Under mount clips NOT included
- Limited lifetime warranty

OPTIONAL ACCESSORIES

- Cutting Board (Fits Drop-In sink only) - 440228
- Colander - 440492
- Stainless Steel Sink Grid Large - 220098
- Stainless Steel Sink Grid Small - 220999

CODE/STANDARDS COMPLIANCE

ANSI Z124.6-97
 IAPMO/UPC listed

WARRANTY

BLANCO'S SILGRANIT II Series sinks feature a LIMITED LIFETIME WARRANTY to be free of all manufacturing defects under normal use. See our complete warranty for details.

While BLANCO endeavors to provide accurate information, all dimensions are nominal, cannot be guaranteed, and are subject to change or cancellation. BLANCO assumes no responsibility for use of superseded or voided specifications.

JOB INFORMATION

Job Name: _____

Contact: _____

Date Specified: _____

Specifier: _____

Contractor: _____

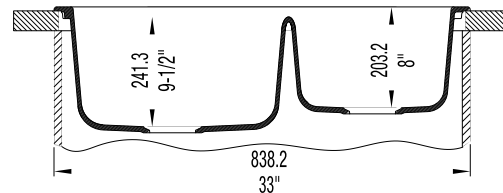
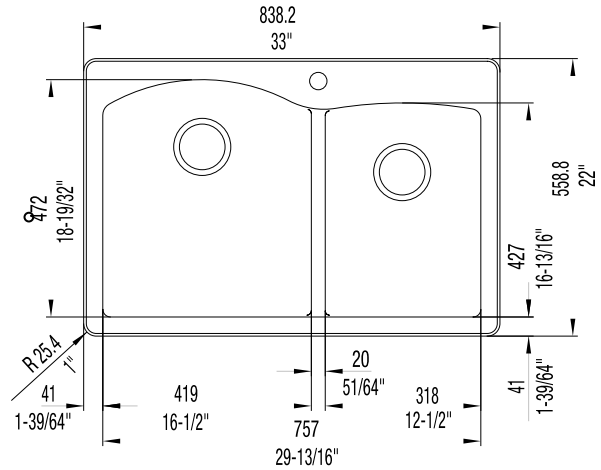


Model 440214 shown

NOMINAL DIMENSIONS

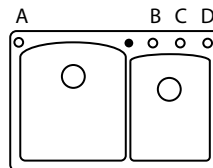
OVERALL	CUTOUT SIZE	BOWL DEPTH LEFT	BOWL DEPTH RIGHT	DRAIN DIAMETER
33 x 22	32-1/4 x 21-1/4	9-1/2	8	3-1/2

DXF cutout templates (Undermount and Drop-In versions) available on our web site.



KNOCKOUT HOLE LOCATIONS

Pre-drilled for single hole faucet.



BLANCO AMERICA
 800.451.5782
www.blancoamerica.com