

FEATURED MODEL

520855 Medium with Drainer, 7-1/2" bowl depth, BISCOTTI

ADDITIONAL MODELS

- 520857 Medium with Drainer, 7-1/2" bowl depth, CAFE BROWN
- 520850 Medium with Drainer, 7-1/2" bowl depth, ANTHRACITE
- 520852 Medium with Drainer, 7-1/2" bowl depth, METALLIC GRAY
- 520856 Medium with Drainer, 7-1/2" bowl depth, TRUFFLE
- 520853 Medium with Drainer, 7-1/2" bowl depth, WHITE
- 520854 Medium with Drainer, 7-1/2" bowl depth, BISCUIT
- 520851 Medium with Drainer, 7-1/2" bowl depth, CINDER

FEATURES

- Required outside cabinet: 27" Drop-in, 33" Undermount
- 80% solid granite
- Heat resistant up to 536°F
- Unsurpassed cleanability backed by industry leading 7 patents!
- Resistant to scratches, stains and all household acids and alkali solutions
- Template provided with approximate 1/8" reveal
- Undermount clips provided
- Limited lifetime warranty
- Drain NOT included

OPTIONAL ACCESSORIES

- Sink Grid: 232122
- Cutting Board Beech: 218313
- Colander Stainless Steel: 227689
- Stainless Steel Mesh Colander: 223297

CODE/STANDARDS COMPLIANCE

ANSI Z124.6-97
IAPMO/UPC listed

WARRANTY

BLANCO'S SILGRANIT II Series sinks feature a LIMITED LIFETIME WARRANTY to be free of all manufacturing defects under normal use. See our complete warranty for details.

While BLANCO endeavors to provide accurate information, all dimensions are nominal, cannot be guaranteed, and are subject to change or cancellation. BLANCO assumes no responsibility for use of superseded or voided specifications.

JOB INFORMATION

Job Name: _____

Contact: _____

Date Specified: _____

Specifier: _____

Contractor: _____



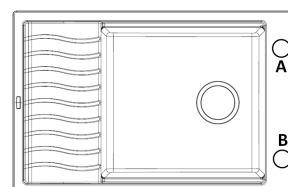
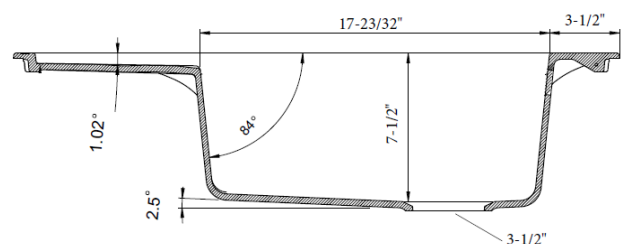
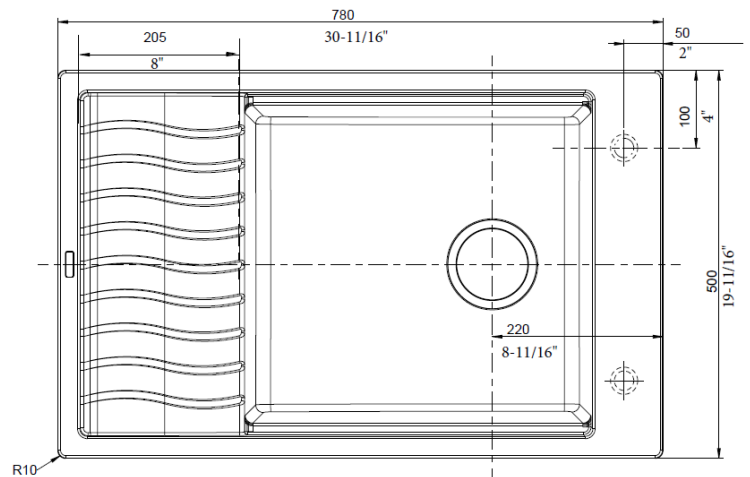
Drainer grid included

Model 520851 shown

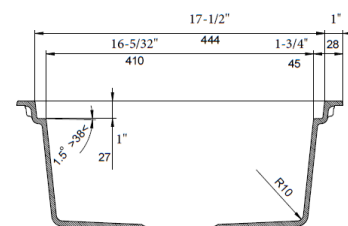
NOMINAL DIMENSIONS

OVERALL	CUTOUT SIZE	BOWL DEPTH	DRAIN DIAMETER
30-11/16"x19-11/16"	8-11/16"	7-1/2"	3-1/2"
approximate 1/8" reveal			

DXF cutout templates available on our website.



KNOCKOUT HOLE LOCATIONS



BLANCO AMERICA

800.451.5782

www.blancoamerica.com

© 2014 BLANCO AMERICA

9/14

SPEC-001