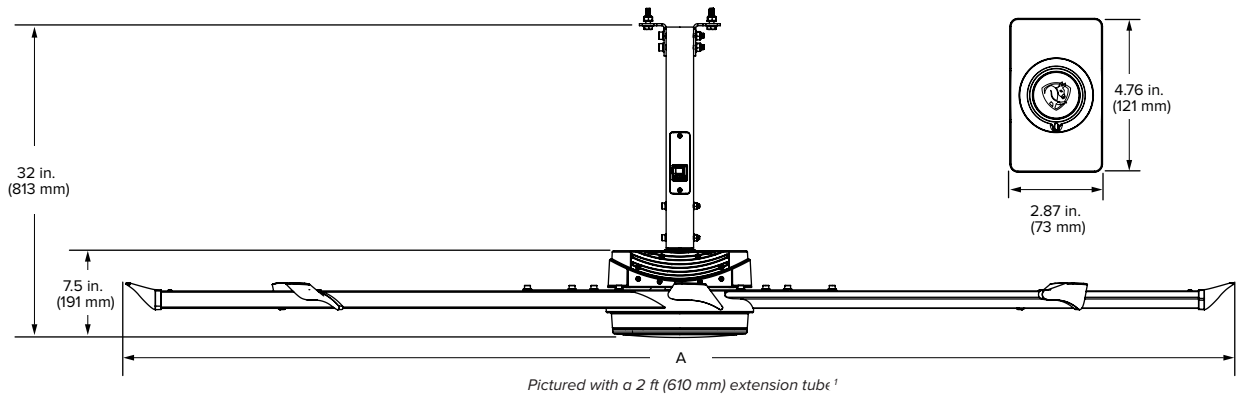


E SERIES

BIG AIR MOVEMENT FOR BIG SPACES



Technical Specifications

Model ¹	Diameter (A)	Weight	Max speed	Airfoil Clearances ²	Input power and breaker	Sound at max speed ³
E7	7 ft (2.1 m)	69 lb (31.3 kg)	198 RPM	10 ft (3 m) above floor 2 ft (0.6 m) on sides 2 ft (0.6 m) below ceiling deck	110–125 VAC, 1 Φ, 50/60 Hz, 10 A 200–240 VAC, 1 Φ, 50/60 Hz, 10 A	< 35 dBA
E10	10 ft (3 m)	76.8 lb (34.8 kg)	124 RPM			
E12	12 ft (3.7 m)	82.2 lb (37.3 kg)	85 RPM			

Construction Features

Airfoils	Motor and Drive	Onboard Controls	Extension Tube ¹	Controller	Environment and Efficiency	Colors
Six anodized Mini-Ellipto airfoils with plug-style winglets (BAF yellow)	Gearless direct drive motor Permanent magnet design reduces power consumption	Onboard electronic microprocessors allow for variable speed settings	E7 and E10: 2 ft (0.6 m) tube E12: 3 ft (0.9 m) tube Optional: 3 to 15 ft (0.9 to 4.6 m)	Wired wall controller mounts in standard single-gang junction box or to wall surface Connects with 10 V CAT 5 cable and RJ45 connector	Suitable for indoor spaces Provides cooling over the same area as up to 42 conventional ceiling fans	Silver with yellow trim and motor housing



Controller



¹ Includes mount and 2 ft (610 mm) extension tube with E7 and E10 models. E12 models include a 3 ft (914 mm) extension tube.

² E7 and E10 models are suitable for ceilings as low as 13 ft (4 m). E12 model is suitable for ceilings as low as 14 ft (4.3 m).

³ Fans are sound tested at maximum speed in a laboratory environment. Actual results in field conditions may vary due to sound reflecting surfaces and environmental conditions.

Lead times may vary. Specifications subject to change without notice.

Warranty period and terms vary by country and application.

To view your full warranty, visit bigassfans.com/product-warranties.



USA
BIGASSFANS.COM
877-244-3267

CANADA
BIGASSFANS.COM
844-924-4277

AUSTRALIA
BIGASSFANS.COM/AU
1300 244 277

SINGAPORE
BIGASSFANS.COM/SG
65 6709 8500