

## For factory-prepared doors only

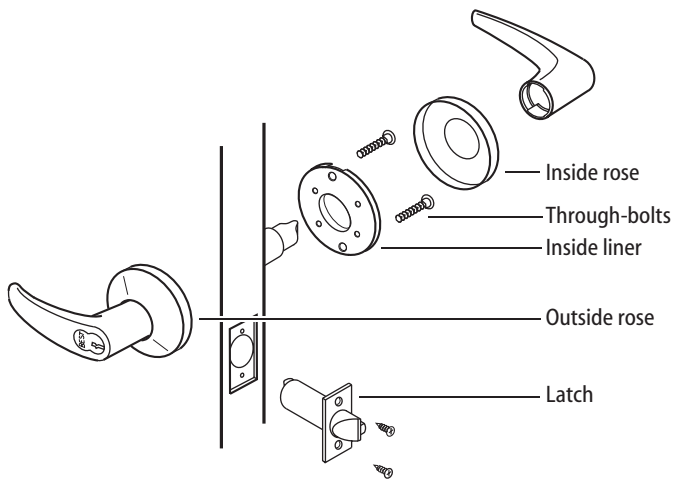


Figure 1 — Overview diagram

**Caution:** If you use hollow metal doors, determine whether the doors are reinforced enough to support the lock. If door reinforcement is not adequate, consult the door manufacturer for information on proper reinforcement.

### Simplified instructions

- 1 Install the latch so that the bevel on the latchbolt faces the strike.
- 2 Adjust the outside rose assembly so that the chassis is centered in the door. Install the chassis from the outside of the door.
- 3 Install the inside liner, through-bolts, rose, lever and strike.

For field door preparation and detailed installation instructions, see the following tasks.

## 1 Position template

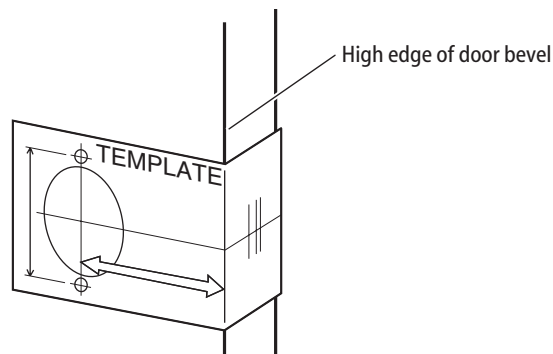


Figure 2 — Placing the template on the high side of the door bevel

- 1 Fold the template and place in position on the high edge of the door bevel (see Figure 2).
- 2 Mark the drill points.

**Note:** Suggested height from floor to centerline of the lock is 40 5/16". If steel frames are used, the latch centerline must be in line with the center of the strike preparation.

## 2 Bore two holes and install latch

- 1 Bore a 2 1/8" diameter hole from both sides of the door, to the center of the door.
- 2 Drill a 1" diameter hole from the edge of the door that intersects the 2 1/8" hole.
- 3 Mortise the door edge for the latch face.
- 4 Install the latch and check the door swing. Latch tabs should project into the 2 1/8" diameter hole. See Figure 3 in task 3.

## 3 Install boring jig and drill two 5/16" diameter holes

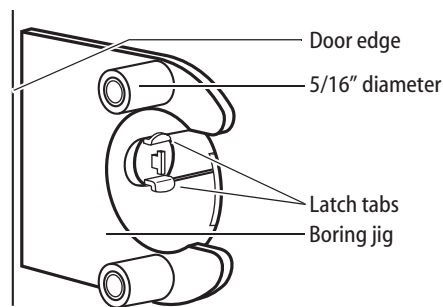


Figure 3 — Positioning the boring jig for drilling the 5/16" holes

- 1 Install the boring jig (KD303) onto the door and engage with latch tabs. Make sure the front edge of the jig is parallel with the door edge (see Figure 3).
- 2 Drill two 5/16" diameter holes halfway into the door.
- 3 Turn the boring jig over and repeat steps one and two from the opposite side of the door.

**Note:** Replace the boring jig after ten door preparations.

## 4 Adjust lockset to door thickness

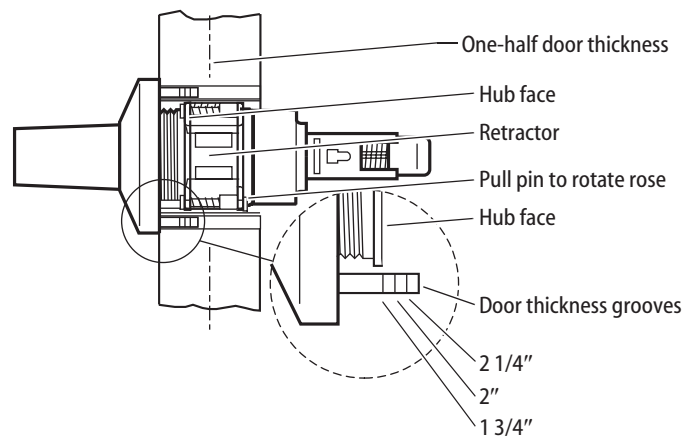


Figure 4 — Adjusting the lock chassis for door thickness

- Pull the rose locking pin and rotate the outside rose liner in or out

until the proper door thickness groove on the through bolt stud, lines up with the hub face (see Figure 4—blow-up).

**Note 1:** Make sure the locking pin locks into the rose liner.

**Note 2:** Locksets will fit doors 1 3/4" to 2 1/4" thick. (A spacer is available for 1 3/8" doors.) See the enlarged view for the correct rose adjustment for these thicknesses.

## 5 Engage retractor in latch

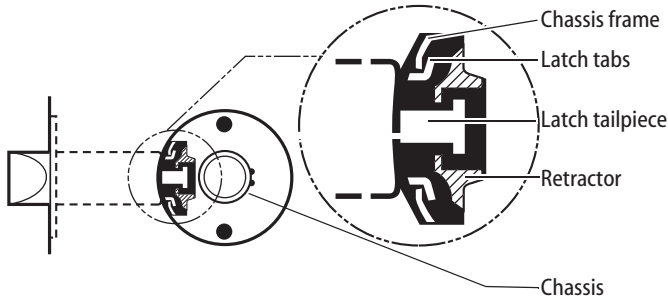


Figure 5 — Engaging the latch and retractor

- With the latch in place, install the chassis from the outside. Make sure the latch tabs engage the chassis frame and the latch tailpiece engages the retractor (see Figure 5).

## 6 Install liner, through-bolts, rose and lever

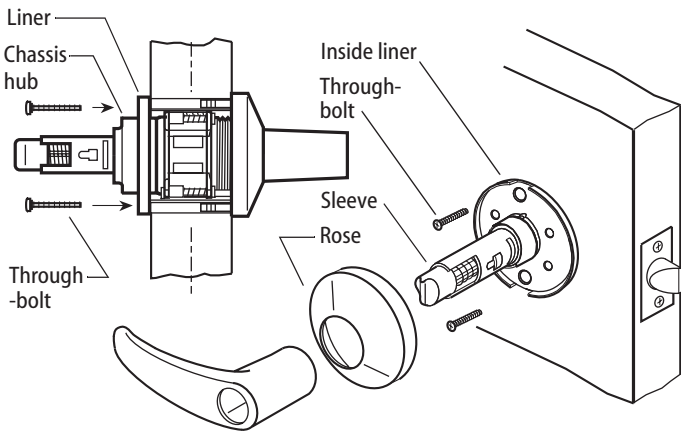


Figure 6 — Installing liner, through bolts, rose, and lever

**Note:** For lead-lined locksets, slide the lead shield (not shown) over the sleeve and into the 2 1/8" hole.

- Align the holes in the liner with the holes prepared in the door.
- Install through-bolts through the liner and door in the top and bottom holes (see Figure 6).
- Tighten the liner onto the door with the through-bolts.
- Slide the rose over the sleeve, then press the rose onto the liner. The rose should fit closely to the door surface.
- With the lever pointing toward the hinges, push the lever on firmly until seated.

## 7 Install strike plate

- In alignment with the center of the latchbolt, mortise the door jamb to fit the strike box and strike plate.

**Caution:** The deadlocking plunger of the latchbolt must not enter the strike plate opening. The plunger deadlocks the latchbolt and prevents forcing the latch when the door is closed. A gap of more than 1/8" may reduce security and/or cause improper operation of the latchbolt.

- Insert the strike box and secure the strike with screws provided (see Figure 7).

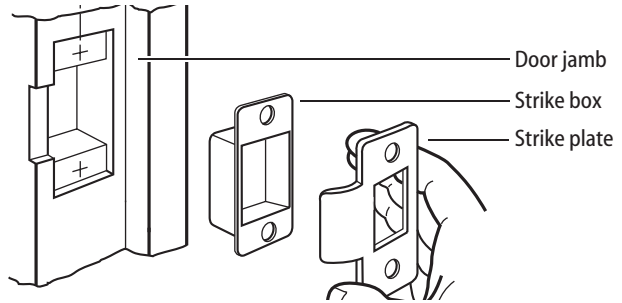


Figure 7 — Installing the strike

## 8 Install core

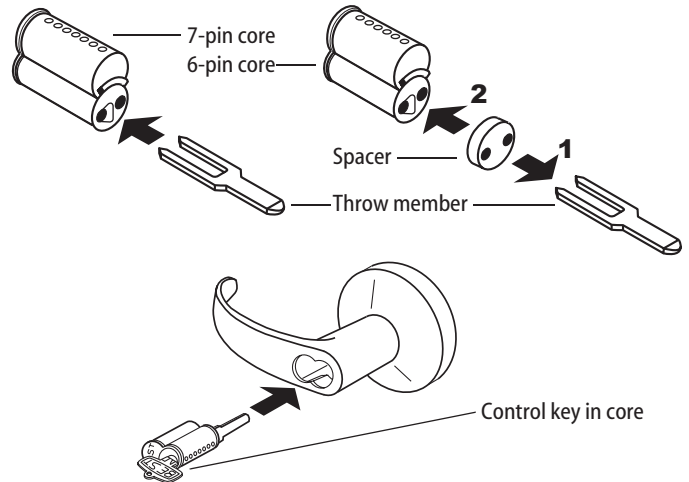


Figure 8 — Installing the core

**For 6-pin core users only:** Slide the spacer — supplied with your 6-pin cores — over the 7-pin throw member (see Figure 8, top right).

**Note:** If you have ordered 6-pin cores, you will get one spacer per core with your order. Spacers are not supplied with locks.

- Insert the throw member (or throw member and spacer) into the back of the core (see Figure 8, top).
- Put the control key into the core and turn the key 15 degrees clockwise.
- Put the core and throw member into the lever with the control key (see Figure 8, bottom).
- Turn the key 15 degrees counterclockwise and remove the key.

**Caution:** Since the control key is a high-security key, make sure to keep it protected.