

## UCB3I SERIES

⚠ INTENDED FOR DOMESTIC COOKING ONLY ⚠

**READ AND SAVE THESE INSTRUCTIONS**

INSTALLER: LEAVE THIS MANUAL WITH HOMEOWNER.  
HOMEOWNER: USE AND CARE INFORMATION ON PAGES 8 AND 9.

BEST; Hartford, Wisconsin [www.BestRangeHoods.com](http://www.BestRangeHoods.com) 800-558-1711  
BEST; Drummondville, QC, Canada [www.BestRangeHoods.ca](http://www.BestRangeHoods.ca) 866-737-7770



## **WARNING**

---

### **TO REDUCE THE RISK OF FIRE, ELECTRIC SHOCK OR INJURY TO PERSONS, OBSERVE THE FOLLOWING:**

1. Use this unit only in the manner intended by the manufacturer. If you have questions, contact the manufacturer at the address or telephone number listed in the warranty.
2. Before servicing or cleaning unit, switch power off at service panel and lock service disconnecting means to prevent power from being switched on accidentally. When the service disconnecting means cannot be locked, securely fasten a prominent warning device, such as a tag, to the service panel.
3. Installation work and electrical wiring must be done by qualified personnel in accordance with all applicable codes and standards, including fire-rated construction codes and standards.
4. Sufficient air is needed for proper combustion and exhausting of gases through the flue (chimney) of fuel burning equipment to prevent backdrafting. Follow the heating equipment manufacturer's guidelines and safety standards such as those published by the National Fire Protection Association (NFPA) and the American Society for Heating, Refrigeration and Air Conditioning Engineers (ASHRAE) and the local code authorities.
5. When cutting or drilling into wall or ceiling, do not damage electrical wiring and other hidden utilities.
6. Ducted fans must always be vented outdoors.
7. To reduce the risk of fire or electric shock, do not use this unit with any additional solid-state speed control device.
8. To reduce the risk of fire, use only metal ductwork.
9. This unit must be grounded.
10. All tempered glass can experience spontaneous breakage. If broken, tempered glass falls out of its opening in interlocking clumps. Tempered glass can, on occasion, break into large shards rather than the classic tiny piece pattern.
11. When applicable local regulations comprise more restrictive installation and/or certification requirements, the aforementioned requirements prevail on those of this document and the installer agrees to conform to these at his own expense.

### **TO REDUCE THE RISK OF A RANGE TOP GREASE FIRE:**

- a) Never leave surface units unattended at high settings. Boilovers cause smoking and greasy spillovers that may ignite. Heat oils slowly on low or medium settings.
- b) Always turn hood ON when cooking at high heat or when flambeing food (i.e.: Crêpes Suzette, Cherries Jubilee, Peppercorn Beef Flambé).
- c) Clean ventilating fans frequently. Grease should not be allowed to accumulate on fan, filters or in exhaust ducts.
- d) Use proper pan size. Always use cookware appropriate for the size of the surface element.

## **WARNING**

---

### **TO REDUCE THE RISK OF INJURY TO PERSONS IN THE EVENT OF A RANGE TOP GREASE FIRE, OBSERVE THE FOLLOWING\*:**

1. SMOTHER FLAMES with a close-fitting lid, cookie sheet or metal tray, then turn off the burner. BE CAREFUL TO PREVENT BURNS. IF THE FLAMES DO NOT GO OUT IMMEDIATELY, EVACUATE AND CALL THE FIRE DEPARTMENT.
2. NEVER PICK UP A FLAMING PAN — You may be burned.
3. DO NOT USE WATER, including wet dishcloths or towels — This could cause a violent steam explosion.
4. Use an extinguisher ONLY if:
  - A. You own a Class ABC extinguisher and you know how to operate it.
  - B. The fire is small and contained in the area where it started.
  - C. The fire department has been called.
  - D. You can fight the fire with your back to an exit.

\* Based on "Kitchen Fire Safety Tips" published by NFPA.

## **CAUTION**

---

1. For indoor use only.
2. For general ventilating use only. Do not use to exhaust hazardous or explosive materials and vapors.
3. To avoid motor bearing damage and noisy and/or unbalanced impellers, keep drywall spray, construction dust, etc. off power unit.
4. Your hood motor has a thermal overload which will automatically shut off the motors if it overheats. The motors will restart when cooled down. If the motor(s) continues to shut off and restart, have the hood serviced.
5. The minimum hood distance above cooktop must not be less than 24". A maximum of 30" above cooktop is highly recommended for best capture of cooking impurities. **For a gas range**, the bottom of the hood **MUST NOT BE LESS** than 30" above cooktop.
6. Two installers are recommended because of the large size and weight of this unit.
7. To reduce the risk of fire and to properly exhaust air, be sure to duct air outside — Do not exhaust air into spaces within walls or ceiling or into attics, crawl space or garage.
8. Because of the high exhausting capacity of this unit, you should make sure enough air is entering the house to replace exhausted air by opening a window close to or in the kitchen.
9. Use with approved cord-connection kit only.
10. Please read specification label on product for further information and requirements.

# TABLE OF CONTENTS

1.	INSTALL DUCTWORK.....	3
2.	PREPARE THE INSTALLATION.....	4
3.	PREPARE THE HOOD.....	4-5
4.	INSTALL GLASS PANEL (WITHOUT GLASS MODELS ONLY).....	5
5.	INSTALL THE ADAPTER/DAMPER.....	6
6.	INSTALL THE HOOD.....	7
7.	CONNECT WIRING.....	7
8.	REINSTALL BLOWER WHEEL AND BOTTOM PANEL.....	7
9.	REINSTALL HYBRID FILTERS.....	8
10.	LED LIGHTING.....	8
11.	CARE.....	8
12.	OPERATION.....	9
13.	WIRING DIAGRAM.....	10
14.	SERVICE PARTS.....	11
15.	WARRANTY.....	12

## 1. INSTALL DUCTWORK

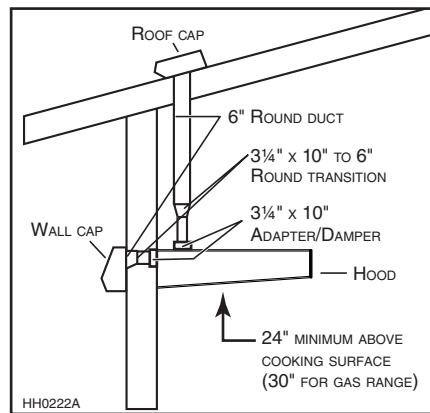
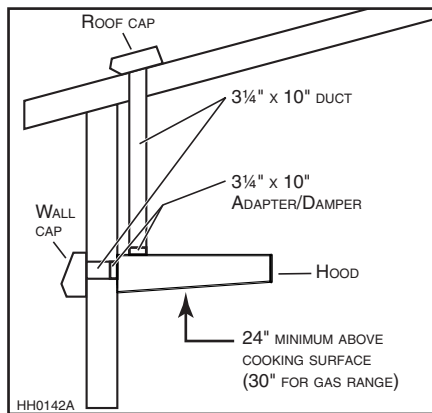
Plan where and how the ductwork will be installed.

The ducting from this fan to the outside of the building has a strong effect on the air flow, noise and energy use of the fan. Use the shortest, straightest duct routing possible for best performance, and avoid installing the fan with smaller ducts than recommended. Insulation around the ducts can reduce energy loss and inhibit mold growth. Fans installed with existing ducts may not achieve their rated airflow. Refer to the table at the bottom of this page to help you plan the most efficient installation.

Install wall or roof cap; once done, ensure there is no leak in house insulation. Connect metal ductwork to cap and work back towards the hood location. If 6" round ducts are installed, use a 3/4" x 10" to 6" transition positioned, if possible, 18" away from the adapter/damper. Use 2" metal foil duct tape to seal the joints.

**We recommend to install the hood at a minimum distance of 24" from an electric range and of 30" from a gas range.**

Distances over 30" are at the installer and users discretion.



**MAXIMUM DUCT LENGTHS RECOMMENDED TO ACHIEVE 80% EXHAUST EFFICIENCY**

3 1/4" x 10" MAXIMUM DUCT LENGTH	6" ROUND MAXIMUM DUCT LENGTH	ROOF OR WALL CAP WITH DAMPER	ELBOW(S)* (90° AND/OR 45°)
60 FT.	-	1	0
50 FT.	-	1	1
40 FT.	-	1	2
-	50 FT.	1	0
-	40 FT.	1	1
-	30 FT.	1	2

\*STANDARD ELBOWS WITH 1" INTERNAL RADIUS.

## 2. PREPARE THE INSTALLATION

### ⚠ WARNING

**When performing installation, servicing or cleaning the unit, it is recommended to wear safety glasses and gloves.**

NOTE: Before proceeding to the installation, check the contents of the box. If items are missing or damaged, contact the manufacturer.

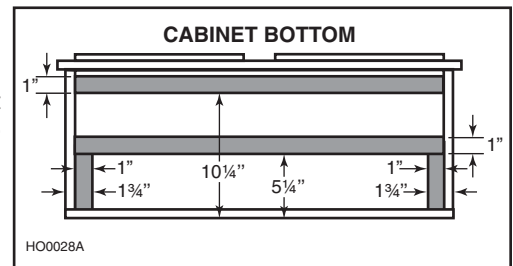
Make sure that the following items are included:

- Hood
- Accessories:
  - 2 hybrid filters
  - 3/4" x 10" adapter/damper (located in one styrofoam end cap)
  - Parts bag (located in one styrofoam end cap) including:
    - 1 wire clamp, 9 no. 8 x 1/2" screws, 2 wire connectors and 3 no. 6 x 1/2" standard screws

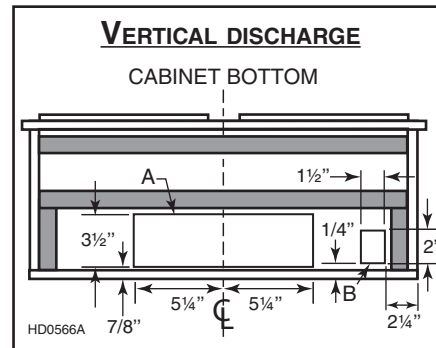
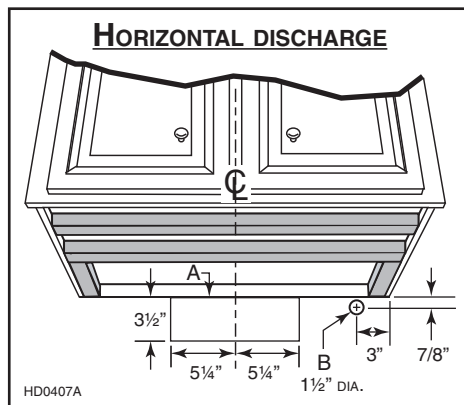
Parts sold separately:

- Ducts, elbows, wall or roof caps
- Transition 3/4" x 10" to 6" round (optional, for 6" round ducts installation only)
- Glass panel for UCB3I30SBN and UCB3I36SBN models (see service parts list on page 11)

- NOTES: 1. During installation, protect countertop and/or cooktop.  
 2. If the bottom of the cabinet is recessed, attach four 1" wide wood strips (not included), as shown at right, in order to properly attach the hood to the cabinet. The wood strips must be as thick as recess.

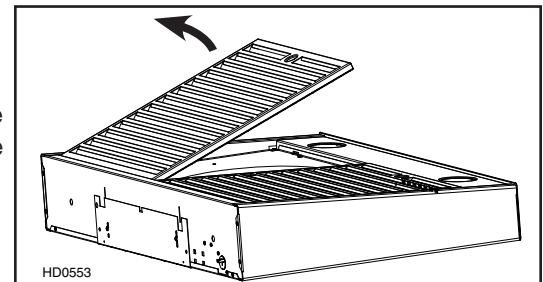


Cut-out the openings for duct (A) and power cable (B), in cabinet or wall, according to the direction of discharge chosen. See figures below.



## 3. PREPARE THE HOOD

- 3.1 Lay the hood filters up on a table. Use a piece of cardboard to avoid damaging the table or the hood. Remove tape on filters. Lift filters by pushing them towards the back and flip them up, then set the filters aside.



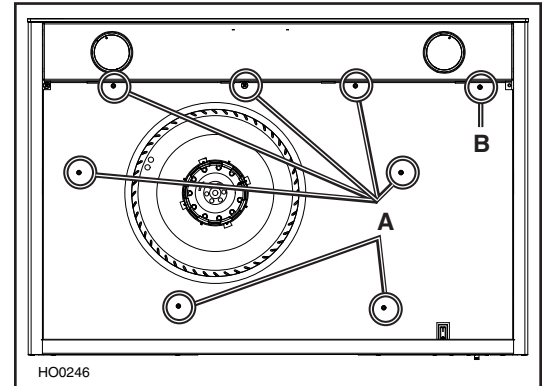
### 3. PREPARE THE HOOD (CONT'D)

#### 3.2 FOR 30" WIDE HOODS:

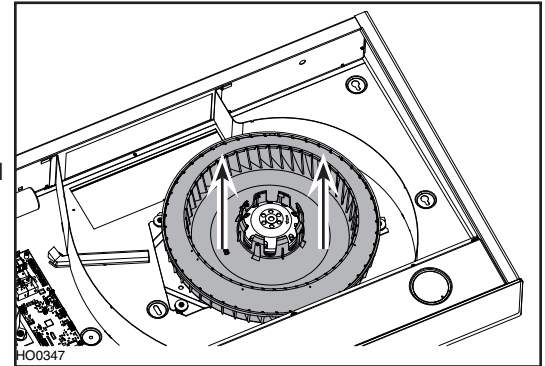
Remove the 7 screws (**A only**) retaining the bottom panel, and set aside.

#### FOR 36" WIDE HOODS:

Remove the 8 screws (**A and B**) retaining the bottom panel and set aside.



3.3 Using both hands, gently pull on the blower wheel to remove. Set blower wheel aside.



### 4. INSTALL GLASS PANEL (SBN MODELS ONLY)

The SBN hood models decorative glass panel is sold separately and has to be installed before completing the hood installation.

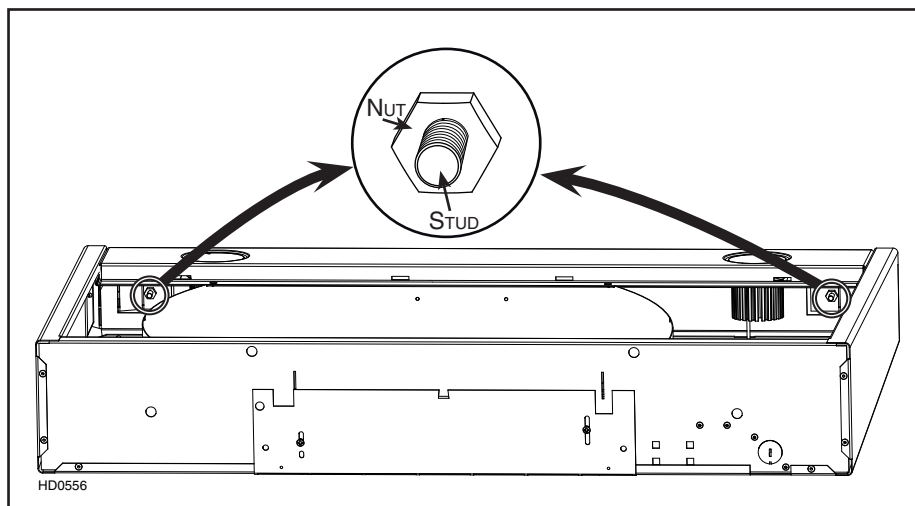
4.1 Carefully remove glass panel from its packaging.

Remove glass panel nuts (factory installed) from both studs and set aside.

4.2 Insert glass panel studs in hood front holes.

4.3 While holding glass panel, pre-tighten previously removed nuts by hand. Ensure glass panel is flush with top of hood and centered from side-to-side.

Then, using a 3/8" socket, tighten nuts completely.

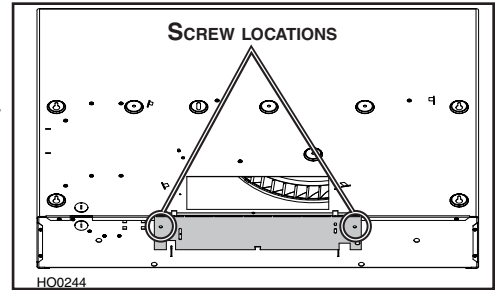


## 5. INSTALL THE ADAPTER/DAMPER (ALL MODELS)

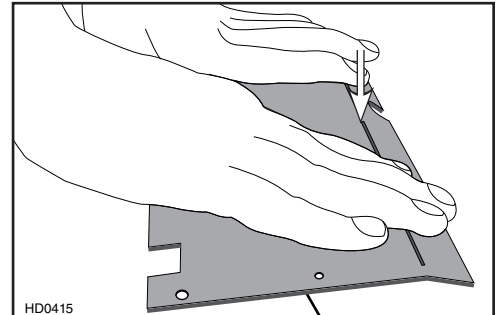
The wall duct must be roughed-in to properly interface with the hood. Before performing the installation, make sure the adapter fits easily in the duct. If this hood replaces an existing hood, please note that location of the air exhaust can vary from one manufacturer to another.

### FOR HORIZONTAL DISCHARGE ONLY:

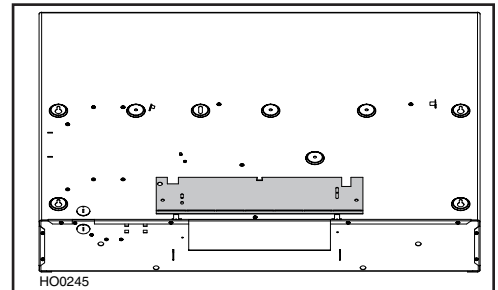
Turn the hood over and remove the metal shutoff plate from the back of the hood, by removing both retaining screws. Set screws aside.



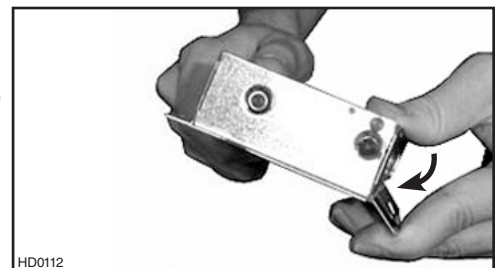
Press the metal shutoff plate on a flat surface to completely flatten bent flange.



Using both screws previously removed, install the metal shutoff plate on top of the hood.

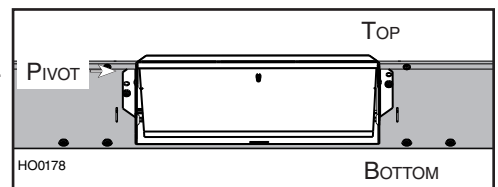


Fold down the foldable flange of the adapter/damper. This flange must be at 90° from the remaining flanges. See picture beside.



Using two no. 6 x 1/2" screws provided, secure the adapter/damper to the back of the hood. Remove tape from damper flap.

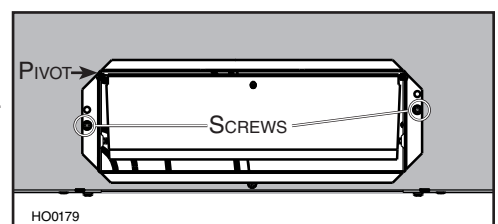
Seal the adapter/damper to the hood using metal foil duct tape.



### FOR VERTICAL DISCHARGE ONLY:

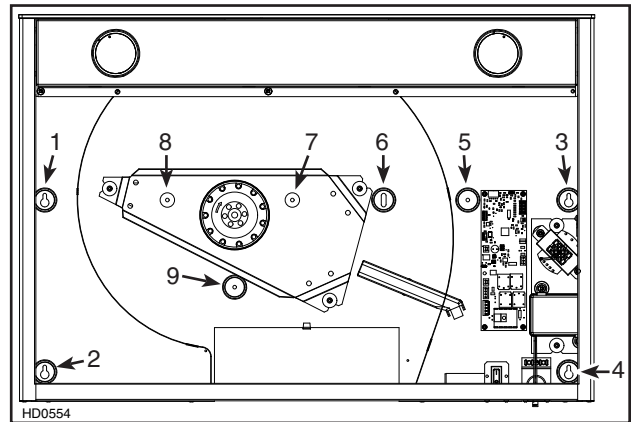
Using two no. 6 x 1/2" screws provided, secure the adapter/damper to the top of the hood. Remove tape from damper flap.

Seal the adapter/damper to the hood using metal foil duct tape.



## 6. INSTALL THE HOOD

- 6.1** Run power cable to installation location. Position the hood in its intended location. Using a pen, mark the position of the screws (as shown at right). Remove the hood.



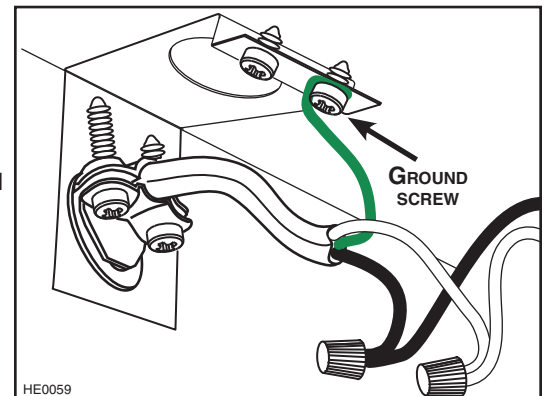
- 6.2** Install the first four no. 8 x 1/2" screws, leaving a 1/8" gap (do not install screws nos. 5, 6, 7, 8 and 9 yet).
- 6.3** Install the wire clamp and insert the power cable in the hood. Place the hood under the cabinet, slide it in position and tighten the wire clamp to secure the cable. Make sure the adapter/damper enters the duct opening. Tighten the first 4 screws completely, then add the last screws (screws nos. 5, 6, 7, 8 and 9) in the center holes. Make sure the damper flap opens freely.

## 7. CONNECT WIRING

### ⚠ WARNING

**Risk of electric shock. Electrical wiring must be done by qualified personnel in accordance with all applicable codes and standards. Before connecting wires, switch power off at service panel and lock service disconnecting means to prevent power to be switched on accidentally.**

- Connect cable to range hood wiring using included wire connectors.
- Connect BLACK to BLACK, WHITE to WHITE and GREEN or BARE WIRE to GREEN ground screw. **DO NOT FORGET TO CONNECT THE GROUND.**

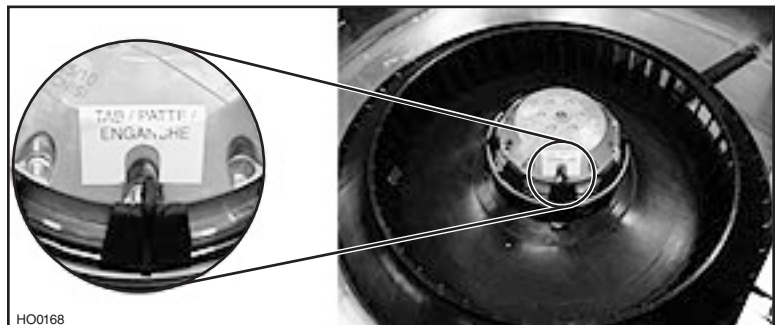


## 8. REINSTALL BLOWER WHEEL AND BOTTOM PANEL

### CAUTION

**When reinstalling the blower wheel, make sure the small tab is aligned with the yellow label on the motor.**

- 8.1** Reinstall blower wheel: Using both hands, gently push on the blower wheel until secured.
- 8.2** Insert bottom panel in the back of the hood.
- 8.3** Secure bottom panel to the hood, using the 7 or 8 screws previously removed in step 3.2.

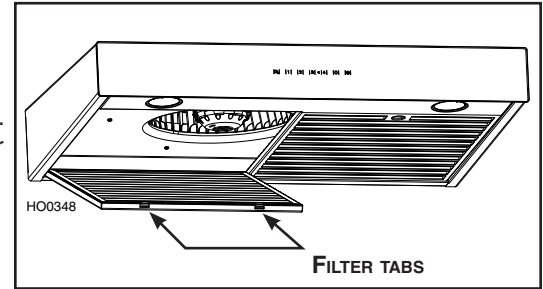


## 9. REINSTALL THE HYBRID FILTERS

### CAUTION

Remove protective plastic film covering filters before reinstalling them.

Rest rear filters edge on filter springs in the range hood. Tilt up the filters into position. Make sure filter tabs are securely engaged in range hood front edge slots after installation.



## 10. LED LIGHTING

The lighting of this hood is produced by two LED modules (included).

### ⚠ WARNING

Do not touch LED modules during or soon after operation. Burns may occur. Cannot be replaced by any other type of light bulb or LED module.

## 11. CARE

### ⚠ WARNING

Before servicing or cleaning the unit, switch power off at service panel and lock service panel to prevent power from being switched on accidentally. When the service disconnecting means cannot be locked, securely fasten a prominent warning device, such as a tag, to the service panel.

#### HYBRID FILTERS AND BOTTOM PANEL

The hybrid filters and the bottom panel should be cleaned frequently. Use a warm detergent solution.

Remove hybrid filters by pushing them towards the back of hood and rotating downward.

Clean all-metal filters in the dishwasher using a non-phosphate detergent. Discoloration of the filters may occur if using phosphate detergents, or as a result of local water conditions — this will not affect filter performance. This discoloration is not covered by the warranty. To minimize or prevent discoloration, hand wash filters using a mild detergent.

#### STAINLESS STEEL

Do:	Don't:
<ul style="list-style-type: none"><li>Regularly wash with clean cloth or rag soaked with warm water and mild soap or liquid dish detergent.</li><li>Always clean in the direction of original polish lines.</li><li>Always rinse well with clear water (2 or 3 times) after cleaning. Wipe dry completely.</li><li>You may also use a specialized household stainless steel cleaner.</li></ul>	<ul style="list-style-type: none"><li>Use any steel or stainless steel wool or any other scrapers to remove stubborn dirt.</li><li>Use any harsh or abrasive cleansers.</li><li>Allow dirt to accumulate.</li><li>Let plaster dust or any other construction residues reach the hood. During construction/renovation, cover the hood to make sure no dust sticks to stainless steel surfaces.</li></ul>

#### GLASS PANEL

Hot water with mild soap or glass cleaner is all that is usually needed.

When using mild soap, rinse with clear water. Wipe dry with a clean, soft cloth to avoid water marks.

#### **Avoid when choosing a detergent:**

- Any cleaners that contain **bleach**. They will attack stainless steel.
- Any products containing **chloride, fluoride, iodide, bromide**. They will deteriorate surfaces rapidly.
- Any combustible products used for cleaning such as **acetone, alcohol, ether, benzol**, etc. They are highly explosive and should never be used close to a range.

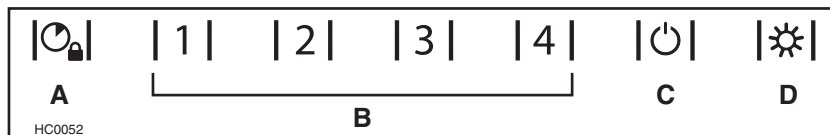


## 12. OPERATION

Always turn your hood on before you begin cooking to establish an air flow in the kitchen. Let the blower run for a few minutes to clear the air after you turn off the range.

### CAUTION

**After a power failure or during the range hood power up, a 5-second booting sequence is executed. Wait for the control backlighting to turn off before use.**



#### **A. DELAY BUTTON/CONTROL LOCK (DOUBLE FUNCTION BUTTON):**

- When a blower speed is selected, press this button to activate the delay function. The delay button will light to its high intensity, then to its mid intensity to indicate this function is activated; the selected blower speed button will alternate every 2 seconds from its high intensity to its mid intensity. The blower will continue to operate for 5 minutes and will stop automatically. Selecting an other speed while the delay function is activated will not deactivate the function or reset the timer. To cancel the delay function, press the delay button once again, or press the selected speed button which will also turn the blower off.
- When blower is off, it is possible to lock the control interface in order to clean the glass panel.  
To lock the control interface: Press and hold the button for 2 seconds. The button will light to its high intensity and flash three times, it will then stay on its mid intensity to indicate that the control interface is locked.  
To unlock the control interface: Press and hold the button for 2 seconds. The button will light to its high intensity and flash 3 times, it will then fade out to its low intensity to indicate that the control interface is unlocked.

#### **B. SPEED SELECTION BUTTONS:**

Press the button corresponding to the desired blower speed (from 1 for low speed to 4 for high speed). The chosen speed button will light to its high intensity then fade to its mid intensity. To turn off the blower, press once more on the corresponding blower speed button; the button light will fade to its low intensity.

NOTE: When blower is off, pressing on blower speed 1 button will cause the blower to start on second speed for a very short lapse of time, and then resume on speed 1.

#### **C. MASTER ON/OFF:**

When blower and lights are off, press this button to turn the hood on to the last memorized speed level. If there is no memorized speed level, speed will be set at level 1 and light intensity at 3. To turn off the blower and the light simultaneously, press this button once.

**HEAT SENTRY™:** The hood is equipped with a HEAT SENTRY thermostat. If blower is ON at a lower speed setting and excessive heat is detected above the cooking surface, it turns the blower up to third speed. When the temperature level drops to normal, the blower will return to its original setting.

NOTE: When Heat Sentry is activated, the "DELAY OFF" function is inactivated.

### ⚠ WARNING

**The Heat Sentry can change the blower speed when excessive heat is detected above the cooking surface. If this situation occurs and you must stop the blower, press on the third speed button or on the master ON/OFF button.**

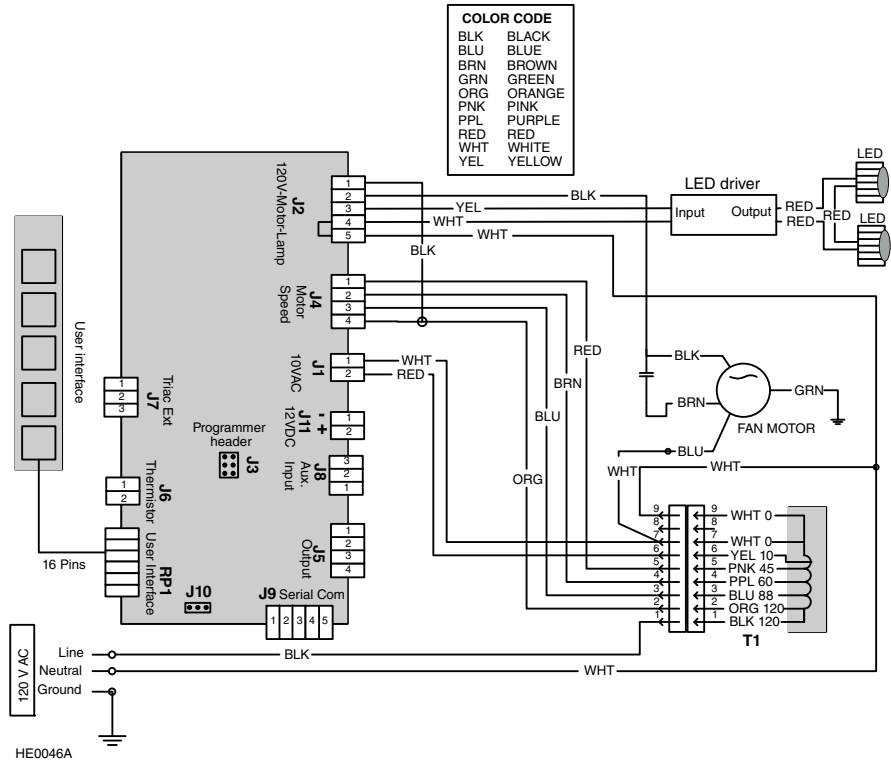
#### **D. LIGHT BUTTON/BACKLIGHTING COLOR (DOUBLE FUNCTION BUTTON):**

- This button allows three different lighting levels according to your needs. Press once for full intensity, twice for intensity level 2, and once more for nightlight. To turn off the lights, press once more.  
If desired, when the lights are on, press and maintain the light button for 1 second; lights will be turned off.  
NOTE: When only the lights are ON to any intensity and no interaction with the hood is detected for a 10-second period, the 7 buttons backlighting will fade to its low intensity, acting as a night light feature.
- When lights are off, pressing and holding this button for 1 second will switch the backlighting color from white to blue or from blue to white (default backlighting color is white) and memorize it. The button will flash three times to indicate that the color change has been made.  
NOTE: Due to the particular sensitivity of the control interface, keep the glass panel clean as dirt and condensation may cause erratic operation of the hood blower and/or lighting. If this situation occurs, wipe the glass panel and wait 90 seconds. Then, adjust the blower and/or lighting at your convenience.

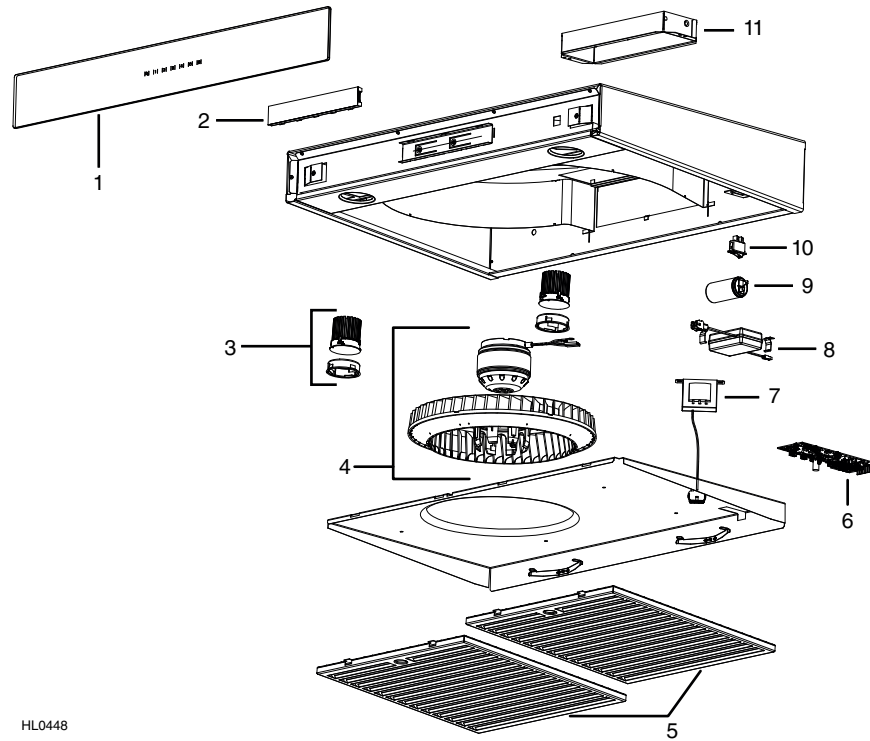
# 13. WIRING DIAGRAM

## ⚠ WARNING

Risk of electric shock. Electrical wiring must be done by qualified personnel in accordance with all applicable codes and standards. Before connecting wires, switch power off at service panel and lock service disconnecting means to prevent power from being switched on accidentally.



## 14. SERVICE PARTS



HL0448

KEY NO.	PART NO.	DESCRIPTION	WIDTHS	
			30"	36"
1	SV09953XX*	GLASS PANEL 30"	1	
	SV09954XX*	GLASS PANEL 36"		1
2	SV22427	ELECTRONIC CONTROL	1	1
3	62612	LED MODULE	2	2
4	SV01766E	WHEEL AND MOTOR	1	1
5	SV62053	HYBRID FILTER 15.875" x 14" x 0.5"	2	2
6	SV21189	POWER UNIT	1	1
7	SV07325	TRANSFORMER	1	1
8	62248	LED DRIVER AND CONNECTION HARNESS	1	1
9	SV02160	CAPACITOR	1	1
10	SV08548	ROCKER SWITCH	1	1
**	SV23894	CRT KIT 300 CFM (OPTIONAL)	1	1
**	SV05869	BEST LOGO	1	1
**	SV23864	INSTALLATION MANUAL	1	1
**	SV06751	HARDWARE BAG	1	1

\*PART NUMBER ACCORDING TO GLASS PANEL COLOR.

PLEASE CONTACT CUSTOMER SERVICE OR VISIT WEB SITE.

\*\*ITEM NOT SHOWN.

### REPLACEMENT PARTS AND REPAIRS

In order to ensure your unit remains in good working condition, you must use Broan-NuTone genuine replacement parts only. Broan-NuTone genuine replacement parts are specially designed for each unit and are manufactured to comply with all the applicable certification standards and maintain a high standard of safety. Any third party replacement part used may cause serious damage and drastically reduce the performance level of your unit, which will result in premature failing. Broan-NuTone recommends to contact a certified service depot for all replacement parts and repairs.

## 15. WARRANTY

### FIVE-YEAR LIMITED WARRANTY FOR BEST® PRODUCTS

**Warranty Period and Exclusions:** Broan-NuTone, LLC (the “Company”) warrants to the consumer purchaser of its product (“you”) that the product (the “Product”) will be free from material defects in the materials or its workmanship for a period of five (5) years from the date of original purchase (or such longer period as may be required by applicable law) or a period of two (2) years from the date of service for any labor provided on the Product.

The limited warranty period for any replacement parts provided by the Company and for any Products repaired or replaced under this limited warranty shall be the remainder of the original warranty period (or such longer period as may be required by applicable law).

**THIS WARRANTY DOES NOT EXTEND TO FLUORESCENT LAMP STARTERS, TUBES AND BULBS, FUSES, FILTERS, DUCTS, ROOF CAPS, WALL CAPS AND OTHER ACCESSORIES FOR DUCTING.** This warranty does not cover (a) normal maintenance and service, (b) normal wear and tear, (c) any Products or parts which have been subject to misuse, abuse, abnormal usage, negligence, accident, improper or insufficient maintenance, storage or repair (other than repair by the Company), (d) damage caused by faulty installation, or installation or use contrary to recommendations or instructions, (f) damage caused by exposure to salt air, (g) damage in transit, (h) natural wear of finish, (i) Products in commercial or nonresidential use, (j) damage caused by fire, flood or other act of God, or (k) Products with altered, defaced or removed serial numbers. This warranty covers only Products sold to consumers in North America. This warranty supersedes all prior warranties and, subject to applicable law, is not transferable from the original consumer purchaser.

**No Other Warranties:** This Limited Warranty contains the Company’s sole obligation and your sole remedy for defective Products. The foregoing warranties are exclusive and in lieu of any other warranties and conditions, express or implied. **TO THE MAXIMUM EXTENT PERMITTED BY APPLICABLE LAW, THE COMPANY DISCLAIMS AND EXCLUDES ALL OTHER EXPRESS WARRANTIES AND CONDITIONS, AND DISCLAIMS AND EXCLUDES ALL WARRANTIES AND CONDITIONS IMPLIED BY LAW, INCLUDING WITHOUT LIMITATION THOSE OF MERCHANTABILITY AND FITNESS FOR A PARTICULAR PURPOSE.**

To the extent that applicable law prohibits the exclusion of implied warranties or conditions, the duration of any applicable implied warranty or condition is limited to the period specified for the express warranty above. Some jurisdictions (which may include the Province of Quebec or specific US states) do not allow limitations on how long an implied warranty lasts, so the above limitation may not apply to you. Any oral or written description of the Product is for the sole purpose of identifying it and shall not be construed as an express warranty.

Whenever possible, each provision of this Limited Warranty shall be interpreted in such manner as to be effective and valid under applicable law, but if any provision is held to be prohibited or invalid, such provision shall be ineffective only to the extent of such prohibition or invalidity, without invalidating the remainder of such provision or the other remaining provisions of the Limited Warranty.

**Remedy:** During the applicable limited warranty period, the Company will, at its option, provide replacement parts for, or repair or replace, without charge, any Product or part thereof, to the extent the Company finds it to be covered by and in breach of this limited warranty under normal use and service. The Company will ship the repaired or replaced Product or replacement parts to you at no charge. You are responsible for all costs for removal, reinstallation and shipping, insurance or other freight charges incurred in the shipment of the Product or part to the Company. If you must send the Product or part to the Company, as instructed by the Company, you must properly pack the Product or part—the Company is not responsible for damage in transit. The Company reserves the right to utilize reconditioned, refurbished, repaired or remanufactured Products or parts in the warranty repair or replacement process. Such Products and parts will be comparable in function and performance to an original Product or part and warranted for the remainder of the original warranty period (or such longer period as may be required by applicable law).

Company reserves the right, in its sole discretion, to refund the money actually paid by you for the Product. If the Product or component is no longer available, replacement may be made with a similar product of equal or greater value, at Company’s sole discretion. This is your sole and exclusive remedy for breach of this limited warranty.

**Exclusion of Damages: THE COMPANY’S OBLIGATION TO PROVIDE REPLACEMENT PARTS, OR REPAIR OR REPLACE, AT THE COMPANY’S OPTION, SHALL BE YOUR SOLE AND EXCLUSIVE REMEDY UNDER THIS LIMITED WARRANTY AND THE COMPANY’S SOLE AND EXCLUSIVE OBLIGATION. THE COMPANY SHALL NOT BE LIABLE FOR INCIDENTAL, INDIRECT, CONSEQUENTIAL OR SPECIAL DAMAGES ARISING OUT OF OR IN CONNECTION WITH THE PRODUCT, ITS USE OR PERFORMANCE.**

Some jurisdictions do not allow the exclusion or limitation of incidental or consequential damages, so the above limitation or exclusion may not apply to you. This warranty gives you specific legal rights, and you may also have other rights, which vary from jurisdiction to jurisdiction. The disclaimers, exclusions, and limitations of liability under this warranty will not apply to the extent prohibited by applicable law.

This warranty covers only replacement or repair of defective Products or parts thereof at the Company’s main facility and does not include the cost of field service travel and living expenses.

Any assistance the Company provides to or procures for you outside the terms, limitations or exclusions of this limited warranty will not constitute a waiver of such terms, limitations or exclusions, nor will such assistance extend or revive the warranty. The Company will not reimburse you for any expenses incurred by you in repairing or replacing any defective Product, except for those incurred with the Company’s prior written permission.

**How to Obtain Warranty Service:** To qualify for warranty service, you must (a) notify the Company at the address or telephone number stated below within seven (7) days of discovering the covered defect, (b) give the model number and part identification and (c) describe the nature of any defect in the Product or part. At the time of requesting warranty service, you must present evidence of the original purchase date. If you cannot provide a copy of the original written limited warranty, then the terms of the Company’s most current written limited warranty for your particular product will control.

### PRODUCT SPECIFICATIONS

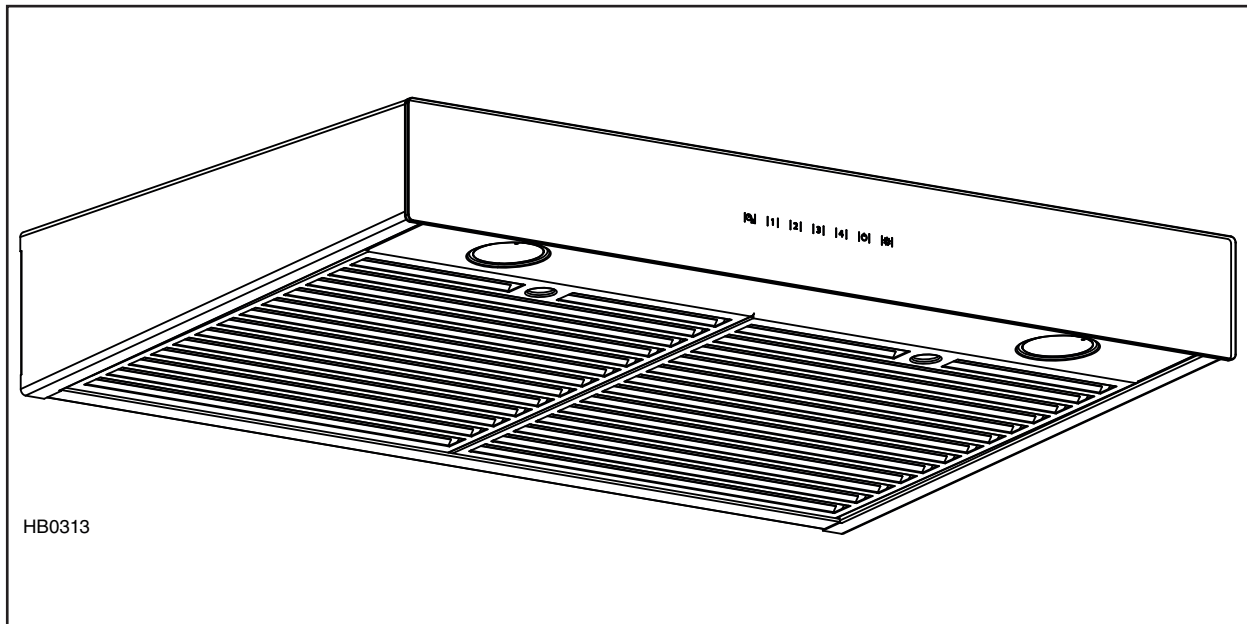
All illustrations and specifications in this catalog are based on the latest product information available at time of production. Broan-NuTone, LLC and BEST® reserves the right to make changes at any time, without notice, in prices, colors, materials, equipment, specifications and models, place of manufacture and to discontinue models or equipment.

Best

Broan-NuTone, LLC- 926 W. State Street, Hartford, WI 53207 1-800-637-1453

Best®, 550 Lemire Blvd., Drummondville, QC, Canada (1-866-737-7770) www.bestranghoods.com

# best®



## SÉRIE UCB3I

⚠ CONÇUE UNIQUEMENT POUR LA CUISSON DOMESTIQUE ⚠

**LIRE ET CONSERVER CES DIRECTIVES**

INSTALLATEUR: LAISSER CE GUIDE AU PROPRIÉTAIRE.  
PROPRIÉTAIRE: DIRECTIVES D'UTILISATION ET D'ENTRETIEN  
EN PAGES 8 ET 9.

BEST; Hartford, Wisconsin [www.BestRangeHoods.com](http://www.BestRangeHoods.com) 800 558-1711  
BEST; Drummondville, QC, Canada [www.BestRangeHoods.ca](http://www.BestRangeHoods.ca) 866 737-7770



## ⚠ AVERTISSEMENT

**AFIN DE RÉDUIRE LES RISQUES D'INCENDIE, D'ÉLECTROCUTION OU DE BLESSURES CORPORELLES, SUIVEZ LES DIRECTIVES SUIVANTES :**

1. N'utilisez cet appareil que de la façon prévue par le fabricant. Si vous avez des questions, contactez le fabricant à l'adresse et au numéro de téléphone indiqués dans la garantie.
2. Avant de réparer ou de nettoyer l'appareil, couper l'alimentation électrique en verrouillant le panneau de distribution afin d'éviter sa remise en marche accidentelle. Si le panneau de distribution ne peut être verrouillé, y fixer un avertissement en évidence, telle qu'une étiquette de couleur vive.
3. Les travaux d'installation et de raccordement électrique doivent être effectués par une personne qualifiée, conformément aux codes et standards de construction, incluant ceux concernant la protection contre les incendies.
4. Une quantité d'air adéquate est requise afin d'assurer une bonne combustion et l'évacuation des gaz par la cheminée dans le cas des appareils alimentés au gaz, afin de prévenir les retours de cheminée. Conformez-vous aux instructions et aux standards de sécurité des fabricants d'équipement de chauffage, tel que publiés par la National Fire Protection Association (NFPA), et l'American Society for Heating, Refrigeration and Air Conditioning Engineers (ASHRAE), ainsi que les responsables des codes locaux.
5. Veillez à ne pas endommager le câblage électrique ou d'autres équipements non apparents lors de la découpe ou du perçage du mur ou du plafond.
6. L'évacuation des ventilateurs avec conduits doit toujours se faire à l'extérieur.
7. Afin de réduire le risque d'incendie ou d'électrocution, ne pas utiliser cet appareil avec une commande de vitesse à semi-conducteur additionnelle.
8. Afin de réduire le risque d'incendie, n'utilisez que des conduits en métal.
9. Cet appareil doit être relié à une mise à la terre.
10. Tout verre trempé peut se briser spontanément. En cas de bris, il tombera hors de son emplacement en s'égrenant. Le verre trempé peut, à l'occasion, se briser en gros morceaux plutôt qu'en petites particules.
11. Lorsqu'une réglementation est en vigueur localement et qu'elle comporte des exigences d'installation et/ou de certification plus restrictives, lesdites exigences prévalent sur celles de ce document et l'installateur entend s'y conformer à ses frais.

**AFIN DE RÉDUIRE LES RISQUES DE FEU DE CUISINIÈRE :**

- a) Ne jamais laisser les appareils de cuisson sans surveillance lorsqu'ils sont réglés à feu vif. Les débordements engendrent de la fumée et des déversements graisseux pouvant s'enflammer. Chauffez l'huile lentement, à feu doux ou moyen.
- b) Toujours mettre la hotte en marche lorsque vous cuisinez à feu vif ou que vous cuisinez des mets flambés (par exemple : crêpes Suzette, cerises jubilee, steaks au poivre flambés).
- c) Nettoyez régulièrement la (les) roue(s) du ventilateur. Ne laissez pas la graisse s'accumuler sur le ventilateur, les filtres ou les conduits d'évacuation.
- d) Utilisez le bon format de casserole. Servez-vous toujours de casseroles et d'ustensiles appropriés à la dimension de la surface chauffante.

## ⚠ AVERTISSEMENT

**AFIN D'ÉVITER TOUT RISQUE DE BLESSURES LORS D'UN FEU DE CUISINIÈRE, SUIVEZ CES DIRECTIVES\* :**

1. Éteignez les flammes avec un couvercle hermétique, une tôle à biscuits ou un plateau métallique et ensuite, éteindre le brûleur. **PRENEZ SOIN D'ÉVITER LES BRÛLURES. SI LES FLAMMES NE S'ÉTEIGNENT PAS IMMÉDIATEMENT, ÉVACUEZ LES LIEUX ET APPELEZ LES POMPIERS.**
2. **NE PRENEZ JAMAIS UNE CASSEROLE EN FLAMMES DANS VOS MAINS** – Vous pourriez subir des brûlures.
3. **N'UTILISEZ PAS D'EAU**, incluant linge à vaisselle ou serviette mouillés – ceci pourrait occasionner une violente explosion.
4. N'utilisez un extincteur **QUE DANS LE CAS OÙ :**
  - A. Vous savez qu'il s'agit d'un extincteur de classe ABC et que vous en connaissez le fonctionnement.
  - B. Le feu est petit et limité à l'endroit où il a débuté.
  - C. Les pompiers ont été avisés.
  - D. Vous pouvez combattre l'incendie en ayant accès à une sortie de secours.

\*Tirées du *Kitchen Fire Safety Tips* publié par la NFPA.

## ATTENTION

1. Pour une utilisation à l'intérieur seulement.
2. Pour usage domestique seulement. Ne pas utiliser pour évacuer des vapeurs ou des matières dangereuses ou explosives.
3. Afin d'éviter tout dommage au moteur et de débalancer ou de rendre bruyante la roue du moteur, garder votre appareil à l'abri des poussières de placoplâtre et de construction/rénovation, etc.
4. Le moteur de votre hotte possède une protection thermique qui arrêtera automatiquement le fonctionnement du moteur s'il surchauffe. Le moteur redémarrera automatiquement une fois refroidi. Si le moteur continue de s'arrêter et de redémarrer, faites-le vérifier.
5. La distance minimale entre le bas de votre hotte et la surface de cuisson ne doit pas être inférieure à 24 po. Un maximum de 30 po au-dessus du plan de cuisson est fortement recommandé pour une meilleure évacuation des odeurs de cuisine. **Pour une cuisinière au gaz**, le bas de votre hotte encastrable **NE DOIT PAS ÊTRE INFÉRIEUR** à 30 po au-dessus de la surface de cuisson.
6. Deux installateurs sont recommandés lors de l'installation en raison de la grande dimension et le poids de cet appareil.
7. Afin de réduire les risques d'incendie, assurez-vous d'évacuer l'air à l'extérieur. Ne pas évacuer l'air dans des espaces restreints comme l'intérieur des murs ou plafond ou dans le grenier, faux plafond ou garage.
8. En raison de la grande capacité d'évacuation de cet appareil, il est recommandé d'ouvrir une fenêtre dans ou près de la cuisine afin de remplacer l'air évacué.
9. Cette hotte ne doit être utilisée qu'avec un ensemble de cordon d'alimentation approuvé.
10. Veuillez consulter l'autocollant apposé à l'intérieur du produit pour plus d'information ou autres exigences.

## TABLE DES MATIÈRES

1.	INSTALLATION DES CONDUITS.....	3
2.	PRÉPARATION DE L'INSTALLATION .....	4
3.	PRÉPARATION DE LA HOTTE .....	4-5
4.	INSTALLATION DE LA FAÇADE DE VERRE (MODÈLES SANS FAÇADE DE VERRE SEULEMENT).....	5
5.	INSTALLATION DE L'ADAPTATEUR/VOLET .....	6
6.	INSTALLATION DE LA HOTTE .....	7
7.	BRANCHEMENT ÉLECTRIQUE .....	7
8.	REMISE EN PLACE DE LA ROUE ET DU PANNEAU INFÉRIEUR.....	7
9.	REMISE EN PLACE DES FILTRES HYBRIDES .....	8
10.	ÉCLAIRAGE À DEL.....	8
11.	ENTRETIEN.....	8
12.	FONCTIONNEMENT .....	9
13.	SCHEMA ÉLECTRIQUE .....	10
14.	PIÈCES DE REMPLACEMENT .....	11
15.	GARANTIE.....	12

### 1. INSTALLATION DES CONDUITS

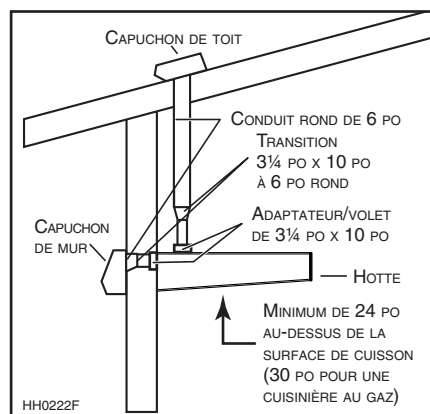
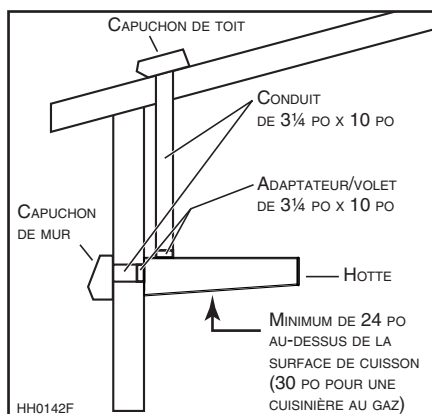
Planifier à quel endroit et de quelle façon les conduits seront installés.

Le conduit reliant cette hotte à l'extérieur du bâtiment a un effet direct sur le débit de l'air, le bruit généré et la consommation d'énergie de son ventilateur. Pour obtenir le meilleur rendement, utiliser un conduit le plus droit et le plus court possible, en évitant de raccorder le ventilateur de la hotte à un conduit de format plus petit que recommandé. De l'isolant autour du conduit peut réduire la perte d'énergie et empêcher la croissance de moisissures. Les hottes installées avec un conduit préexistant pourraient ne pas atteindre leur débit nominal. En utiliser le moins possible. Veuillez vous référer au tableau en bas de page pour vous aider à planifier l'installation la plus efficace.

Installer un capuchon de toit ou de mur, puis s'assurer qu'il n'y a aucune fuite dans l'isolation de la maison. Relier le conduit de métal de format adéquat (3¼ po x 10 po ou 6 po rond) au capuchon, puis acheminer le conduit jusqu'à la hotte. Si un conduit rond de 6 po est utilisé, utiliser aussi une transition de 3¼ po x 10 po à 6 po. Il est recommandé d'installer cette transition à 18 po de l'adaptateur/volet. Sceller les joints avec du ruban adhésif de métal de 2 po de largeur.

**Il est recommandé d'installer la hotte à une distance minimale de 24 po au-dessus d'une cuisinière électrique et de 30 po au-dessus d'une cuisinière au gaz.**

Une distance de plus de 30 po demeure à la discrétion de l'installateur et de l'utilisateur.



**LONGUEURS MAXIMALES DE CONDUIT RECOMMANDÉES POUR OBTENIR UNE EFFICACITÉ D'ÉVACUATION DE 80 %.**

LONGUEUR MAXIMALE DE CONDUIT DE 3¼ po x 10 po	LONGUEUR MAXIMALE DE CONDUIT DE 6 PO ROND	CAPUCHON DE MUR OU DE TOIT AVEC CLAPET	COUDE(S)* DE 90° ET/OU DE 45°
60 PI	-	1	0
50 PI	-	1	1
40 PI	-	1	2
-	50 PI	1	0
-	40 PI	1	1
-	30 PI	1	2

\*COUDES STANDARD DE RAYON INTERNE DE 1 PO.



## 2. PRÉPARATION DE L'INSTALLATION

### ⚠ AVERTISSEMENT

Il est recommandé de porter des lunettes et des gants de sécurité lors de l'installation, de l'entretien et de la réparation de cet appareil.

NOTE : Avant de commencer l'installation, vérifier le contenu de la boîte. Si des pièces sont manquantes ou endommagées, contacter le fabricant.

S'assurer que les éléments suivants sont inclus :

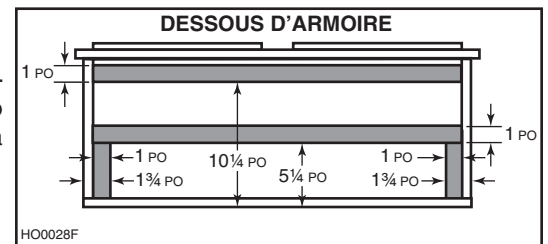
- Hotte
- Accessoires :
  - 2 filtres hybrides
  - Adaptateur/volet de 3 1/4 po x 10 po (situé dans un embout en styromousse)
  - Sac de pièces (situé dans un embout en styromousse) incluant :
    - 1 serre-fil, 9 vis n° 8 x 1/2 po, 2 capuchons de connexion et 3 vis standard n° 6 x 1/2 po

Pièces vendues séparément :

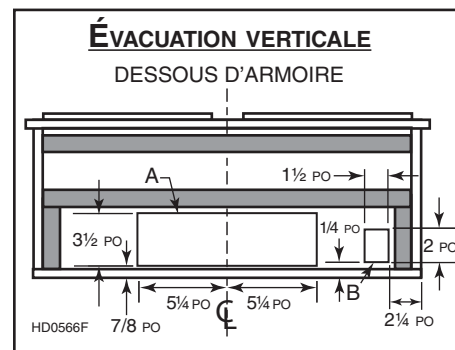
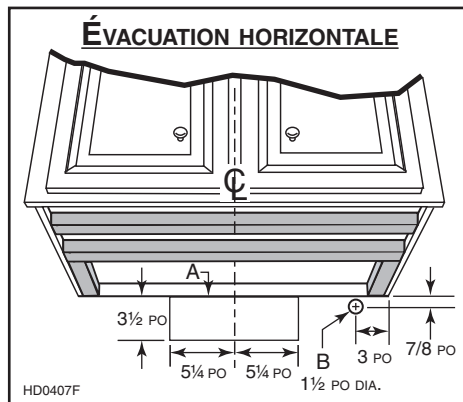
- Conduits, coudes, capuchons de mur ou de toit
- Transition 3 1/4 po x 10 po à 6 po rond (optionnelle, pour une installation avec conduit rond de 6 po seulement)
- Façades de verre pour les modèles UCB3I30SBN et UCB3I36SBN (voir la liste des pièces de remplacement en page 11)

NOTES : 1. Protéger la surface de cuisson et le comptoir de cuisine pendant l'installation.

2. Si le fond de l'armoire est en retrait, y fixer 4 languettes de bois de 1 po de largeur (non incluses), pour combler l'espace afin de bien retenir la hotte à l'armoire. Voir ci-contre pour le positionnement des languettes.

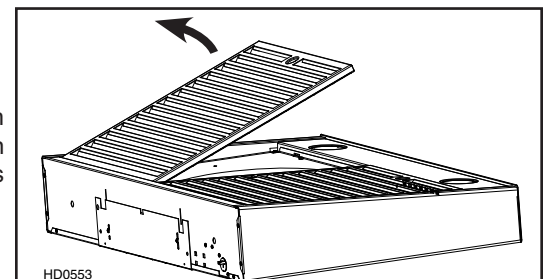


Découper, dans l'armoire ou le mur, les ouvertures pour le conduit (A) et le fil d'alimentation électrique (B), selon l'évacuation choisie (horizontale ou verticale). Voir les illustrations ci-dessous.



## 3. PRÉPARATION DE LA HOTTE

**3.1** Poser la hotte à plat sur une table, filtres vers le haut. Placer au préalable un morceau de carton pour éviter d'endommager la table et la hotte. Retirer le ruban adhésif des filtres. Soulever les filtres en les poussant vers l'arrière et en les dégageant de la hotte, puis les mettre de côté.





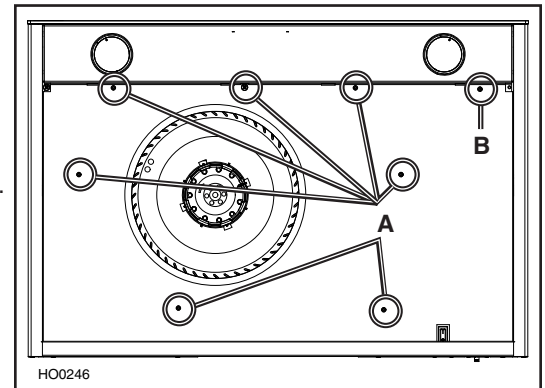
### 3. PRÉPARATION DE LA HOTTE (SUITE)

#### 3.2 POUR LES HOTTES DE 30 PO :

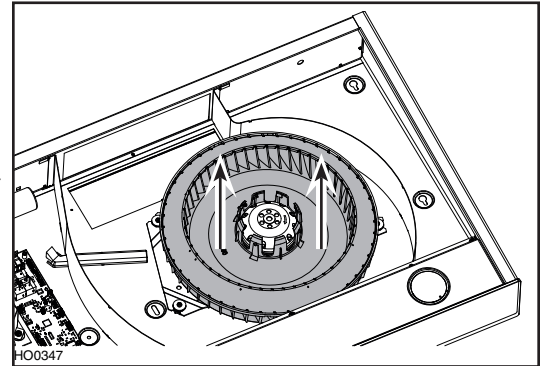
Retirer les 7 vis de retenue du panneau inférieur (A seulement) et les mettre de côté.

#### POUR LES HOTTES DE 36 PO :

Retirer les 8 vis de retenue du panneau inférieur (A et B) et les mettre de côté.



3.3 À deux mains, tirer doucement sur la roue du ventilateur afin de la retirer. Mettre la roue de côté.



### 4. INSTALLATION DE LA FAÇADE DE VERRE (MODÈLES SANS FAÇADE DE VERRE SEULEMENT)

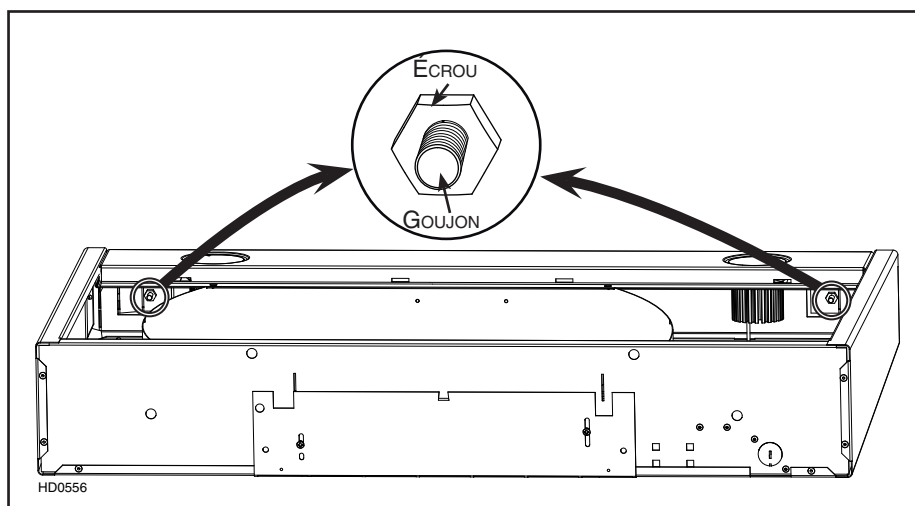
La façade de verre décorative des modèles de hotte SBN est vendue séparément et doit être installée avant de poursuivre l'installation.

4.1 Retirer délicatement la façade de verre de son emballage.

Retirer les deux écrous des goujons de la façade de verre (installés en usine) et les mettre de côté.

4.2 Insérer les goujons de la façade de verre dans les trous du devant de la hotte.

4.3 Tout en maintenant la façade de verre, pré-serrer à la main les écrous précédemment retirés. S'assurer que la façade de verre est à égalité avec le dessus de la hotte et centrée d'un côté à l'autre. À l'aide d'une douille 3/8 po, serrer complètement les écrous.

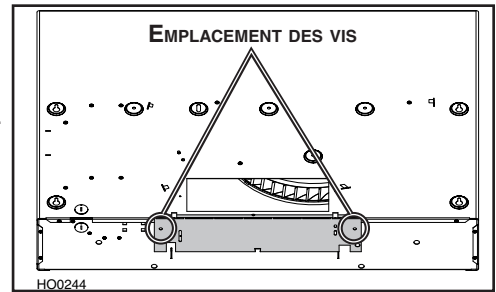


## 5. INSTALLATION DE L'ADAPTATEUR/VOLET (TOUS LES MODÈLES)

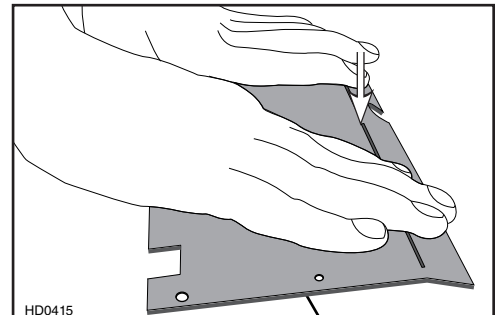
Le conduit doit être bien préparé pour recevoir l'adaptateur. Avant d'installer la hotte, s'assurer que l'adaptateur entre aisément à l'intérieur du conduit. Si cette hotte en remplace une autre, veuillez noter que la localisation de la sortie de l'air peut varier d'un manufacturier à l'autre.

### ÉVACUATION HORIZONTALE SEULEMENT :

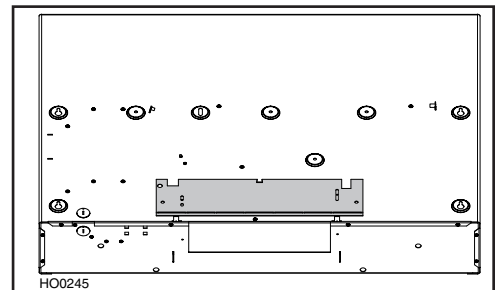
Retourner la hotte et dévisser les 2 vis retenant la plaque métallique à l'arrière de la hotte. Mettre les vis de côté.



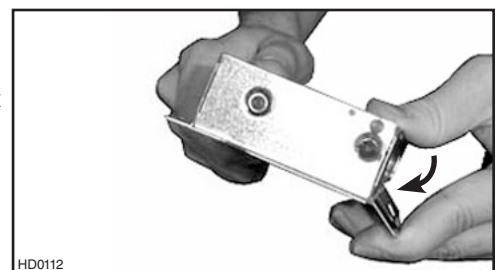
Redresser le côté plié de la plaque métallique en appuyant celle-ci sur une surface plane.



À l'aide des 2 vis retirées précédemment, fixer la plaque métallique sur le dessus de la hotte.

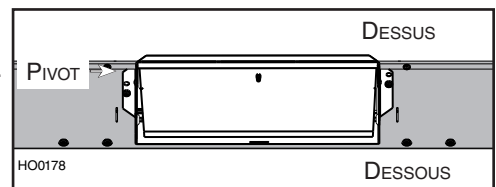


Plier le rebord pliable de l'adaptateur/volet de façon à ce qu'il se situe à 90° par rapport aux autres rebords. Voir la photo ci-contre.



À l'aide des deux vis n° 6 x 1/2 po (fournies), fixer l'adaptateur/volet à l'arrière de la hotte. Retirer le ruban adhésif sur le volet de l'adaptateur.

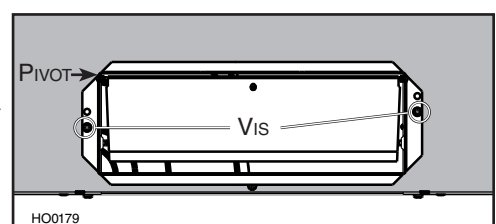
Sceller l'adaptateur/volet à la hotte à l'aide de ruban adhésif de métal.



### ÉVACUATION VERTICALE SEULEMENT :

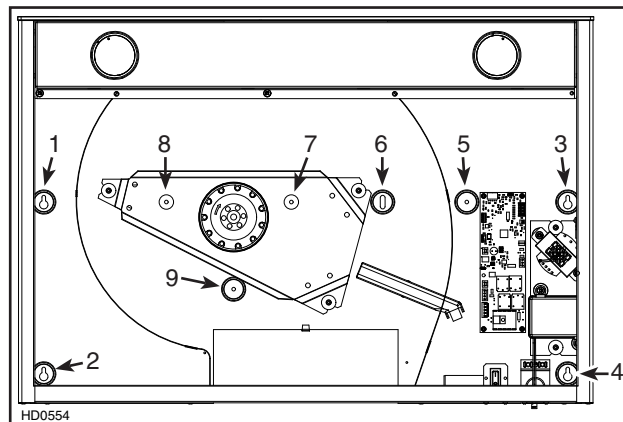
À l'aide des deux vis n° 6 x 1/2 po (fournies), fixer l'adaptateur/volet sur le dessus de la hotte. Retirer le ruban adhésif sur le volet de l'adaptateur.

Sceller l'adaptateur/volet à la hotte à l'aide de ruban adhésif de métal.



## 6. INSTALLATION DE LA HOTTE

**6.1** Passer le fil d'alimentation électrique jusqu'à l'endroit de l'installation. Placer la hotte à son emplacement. À l'aide d'un crayon, marquer la position des vis (tel qu'il est illustré ci-contre). Retirer la hotte.



**6.2** Visser quatre vis n° 8 x 1/2 po en laissant un espace de 1/8 po (ne pas installer tout de suite les vis n°s 5, 6, 7, 8 et 9).

**6.3** Installer le serre-fil et passer le cordon d'alimentation électrique dans la hotte. Placer la hotte sous l'armoire, la glisser en position et serrer le serre-fil pour maintenir le cordon en place. S'assurer que l'adaptateur entre dans le conduit. Visser complètement les 4 premières vis, puis ajouter les dernières vis (n°s 5, 6, 7, 8 et 9). S'assurer que le volet de l'adaptateur s'ouvre librement.

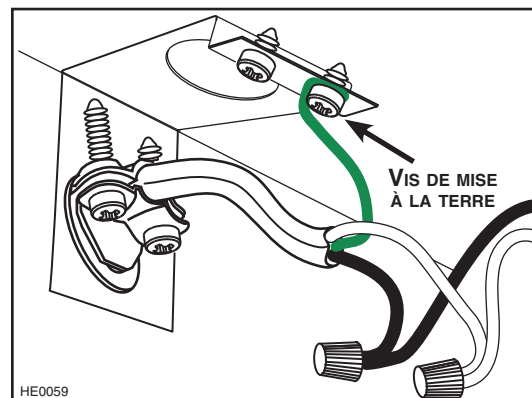
## 7. BRANCHEMENT ÉLECTRIQUE

### ⚠ AVERTISSEMENT

**Risque d'électrocution. Le raccordement électrique doit être effectué par du personnel qualifié conformément aux codes et aux standards. Avant d'effectuer le branchement, coupez l'alimentation électrique au tableau de distribution principal et verrouillez ce dernier pour éviter une mise en marche accidentelle.**

Connecter les fils à la hotte en utilisant les capuchons de connexion fournis.

Connecter le NOIR au NOIR, le BLANC au BLANC et le VERT ou FIL DÉNUDÉ à la vis VERTE de mise à la terre. **NE PAS OUBLIER DE CONNECTER LA MISE À LA TERRE.**



## 8. REMISE EN PLACE DE LA ROUE ET DU PANNEAU INFÉRIEUR

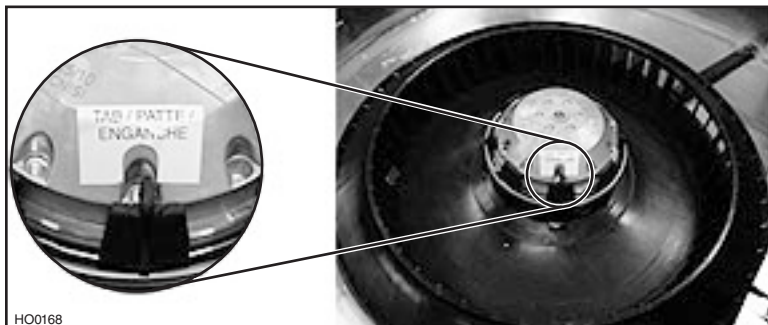
### ATTENTION

**Lors de la réinstallation de la roue du ventilateur, s'assurer que son ergot est aligné avec l'étiquette jaune du moteur.**

**8.1** Remettre en place la roue du ventilateur : à deux mains, pousser doucement la roue jusqu'à ce qu'elle soit bien en place.

**8.2** Insérer le panneau inférieur au dos de la hotte.

**8.3** Fixer le panneau inférieur à la hotte à l'aide des 7 ou des 8 vis précédemment retirées à l'étape 3.2.

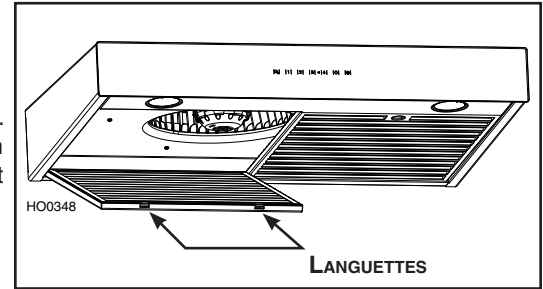


## 9. REMISE EN PLACE DES FILTRES HYBRIDES

### ATTENTION

Retirer le film de plastique protecteur des filtres avant de les réinstaller.

Appuyer le rebord arrière des filtres sur les ressorts de filtre à l'intérieur de la hotte. Incliner chaque filtre vers le haut jusqu'à ce que les languettes soient bien engagées dans les fentes du rebord avant de la hotte. S'assurer que les filtres sont bien en place après l'installation.



## 10. ÉCLAIRAGE À DEL

L'éclairage de cette hotte est produit par 2 modules DEL (inclus).

### ⚠ AVERTISSEMENT

Ne pas toucher aux modules DEL durant ou peu après leur utilisation. Peuvent causer des brûlures. Ne peuvent être remplacées par aucun autre type d'ampoule ou de module à DEL.

## 11. ENTRETIEN

### ⚠ AVERTISSEMENT

Avant de nettoyer ou de réparer l'appareil, coupez le courant au panneau de distribution et verrouillez-en l'accès afin d'éviter sa remise en marche accidentelle. Si le panneau de distribution ne peut être verrouillé, y apposer un avertissement bien en évidence, comme une étiquette de couleur vive.

### FILTRES HYBRIDES ET PANNEAU INFÉRIEUR

Les filtres et le panneau inférieur doivent être nettoyés régulièrement. Utiliser de l'eau chaude additionnée de détergent. Pousser les filtres vers l'arrière de la hotte, puis les abaisser afin de les retirer.

Nettoyer les filtres métalliques au lave-vaisselle avec un détergent sans phosphate. L'utilisation d'un détergent avec phosphates, de même que la teneur en minéraux de l'eau, peut occasionner une décoloration des filtres, ce qui n'affectera en rien leur capacité de filtration. Cette décoloration n'est pas couverte par la garantie. Afin de prévenir ou de limiter la décoloration, laver les filtres à la main avec un détergent doux.

### ACIER INOXYDABLE

#### À faire :

- Laver régulièrement les surfaces à l'aide d'un chiffon ou d'un linge propre imbibé d'eau tiède et de savon doux ou de détergent liquide à vaisselle.
- Toujours nettoyer dans le sens du polissage.
- Toujours bien rincer avec de l'eau claire (de 2 à 3 fois) et essuyer complètement.
- Un nettoyant domestique conçu spécialement pour l'acier inoxydable peut aussi être utilisé.

#### À ne pas faire :

- Ne pas utiliser de laine d'acier ou d'acier inoxydable ou tout autre grattoir pour enlever la saleté tenace.
- Ne pas utiliser une poudre nettoyante abrasive ou rugueuse.
- Ne pas laisser la saleté s'accumuler.
- Ne pas laisser la poussière de plâtre ou tout autre résidu de construction atteindre la hotte. Couvrir la hotte pour la durée des travaux afin de s'assurer qu'aucune poussière n'atteint la hotte.

### FAÇADE DE VERRE

De l'eau chaude et un savon doux ou un nettoyant à vitres suffisent.

Si vous utilisez un savon doux, rincer à l'eau claire. Essuyer à l'aide d'un linge propre et doux pour éviter les stries.

#### À éviter lors du choix d'un détergent :

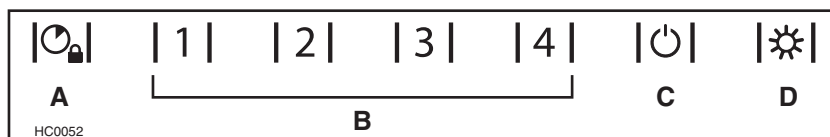
- Tous produits nettoyants contenant des **agents de blanchiment**; ils attaqueront l'acier inoxydable.
- Tous produits contenant du **chlorure**, du **fluorure**, de l'**iode** ou du **bromure**; ils détérioreront rapidement les surfaces.
- Tous produits combustibles utilisés pour le nettoyage : **acétone**, **alcool**, **éther**, **benzène**, etc.; ils sont grandement explosifs et ne devraient jamais être utilisés près d'une cuisinière.

## 12. FONCTIONNEMENT

Toujours mettre en marche la hotte avant de commencer la cuisson afin d'établir une circulation de l'air dans la cuisine. Aussi, laisser la hotte fonctionner quelques minutes après l'arrêt de la cuisinière afin d'aérer.

### ATTENTION

**Après une panne de courant ou lors de la mise sous tension de la hotte, une séquence de démarrage de 5 secondes est effectuée. Attendre que le rétroéclairage de la commande soit éteint avant de l'utiliser.**



#### A. BOUTON D'ARRÊT DIFFÉRÉ/VERROUILLAGE DE LA COMMANDE (BOUTON DOUBLE FONCTION) :

- Lorsque le ventilateur est en marche, appuyer sur ce bouton pour activer la fonction d'arrêt différé. Le bouton s'allumera à haute intensité, puis l'intensité diminuera jusqu'à devenir moyenne pour indiquer que la fonction est activée; le bouton correspondant à la vitesse en vigueur passera de la haute intensité à l'intensité moyenne en alternance aux 2 secondes. Le ventilateur continuera de fonctionner pendant 5 minutes puis s'arrêtera automatiquement. La sélection d'une autre vitesse tandis que la fonction d'arrêt différé est activée ne désactivera pas cette dernière ni ne réinitialisera la minuterie. Pour annuler la fonction d'arrêt différé, appuyer une fois de plus sur ce bouton ou sur le bouton de la vitesse en vigueur. Cette dernière option aura également pour effet d'arrêter le ventilateur.
- Lorsque le ventilateur est arrêté, il est possible de verrouiller la commande afin de nettoyer la façade de verre.  
Pour verrouiller la commande : appuyer sur ce bouton et maintenir la pression pendant 2 secondes. Le bouton s'allumera à haute intensité puis clignotera 3 fois, l'intensité diminuera ensuite jusqu'à devenir moyenne et le restera afin d'indiquer que la commande est verrouillée.  
Pour déverrouiller la commande : appuyer sur ce bouton et maintenir la pression pendant 2 secondes. Le bouton s'allumera à haute intensité puis clignotera 3 fois, l'intensité diminuera ensuite jusqu'à devenir faible afin d'indiquer que la commande est déverrouillée.

#### B. BOUTONS DE SÉLECTION DE LA VITESSE :

Appuyer sur le bouton correspondant à la vitesse désirée (de 1 pour la basse vitesse à 4 pour la haute vitesse). Le bouton de la vitesse choisie s'allumera à haute intensité, puis l'intensité diminuera jusqu'à devenir moyenne. Pour arrêter le ventilateur, appuyer une fois de plus sur le bouton correspondant à la vitesse en vigueur; l'éclairage du bouton diminuera jusqu'à devenir faible.

NOTE : Appuyer sur le bouton 1 lorsque le ventilateur est arrêté entraîne un départ en vitesse 2 pour un très court laps de temps, puis le régime passe en vitesse 1.

#### C. BOUTON D'ARRÊT PRINCIPAL :

Lorsque le ventilateur et l'éclairage ne sont pas en fonction, appuyer sur ce bouton afin d'activer la hotte à la dernière vitesse mémorisée. Si aucune vitesse n'a été mémorisée, la vitesse sera réglée à 1 et l'intensité d'éclairage à 3. Appuyer une autre fois sur ce bouton pour arrêter le ventilateur et éteindre l'éclairage simultanément.

**HEAT SENTRY<sup>MC</sup>** : La hotte est munie d'un thermostat HEAT SENTRY. Si le ventilateur fonctionne en basse vitesse et qu'une chaleur excessive est détectée au-dessus de la surface de cuisson, il règle le ventilateur en troisième vitesse. Lorsque la température revient à la normale, le ventilateur retourne à sa vitesse d'origine.

NOTE : Lorsque le Heat Sentry est activé, la fonction « ARRÊT DIFFÉRÉ » est inactivée.

### ⚠ AVERTISSEMENT

**Lorsqu'une chaleur excessive est détectée au-dessus de la surface de cuisson, le HEAT SENTRY peut changer la vitesse du ventilateur. Si cette situation se produit et que vous devez arrêter le ventilateur, appuyez sur le bouton de la troisième vitesse ou sur le bouton d'arrêt principal.**

#### D. BOUTON D'ÉCLAIRAGE/COULEUR DU RÉTROÉCLAIRAGE (BOUTON DOUBLE FONCTION) :

- Ce bouton offre trois niveaux d'éclairage différents. Appuyer une fois pour un éclairage pleine intensité, deux fois pour le niveau 2 et une fois de plus pour la veilleuse. Appuyer une autre fois pour éteindre les lumières.  
Si désiré, lorsque les lumières sont allumées, appuyer et maintenir la pression pendant 1 seconde; les lumières s'éteindront.

NOTE : Lorsque seules les lumières sont allumées (peu importe l'intensité) et qu'aucune interaction avec la hotte n'est détectée pendant une période de 10 secondes, le rétroéclairage des 7 boutons diminuera jusqu'à faible intensité, procurant ainsi un éclairage de type veilleuse.

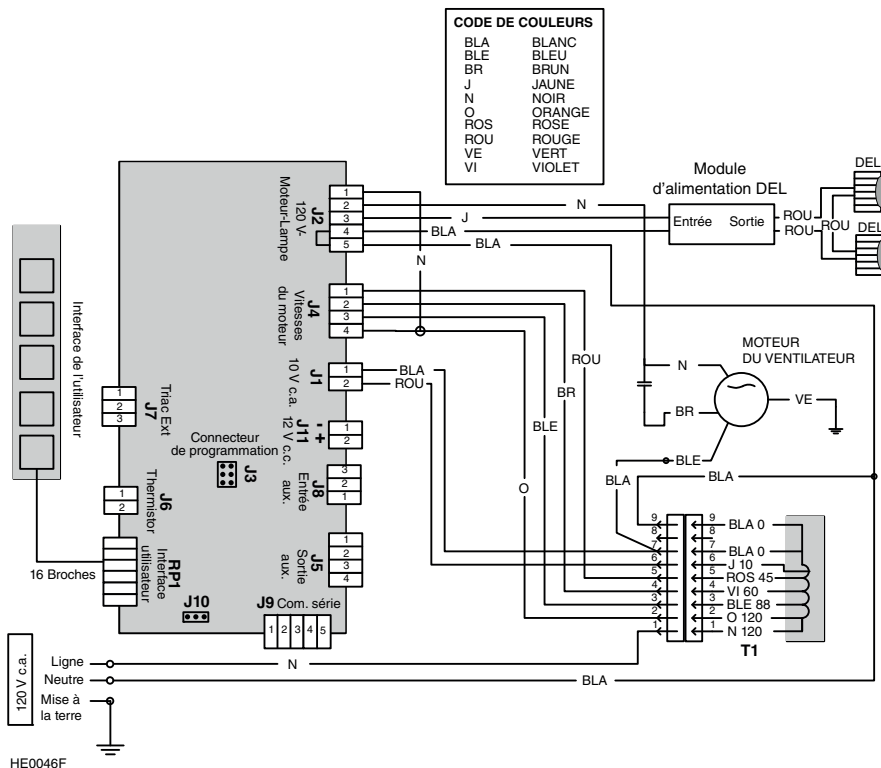
- Lorsque les lumières sont éteintes, appuyer et maintenir la pression pendant 2 secondes afin de faire passer la couleur du rétroéclairage de blanc à bleu ou de bleu à blanc (la couleur par défaut est le blanc) et de la mémoriser. Le bouton clignotera trois fois afin d'indiquer que le changement de couleur a été effectué.

NOTE : En raison de la sensibilité particulière de l'interface de la commande, garder la façade de verre propre car la saleté ou la condensation peuvent provoquer un fonctionnement erratique du ventilateur et/ou de l'éclairage de la hotte. Si cette situation se produit, essuyer la façade de verre et attendre 90 secondes. Régler ensuite le ventilateur ou l'éclairage comme souhaité.

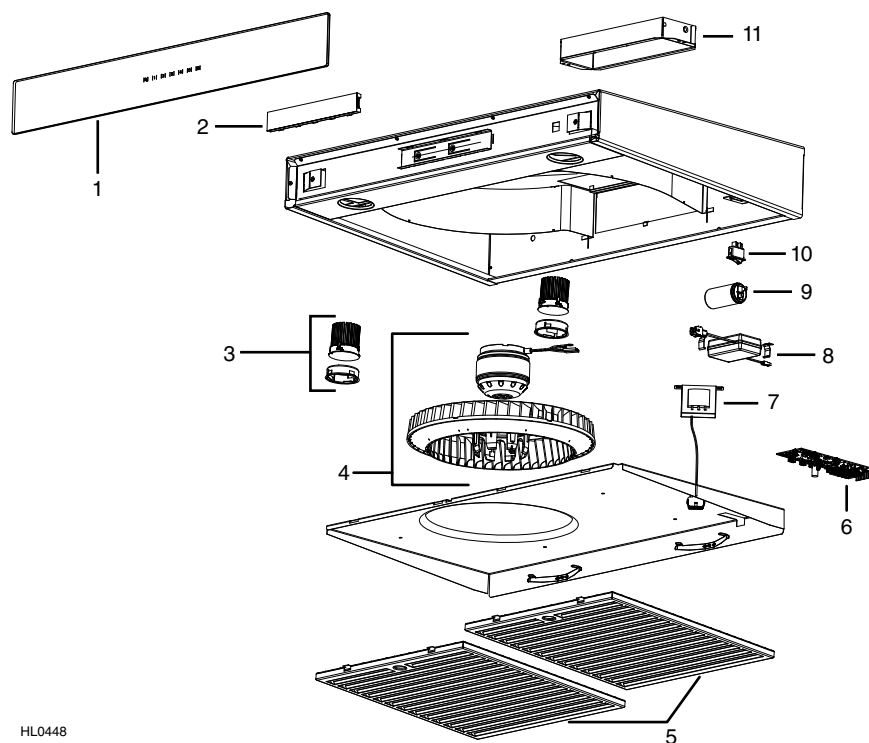
### 13. SCHÉMA ÉLECTRIQUE

#### ⚠ AVERTISSEMENT

Risque d'électrocution. Le raccordement électrique doit être effectué par du personnel qualifié conformément aux codes et aux standards. Avant d'effectuer le branchement, coupez l'alimentation électrique au panneau de distribution et verrouillez-le pour éviter une mise en marche accidentelle.



## 14. PIÈCES DE REMPLACEMENT



N°	N° PIÈCE	DESCRIPTION	LARGEURS	
			30 PO	36 PO
1	SV09953XX*	FAÇADE DE VERRE DE 30 PO	1	
	SV09954XX*	FAÇADE DE VERRE DE 36 PO		1
2	SV22427	COMMANDE ÉLECTRONIQUE	1	1
3	62612	MODULE DEL	2	2
4	SV01766E	ROUE ET MOTEUR	1	1
5	SV62053	FILTRE HYBRIDE 15,875 PO X 14 PO X 0,5 PO	2	2
6	SV21189	BLOC D'ALIMENTATION	1	1
7	SV07325	TRANSFORMATEUR	1	1
8	62248	MODULE D'ALIMENTATION DEL AVEC HARNAIS DE CONNEXION	1	1
9	SV02160	CONDENSATEUR	1	1
10	SV08548	INTERRUPTEUR À BASCULE	1	1
11	SV13296	ADAPTATEUR/VOLET	1	1
**	SV23894	ENSEMBLE CRT 300 PI <sup>3</sup> /MIN (OPTIONNEL)	1	1
**	SV05869	LOGO BEST	1	1
**	SV23864	GUIDE D'INSTALLATION	1	1
**	SV06751	SAC DE PIÈCES	1	1

\*N° DE PIÈCE SELON LA COULEUR DE LA FAÇADE DE VERRE.

VEUILLEZ COMMUNIQUER AVEC LE SERVICE À LA CLIENTÈLE OU CONSULTER NOTRE SITE WEB.

\*\*NON ILLUSTRÉ.

### PIÈCES DE REMPLACEMENT ET SERVICE

Pour assurer le bon fonctionnement de votre appareil, vous devez toujours utiliser des pièces d'origine provenant de Broan-NuTone. Les pièces d'origine de Broan-NuTone sont spécialement conçues pour satisfaire toutes les normes de certification de sécurité applicables. Leur remplacement par des pièces ne provenant pas de Broan-NuTone pourrait ne pas assurer la sécurité de l'appareil, entraîner une réduction sévère des performances ainsi qu'un risque de défaillance prématurée. Broan-NuTone recommande également de toujours vous référer à une entreprise de services compétente et reconnue par Broan-NuTone pour vos pièces de remplacement et appels de service.



## 15. GARANTIE

### GARANTIE LIMITÉE DE 5 ANS SUR LES PRODUITS BEST<sup>MD</sup>

**Période de garantie et exclusions :** Broan-NuTone LLC (l'« entreprise ») garantit au consommateur qui achète son produit (« vous ») que le produit (le « produit ») restera exempt de défauts importants dans ses composants ou sa fabrication pendant une période de cinq (5) ans à compter de la date de l'achat initial (ou pour une période plus longue si la loi en vigueur l'exige) ou une période de deux (2) ans à compter de la date de la prestation d'un service sur le produit.

La garantie limitée des pièces de rechange fournies par l'entreprise et de tout produit réparé ou remplacé en vertu de cette garantie est valide pour la durée non écoulée de la période de garantie initiale (ou d'une période plus longue si la loi en vigueur l'exige).

**LA PRÉSENTE GARANTIE NE S'APPLIQUE PAS AUX DÉMARREURS DE LAMPE FLUORESCENTE, NI AUX TUBES, AMPOULES, FUSIBLES, FILTRES, CONDUITS, CAPUCHONS DE TOIT, CAPUCHONS MURAUX ET AUX AUTRES ACCESSOIRES POUR CONDUITS.** Cette garantie exclut : a) l'entretien normal, b) l'usure normale, c) les produits et les pièces ayant fait l'objet d'une utilisation mauvaise, abusive ou anormale, d'une négligence, d'un accident, d'un entretien ou d'un entreposage, d'une réparation ou d'un entretien inadéquats ou insuffisants (sauf s'il s'agit d'une réparation effectuée par l'entreprise), d) les dommages attribuables à une installation incorrecte ou à une installation ou utilisation contraires aux recommandations ou aux instructions, e) les dommages attribuables au contact de l'air salin, f) les dommages survenus durant le transport, g) l'usure normale de la finition, h) les produits d'utilisation commerciale ou non résidentielle, i) les dommages causés par le feu, une inondation ou une autre catastrophe naturelle, ou j) les produits dont le numéro de série a été altéré ou effacé. Cette garantie ne s'applique qu'aux produits vendus aux consommateurs en Amérique du Nord. La présente garantie remplace les garanties précédentes et, sous réserve de la loi applicable, n'est pas transférable par l'acheteur initial.

**Aucune autre garantie :** La présente garantie limitée énonce l'unique obligation de l'entreprise et votre seul recours pour les produits défectueux. Les garanties qui précèdent sont exclusives et l'emportent sur les autres garanties et modalités, expresses ou implicites. **DANS TOUTE LA MESURE PERMISE PAR LA LOI EN VIGUEUR, L'ENTREPRISE SE DÉGAGE DES AUTRES GARANTIES ET MODALITÉS EXPRESSES ET DES GARANTIES ET MODALITÉS IMPLICITES EN VERTU DE LA LOI, Y COMPRIS, SANS S'Y LIMITER, LES GARANTIES DE QUALITÉ MARCHANDE ET D'ADAPTATION À UN USAGE PARTICULIER.** Dans la mesure où la loi applicable interdit l'exclusion des garanties ou modalités implicites, la durée d'une garantie ou modalité implicite applicable est restreinte à la période indiquée pour la garantie expresse ci-dessus. Certains territoires de compétence (ce qui peut inclure la province de Québec ou certains États des États-Unis) interdisent les limites à la durée des garanties implicites; la restriction susmentionnée pourrait donc ne pas s'appliquer à vous. Les descriptions orales ou écrites du produit ont pour seul objet d'indiquer les produits et ne sauraient être interprétées dans le sens d'une garantie expresse. Autant que possible, chaque disposition de cette garantie limitée est interprétée de sorte qu'elle soit valide sous le régime de la loi applicable, mais si l'une de ses dispositions est déclarée interdite ou nulle, cette disposition n'est nulle que dans la mesure de cette interdiction ou nullité, et les autres éléments de cette disposition ainsi que les autres dispositions de la garantie limitée restent valides.

**Recours :** Durant la période de la garantie limitée applicable, l'entreprise fournira, à son choix, des pièces de rechange ou des services de réparation ou de remplacement sans frais pour tout produit ou toute pièce de produit, dans la mesure où l'entreprise constate que la présente garantie limitée s'applique à ce produit ou à cette pièce dans le contexte d'une utilisation et d'un entretien normaux. L'entreprise vous expédiera le produit réparé, son remplacement ou les pièces de rechange sans frais. Vous assumez la totalité des coûts de mise hors service, de réinstallation, d'expédition et d'assurance et les autres frais de transport associés à la livraison du produit ou de la pièce à l'entreprise. Si vous devez envoyer le produit ou la pièce à l'entreprise, conformément à ses instructions, vous devez emballer adéquatement le produit ou la pièce; l'entreprise n'est pas responsable des dommages survenus durant le transport. L'entreprise se réserve le droit d'utiliser des produits ou pièces remis à neuf, réparés ou remanufacturés aux fins de réparation ou de remplacement dans le cadre de la garantie. Ces produits et ces pièces seront comparables quant à la fonction et aux performances avec les produits ou pièces d'origine, et protégés par une garantie pour la durée restante de la période de garantie initiale (ou d'une période plus longue si la loi en vigueur l'exige). L'entreprise se réserve le droit, à son entière discrétion, de rembourser le montant que vous avez effectivement payé pour le produit. Si le produit ou la pièce n'est plus disponible, elle peut le ou la remplacer par un produit similaire de valeur égale ou supérieure, à son entière discrétion. Ceci constitue votre seul recours advenant un non-respect de la présente garantie limitée.

**Exclusion des dommages :** **L'OBLIGATION DE L'ENTREPRISE DE FOURNIR DES PIÈCES DE RECHANGE, OU DE RÉPARER OU REMPLACER LE PRODUIT, À SON CHOIX, EST VOTRE SEUL RECOURS EN VERTU DE LA PRÉSENTE GARANTIE LIMITÉE ET L'UNIQUE OBLIGATION DE L'ENTREPRISE. CETTE DERNIÈRE N'EST PAS RESPONSABLE DES DOMMAGES INDIRECTS OU SPÉCIAUX DÉCOULANT DIRECTEMENT OU INDIRECTEMENT DU PRODUIT, DE SON UTILISATION OU DE SES PERFORMANCES.**

Certains territoires de compétence interdisent l'exclusion ou la restriction des dommages indirects; la restriction qui précède pourrait donc ne pas s'appliquer à vous. Cette garantie vous donne des droits spécifiques, et vous pourriez aussi avoir d'autres droits, qui varient selon le territoire de compétence. Les renonciations, exclusions et restrictions de responsabilité aux termes de cette garantie ne s'appliquent pas dans la mesure où la loi en vigueur interdit une telle application.

La présente garantie ne s'applique qu'au remplacement ou à la réparation de produits ou pièces de produit défectueux effectué au principal lieu d'affaires de l'entreprise, et exclut les frais de déplacement et de subsistance liés aux services fournis sur le terrain.

Tout soutien que l'entreprise vous fournit ou vous procure et qui n'est pas visé par les dispositions, limites ou exclusions de la présente garantie limitée ne constitue pas une renonciation à ces dispositions, limites ou exclusions, et la fourniture de ce soutien ne prolonge ni ne rétablit la garantie.

L'entreprise ne vous remboursera pas vos dépenses faites pour la réparation ou le remplacement d'un produit défectueux, sauf celles pour lesquelles vous avez obtenu le consentement écrit de l'entreprise.

**Comment obtenir le service de garantie :** Pour avoir droit au service de garantie, vous devez : a) aviser l'entreprise à l'adresse ou au numéro de téléphone indiqué ci-dessous dans les sept (7) jours qui suivent la date où vous avez eu connaissance de la défectuosité couverte, b) indiquer le numéro de modèle et les données d'identification de la pièce, et c) décrire la nature de toute défectuosité du produit ou de la pièce. Au moment où vous demandez le service de garantie, vous devez présenter une preuve de la date de l'achat initial. Si vous ne pouvez pas produire de copie de l'original de la garantie limitée, alors ce seront les modalités de la dernière version de la garantie limitée de votre produit de l'entreprise qui s'appliqueront.

### SPÉCIFICATIONS DU PRODUIT

Toutes les illustrations et les spécifications des produits contenues dans ce catalogue sont établies d'après les plus récentes données disponibles en date de la production. Broan-NuTone LLC et BEST<sup>MD</sup> se réservent le droit de modifier les prix, les couleurs, les composants, les produits, les spécifications et les modèles, de déplacer le lieu de fabrication et de cesser la production d'un modèle ou d'un produit, et ce, en tout temps et sans préavis.

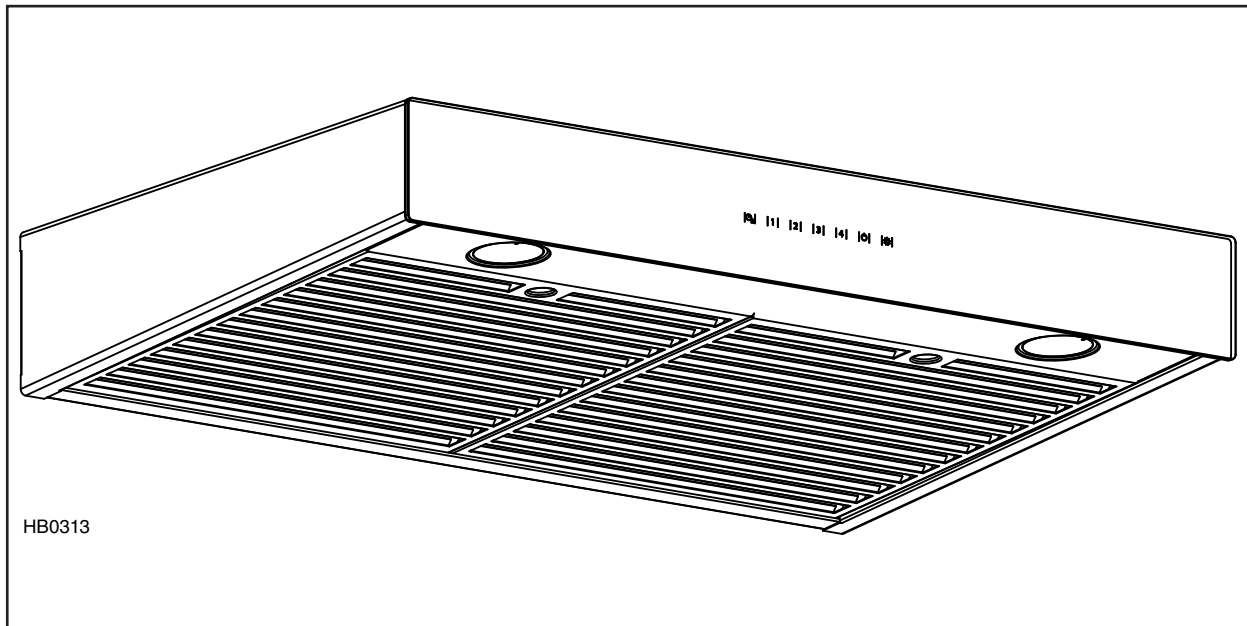
Best

Broan-NuTone LLC : 926 W. State Street, Hartford (WI) 53207 1 800 637-1453

Best<sup>MD</sup>, 550, boul. Lemire, Drummondville (Québec), Canada (1 866 737-7770) fr.bestrangehoods.ca



# best®



## SERIE UCB3I

⚠ DESTINADA ÚNICAMENTE PARA COCINAS DOMÉSTICAS ⚠

**LIRE ET CONSERVER CES DIRECTIVES**

INSTALADOR: DEJE ESTE MANUAL AL PROPIETARIO.  
PROPIETARIO: INFORMACIÓN SOBRE USO Y CUIDADO EN LAS  
PÁGINAS 8 Y 9.

BEST; Hartford, Wisconsin [www.BestRangeHoods.com](http://www.BestRangeHoods.com) 800 558-1711  
BEST; Drummondville, QC, Canada [www.BestRangeHoods.ca](http://www.BestRangeHoods.ca) 866 737-7770



## **⚠️ ADVERTENCIA**

### **PARA REDUCIR EL RIESGO DE INCENDIO, CHOQUE ELÉCTRICO O HERIDAS CORPORALES, SIGA LAS INDICACIONES SIGUIENTES:**

1. Utilice este aparato sólo en la forma prevista por el fabricante. Si tiene preguntas, póngase en contacto con el fabricante en la dirección o número de teléfono indicados en la garantía.
2. Antes del mantenimiento o de la limpieza del aparato, apague la alimentación en el tablero de servicio y bloquee los medios de desconexión para evitar que se conecte la corriente accidentalmente. Cuando no se puedan bloquear los medios de desconexión de servicio, coloque firmemente un dispositivo de aviso visible, como una etiqueta, en el tablero de servicio.
3. Los trabajos de instalación y el cableado eléctrico han de ser realizados por personal cualificado, de conformidad con todos los códigos y normas aplicables, incluyendo los códigos y normas de construcción contra incendios.
4. Se necesita aire suficiente para una combustión adecuada y para sacar los gases por la chimenea del equipo que quema el combustible para evitar la contracorriente. Siga las directrices del fabricante del equipo de calefacción y las normas de seguridad, tales como las que publica la Asociación Nacional de Protección Contra Incendios (NFFPA) y la Sociedad Americana de Ingenieros de Calefacción, Refrigeración y Aire Acondicionado (ASHRAE) y las de las autoridades responsables del código local.
5. Al cortar o taladrar en la pared o en el techo, procure no dañar el cableado eléctrico ni otras instalaciones ocultas.
6. Los ventiladores con conductos deben tener siempre salida al exterior.
7. No use el aparato con cualquier dispositivo de control de velocidad de semiconductores.
8. Para reducir el riesgo de incendio, utilice sólo conductos metálicos.
9. Este aparato debe conectarse a tierra.
10. El vidrio templado puede romperse de forma espontánea. Si se rompe, el vidrio templado se cae en trozos unidos. Ocasionalmente, el vidrio templado puede romperse en pedazos grandes en vez de en trozos pequeños como ocurre habitualmente.
11. Cuando la reglamentación local aplicable sea más restrictiva en materia de instalación o certificación, dicha reglamentación prevalecerá sobre las exigencias de este manual y el instalador acepta atenerse a dicha reglamentación y asumir los gastos correspondientes.

### **PARA REDUCIR EL RIESGO DE INCENDIO DE LA GRASA ACUMULADA EN LA PARTE SUPERIOR DE LA COCINA:**

- a) Nunca deje una cocina a fuego fuerte desatendida. Los desbordamientos causan humo y derrames grasientos que pueden encenderse. Caliente el aceite lentamente y a fuego lento o mediano.
- b) Encienda la campana siempre que cocine a fuego fuerte o al flambear alimentos (p. ej., Creps Suzette, cerezas Jubilee, carne de res flambeada con pimienta).
- c) Limpie los ventiladores con frecuencia. No debe dejarse que se acumule la grasa en el ventilador, filtros o conductos de salida.
- d) Use sartenes, ollas y cacerolas del tamaño adecuado a las dimensiones de la placa eléctrica o fuego. Utilice siempre recipientes de cocina apropiados para el tamaño de la placa eléctrica o fuego.

## **⚠️ ADVERTENCIA**

### **PARA REDUCIR EL RIESGO DE LESIONES PERSONALES EN CASO DE INCENDIO DE LA GRASA ACUMULADA EN LA PARTE SUPERIOR DE LA COCINA, SIGA ESTAS INDICACIONES\*:**

1. SOFOQUE LAS LLAMAS con una tapa bien ajustada, una bandeja metálica u hoja para hacer galletas y, a continuación, apague el quemador. **TENGA CUIDADO DE NO QUEMARSE.** Si las llamas **NO SE APAGAN INMEDIATAMENTE, EVACÚE EL LUGAR INMEDIATAMENTE Y LLAME A LOS BOMBEROS.**
2. **NO TRATE NUNCA DE SUJETAR UNA SARTÉN EN LLAMAS:** podría quemarse.
3. **NO USE AGUA,** ni trapos de cocina o toallas húmedos: esto podría causar una violenta explosión de vapor.
4. Use un extintor **SÓLO** si:
  - A. Tiene un extintor de tipo ABC y sabe cómo funciona.
  - B. El fuego es pequeño y se limita a la zona donde comenzó.
  - C. Ya llamó a los bomberos.
  - D. Puede combatir el fuego disponiendo de un lugar de salida a su espalda.

\* Basado en "Kitchen Fire Safety Tips" (consejos de seguridad contra incendios de cocina) publicado por la NFFPA.

## **PRECAUCIÓN**

1. Sólo para uso interior.
2. Sólo para ventilación general. No lo use para evacuar materias ni vapores peligrosos o explosivos.
3. Para evitar daños en los cojinetes del motor y ventiladores ruidosos o desequilibrados, mantenga la pulverización del cartón yeso, el polvo de construcción, etc. lejos de la campana.
4. El motor de la campana tiene un dispositivo de sobrecarga térmica que apaga automáticamente el motor si se sobrecalienta. El motor volverá a funcionar cuando se enfríe. Si el motor sigue apagándose y encendiéndose, haga que un técnico examine la campana.
5. La distancia mínima entre la campana y la superficie sobre la que se cocina no debe ser inferior a 24" (30" para una cocina de gas). Se aconseja una distancia máxima de 30" por encima de la superficie sobre la que se cocina para capturar mejor las impurezas que se producen al cocinar. **Para una cocina de gas,** la parte inferior de la campana **NO DEBE ESTAR A MENOS** de 30" por encima de la superficie sobre la que se cocina.
6. Se recomienda que haya dos personas para instalar la campana dadas sus grandes dimensiones y su peso.
7. Para reducir el riesgo de incendio y expulsar el aire debidamente, compruebe que el aire vaya al exterior. No lleve el aire a espacios situados entre paredes, en el techo o en un desván, en sótanos pequeños ni en cocheras.
8. Dada la alta capacidad de expulsión de aire de esta campana, debe asegurarse de que en la casa entra aire suficiente. Abra una ventana en o cerca de la cocina.
9. Utilice sólo con un conjunto autorizado de conexión con cordón.
10. Para mayor información sobre otras exigencias, lea la etiqueta de especificaciones que viene en el aparato.

# ÍNDICE

1. INSTALACIÓN DE LOS CONDUCTOS .....	3
2. PREPARE LA INSTALACIÓN.....	4
3. PREPARE LA CAMPANA .....	4-5
4. INSTALE EL PANEL DE VIDRIO (MODELOS SBN ÚNICAMENTE) .....	5
5. INSTALE EL ADAPTADOR/COMPUERTA .....	6
6. INSTALE LA CAMPANA .....	7
7. CONEXIÓN ELECTRICA .....	7
8. VUELVA A INSTALAR LA RUEDA DEL VENTILADOR Y EL TABLERO INFERIOR .....	7
9. VUELVA A INSTALAR LOS FILTROS HÍBRIDOS .....	8
10. LUCES LED.....	8
11. MANTENIMIENTO.....	8
12. FUNCIONAMIENTO .....	9
13. DIAGRAMA ELÉCTRICO .....	10
14. PIEZAS DE RECAMBIO .....	11
15. GARANTÍA.....	12

## 1. INSTALACIÓN DE LOS CONDUCTOS

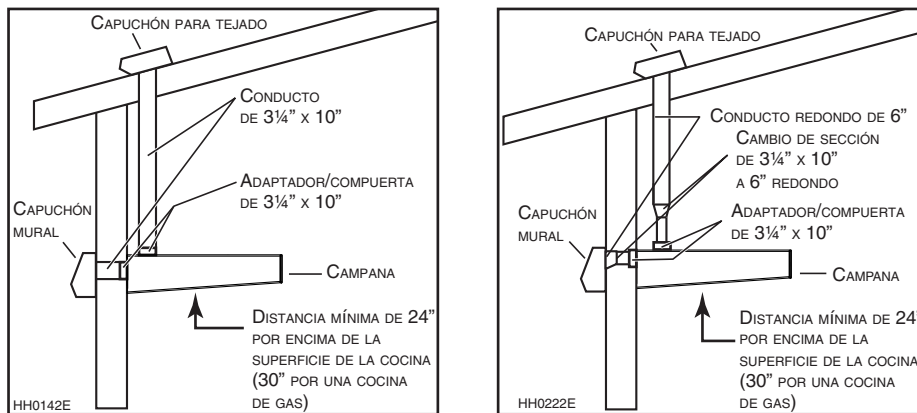
Planifique dónde y como se van a colocar los conductos.

Los conductos desde este ventilador hacia el exterior del edificio tienen un gran efecto sobre el flujo de aire, el ruido y el uso de energía del ventilador. Utilice el tramo de conductos más corto y recto posible para obtener un desempeño óptimo y evite instalar el ventilador con conductos menores que los recomendados. El aislamiento alrededor de los conductos puede reducir la pérdida de energía e inhibir el desarrollo de moho. Los ventiladores instalados en conductos existentes podrían no obtener el flujo de aire nominal. Consultar la tabla abajo como referencia para la planificación de la instalación la más eficaz.

Instale un capuchón mural o un capuchón para tejado, después asegúrese hay nunca daño en la aislamiento de la casa. Conecte el conducto metálico de tamaño adecuado (3¼" x 10" o 6" redondo) y vuelva al lugar donde se encuentra la campana. Si ya hay conductos redondos de 6" instalados, utilice un cambio de sección de 3¼" x 10" a 6" colocándolo, de ser posible, a 18" de distancia del adaptador/compuerta. Use cinta adhesiva metálica de 2" para sellar las juntas entre los tramos de los conductos.

**Aconsejamos que la campana se instale a una distancia mínima de 24 pulgadas de la superficie de una cocina eléctrica y de 30 pulgadas de la superficie de una cocina de gas.**

Las distancias superiores a 30 pulgadas son a discreción del instalador o del usuario.



**LARGOS MÁXIMOS RECOMENDADOS DE CONDUCTO PARA CONSEGUIR UN RENDIMIENTO DE 80 % DE EVACUACIÓN DE AIRE.**

LARGO MÁXIMO DE CONDUCTO DE 3¼" x 10"	LARGO MÁXIMO DE CONDUCTO DE 6" DE DIÁMETRO	CAPUCHÓN MURAL Ó PARA TEJADO CON DISPOSITIVO DE CIERRE	CODO(S)* DE 90° Y/Ó DE 45°
60 PIES	-	1	0
50 PIES	-	1	1
40 PIES	-	1	2
-	50 PIES	1	0
-	40 PIES	1	1
-	30 PIES	1	2

\*Codos ESTANDARDES CON RADIO INTERNAL DE 1 PULG.

## 2. PREPARE LA INSTALACIÓN

### ⚠ ADVERTENCIA

Se aconseja llevar anteojos y guantes de seguridad al instalar, reparar o limpiar el aparato.

NOTA : Antes de comenzar la instalación, verificar el contenido de la caja. Si alguna pieza falta o está dañada, póngase en contacto con el fabricante.

Compruebe que el aparato viene con los elementos siguientes:

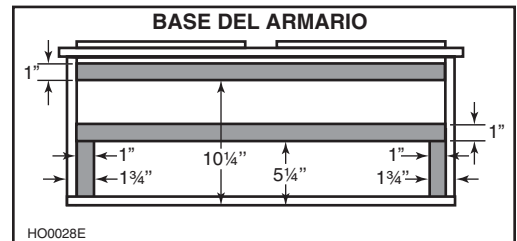
- Campana
- Accesorios:
  - 2 filtros híbridos
  - Adaptador/compuerta de 3¼" x 10" (situado en un envoltorio de poliestireno)
  - Bosa de piezas (situado en un envoltorio de poliestireno) incluye:
    - 1 abrazadera de hilos, 9 tornillos n.º 8 x 1/2"; 2 conectores de hilos et 3 tornillos estándar n.º 6 x 1/2"

Piezas vendidas aparte:

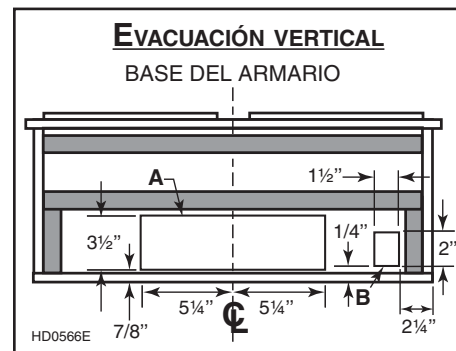
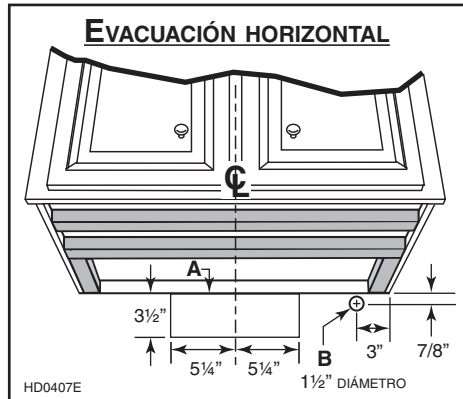
- Conductos, codos, capuchón mural o para tejado.
- Cambio de sección de 3¼" x 10" a un conducto dedondo de 6" (optional, para una instalación con conducto redondo de 6" solamente)
- Panel de vidrio para los modelos UCB3I30SBN y UCB3I36SBN (consulte la lista de piezas de servicio en la página 11)

NOTAS: 1. Proteja la encimera y la parte superior de la cocina durante la instalación.

2. Si la parte inferior del armario está empotrada, instale 4 tiras de madera de 1" de ancho (no incluidas), para llenar el espacio. Consulte la imagen de al lado para instalar adecuadamente las tiras de madera.

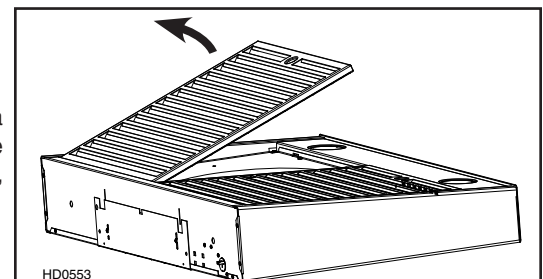


Corte las aberturas para la tubería (A) y el cable de alimentación (B) en el armario o en la pared, según el tipo de evacuación que se haya elegido (horizontal o vertical). Véanse las siguientes imágenes.



## 3. PREPARE LA CAMPANA

**3.1** Ponga los filtros de la campana sobre una mesa. Use un pedazo de cartón para evitar dañar la mesa o la campana. Quite la cinta que hay sobre los filtros. Quite los filtros empujándolos hacia atrás y volteándolos hacia arriba y, a continuación, póngalos a un lado.



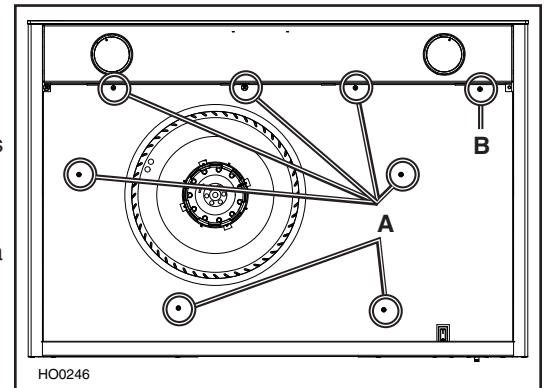
### 3. PREPARE LA CAMPANA (CONT.)

#### 3.2 PARA CAMPANAS DE 30" DE ANCHURA:

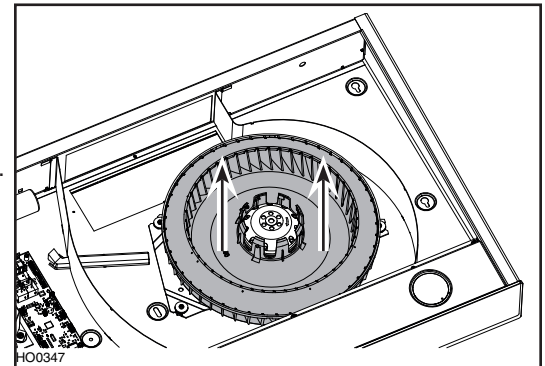
Retire los 7 tornillos (sólo los tornillos A) que sujetan el panel inferior y póngalos a un lado.

#### PARA CAMPANAS DE 36" DE ANCHURA:

Retire los 8 tornillos (tornillos A y B) que sujetan el panel inferior y póngalos a un lado.



3.3 Use ambas manos para tirar suavemente de la rueda del ventilador para retirarla. Ponga la rueda del ventilador a un lado.



### 4. INSTALE EL PANEL DE VIDRIO (MODELOS SBN ÚNICAMENTE)

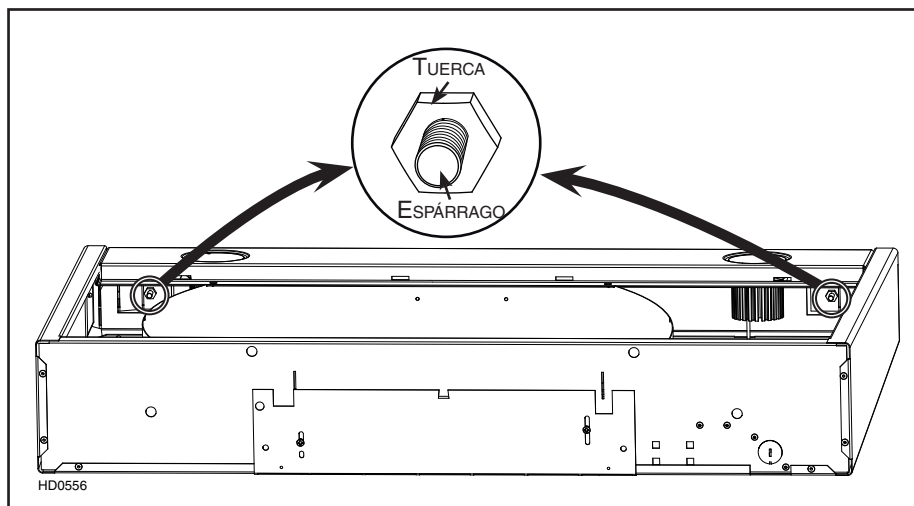
El panel de vidrio de los modelos de campana SBN se vende por separado y tiene que instalarse antes de completar la instalación de la campana.

#### 4.1 Saque con cuidado el panel de vidrio de su embalaje

Retire las tuercas del panel de vidrio (instaladas en fábrica) de ambos espárragos y póngalas a un lado.

#### 4.2 Introduzca los espárragos del panel de vidrio en los agujeros delanteros de la campana.

4.3 Mientras mantiene el panel de vidrio, apriete a mano las tuercas que retiró anteriormente. Compruebe que el panel de vidrio está a ras con la parte superior de la campana y centrado con respecto a ambos lados. A continuación, utilice una llave de 3/8" para apretar bien las tuercas.

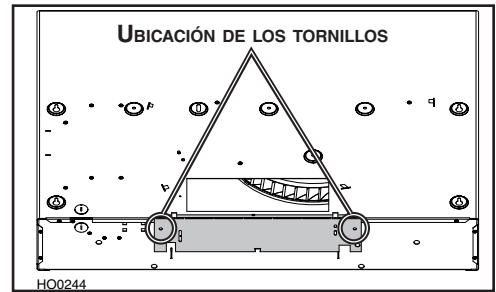


## 5. INSTALE EL ADAPTADOR/COMPUERTA (TODOS LOS MODELOS)

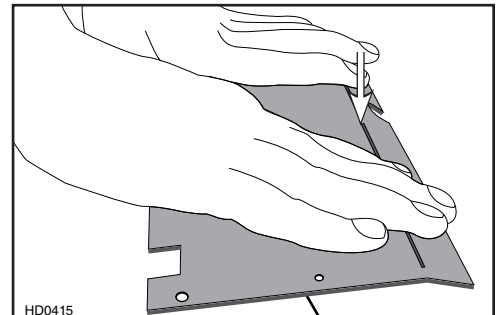
El conducto de la pared debe prepararse para que conecte correctamente con la campana. Antes de realizar la instalación, asegúrese de que el adaptador encaja fácilmente en el conducto. Si esta campana sustituye a otra anterior, tenga en cuenta que la ubicación de la salida de aire puede variar de un fabricante a otro.

### PARA DESCARGA HORIZONTAL ÚNICAMENTE:

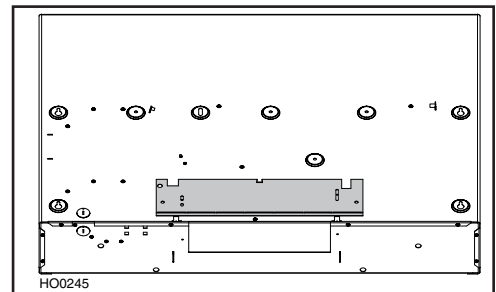
Gire la campana y retire la placa metálica de cierre de la parte posterior de la campana, sacando para ello los dos tornillos de sujeción. Ponga los tornillos a un lado.



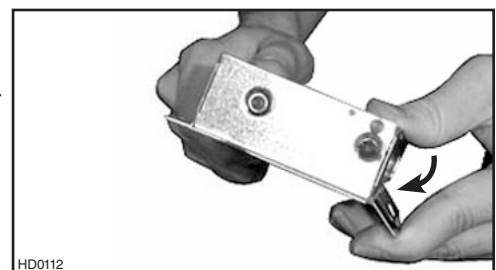
Presione la placa metálica de cierre sobre una superficie plana para aplanar completamente el reborde doblado.



Use los dos tornillos que retiró previamente para instalar la placa metálica de cierre en la parte superior de la campana.

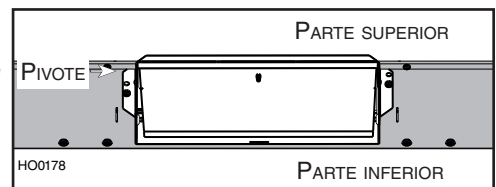


Pliegue hacia abajo el reborde plegable del adaptador/compuerta. Este reborde debe estar a 90° con respecto a los demás rebordes. Véase la foto de al lado.



Utilice 2 tornillos no 6 x 1/2" provistos para sujetar el adaptador/compuerta a la parte posterior de la campana. Retire la cinta de la solapa de la compuerta.

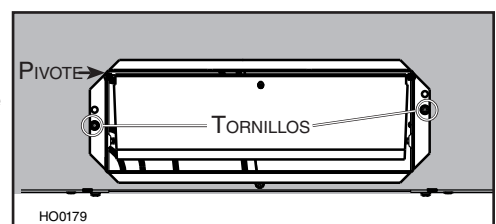
Selle el adaptador/compuerta a la campana con cinta adhesiva metálica.



### PARA DESCARGA VERTICAL ÚNICAMENTE:

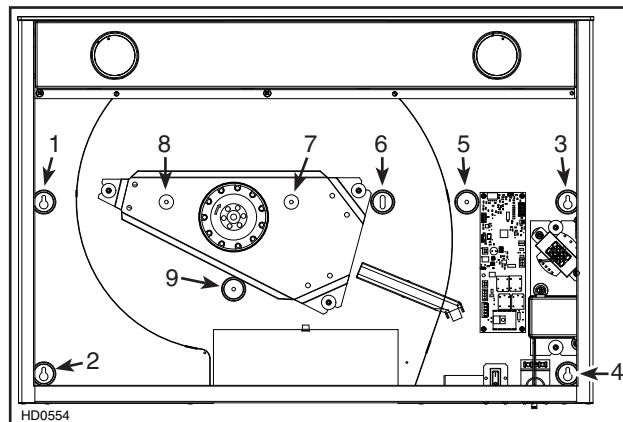
Utilice 2 tornillos no 6 x 1/2" provistos para sujetar el adaptador/compuerta a la parte superior de la campana. Retire la cinta de la solapa de la compuerta.

Selle el adaptador/compuerta a la campana con cinta adhesiva metálica.



## 6. INSTALE LA CAMPANA

**6.1** Lleve el cable de alimentación hasta el lugar de la instalación. Coloque la campana en el lugar donde desea instalarla. Use un lápiz para marcar la posición de los tornillos (como se muestra a la derecha). Retire la campana.



**6.2** Instale los cuatro primeros tornillos n.o 8 x 1/2", dejando un espacio de 1/8" (no instale aún los tornillos n.º 5, 6, 7, 8 y 9).

**6.3** Instale la abrazadera de hilos e introduzca el cable de alimentación en la campana. Coloque la campana debajo del armario, sitúela en su posición y apriete la abrazadera de hilos para sujetar el cable. Asegúrese de que el adaptador/compuerta entra en la apertura del conducto. Apriete completamente los 4 primeros los tornillos y, a continuación, agregue los últimos tornillos (tornillos n.º 5, 6, 7, 8 y 9) en los orificios centrales. Asegúrese de que la solapa de la compuerta abre sin dificultad.

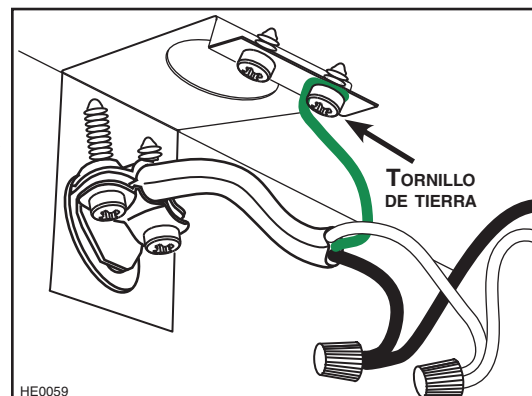
## 7. CONEXIÓN ELÉCTRICA

### ⚠ ADVERTENCIA

**Riesgo de descarga eléctrica. El cableado eléctrico debe hacerlo personal cualificado de acuerdo con los códigos y normas aplicables. Antes de conectar los hilos, corte la corriente en el tablero de servicio y bloquee éste para evitar que se ponga en marcha accidentalmente.**

Conecte el cable de alimentación de la vivienda al cableado de la campana utilizando los conectores de cables incluidos.

Conecte el cable NEGRO al NEGRO, el BLANCO al BLANCO y el VERDE ó el desnude al el tornillo que toma de tierra (A). **JAMÁS DEBE OLVIDARSE DE CONECTAR LA TOMA DE TIERRA.**



## 8. VUELVA A INSTALAR LA RUEDA DEL VENTILADOR Y EL TABLERO INFERIOR

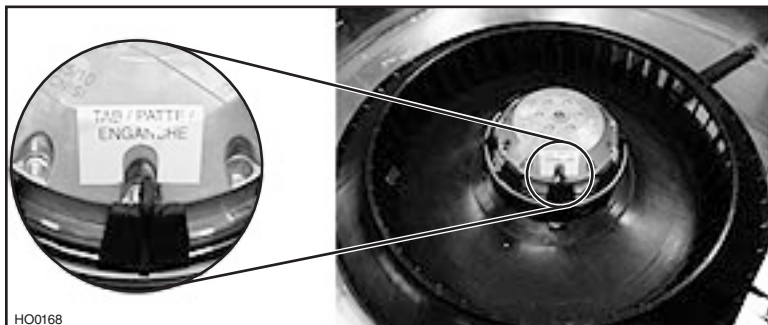
### PRECAUCIÓN

**Al volver a instalar la rueda del ventilador, asegúrese de que la pequeña pestaña esté alineada con la etiqueta amarilla en el motor.**

**8.1** Vuelva a instalar la rueda del ventilador: Use ambas manos para empujar suavemente la rueda del ventilador hasta que quede afianzada.

**8.2** Introduzca el tablero inferior en la parte posterior de la campana.

**8.3** Sujete el tablero inferior a la campana usando los 7 u 8 tornillos que quitó anteriormente en la etapa 3.2.



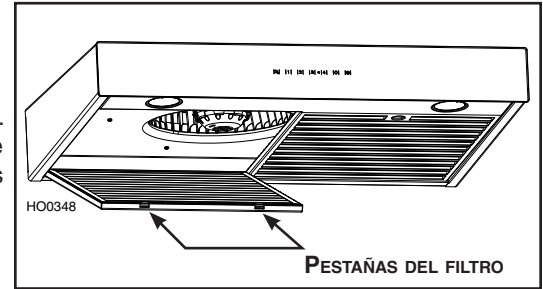


## 9. VUELVA A INSTALAR LOS FILTROS HÍBRIDOS

### PRECAUCIÓN

Quite la película protectora de plástico que cubre los filtros antes de volver a instalarlos.

Apoye el borde trasero de los filtros en los resortes de los filtros de la campana. Incline los filtros para colocarlos en su posición. Asegúrese de que las pestañas de los filtros estén bien encajadas en las ranuras del borde delantero de la campana tras la instalación.



## 10. LUCES LED

Esta campana se ilumina con dos módulos LED (incluidos).

### ⚠ ADVERTENCIA

No toque los módulos LED cuando estén encendidas o poco después de apagarlas. Podría quemarse. No pueden sustituirse por cualquier otro tipo de bombilla o de módulo LED.

## 11. MANTENIMIENTO

### ⚠ ADVERTENCIA

Antes de reparar o limpiar el aparato, apáguelo en el tablero de servicio y bloquee los medios de desconexión para impedir que la corriente se conecte accidentalmente. Cuando no se pueda bloquear los medios de desconexión, coloque un dispositivo de advertencia visible (como una etiqueta) en el tablero de servicio.

#### FILTROS HÍBRIDOS Y TABLERO INFERIOR

Los filtros híbridos y el tablero inferior deben limpiarse con frecuencia. Utilice una disolución de detergente con agua templada. Quite los filtros empujándolos hacia atrás y volteándolos hacia arriba.

Lave los filtros metálicos en el lavaplatos con un detergente sin fosfato. Los filtros pueden descolorarse si se lavan con detergentes con fosfato o debido a las características del agua local pero esto no afecta su desempeño. Esta descoloración no está cubierta por la garantía. A fin de reducir al mínimo o prevenir la descoloración, lave los filtros a mano con un detergente suave.

#### ACERO INOXIDABLE

##### Debe hacerse:

- Limpiar regularmente las superficies con un trapo limpio humedecido con una mezcla de agua templada y jabón suave o detergente para la vajilla.
- Limpiar siempre en la dirección de las líneas originales de pulido del acero.
- Enjuagar siempre con agua limpia (2 o 3 veces) después de limpiar. Seque completamente.
- También puede utilizar un limpiador doméstico especial para acero inoxidable.

##### No debe hacerse:

- Utilizar un estropajo de acero o acero inoxidable u otro tipo de rasquetas para quitar la suciedad resistente.
- Utilizar limpiadores fuertes o abrasivos.
- Dejar que la suciedad se acumule.
- Dejar que el polvo del yeso u otros residuos de la construcción manchen la campana. Si efectúa obras de construcción o renovación, cubra la campana para que no se manche la superficie de acero inoxidable.

#### PANEL DE VIDRIO

Habitualmente sólo se necesita agua caliente y un jabón suave o un limpiador de cristales. Cuando se use jabón suave, enjuague con agua limpia. Seque con un paño limpio y suave para evitar marcas de agua.

##### Al escoger un detergente, evite:

- Los limpiadores que contienen **blanqueador** (lejía), ya que dañarán el acero inoxidable.
- Los productos que contengan **cloruro, fluoruro, yoduro y bromuro**, ya que deterioran las superficies rápidamente.
- Los productos combustibles que se emplean para la limpieza, como **acetona, alcohol, éter, bencol**, etc., ya que son altamente explosivos y nunca deberían estar cerca de una cocina.

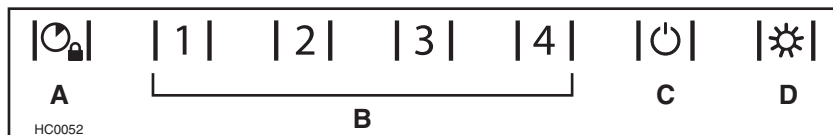


## 12. FUNCIONAMIENTO

Ponga en marcha siempre la campana antes de empezar a cocinar para crear una corriente de aire en la cocina. Deje que el ventilador funcione durante unos minutos para limpiar el aire una vez apagada la cocina.

### PRECAUCIÓN

**Después de una interrupción de la alimentación eléctrica o durante el encendido de la campana se produce una secuencia de arranque de 5 segundos. Espere a que la retroiluminación del control se apague antes de usar el aparato.**



#### **A. BOTÓN DE APAGADO DIFERIDO/BLOQUEO DE LOS CONTROLES (BOTÓN DE DOBLE FUNCIÓN):**

- Cuando seleccione una velocidad del ventilador, presione este botón para activar la función de apagado diferido. El botón de apagado diferido se iluminará a su máxima intensidad y luego pasará a intensidad intermedia para indicar que esta función está activada; el botón de velocidad del ventilador seleccionado alternará cada 2 segundos entre su máxima intensidad y su intensidad intermedia. El ventilador seguirá funcionando 5 minutos y se detendrá automáticamente. Seleccionar otra velocidad mientras está activada la función de apagado diferido no desactivará la función ni restablecerá el temporizador. Para cancelar la función de apagado diferido, presione de nuevo el botón de apagado diferido, o presione el botón de velocidad seleccionado, lo cual hará que se apague el ventilador también.
- Cuando el ventilador está apagado, es posible bloquear la interfaz de control con el fin de limpiar el panel de vidrio. Para bloquear la interfaz de control: Pulse y mantenga pulsado este botón durante 2 segundos. El botón se iluminará a su máxima intensidad, parpadeará tres veces y permanecerá en su intensidad intermedia para indicar que la interfaz de control está bloqueada. Para desbloquear la interfaz de control: Pulse y mantenga pulsado este botón durante 2 segundos. El botón se iluminará a su máxima intensidad, parpadeará tres veces y se atenuará hasta su intensidad más baja para indicar que la interfaz de control se ha desbloqueado.

#### **B. BOTONES DE SELECCIÓN DE VELOCIDAD:**

Pulse el botón correspondiente a la velocidad del ventilador deseada (de **1**, para velocidad baja, a **4**, para velocidad alta). El botón de velocidad seleccionado se iluminará a su máxima intensidad y luego se atenuará hasta su intensidad intermedia. Para apagar el ventilador, presione una vez más en el botón de velocidad del ventilador correspondiente; la luz del botón se atenuará hasta su intensidad más baja.

NOTA: cuando el ventilador está apagado, al pulsar el botón de velocidad del ventilador **1**, el ventilador se pondrá en marcha en la segunda velocidad brevemente y, a continuación, pasará a la velocidad **1**.

#### **C. BOTÓN DE ENCENDIDO Y APAGADO GENERAL:**

Cuando el ventilador y las luces están apagados, pulse este botón para encender la campana en la última velocidad memorizada. Si no hay ningún nivel de velocidad memorizada, la velocidad del ventilador será la **1** y la intensidad de la luz será la **3**. Pulse este botón una vez para apagar el ventilador y la luz simultáneamente.

**HEAT SENTRY™:** Esta campana viene equipada con un termostato Heat Sentry. Si el ventilador está encendido en una velocidad baja y se detecta un calor excesivo por encima de la superficie de cocción, el termostato hace pasar el ventilador a la tercera velocidad. Cuando la temperatura baja a la temperatura ambiente, el ventilador vuelve a su configuración original.

NOTA: cuando el termostato Heat Sentry está activado, la función de apagado diferido se desactiva.

### ⚠ ADVERTENCIA

**El dispositivo Heat Sentry puede cambiar la velocidad del ventilador cuando detecta calor excesivo por encima de la superficie de cocción. Si se produce esta situación y debe detener el ventilador, presione el botón de la tercera velocidad o el botón de apagado y encendido general.**

#### **D. BOTÓN DE LA LUZ/COLOR DE LA RETROILUMINACIÓN (BOTÓN DE DOBLE FUNCIÓN):**

- Este botón permite tres niveles de iluminación diferentes según sus necesidades. Presione una vez para obtener la intensidad máxima, dos veces para la intensidad intermedia, y una vez más para la luz nocturna. Para apagar las luces, presione una vez más. Si lo desea, cuando las luces están encendidas, mantenga presionado el botón de la luz durante 1 segundo y las luces se apagarán.

NOTA: Cuando únicamente las luces estén encendidas en cualquier intensidad y no se detecte ninguna interacción con la campana durante un período de 10 segundos, los 7 botones de la retroiluminación se atenuarán hasta su intensidad más baja, actuando así como luz nocturna.

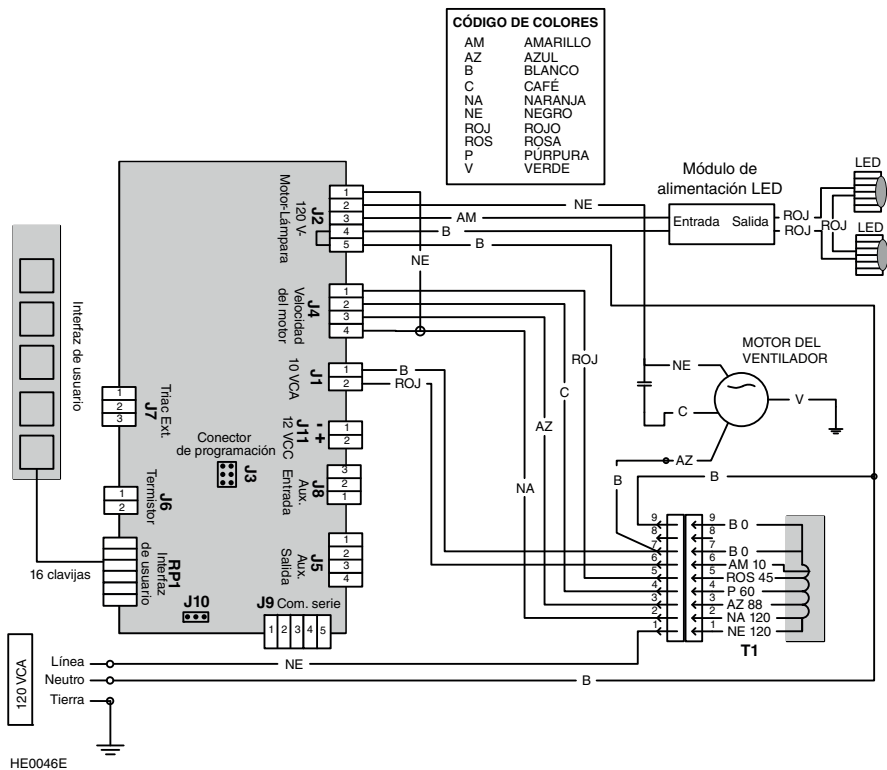
- Cuando las luces están apagadas, mantenga presionado este botón durante 1 segundo para cambiar el color de la retroiluminación del blanco al azul o del azul al blanco (el color predeterminado de la retroiluminación es el blanco) y memorizarlo. El botón parpadeará tres veces para indicar que se ha realizado el cambio de color.

NOTA: debido a la particular sensibilidad de la interfaz de control, mantenga limpio el panel de vidrio ya que la suciedad y la condensación pueden causar un funcionamiento anómalo del ventilador de la campana y/o de las luces. Si se produce esta situación, limpie el panel de vidrio y espere 90 segundos. A continuación, ajuste el ventilador y/o las luces a su gusto.

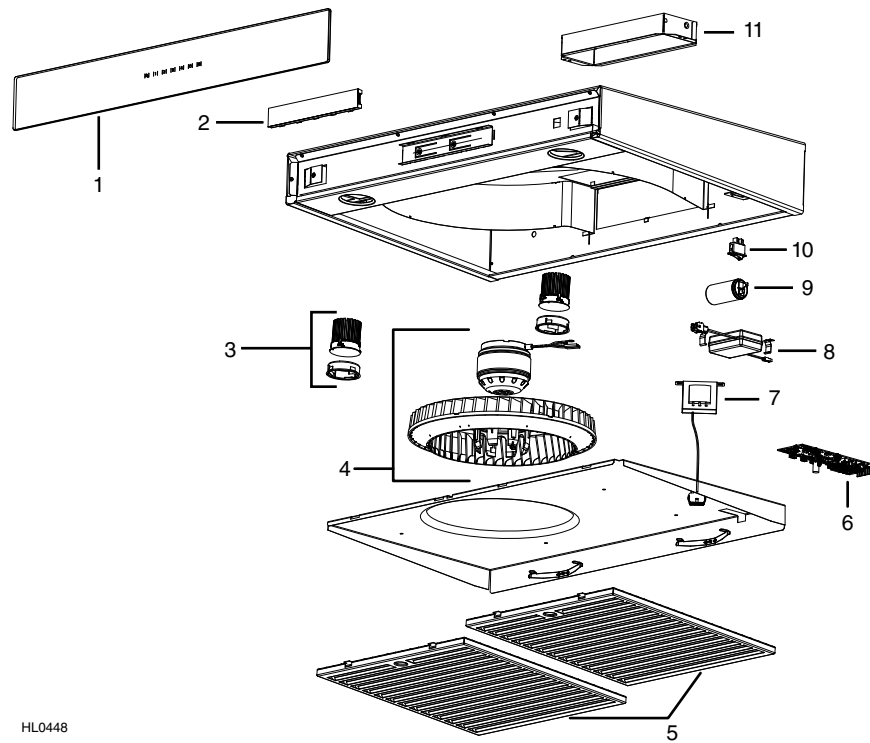
### 13. DIAGRAMA ELÉCTRICO

#### ⚠ ADVERTENCIA

Peligro de choque eléctrico. La instalación eléctrica debe ser hecha por personal calificado de acuerdo con todos los códigos aplicables y normas. Antes de efectuar el empalme, cortar la alimentación eléctrica del interruptor y cerrar con seguridad para prevenir una alimentación accidental.



## 14. PIEZAS DE RECAMBIO



HL0448

N.º	N.º DE PIEZA	DESCRIPCIÓN	ANCHURAS	
			30"	36"
1	SV09953XX*	PANEL DE VIDRIO 30"	1	
	SV09954XX*	PANEL DE VIDRIO 36"		1
2	SV22427	CONTROL ELECTRÓNICO	1	1
3	62612	MÓDULO LED	2	2
4	SV01766E	RUEDA Y MOTOR	1	1
5	SV62053	FILTRO HÍBRIDO 15.875" x 14" x 0.5"	2	2
6	SV21189	UNIDAD DE ALIMENTACIÓN	1	1
7	SV07325	TRANSFORMADOR	1	1
8	62248	MÓDULO DE ALIMENTACIÓN LED Y MAZO DE CABLES DE CONEXIÓN	1	1
9	SV02160	CONDENSADOR	1	1
10	SV08548	INTERRUPTOR OSCILANTE	1	1
11	SV13296	ADAPTADOR/COMPUERTA	1	1
**	SV23894	KIT CRT 300 PCM (OPCIONAL)	1	1
**	SV05869	LOGO BEST	1	1
**	SV23864	MANUAL DE INSTALACIÓN	1	1
**	SV06751	BOLSA DE PIEZAS	1	1

\*NÚMERO DE PIEZA SEGÚN EL COLOR DEL PANEL DE VIDRIO.

PÓNGASE EN CONTACTO CON EL SERVICIO DE ATENCIÓN AL CLIENTE O CONSULTE EL SITIO WEB.

\*\*NO SE MUESTRA.

### REPUESTOS Y REPARACIONES

Para que el aparato esté en buenas condiciones, sólo debe utilizar repuestos Broan-NuTone genuinos. Los repuestos Broan-NuTone genuinos han sido diseñados especialmente para cada aparato, han sido fabricados de conformidad con todas las normas de certificación aplicables y ofrecen un alto nivel de seguridad. El uso de repuestos diferentes puede provocar daños graves y reducir drásticamente el nivel de rendimiento del aparato, lo cual podría causar una avería prematura. Broan-NuTone recomienda ponerse en contacto con un almacén de servicio certificado para todos los repuestos y reparaciones.

## 15. GARANTÍA

### Garantía limitada DE CINCO AÑOS PARA PRODUCTOS BEST®

**Periodo de garantía y exclusiones:** Broan-NuTone LLC (la «Compañía») garantiza al consumidor quien compra su producto («Usted») que el producto (el «Producto») será libre de defectos importantes de fabricación y de materiales por una duración de cinco (5) años a partir de la fecha de compra (o por una duración más larga si la ley aplicable lo exige) o un periodo de dos (2) años a partir de la fecha de prestación de un servicio sobre el Producto.

El periodo de garantía limitada para las piezas de repuesto proporcionadas por la Compañía y los Productos reparados o reemplazados bajo esta garantía limitada será el resto del periodo de garantía original (o un periodo más largo si la ley aplicable lo exige).

**ESTA GARANTÍA EXCLUYE LOS ARRANCADORES DE LÁMPARAS FLUORESCENTES, LOS TUBOS, LAS BOMBILLAS, LOS FUSIBLES, LOS FILTROS, LOS CONDUCTOS, LAS TAPAS PARA TECHO, LAS TAPAS PARA PARED Y LOS OTROS ACCESORIOS PARA CONDUCTOS.** También excluye: a) el mantenimiento normal, b) el uso y desgaste normales, c) los productos y las piezas que han sido objeto de un uso indebido, anormal o negligente, un maltrato, un accidente, un mantenimiento, almacenamiento o reparación inadecuados (excepto en caso de reparación por la Compañía), d) los daños causados por una instalación inadecuada, o por una instalación o un uso contrario a las recomendaciones o instrucciones, e) los daños causados por el contacto con el aire salino, f) los daños que ocurran durante el transporte, g) el desgaste normal del acabado, h) los Productos que son objeto de un uso comercial o no residencial, i) los daños causados por el fuego, una inundación u otro desastre natural o j) los Productos a los cuales se les haya alterado, desfigurado o removido el número de serie. Esta garantía solo cubre los Productos vendidos a consumidores de Norteamérica.

Esta garantía substituye todas las garantías anteriores y, sin perjuicio de la ley aplicable, no se puede transferir por el comprador original.

**Ninguna otra garantía:** Esta garantía limitada enuncia la única obligación de la Compañía y el único recurso que tiene Usted en cuanto a los Productos defectuosos. Las garantías enunciadas arriba son exclusivas y se anteponen a todas las otras garantías y condiciones, ya sean expresas o implícitas. **EN LA MEDIDA MÁXIMA EN QUE LO PERMITA LA LEY APLICABLE, LA COMPAÑÍA RENUNCIA A TODAS LAS OTRAS GARANTÍAS Y CONDICIONES EXPRESAS O IMPLÍCITAS POR LA LEY Y LAS EXCLUYE, INCLUYENDO, ENTRE OTRAS, LAS GARANTÍAS DE COMERCIALIZACIÓN Y LAS DE IDONEIDAD PARA UN PROPÓSITO PARTICULAR.** En la medida en que la ley aplicable prohíba la exclusión de las garantías o condiciones implícitas, la duración de cualquier garantía o condición implícita aplicable se limita al periodo indicado para la garantía expresa mencionada arriba. Ciertas jurisdicciones (incluyendo a veces la provincia de Quebec o ciertos estados de los Estados Unidos) prohíben la restricción de la duración de las garantías implícitas, así que la restricción mencionada arriba podría no aplicarse a Usted. Las descripciones orales o escritas del Producto tienen como único propósito identificar al Producto y no se deben interpretar como una garantía expresa.

Cuando sea posible, cada disposición de esta garantía limitada se debe interpretar de manera que tenga plena validez y efectos legales bajo la ley aplicable, pero en el caso de que se declare prohibida o nula una disposición, ésta será nula solo en la medida en que lo prevea esta prohibición o nulidad, sin efecto para los otros elementos de esta disposición o las otras disposiciones de esta garantía limitada.

**Recurso:** Durante el periodo de garantía limitada aplicable, la Compañía, según su criterio, proporcionará piezas de repuesto o servicios de reparación o reemplazo sin cargo alguno para cualquier Producto o pieza de Producto, en la medida en que la Compañía constata a) que esta garantía cubre este Producto o esta pieza bajo un uso y mantenimiento normales y b) que la garantía queda incumplida. La Compañía le enviará el Producto reparado, el producto de reemplazo o las piezas de repuesto sin cargo alguno. Usted tendrá que pagar todos los costos de desinstalación, reinstalación y envío así como los otros cargos de transporte relacionados con el envío del Producto o la pieza a la Compañía. Si Usted debe enviar el Producto o la pieza a la Compañía, conforme a las instrucciones de la misma, Usted tendrá que empaquetar el Producto o la pieza correctamente; la Compañía no es responsable de los daños que ocurran durante el transporte. La Compañía se reserva el derecho de utilizar Productos o piezas reacondicionados, renovados, reparados o remanufacturados para la reparación o el reemplazo bajo esta garantía. Estos Productos y piezas serán comparables en cuanto a la función y el rendimiento con el Producto o la pieza original y serán garantizados por la duración restante del periodo de garantía original (o por una duración más larga si la ley aplicable lo exige). La Compañía se reserva el derecho, según su exclusivo criterio, de reembolsar el monto que Usted haya realmente pagado por el Producto. Si el Producto o la pieza ya no está disponible, la Compañía puede, según su exclusivo criterio, reemplazarlo con un producto similar de valor igual o superior. Esto constituye su único y exclusivo recurso en caso de incumplimiento de esta garantía limitada.

**Exclusión de los daños: LA OBLIGACIÓN DE LA COMPAÑÍA DE PROPORCIONAR PIEZAS DE REPUESTO O DE REPARAR O REEMPLAZAR EL PRODUCTO, SEGÚN SU CRITERIO, ES EL ÚNICO Y EXCLUSIVO RECURSO QUE TIENE USTED BAJO ESTA GARANTÍA LIMITADA Y LA ÚNICA OBLIGACIÓN DE LA COMPAÑÍA. ÉSTA NO SERÁ RESPONSABLE DE LOS DAÑOS INCIDENTALES, INDIRECTOS, CONSECUENTES O ESPECIALES CAUSADOS DIRECTAMENTE O INDIRECTAMENTE POR EL PRODUCTO, SU USO O SU RENDIMIENTO.**

Puesto que ciertas jurisdicciones prohíben la exclusión o restricción de los daños incidentales o consecuentes, la exclusión o restricción mencionada arriba podría no aplicarse a Usted. Esta garantía le otorga derechos legales específicos, y Usted también podría tener otros derechos, los cuales pueden ser diferentes según la jurisdicción. Las renunciaciones, exclusiones y restricciones de responsabilidad bajo esta garantía no se aplican en la medida en que lo prohíba la ley aplicable. Esta garantía solo cubre el reemplazo o la reparación de las piezas o los Productos defectuosos al sitio de negocio principal de la Compañía; los gastos de viaje y estancia relacionados con los servicios de campo están excluidos. Cualquier asistencia proporcionada u obtenida para Usted por la Compañía y que no está cubierta por las condiciones, restricciones o exclusiones de esta garantía limitada no constituye una renuncia a estas condiciones, restricciones y exclusiones, y la prestación de dicha asistencia no prolongará o restablecerá la garantía.

La Compañía no le reembolsará los gastos que Usted haya hecho por la reparación o el reemplazo de un Producto defectuoso, excepto si Usted ha previamente recibido el permiso escrito de la Compañía por ellos.

**Cómo obtener el servicio de garantía:** Para tener derecho al servicio de garantía, Usted debe a) informar la Compañía a la dirección o al número de teléfono escrito aquí abajo dentro de siete (7) días después de que haya descubierto el defecto cubierto, b) dar el número de serie y los datos de identificación de la pieza y c) describir la naturaleza de cualquier defecto del Producto o de la pieza. Cuando solicite el servicio de garantía, Usted tiene que presentar una prueba de la fecha de compra original. Si no puede proporcionar una copia de la versión escrita original de la garantía limitada, las condiciones de la versión más reciente de la garantía limitada de la Compañía para su producto se aplicarán.

### ESPECIFICACIONES DEL PRODUCTO

Todas las ilustraciones y las especificaciones en este catálogo están establecidas según la información que era la más reciente en el momento en cual fue producido. Broan-NuTone LLC y BEST® se reservan el derecho de cambiar, en cualquier momento y sin previo aviso, los precios, colores, materiales, productos, especificaciones y modelos y el lugar de fabricación, así como de parar la producción de un modelo o producto.

Best

Broan-NuTone, LLC: 926 W. State Street, Hartford, WI 53207 1 800 637-1453

Best®, 550, boul. Lemire, Drummondville (Québec), Canada (1 866 737-7770) www.bestrangehoods.com