



RESIDENTIAL HIGH DENSITY™ TOILET SEAT



MODEL #

COLOR #

1652CHSL/NISL

DESCRIPTION:

Closed front with cover, elongated, high density™ molded wood toilet seat. Features two large, no-slip luxury bumpers, Chrome or Brushed Nickel Whisper•Close® hinges with STA-TITE® Residential Fastening System™. Seat contains DuraGuard® Antimicrobial Built-In Seat Protection™.

SPECIFICATIONS:

| | |
|-------------------|---|
| Size: | Elongated |
| Material: | High Density™ Molded Wood |
| Style: | Closed Front with Cover |
| Bumpers: | Two |
| Hinges: | Chrome or Brushed Nickel Whisper•Close® |
| Fastening System: | STA-TITE® Residential Fastening System™ |

FEATURES:

Whisper•Close®

STA-TITE® Residential Fastening System™

DuraGuard® Antimicrobial Built-In Seat Protection™



METAL WHISPER•CLOSE®
HINGES



WHISPER•CLOSE®
FEATURE

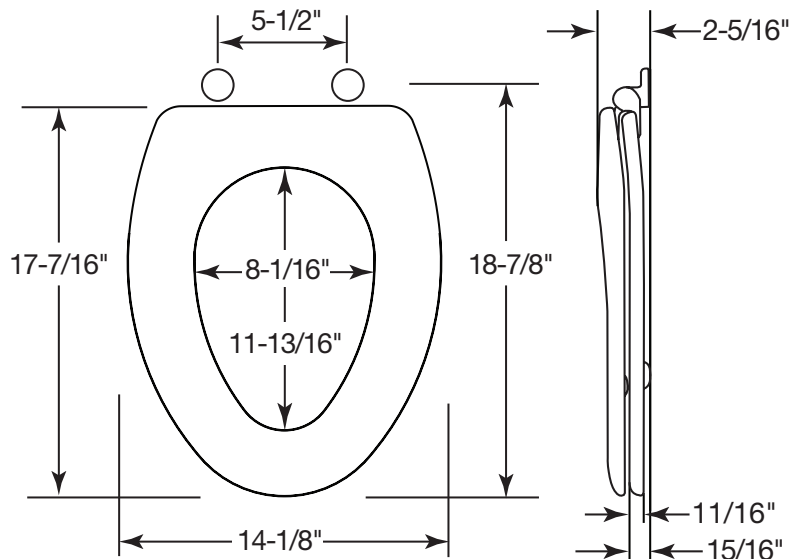


NO-SLIP LUXURY BUMPERS



STA-TITE® RESIDENTIAL
FASTENING SYSTEM™

DIMENSIONS:



Proudly Made in the USA

Bemis Manufacturing Co., Sheboygan Falls, WI 53085
www.BemisSeats.com

Phone: 920-467-4621 | 800-558-7651 Fax: 920-467-8573