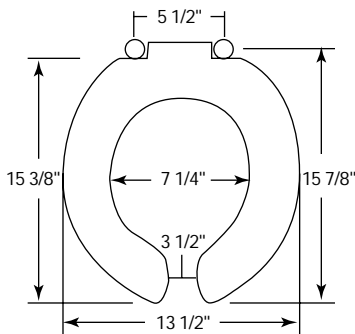




COMMERCIAL PLASTIC SEATS

# BB955C

Seats shall be No. BB955C as manufactured by Bemis Manufacturing Co. Seats shall be injection molded of solid plastic and open front less cover to fit baby bowls. Seats shall feature large molded-in bumpers. External check hinges to feature 300 Series stainless steel posts that stop seat 11 degrees beyond vertical. Uses 300 Series stainless steel hardware. Color to be white.



EXTERNAL CHECK HINGES WITH 300 SERIES STAINLESS STEEL POST



EXTERNAL CHECK HINGE

Ring thickness is 13/16"  
Ring thickness including the bumper is 1-1/4"