



# HEAVY-DUTY LIFT FOR TOILET SEAT

MODEL #

COLOR #

**4LE**

## DESCRIPTION :

Elongated, heavy-duty, hollow core plastic lift for toilet seats (purchased separately). Provides 4" of additional height above rim once seat is installed. Features 300 Series stainless steel offset mounting bracket and hardware. Bracket allows for both lift and seat to be raised to a vertical position for cleaning. Lift contains DuraGuard® Antimicrobial\* Built-In Seat Protection™.

\* DuraGuard® Antimicrobial does not protect users against bacteria, viruses, or other disease organisms. Always clean and wash this product thoroughly before and after each use.

## SPECIFICATIONS :

Size:	Elongated
Material:	Plastic
Style:	Lift/Riser
Bumpers:	Four
Hinges:	Non-Corrosive 300 Series Stainless Steel Mounting Bracket
Fastening System:	Non-Corrosive 300 Series Stainless Steel Hardware

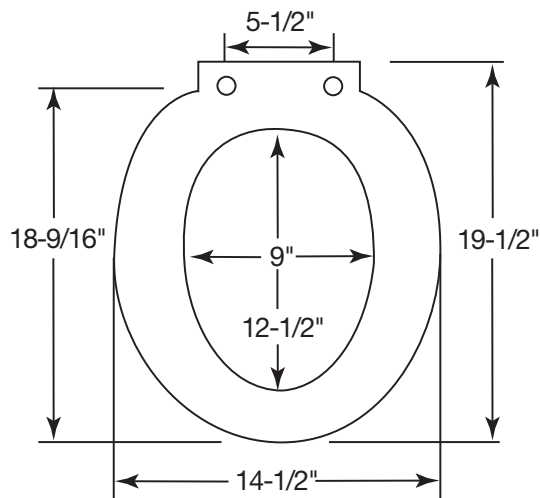
## FEATURES :

**DuraGuard® Antimicrobial Built-In Seat Protection™**

**Non-Corrosive 300 Series Stainless Steel Mounting Bracket and Hardware**

**Provides 4" of Additional Height above Rim (When Seat Installed)**

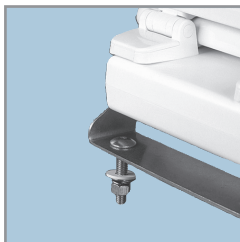
## DIMENSIONS :



Thickness including bumper is 3"



PROVIDES 4" OF  
ADDITIONAL HEIGHT WHEN  
SEAT IS INSTALLED



NON-CORROSIVE 300  
SERIES MOUNTING  
BRACKET AND HARDWARE

Proudly Made in the USA

Bemis Manufacturing Co., Sheboygan Falls, WI 53085  
www.ToiletSeats.com

Phone: 800-558-7651 Fax: 800-292-3647