

Tools Required (not included): Flathead screwdriver, Phillips screwdriver, Electrical tape, Safety goggles, Ladder.

Bulb Recommended: (1) 60W Type-S medium base vintage-style bulb, Alternate (1) LED bulb.

Estimated Assembly Time: 20 - 30 minutes

Preparation:

- Identify and inspect all parts before beginning installation
- Check package contents list and diagrams below to be sure all parts are included.
- If any parts are missing or damaged, do not attempt to assemble, install or operate the fixture.

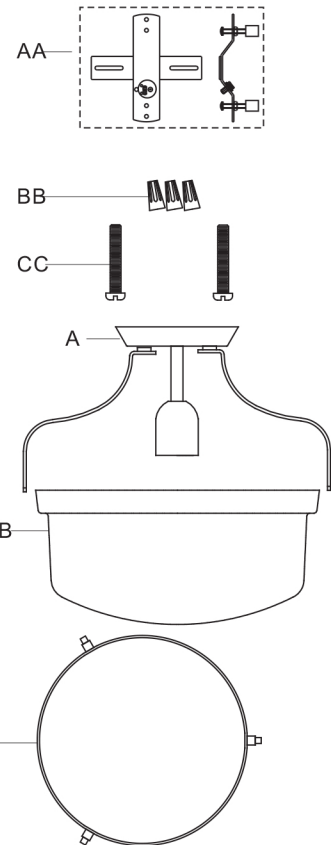


Warnings And Cautions

- Turn off electricity at circuit breaker or main fuse box before installation. Consult a licensed electrician if in doubt.
- These instructions are provided for your safety. It is very important you read them completely before installing fixture. We strongly recommend that a licensed, professional electrician perform the installation.
- Disconnect fixture from power source before replacing bulbs.
 - Make sure bulbs are given sufficient time to cool before removal.
 - Do not subject glass parts to any shock while in operation or shattering may result.

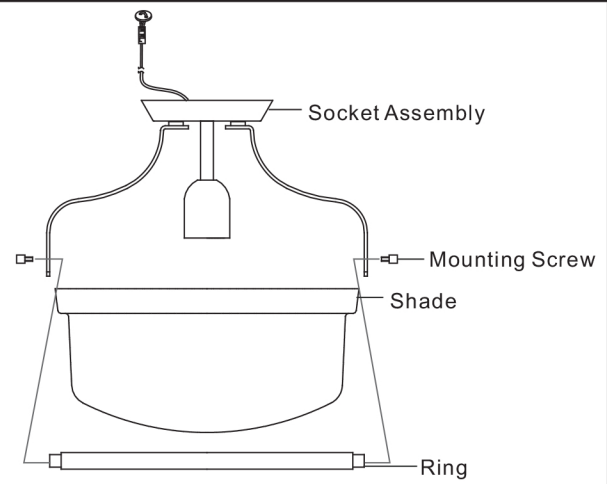
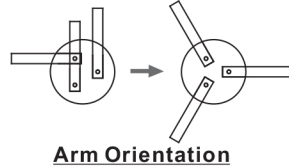
Package Contents

PART	DESCRIPTION	QUANTITY	Stock Part#
AA	Crossbar Assembly	1 pc	914168KIT
BB	Wire Connector	3 pcs	
CC	Outlet Box Screw	2 pcs	
A	Socket Assembly	1 pc	N/A
B	Shade	1 pc	G4018SH
C	Ring	1 pc	N/A



STEP 1:

- Unfold support arms of the fixture assembly to proper locations. (Refer to Arm Orientation)
- Remove Mounting Screw from the ring.
- Place the ring over the edge of the shade.
- Confirm that the holes on the shade align with the holes on the ring. Pass mounting screws through hole of the arm and thread into the ring.
- Hand-tighten until snug.

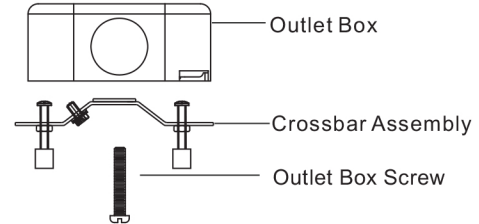


STEP 2:

- Secure the crossbar to the outlet box (not included) with outlet box screws.
- Tighten until snug.

Note:

The preassembled mounting screws on the crossbar should protrude outward.

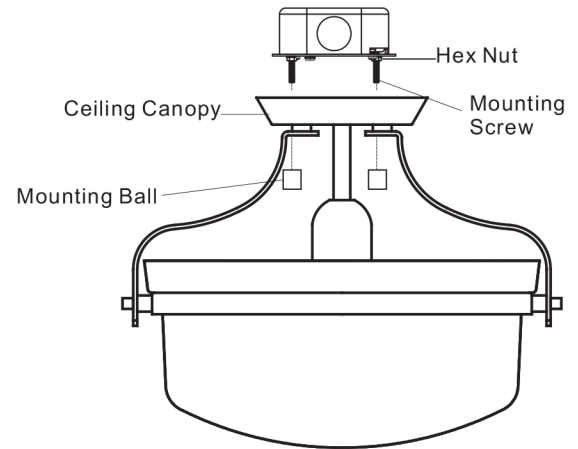


STEP 3:

- Remove mounting balls from the crossbar assembly.
- Fit the ceiling canopy to the crossbar assembly and secure with mounting balls.

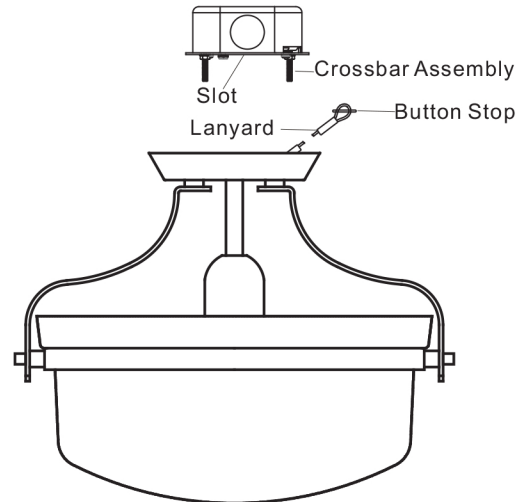
Note: The ceiling canopy should be snug against the ceiling and the mounting balls.

- If not, adjust the length of the mounting screws on the crossbar assembly by unscrewing the preassembled hex nuts.
- Then, screw the mounting screws in or out of the crossbar until the desired length is achieved.
- Once the ceiling canopy is secure, remove the mounting balls and ceiling canopy and proceed to Step 4.



STEP 4:

- The lanyard is provided as a means to support the fixture from the junction box while connecting the electrical wires. This enables the fixture to hang from the junction box and your hands are free to make the wire connections.
- Turn the button stop so it may be inserted into the crossbar slot. Make sure the button stop is completely inside the crossbar.
- Slowly release the fixture to make sure it is supported by the button stop.
- Proceed to Step 5. Once wiring is complete, the lanyard will push into the junction box when the Ceiling Canopy is Attached to the ceiling.

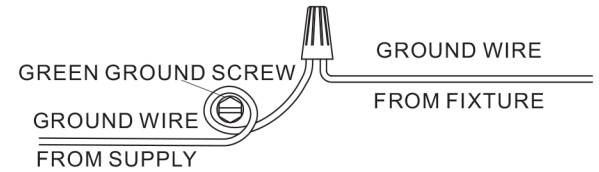


STEP 4:

* Use Wire Connectors (supplied) to connect the wires.

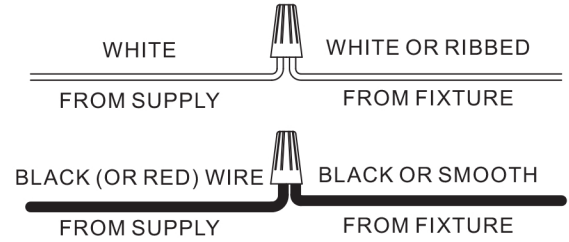
a) Ground Wire:

1. Wrap supply **ground wire** around **green ground screw** on mounting bracket, no less than 2 in. from the end of the wire. Tighten **ground screw**.
2. Connect fixture green **ground wire** to **supply ground wire** with wire connector.



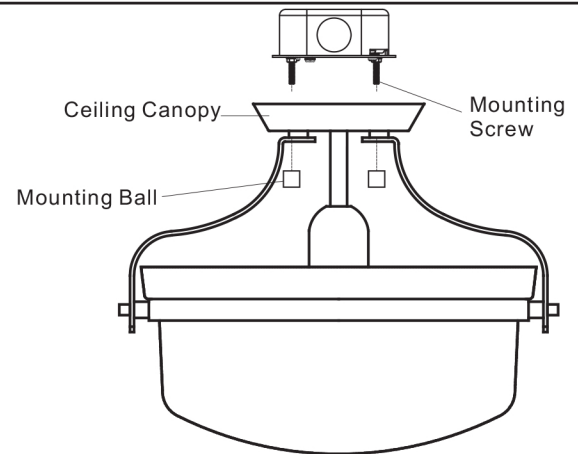
b) Supply Wire:

1. Connect the **supply white wire** to the **white fixture supply wire** with wire connector.
2. Connect the **supply black (or red) wire** to the **black fixture supply wire** with wire connector.
3. Wrap each connection with approved electrical tape and carefully stuff all of the connected wires into the outlet box.



STEP 5:

- a. Re-attach the ceiling canopy of the fixture body to the crossbar assembly.
- b. Secure with the previously removed mounting balls.



STEP 6:

- a. Install correct bulbs referring to fixture markings and/or labels for maximum wattage.

Your installation is completed now. Restore electricity. Retain this sheet for future reference.

CARE AND MAINTENANCE

Wipe clean using soft, dry cloth or static duster. Always avoid using harsh chemicals and abrasives to clean fixture as they may damage the finish.

TROUBLESHOOTING

PROBLEM	POSSIBLE CAUSE	CORRECTIVE ACTION
Bulbs will not light.	<ol style="list-style-type: none">1. Bulb is burned out.2. Power is off.3. Faulty wire connection.4. Faulty switch.	<ol style="list-style-type: none">1. Replace light bulb.2. Make sure power supply is on.3. Check wiring.4. Test or replace the switch.
Fuse blows or the circuit breaker trips when light is turned on.	Crossed wires or power wire is grounding out.	Check wire connection.

Printed in China