

## SAFETY INFORMATION

Please read and understand this entire manual before attempting to assemble, install or operate the product.

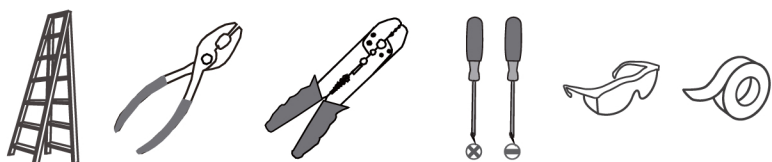
### WARNING

- RISK OF ELECTRIC SHOCK - Before beginning installation, turn off electricity at the circuit breaker box or the main fuse box.
- RISK OF FIRE - Use bulbs specified by the markings and/or labels on the fixture.

### CAUTION

- For your safety, read instructions completely before beginning installation.
- If in doubt about electrical installation, consult a licensed electrician.
- Turn off electricity to fixture before replacing the bulb(s).

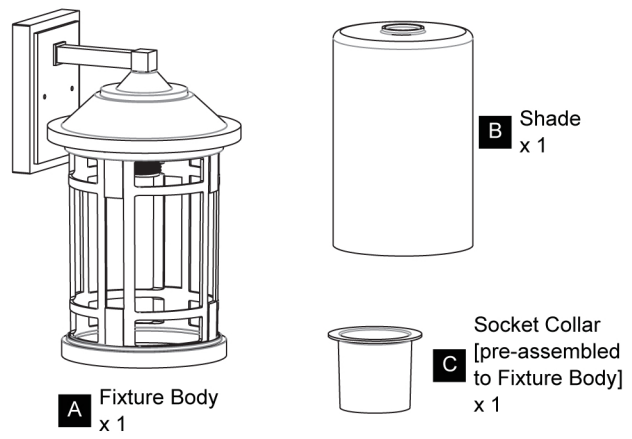
### TOOLS REQUIRED



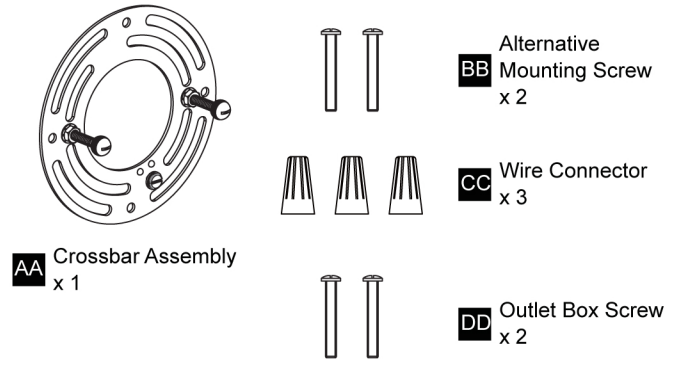
## CARE AND MAINTENANCE

- Wipe clean using soft, dry cloth or static duster. Always avoid using harsh chemicals and abrasives to clean fixture as they may damage the finish.

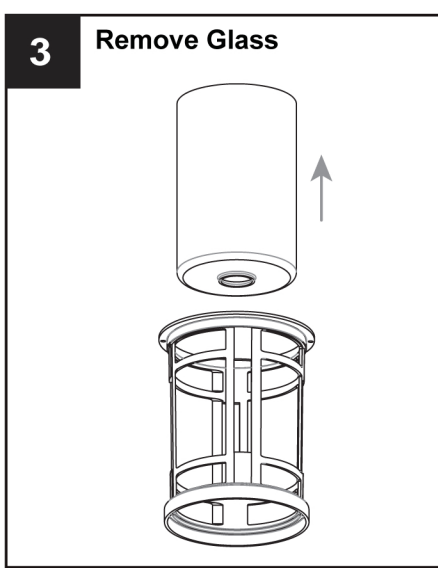
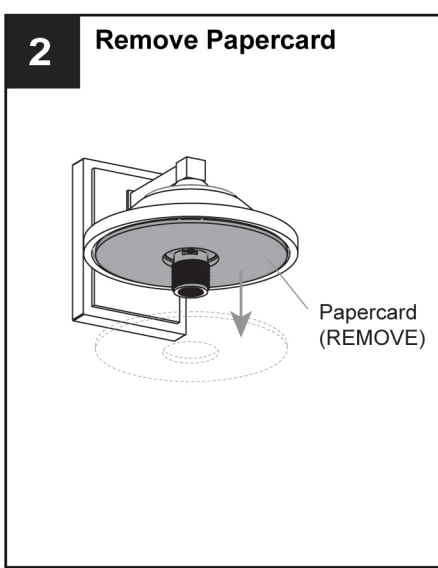
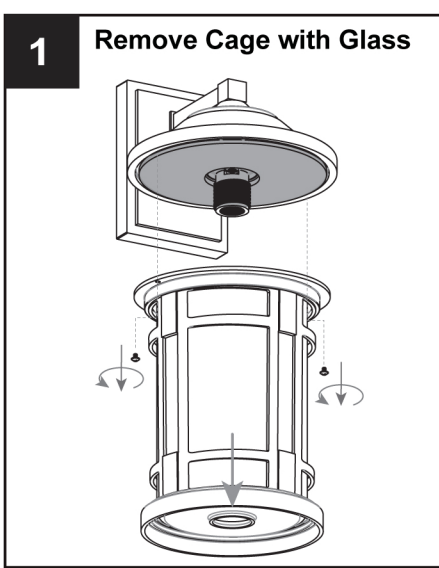
## PACKAGE CONTENTS



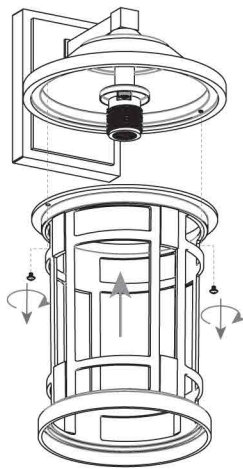
## MOUNTING HARDWARE



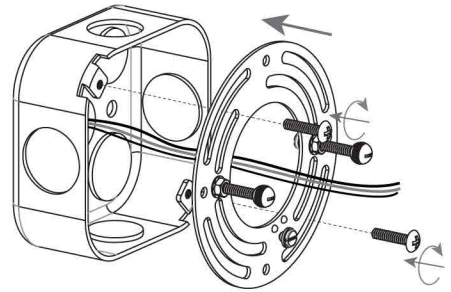
## INSTALLATION



**4 Install Cage**



**5 Install Crossbar Assembly**

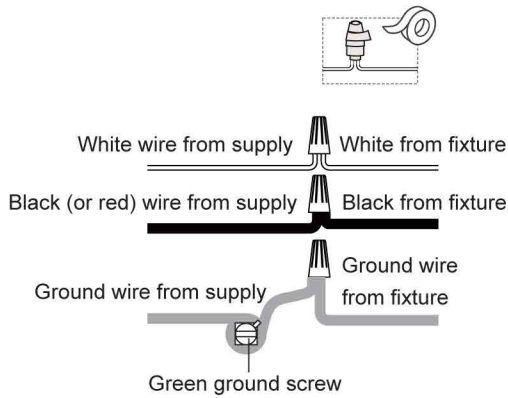


(2) Alternative Screws

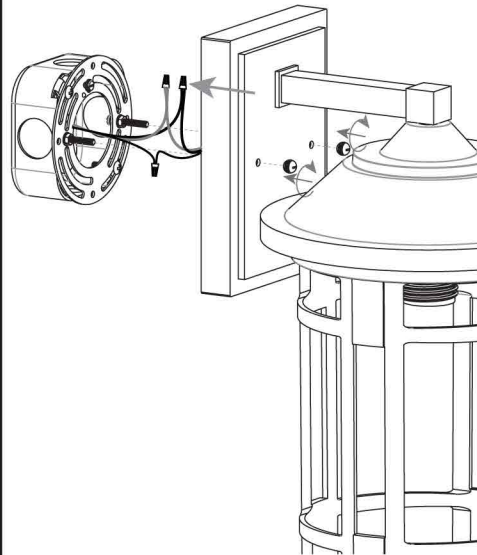


\* Alternative screws are provided to replace pre-assembled mounting screws if necessary.

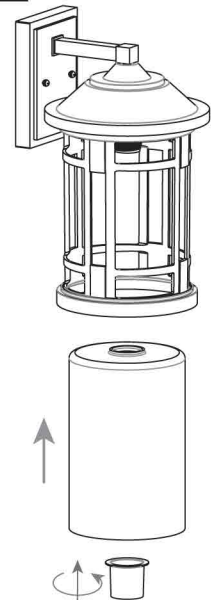
**6 Wiring**



**7 Install Fixture Body**



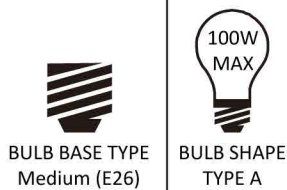
**8 Install Shade**



**9 Install Bulb**

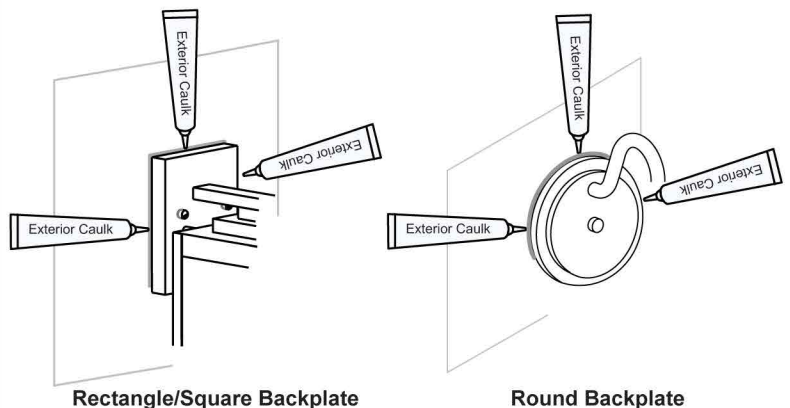
Install one correct bulb referring to fixture markings and/or labels for maximum wattage.

Recommended Bulb type (not included):



**10 Apply Caulking** (Backplate shape is varies depends on items purchased)

**\*Note:** Do NOT caulk the bottom of the backplate to allow moisture to escape.



Your installation is now complete! Restore electricity and save this sheet for future reference.