

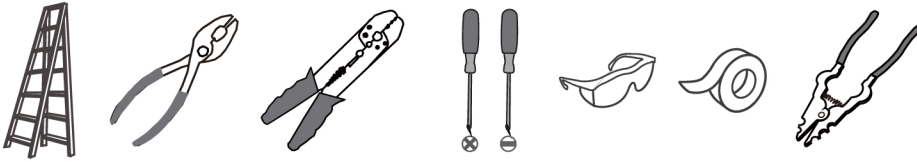
SAFETY INFORMATION

Please read and understand this entire manual before attempting to assemble, install or operate the product.

- WARNING**
- RISK OF ELECTRIC SHOCK - Before beginning installation, turn off electricity at the circuit breaker box or the main fuse box.
 - RISK OF FIRE - Use bulbs specified by the markings and/or labels on the fixture.

- CAUTION**
- For your safety, read instructions completely before beginning installation.
 - If in doubt about electrical installation, consult a licensed electrician.
 - Turn off electricity to fixture before replacing the bulb(s).

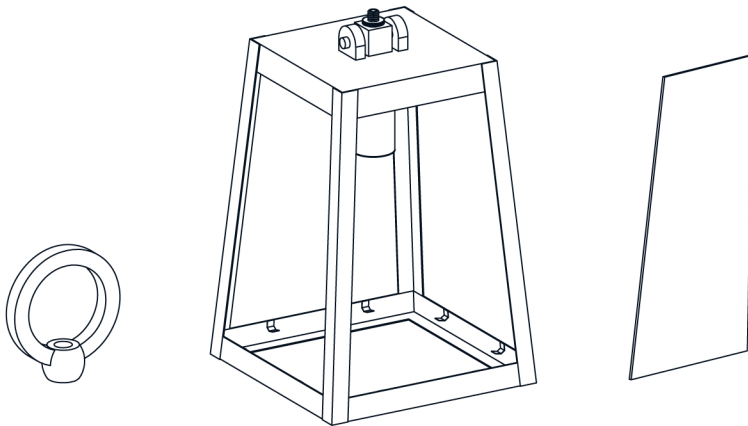
TOOLS REQUIRED



CARE AND MAINTENANCE

- Wipe clean using soft, dry cloth or static duster. Always avoid using harsh chemicals and abrasives to clean fixture as they may damage the finish.

PACKAGE CONTENTS

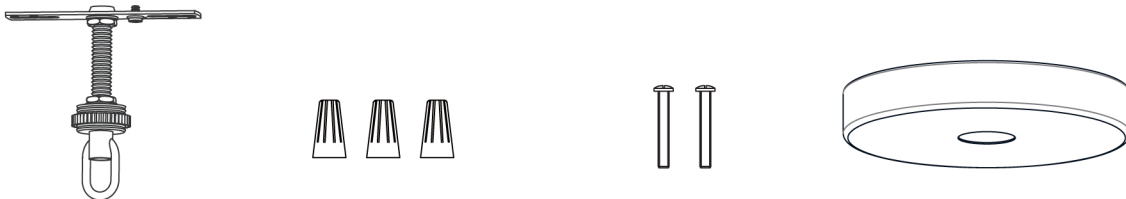


A Fixture Loop
x 1

B Fixture Body
x 1

C Glass Panel
x 4

MOUNTING HARDWARE

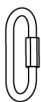


AA Crossbar Assembly
x 1

BB Wire Connector
x 3

CC Outlet Box Screw
x 2

DD Ceiling Canopy
x 1

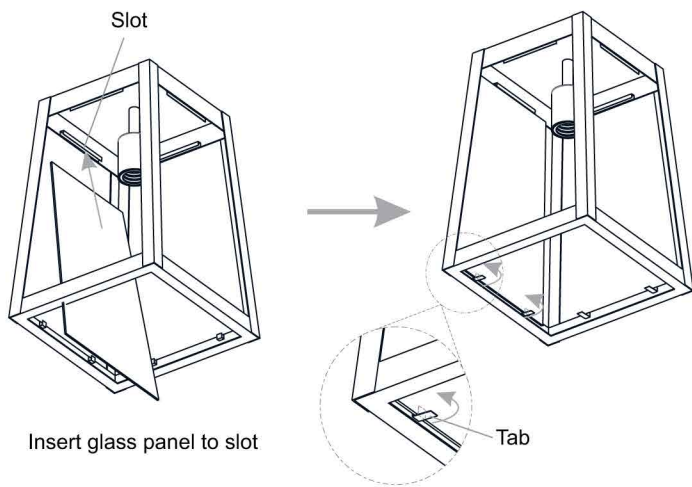


EE Quick Link
x 2

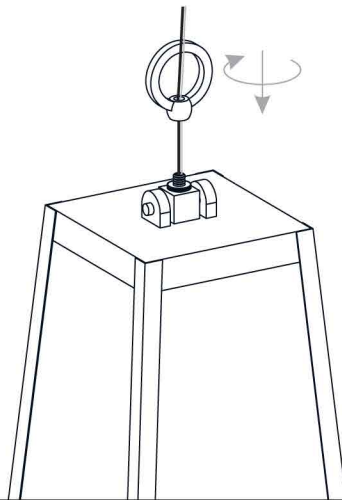


FF Fixture Chain
x 1

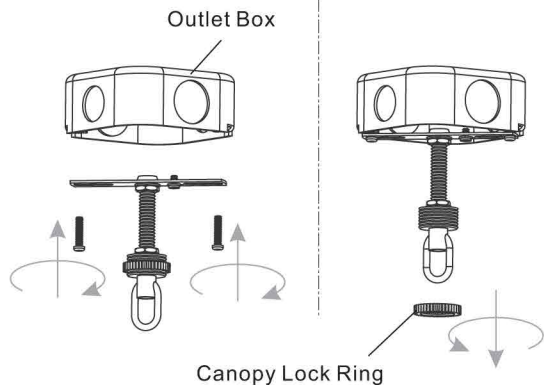
1 Install Glass Panels



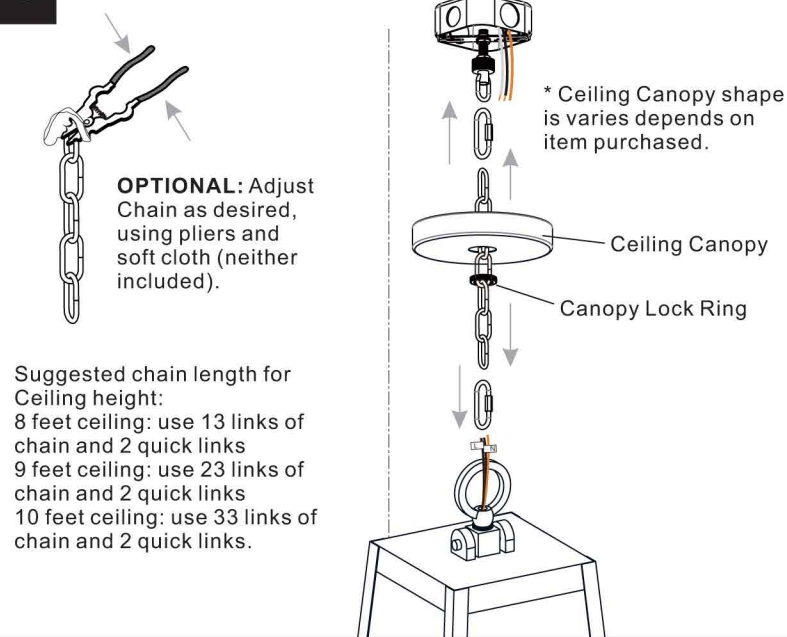
2 Install Fixture Loop



3 Install Crossbar Assembly

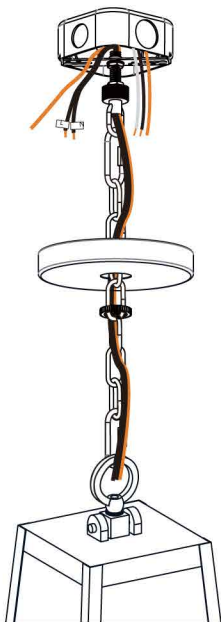


4 Install Fixture Chain

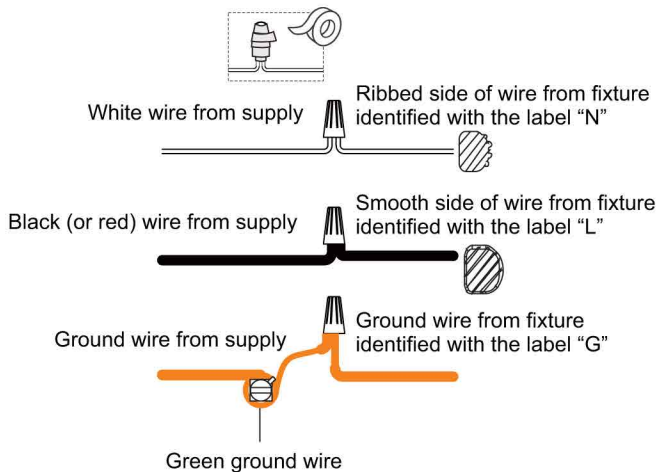


5 Pull Supply Wires

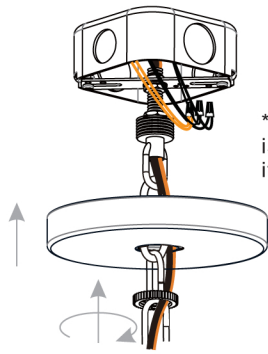
Pull the supply wires with ground wire through the chain alternate links.



6 Wiring

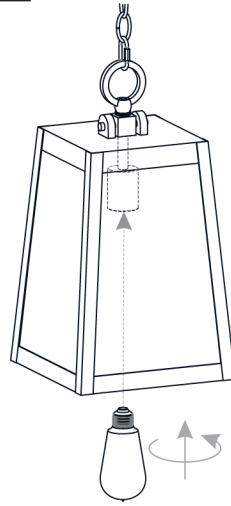


7 Install Ceiling Canopy



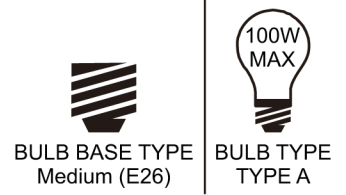
* Ceiling Canopy shape is varies depends on item purchased.

8 Install Bulb



Install the correct bulb referring to fixture markings and/or labels for maximum wattage.

Recommended Bulb Type (not included):



Your installation is now complete! Restore electricity and save this sheet for future reference.