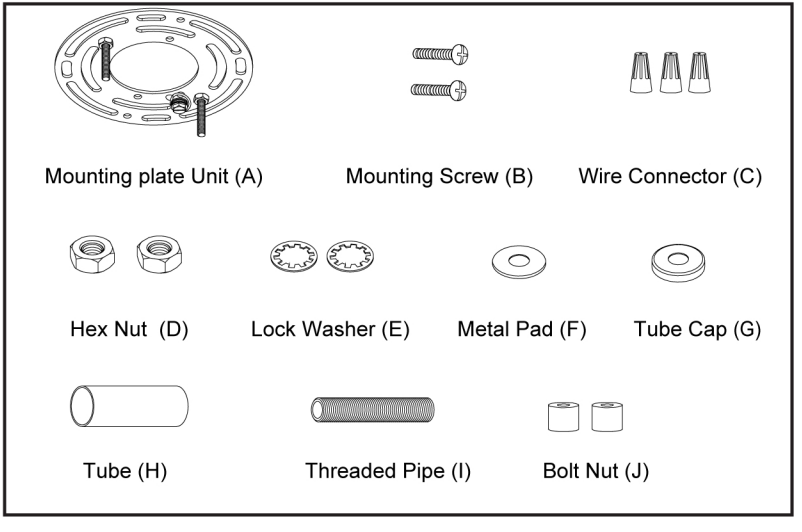


ASSEMBLY AND INSTALLATION INSTRUCTIONS

WARNING: TO AVOID RISK OF ELECTRICAL SHOCK, BE SURE TO SHUT OFF POWER WHILE INSTALLING OR SERVICING THIS FIXTURE.

NOTE: 1. Before installing, consult local electrical codes for wiring and grounding requirements.
2. READ AND SAVE THIS INSTRUCTION.

Hardware Package (included):

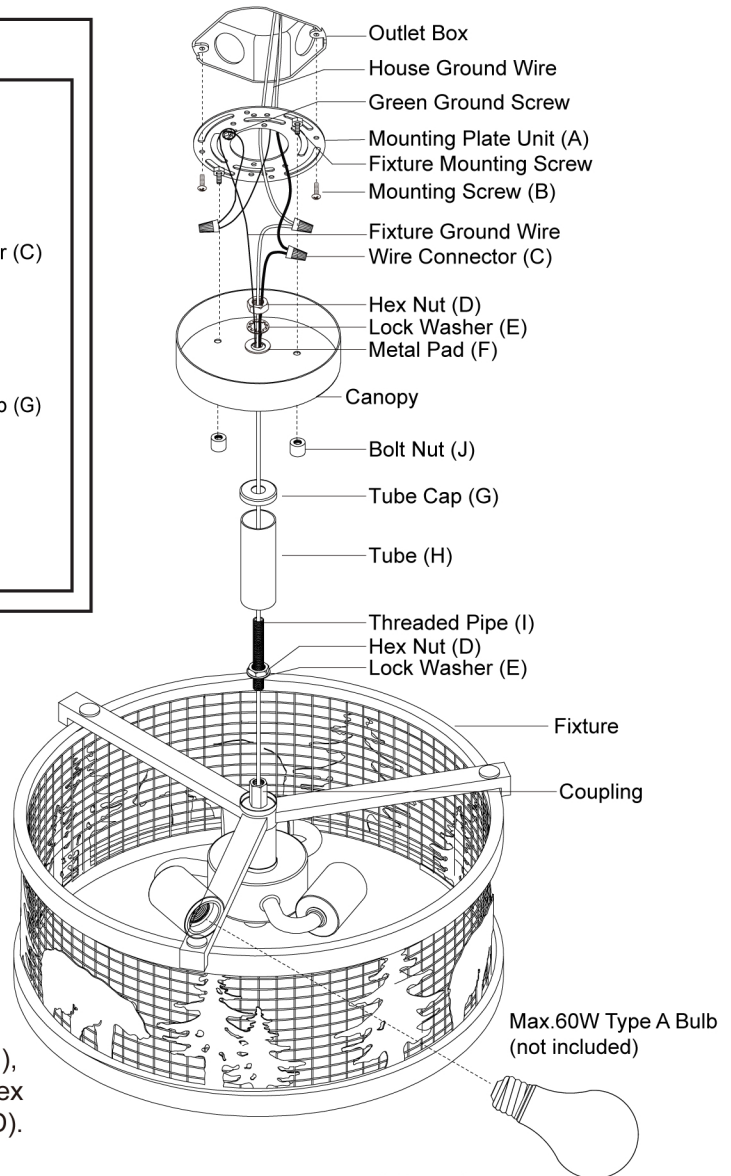


Installation Steps

Turn off the power at fuse or circuit box

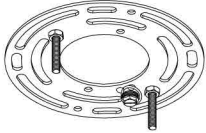









1. Attach the mounting plate unit (A) to the outlet box by using two mounting screws (B).
2. Thread the fixture wires from the fixture through the threaded pipe (I), then secure the threaded pipe (I) onto the fixture using the lock washer (E) and hex nut (D). Thread the fixture wires from the fixture through the tube (H), tube cap (G), canopy, metal pad (F), lock washer (E) and hex nut (D) in sequence, then secure them using the hex nut (D).
3. Pull out the source wires from the outlet box. Make wire connections using wire connectors (C) as follows:
 - Connect the hot wire (black insulation) from the power source to the black wire from the fixture.
 - Connect the neutral wire (white insulation) from the power source to the white wire from the fixture.
 - Attach the fixture ground wire (bare wire) to the mounting plate with the green ground screw, or connect to the source ground wire if available.
 Carefully put the wires back into the outlet box.
4. Attach the canopy to the mounting strap unit (A) and secure it with two bolt nuts (J).
5. Install 3 x 60W Max. medium base bulbs (not included).
Check relamping label at socket area or packaging for maximum wattage allowed.

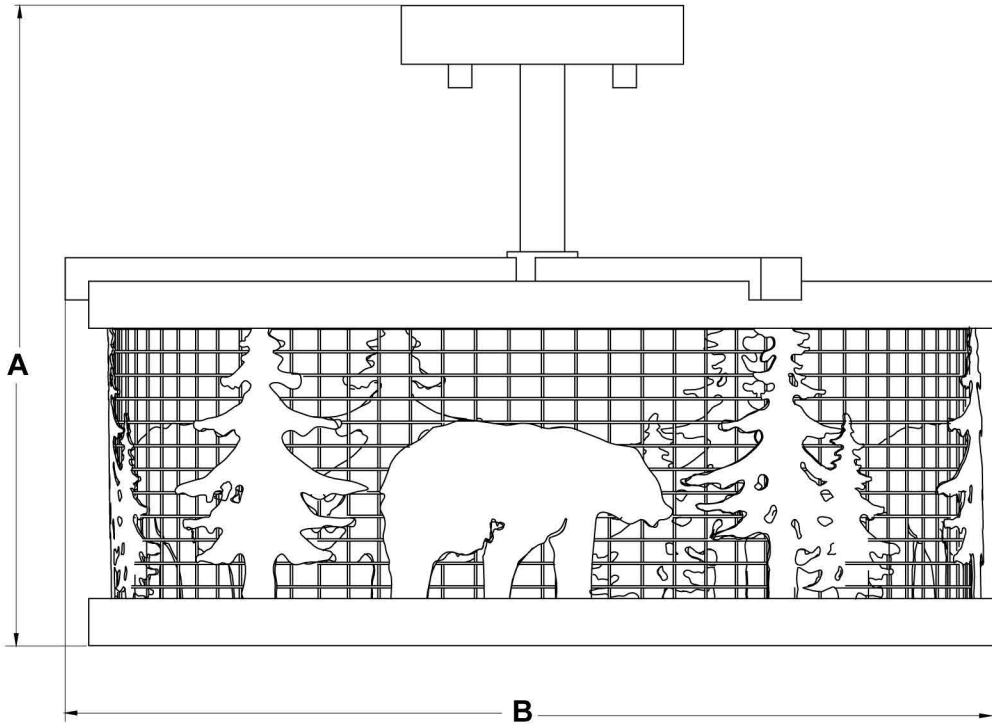
Turn on the power at fuse or circuit box



The following parts are available for re-order if damaged or missing.

Spare Parts List:

 Mounting plate Unit (A)	 Mounting Screw (B)	 Wire Connector (C)	 Bolt Nut (J)	→ Mounting Hardware 6476MM (1SET)		
 Hex Nut (D)	 Lock Washer (E)	 Metal Pad (F)	 Tube Cap (G)		 Tube (H)	 Threaded Pipe (I)



A: 10-5/8"

B: 16"