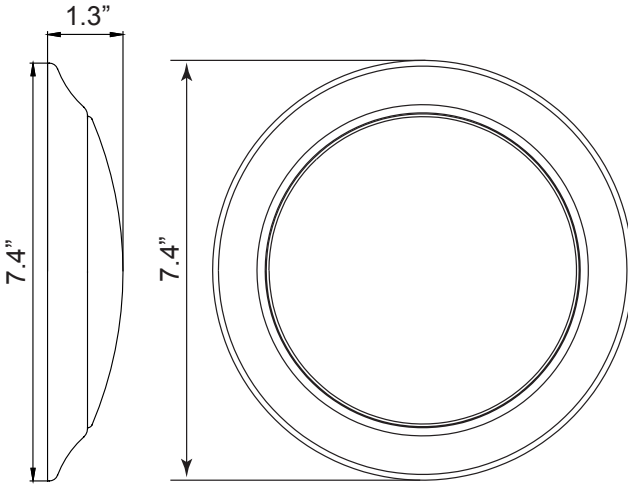


CORAMDEO LIGHTING

LED INDOOR LIGHTING

Models: C003-830LED-WH, C003-840LED-WH,
C003-850LED-WH

Dimensions

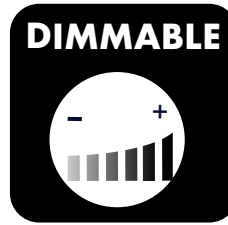
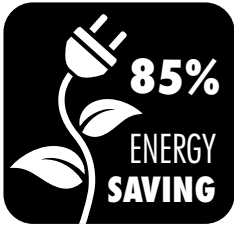


Specifications

Power Specs	
Input Voltage	120VAC
Frequency	60Hz
Input Current	<108 mA
Power	11.4 W
Efficiency	>85
Power Factor	≤ .9

Light Specs	
Color Temp CCT	3K, 4K, 5K
Color Temp	3K Warm White
	4K Bright White
	5K Daylight
Lumens (lm)	800 lm
CRI (Ra)	>80
Lumens per Watt	70
Beam Angle	120 °
Life Span	50,000 hrs

Functions



Dimming typically ranges from 10% to 100% of brightness. Compatible with most modern electronic dimmers but may not be compatible with every electronic dimmer. Please see SolanaLighting.com for specific dimmer compatibility listings.

Certifications



CORAMDEO LIGHTING

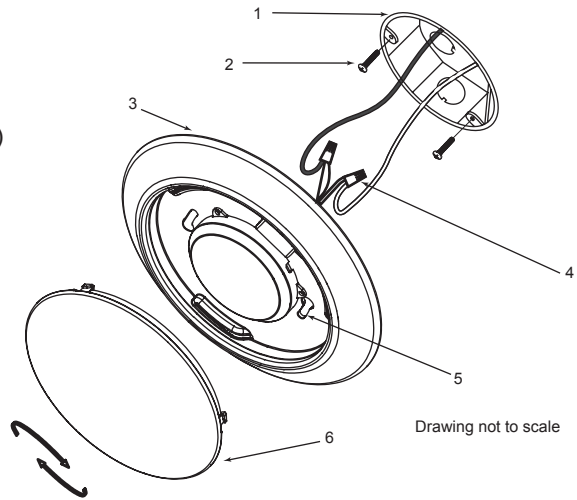
12881 Wetmore Rd.
San Antonio, TX 78247
www.coramdeolighting.com

This device complies with part 15 of the FCC Rules. Operation is subject to the following two conditions: (1) This device may not cause harmful interference, and (2) this device must accept any interference received, including interference that may cause undesired operation. Note: This equipment has been tested and found to comply with the limits for a Class B digital device, pursuant to part 15 of the FCC Rules. These limits are designed to provide reasonable protection against harmful interference in a residential installation. This equipment generates, uses and can radiate radio frequency energy and, if not installed and used in accordance with the instructions, may cause harmful interference to radio communications. However, there is no guarantee that interference will not occur in a particular installation. If this equipment does cause harmful interference to radio or television reception, which can be determined by turning the equipment off and on, the user is encouraged to try to correct the interference by one or more of the following measures: Reorient or relocate the receiving antenna; Increase the separation between the equipment and receiver; Connect the equipment into an outlet on a circuit different from that to which the receiver is connected. Consult the dealer or an experienced radio/TV technician for help.

CORAMDEO LIGHTING

LED INDOOR LIGHTING

1. Ceiling Junction Box (not included)
2. Fixture Mounting Screws - 2 pcs
3. Fixture - 1 pc
4. Wire Nut - 2 pcs
5. Fixture Keyhole Slot
6. Acrylic Cover



Installation

1. **TURN POWER OFF.** Turn power off at circuit breaker or remove the correct fuse.
2. **INSTALL FIXTURE SCREWS.** Thread the Fixture Mount Screws (2) into the Junction Box (1) about 1/2".
3. **CONNECT FIXTURE.** Hold the Fixture (3) close to the Junction Box (1). Using Wire Nuts (4) provided, connect white fixture wire(s) to neutral supply wire. Connect black fixture wire(s) to power supply wire.
4. **ATTACH FIXTURE.** Attach Fixture (3) to Junction Box (1) by inserting the two Fixture Mount Screws (2) through the wide portion of the Fixture Keyhole Slots (5), then twisting fixture into keyholes. Tighten Fixture Mounting Screws for a snug fit. **DO NOT OVER TIGHTEN.** Thread Acrylic Cover (6) on to Fixture (3) with a clockwise motion.
5. **TURN POWER ON.** Turn power on at circuit breaker or replace fuse.

IMPORTANT SAFETY INFORMATION



This product may represent a possible shock or hazard if improperly installed or attached in any way. Product should be installed in accordance with the owners manual, current electrical codes and the National Electric Code (NEC).

RISK OF ELECTRIC SHOCK: TURN OFF THE MAIN POWER AT THE CIRCUIT BREAKER BEFORE INSTALLING

WARNING: RISK OF SHOCK - ALWAYS REMEMBER TO:

- A. Turn off power at fuse or circuit breaker BEFORE installing fixture.
 - B. **DOUBLE CHECK** all connections to make sure they are safe and tight.
 - C. Wear rubber soled shoes and work on a grounded ladder.
- If you are unsure about your wiring, consult a qualified electrician for installation of fixture.

WARNING: RISK OF CUTS

Some metal parts or edges may have sharp edges. Prevent injury by using gloves when handling.

ACCOUNT FOR SMALL PARTS and DESTROY PACKING MATERIAL that may be hazardous to children.