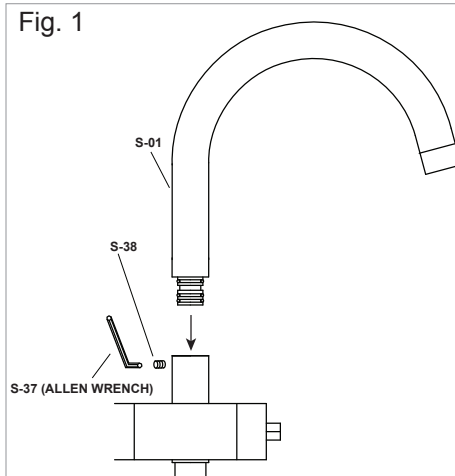
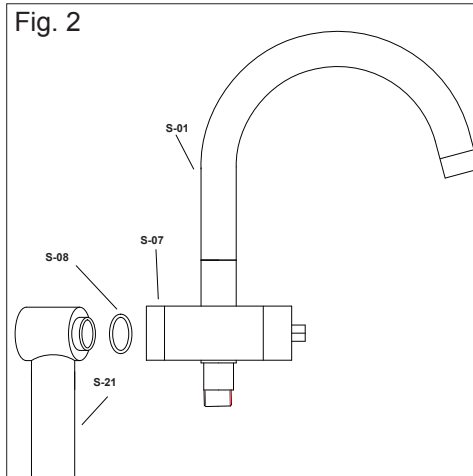


Faucet Installation

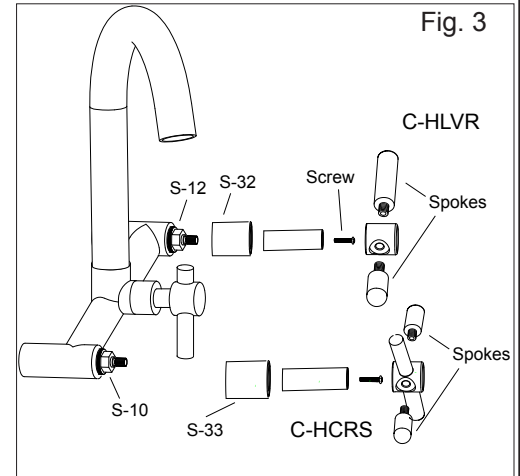
Model LT400 (Lever Handles) Model LT500 (Cross Handles)



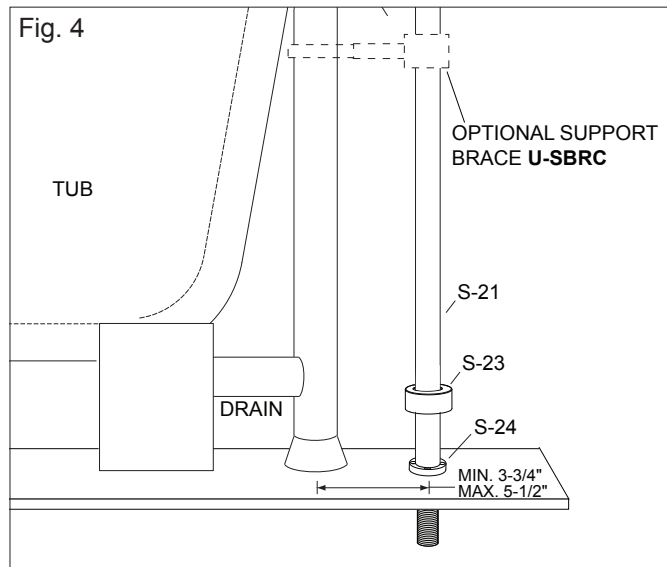
Step 1- Install spout S-01 into faucet body by pushing straight down. Align spout facing forward then tighten with allen screw S-38 (packaged separately with allen wrench S-37). Do Not Over Tighten.



Step 2- Attach hot and cold risers S-21 to union nuts S-07 on back of faucet body using one S-08 gasket on each riser.



Step 3- Screw handle hub S-32 OR S-33 onto hot/cold cartridges S-10 & S-12. Disassemble handle by unscrewing spokes and install onto cartridge. Secure with screw included. Reassemble handle.

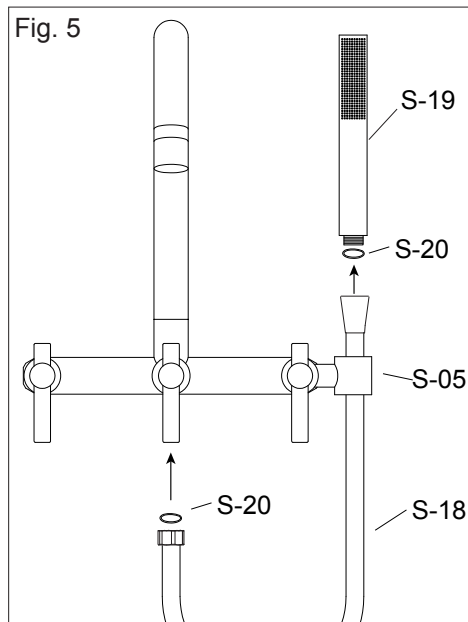


****NOTE:** If using optional support brace U-SBRC proceed to step 4a on page 2.

Step 4- Slide decorative escutcheons S-23 onto bottom of risers S-21 and push part way up. Screw floor flanges S-24 onto bottom of riser threads S-21.

Step 5- Drill two 1-1/8" holes in floor on 8" centers in desired location. Drop risers through holes and secure to floor using floor flanges S-24 and appropriate screws/bolts (not included).

Step 6- Slide decorative escutcheons S-23 down to floor to cover floor flanges.



Step 7- Attach small end of handshower hose S-18 with washer S-20 to outlet below diverter faucet spout.

Step 8- Attach large end of handshower S-18 to handshower S-19 with washer S-20 and place in holder S-05.

Step 9- Connect preferred 1/2" male pipe (supplied by installer) into female threaded riser S-21 from under flooring. Make hot/cold water connections. Turn on water and check all connections for leaks.

s c h ö n
brass works

For additional assistance or service call: **1 800 880-8164 USA**

Para servicio o ayuda adicional, llame al: **8 a.m. to 6 p.m. EST Monday-Sunday**



Faucet Installation

Model LT400 (Lever Handles) Model LT500 (Cross Handles)

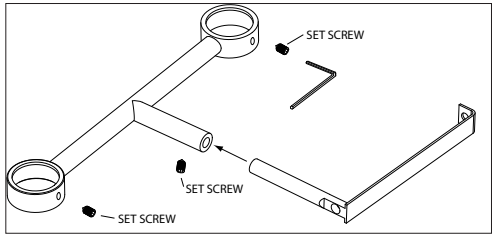


Fig. 1 bracket assembly

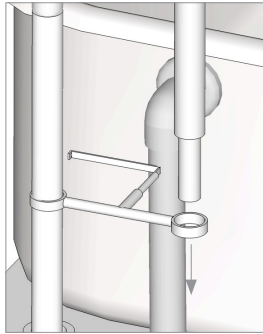


Fig. 2 & 3 slide bracket

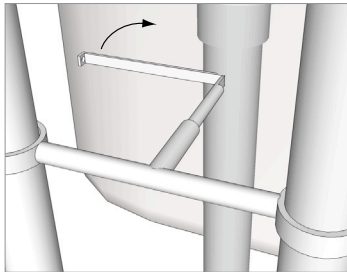
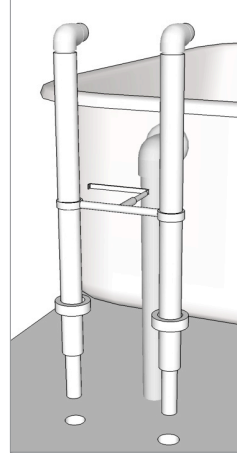


Fig. 4 bend strap

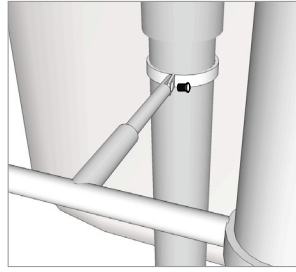
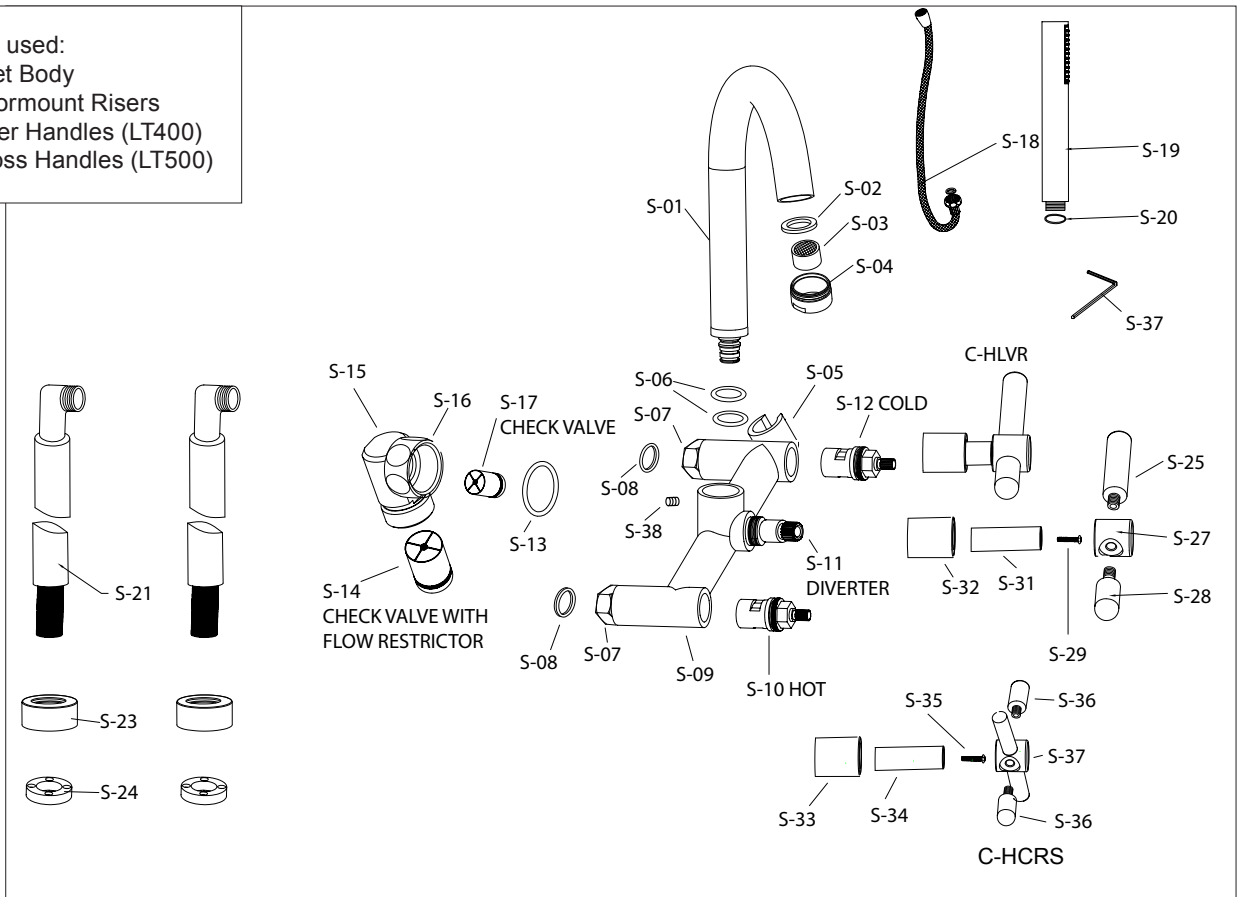


Fig. 5 secure strap

- 4a. Assemble bracket as shown in fig. 1.
- 4b. Slide support bracket onto risers.
- 4c. Bend metal strap around drain to create a clamp. Secure with screw provided. Recommended height is just below drain overflow.
- 4d. Proceed with step 4 of faucet installation.

Components used:
C-FB1 Faucet Body
C-FRSR Floormount Risers
C-HLVR Lever Handles (LT400)
C-HCRS Cross Handles (LT500)



s c h ö n
brass works

For additional assistance or service call: **1 800 880-8164 USA**
Para servicio o ayuda adicional, llame al: **8 a.m. to 6 p.m. EST Monday-Sunday**

