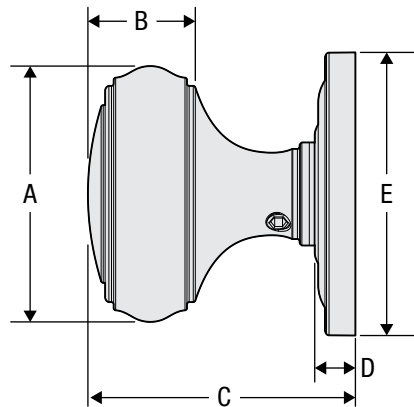


## Knob Dimensions

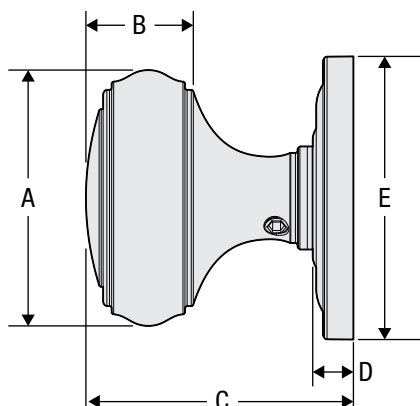


See page 4 for all Baldwin Estate rose specifications (D and E).

Knob	Dimension "A" (in.)	Dimension "B" (in.)	Dimension "C" (in.)
5000 Estate Knob	1.985	1	2.455
5001 Estate Knob	2.4	2.175	3.9
5005 Estate Knob	1.987	0.75	2.184
5009 Estate Knob	2.36	2.175	3.9
5011 Estate Knob	2.398	1.14	2.545
5013 Estate Knob	2.255	0.827	2.347
5015 Estate Knob	2.105	0.85	2.35
5020 Estate Knob	2.106	0.814	2.298
5023 Estate Knob	2.24	0.676	2.365
5024 Oval Knob	1.625 x 2.719	1.35	2.628
5025 Estate Knob	1.5 x 2.5	1.4	2.658
5030 Estate Knob	1.74	1	2.24
5031 Estate Knob	1.75 x 2.7	0.875	2.4
5041 Estate Knob	2.125	1.75	2.25
5045 Estate Knob	2.1	0.82	2.2
5050 Estate Knob	2.35		2.069
5055 Estate Knob	2.125	0.82	2.185
5057 Estate Knob	1.42 x 2.36	0.653	2.209
5060 Estate Knob	1.353 x 2.561	0.625	2.271
5063 Estate Knob	2.406	1.555	2.803
5064 Estate Knob	2.229	0.875	2.337
5065 Estate Knob	2.23	1.031	2.586
5066 Estate Knob	2.2	0.826	2.688
5067 Estate Knob	2.204	1.156	2.397
5068 Estate Knob	2.358	0.99	2.468

Continued...

## Knob Dimensions

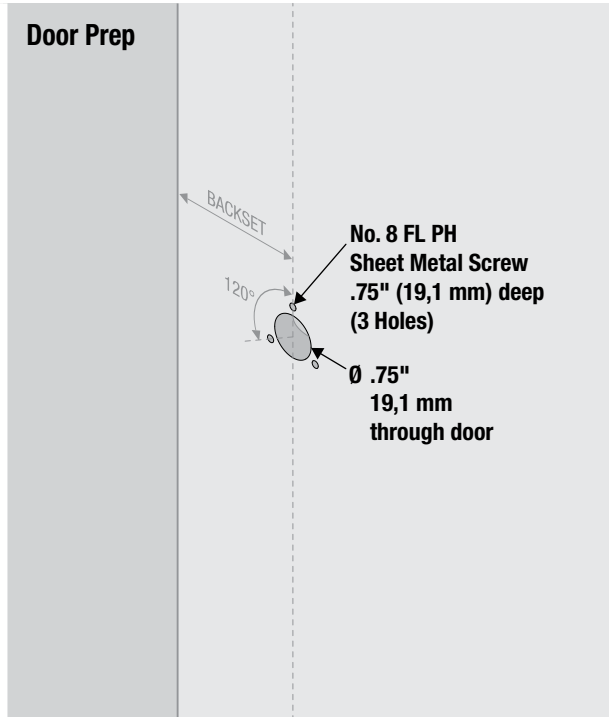
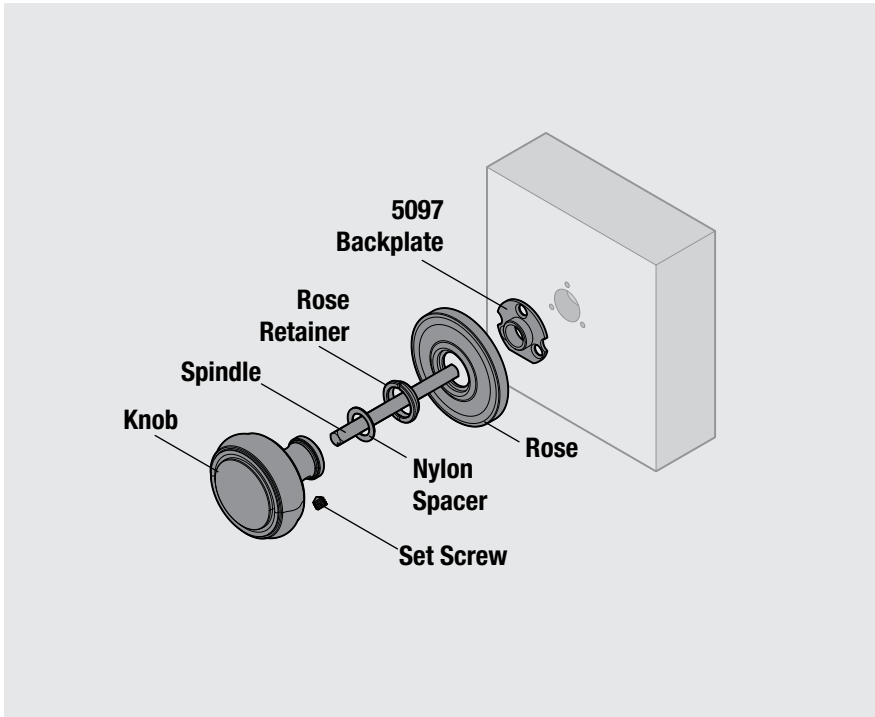


See page 4 for all Baldwin Estate rose specifications (D and E).

Knob	Dimension "A" (in.)	Dimension "B" (in.)	Dimension "C" (in.)
5069 Estate Knob	2.373	0.884	2.628
5073 Estate Knob	2.431	1	2.54
5077 Bethpage Knob	2.511	0.858	2.858
5080 Filmore Knob	2.19	1.573	2.821
K001 Estate Knob	2.5	0.825	2.313
K002 Estate Knob	2.5	0.9	2.488
K003 Estate Knob	2.5	1.18	2.448
K004 Estate Knob	2.5	0.825	2.4
K005 Estate Knob	2.5	1.02	2.548
K006 Estate Knob	2.48	0.865	2.388
5055S Estate Knob	2.145	0.82	2.185
5061S Estate Knob	2.145	2	2.965

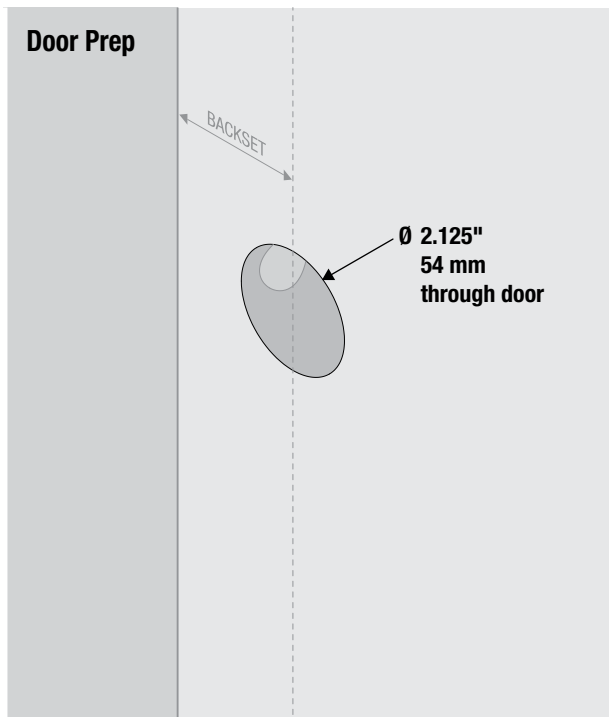
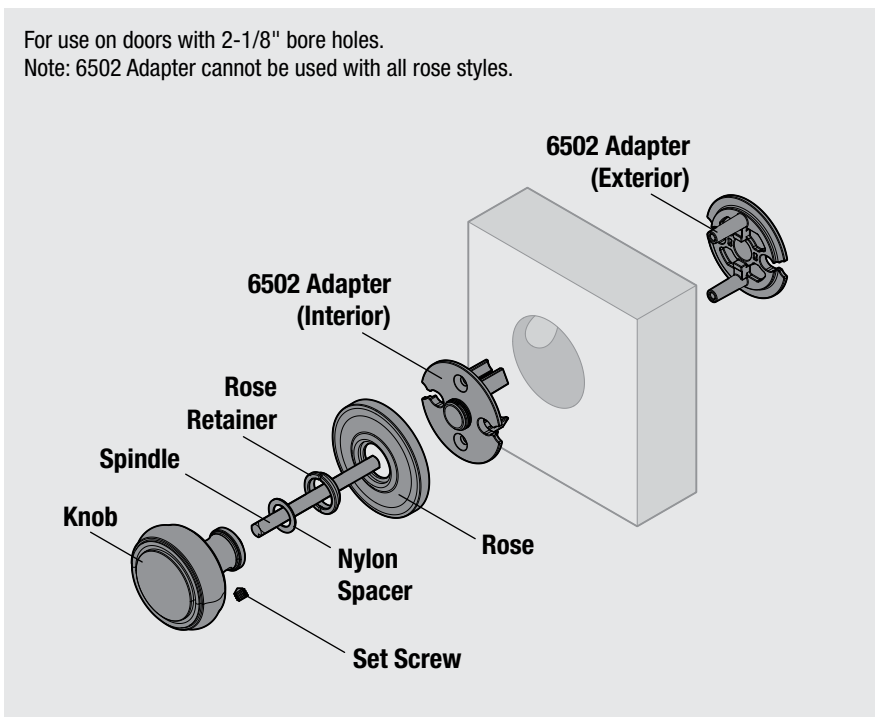
## Knob Mounting Options

### Surface Mounting with 5097 Backplate

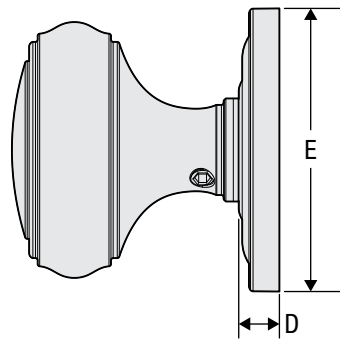


### Mounting with 6502 Adapter

For use on doors with 2-1/8" bore holes.  
Note: 6502 Adapter cannot be used with all rose styles.



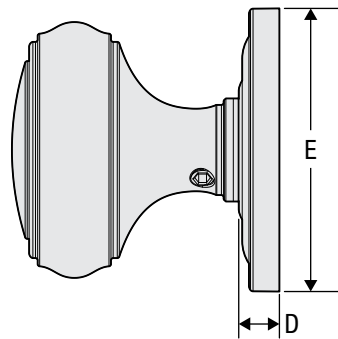
## Rose Specifications



Rose	Can be used with 6502 Adaptor	Privacy Option	Dimension "D" (in.)	Dimension "E" (in.)
5002	No	No	0.375	1.750
5017	No	No	0.375	2.250
5048/50148	Yes	Yes	0.375	2.625
5003	No	No	0.375	2.000
5004/5149	Yes	Yes	0.405	2.625
5006	No	No	0.375	1.750
5032/5139	No	Yes	0.375	2.125
5046/5146	Yes	Yes	0.375	2.625
5010/5151	No	Yes	0.375	2.000
5071/5123	Yes	Yes	0.375	2.625
5016	No	No	0.375	1.750
5021/5145	Yes	Yes	0.375	2.625
5019/5119	Yes	Yes	0.365	2.625
5062	No	No	0.375	1.750
5027	No	No	0.36	2.250
5053/5153	Yes	Yes	0.345	2.750
5028/5155	No	Yes	0.375	2.000
5075/5127	Yes	Yes	0.375	2.625
5035/5156	No	Yes	0.375	2.000
5076/5129	Yes	Yes	0.375	2.625
5038/5157	No	Yes	0.375	2.000
5078/5134	Yes	Yes	0.375	2.625
5042/5142	Yes	Yes	0.375	2.63 X 4.125 (W X H)
5058/5158	Yes	Yes	0.375	2.625 X 2.625 (W X H)

Continued...

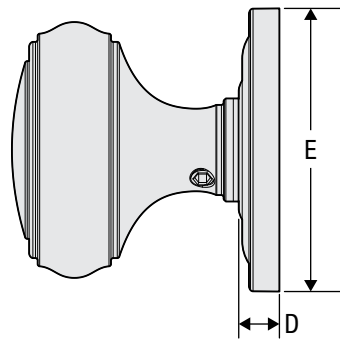
## Rose Specifications



Rose	Can be used with 6502 Adaptor	Privacy Option	Dimension "D" (in.)	Dimension "E" (in.)
5047/5147	Yes	Yes	0.375	2.625
5056/5160	No	Yes	0.375	2 X 2 (W X H)
5059/5159	Yes	Yes	0.375	2.93 X 4.17 (W X H)
R001	No	Yes	0.375	2.000
R002	Yes	Yes	0.375	2.625
R003	No	Yes	0.375	2.000
R004	Yes	Yes	0.375	2.625
R005	No	Yes	0.375	2.000
R006	Yes	Yes	0.375	2.625
R007	No	Yes	0.375	2.000
R008	Yes	Yes	0.375	2.625
R009	No	Yes	0.375	2.000
R010	Yes	Yes	0.375	2.625
R011	No	Yes	0.375	2.000
R012	Yes	Yes	0.375	2.625
R016	Yes	Yes	0.375	2.625
R017	Yes	Yes	0.375	2.625 X 2.625 (W X H)
R018	No	No	0.375	1.750
R025	Yes	Yes	0.475	3.075 X 3.70 (W X H)
R026	Yes	Yes	0.375	2.75 X 3.00 (W X H)
R027	Yes	Yes	0.365	2.562 X 3.262 (W X H)
R028	Yes	Yes	0.375	2.972 X 5.669 (W X H)
R029	Yes	Yes	0.375	2.972 X 10.156 (W X H)
R030	Yes	Yes	0.375	2.812 X 3.950 (W X H)

Continued...

## Rose Specifications



Rose	Can be used with 6502 Adaptor	Privacy Option	Dimension "D" (in.)	Dimension "E" (in.)
R031	Yes	Yes	0.375	2.812 X 5.900 (W X H)
R032	Yes	Yes	0.375	2.813 X 10.53 (W X H)
R033	Yes	Yes	0.375	2.75 X 3.225 (W X H)
R034	Yes	Yes	0.375	2.75 X 5.25 (W X H)
R035	Yes	Yes	0.375	2.75 X 9.400 (W X H)
R036	Yes	Yes	0.375	2.75 X 3.225 (W X H)
R037	Yes	Yes	0.375	2.75 X 5.25 (W X H)
R038	Yes	Yes	0.375	2.75 X 9.400 (W X H)
R039	Yes	Yes	0.365	2.626 X 3.800 (W X H)
R040	Yes	Yes	0.375	2.800 X 5.800 (W X H)
R041	Yes	Yes	0.375	3.125 X 10.75 (W X H)
R042	Yes	Yes	0.375	2.626 X 3.800 (W X H)
R043	Yes	Yes	0.375	2.800 X 5.800 (W X H)
R044	Yes	Yes	0.375	2.800 X 5.800 (W X H)