

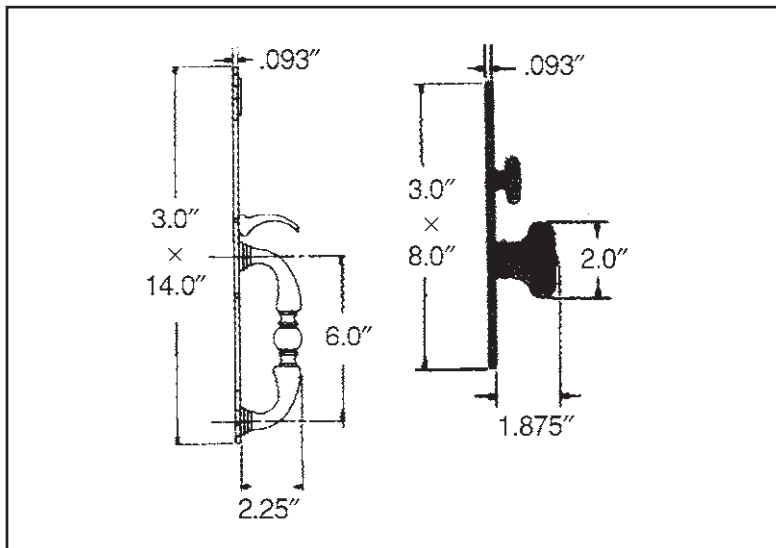
# BALDWIN®

## 6556 - CHARLESTON ESTATE HANDLESET

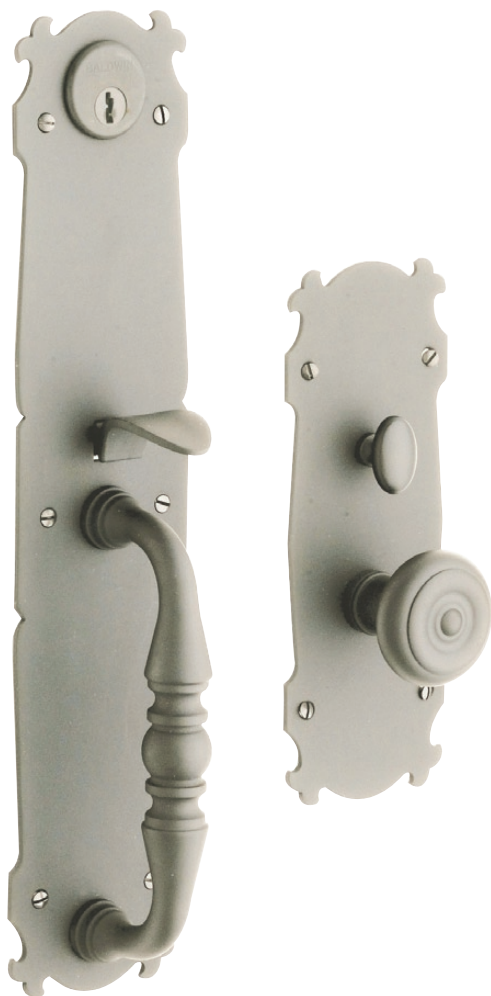
### SPECIFICATIONS



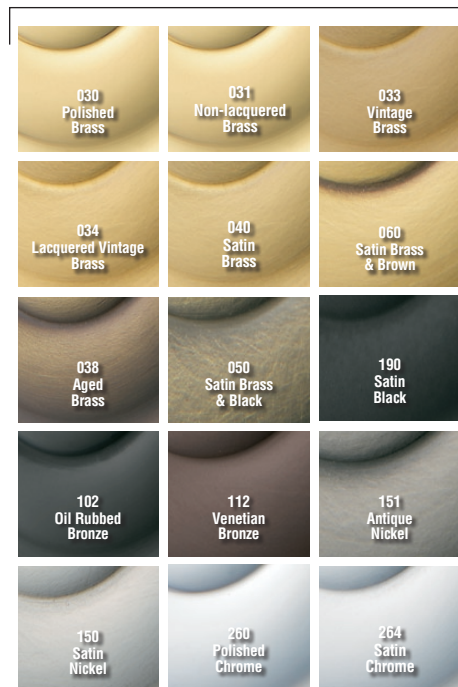
- > Certified by Underwriters Laboratories (UL) for use on fire doors up to three-hour rating
- > U L10C / UBC 7-2 (1997) Positive Pressure Rated, UL10B Pressure Rated
- > Material: Solid Forged Brass



SHOWN WITH KNOB 5005



### TIER 1 FINISHES



### TIER 2 FINISHES

