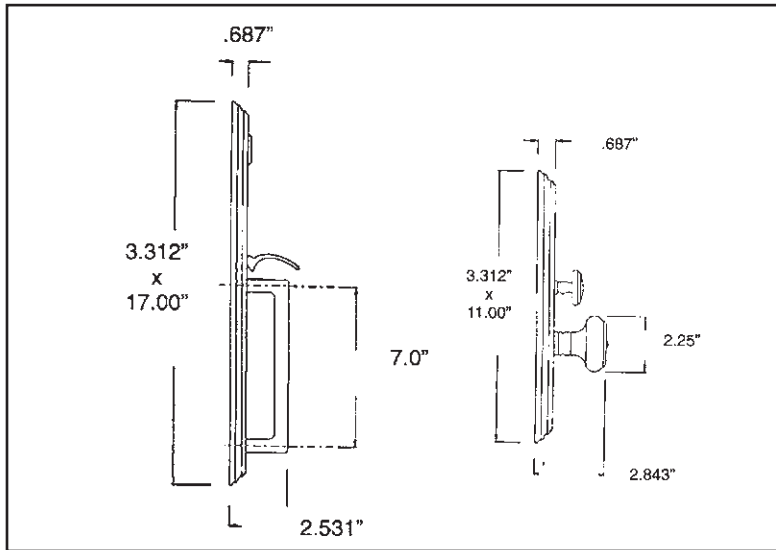


# BALDWIN®

## 6542 - TREMONT ESTATE HANDLESET

### SPECIFICATIONS

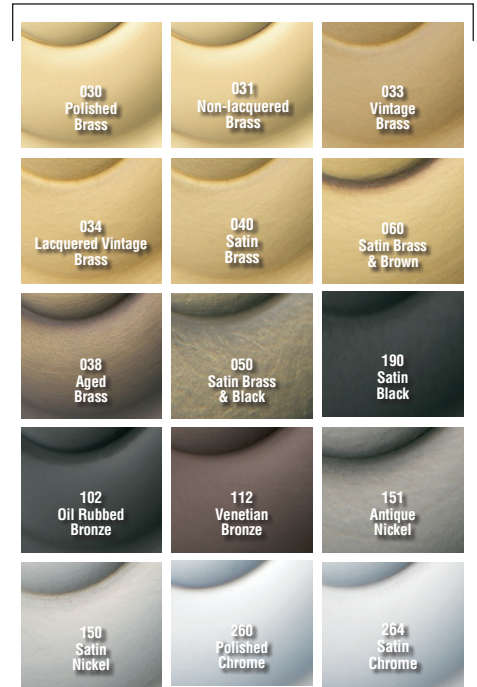


- > Certified by Underwriters Laboratories (UL) for use on fire doors up to three-hour rating
- > U L10C / UBC 7-2 (1997) Positive Pressure Rated, UL10B Pressure Rated
- > Material: Solid Forged Brass

SHOWN WITH KNOB 5020



### TIER 1 FINISHES



### TIER 2 FINISHES

