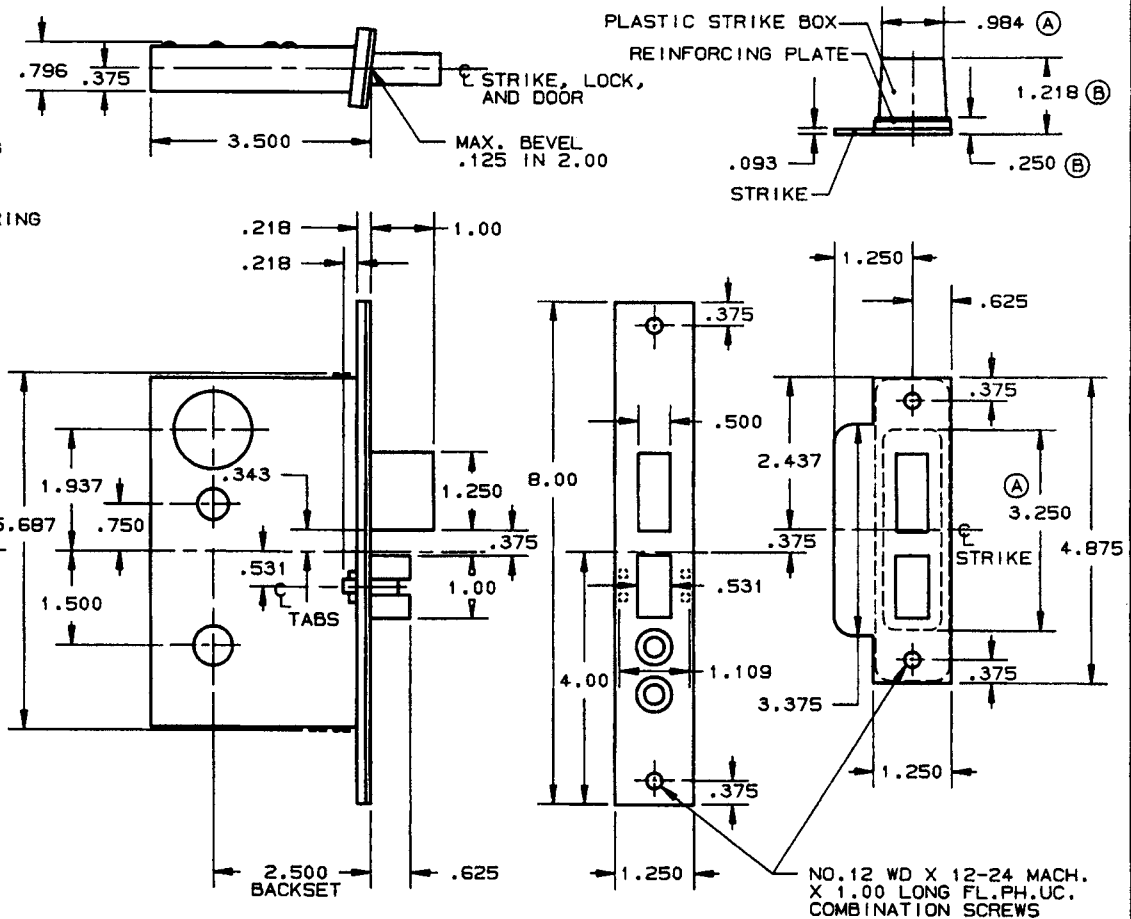
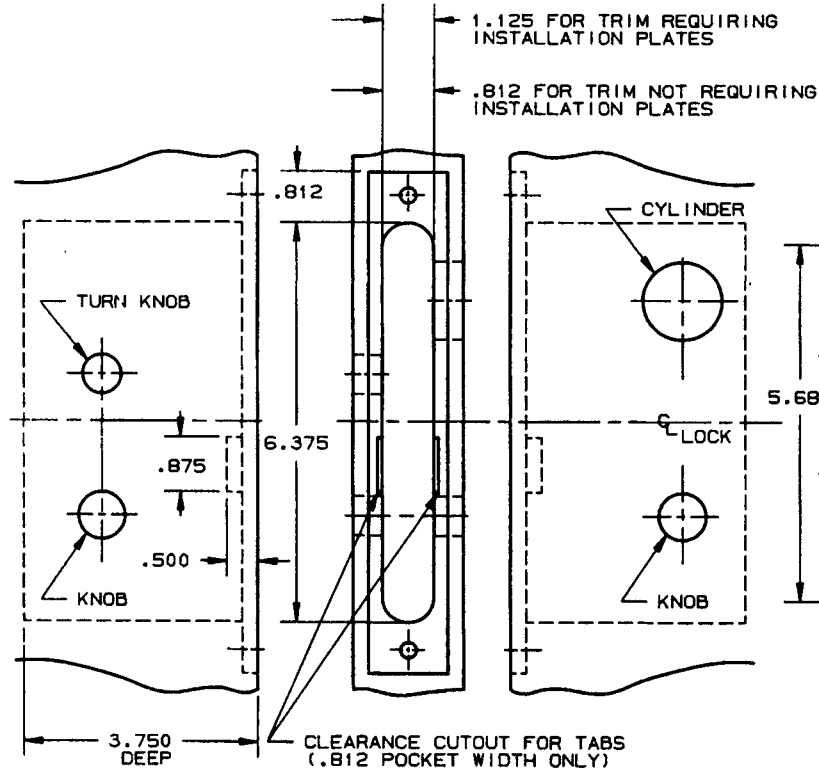


DOOR DETAIL

LOCK DETAIL



INSIDE

OUTSIDE

NOTE:

- 1.) SEE SPECIFIC TRIM TEMPLATE FOR ADDITIONAL DOOR CUTOUT DETAILS.
- 2.) DISCARD REINFORCING PLATE WHEN INSTALLING ON METAL DOORS & JAMBS.

DO NOT SCALE DRAWING

SUITABLE REINFORCEMENT BY OTHERS MAY BE REQUIRED FOR METAL AND COMPOSITE CORE DOOR INSTALLATION.

B. BALDWIN	
630I AND 630I LS LOCK	
TEMPLATE NO. VARIATIONS	TEMPLATE NO.
	H145-B

EFFECTIVE: 1-31-91