

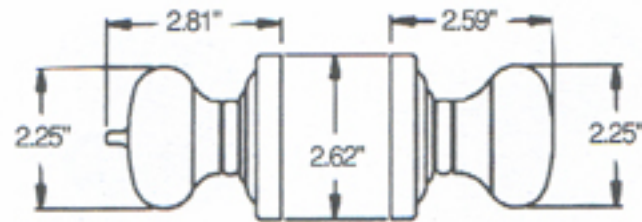
Images® Keyed Entry Locksets



Inside



Outside



5205/5206

5205.XXX.ENTR
5205.XXX.FD
Available in Contractor Pack Only
5206.XXX.ENTR
5206.XXX.FD

Entrance Set-Adjustable Backset, 1-3/8" to 1-3/4" thick doors
Full Dummy Set, 1-3/8" to 1-3/4" thick doors

Entrance Set-Adjustable Backset, 1-7/8" to 2-1/4" thick doors
FD Full Dummy Set, 1-7/8" to 2-1/4" thick doors

3.10 lbs.	(1.41kg)
1.90 lbs.	(.86kg)
3.10 lbs.	(1.41kg)
1.90 lbs.	(.86kg)

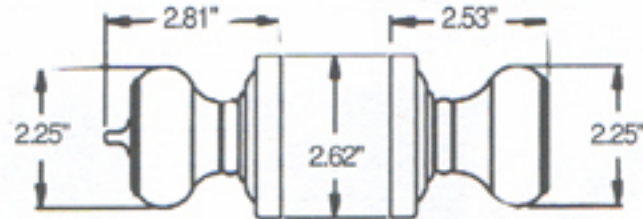
Visual Package: When ordering, prefix product number with number "9." Ex: 95205.003.ENTR
Contractor Package: When ordering, use product numbers listed above
Available for 5 pin keying only.



Inside



Outside



5210/5211

5210.XXX.ENTR
5210.XXX.FD
Available in Contractor Pack Only
5211.XXX.ENTR
5211.XXX.FD

Entrance Set-Adjustable Backset, 1-3/8" to 1-3/4" thick doors
Full Dummy Set, 1-3/8" to 1-3/4" thick doors

Entrance Set-Adjustable Backset, 1-7/8" to 2-1/4" thick doors
Full Dummy Set, 1-7/8" to 2-1/4" thick doors

3.05 lbs.	(1.39kg)
2.05 lbs.	(.93kg)
3.05 lbs.	(1.39kg)
2.05 lbs.	(.93kg)

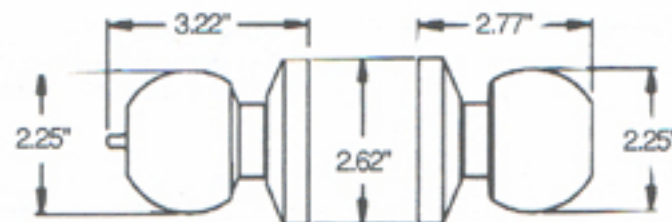
Visual Package: When ordering, prefix product number with number "9." Ex: 95210.003.ENTR
Contractor Package: When ordering, use product numbers listed above
Available for 5 pin keying only.



Inside



Outside



5215/5216

5215.XXX.ENTR
5215.XXX.FD
Available in Contractor Pack Only
5216.XXX.ENTR
5216.XXX.FD

Entrance Set-Adjustable Backset, 1-3/8" to 1-3/4" thick doors
Full Dummy Set, 1-3/8" to 1-3/4" thick doors

Entrance Set-Adjustable Backset, 1-7/8" to 2-1/4" thick doors
Full Dummy Set, 1-7/8" to 2-1/4" thick doors

3.35 lbs.	(1.52kg)
2.50 lbs.	(1.14kg)
3.35 lbs.	(1.52kg)
2.50 lbs.	(1.14kg)

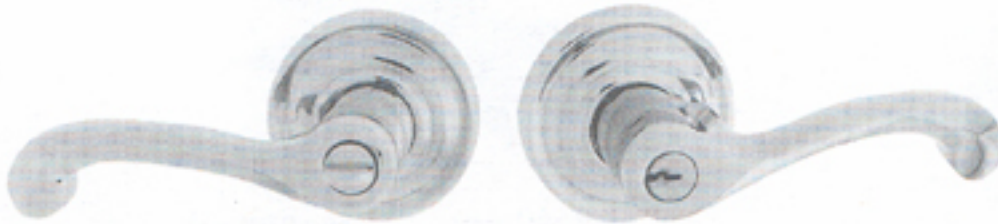
Visual Package: When ordering, prefix product number with number "9." Ex: 95215.003.ENTR
Contractor Package: When ordering, use product numbers listed above
Available for 6 pin keying.

STRIKE: Full lip strike supplied standard for latch.

ORDERING INSTRUCTIONS: Substitute finish designation XXX in product number (Consult price list and pages 28 and 29 ordering instructions for details).

PACKAGING: All Images latchsets are available in Visual or Contractor Package. Visual Packages are available in six (6) complete sets per case. Contractor Packages are available in twelve (12) complete sets per case.

Images® Keyed Entry Locksets



Inside

Outside

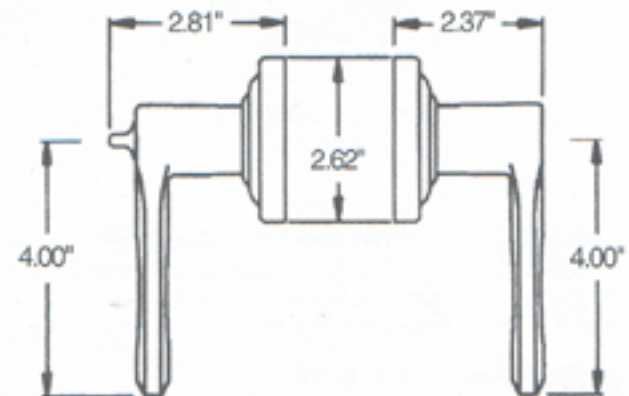
5245

5245.XXX.LENT	Entrance Set-Adjustable Backset	2.15 lbs. (.98kg)
5245.XXX.RENT	Entrance Set-Adjustable Backset	2.15 lbs. (.98kg)
5245.XXX.FD	Full Dummy Set	1.95 lbs. (.89kg)

Keying: Solid brass 6 pin cylinder, keyed 5 pin.

Visual Package: When ordering, prefix product number with number "9." Ex: 95245.003.LENT

Contractor Package: When ordering, use product numbers listed above.



New Adjustable Backset



Inside

Outside

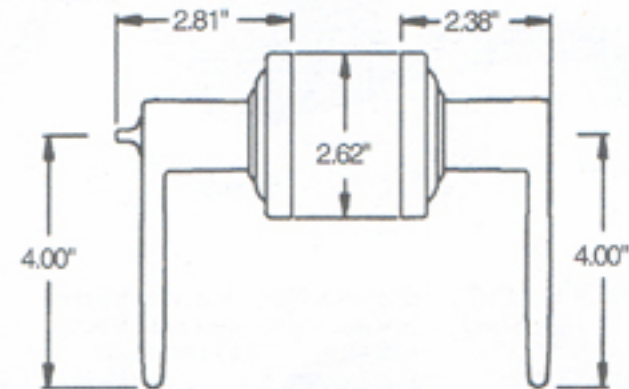
5250

5250.XXX.LENT	Entrance Set-Adjustable Backset	2.15 lbs. (.98kg)
5250.XXX.RENT	Entrance Set-Adjustable Backset	2.15 lbs. (.98kg)
5250.XXX.FD	Full Dummy Set	1.90 lbs. (.89kg)

Keying: Solid brass 6 pin cylinder, keyed 5 pin.

Visual Package: When ordering, prefix product number with number "9." Ex: 95250.003.LENT

Contractor Package: When ordering, use product numbers listed above.



New Adjustable Backset



Inside

Outside

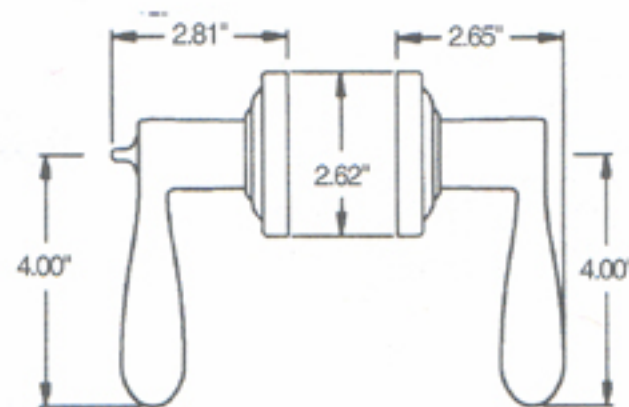
5255

5255.XXX.LENT	Entrance Set-Adjustable Backset	2.80 lbs. (1.27kg)
5255.XXX.RENT	Entrance Set-Adjustable Backset	2.80 lbs. (1.27kg)
5255.XXX.FD	Full Dummy Set	2.00 lbs. (.91kg)

Keying: Solid brass 6 pin cylinder, keyed 5 pin.

Visual Package: When ordering, prefix product number with number "9." Ex: 95255.003.LENT

Contractor Package: When ordering, use product numbers listed above.



New Adjustable Backset

STRIKE: Full lip strike supplied standard for latch.

ORDERING INSTRUCTIONS: Substitute finish designation XXX in product number (Consult price list and ordering instructions on page 41 for details).

PACKAGING: All Images latchsets are available in Visual or Contractor Package. Visual Packages are available in six (6) complete sets per case. Contractor Packages are available in twelve (12) complete sets per case.

Images® Keyed Entry Locksets



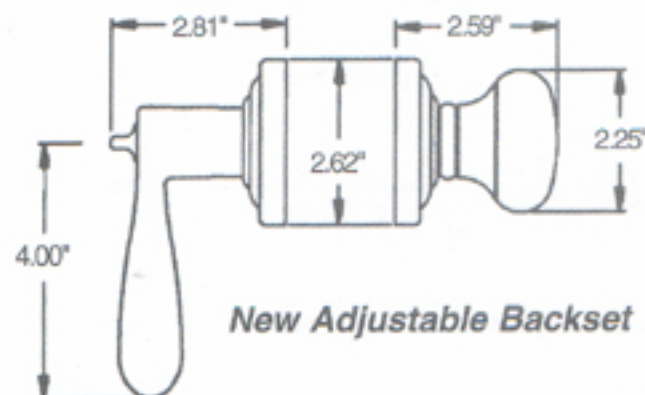
5270

5270.XXX.LENT	Entrance Set-Adjustable Backset	2.95 lbs. (1.34kg)
5270.XXX.RENT	Entrance Set-Adjustable Backset	2.95 lbs. (1.34kg)
5270.XXX.LFD	Full Dummy Set - Left Hand	2.05 lbs. (.93kg)
5270.XXX.RFD	Full Dummy Set - Right Hand	2.05 lbs. (.93kg)

Keying: Solid brass 5 pin cylinder.

Visual Package: When ordering, prefix product number with number "9." Ex: 95270.003.RENT

Contractor Package: When ordering, use product numbers listed above.



New Adjustable Backset



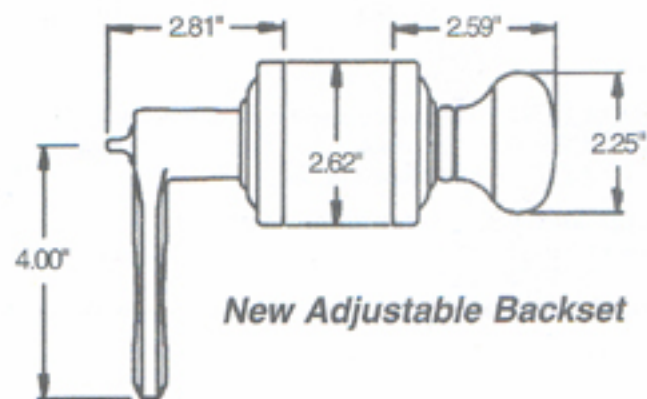
5280

5280.XXX.LENT	Entrance Set-Adjustable Backset	2.95 lbs. (1.34kg)
5280.XXX.RENT	Entrance Set-Adjustable Backset	2.95 lbs. (1.34kg)
5280.XXX.LFD	Full Dummy Set - Left Hand	2.05 lbs. (.93kg)
5280.XXX.RFD	Full Dummy Set - Right Hand	2.05 lbs. (.93kg)

Keying: Solid brass 5 pin cylinder.

Visual Package: When ordering, prefix product number with number "9." Ex: 95280.003.LENT

Contractor Package: When ordering, use product numbers listed above.



New Adjustable Backset