

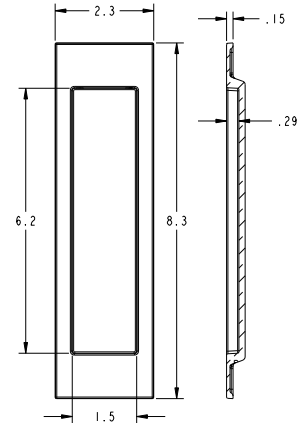
MISCELLANEOUS
**SLIDING
DOOR
LOCKS**





Item #	Description	Wt.	030, 031, 033, 034, 040		
			050, 060, 102	003, 055	
			112, 150, 151	056, 402	
			190, 260, 264	412, 452	
SET*	PD005.xxx.ENTR	Entry set with 2.5" backset lock*	Set	535	590
	PD005.xxx.PRIV	Privacy set with 2.5" backset lock	Set		
	PD005.xxx.PASS	Passage/dummy set with pull	Set	470	520
	PD005.xxx.FD	Dummy set for double doors	Set	500	550
TRIM	PD005.xxx.PS	Passage Trim - Pair	Pair	210	230
	PD005.xxx.iPS	Passage Trim - half pair	Each		
	PD005.xxx.KE	Trim with Emergency Release (KE)	Each	105	115
	PD005.xxx.KC	Trim Cut for Cylinder (KC)	Each		
	PD005.xxx.KT	Interior Trim with Turn Knob (KT)	Each	140	155

*Entry set excludes cylinder



Minimum Door Thickness: 1.50"
Minimum Door Thickness for flush installation: 1.75"

SLIDING DOOR
LOCKS



Sets	PD005.xxx.PRIV	PD005.xxx.PASS
Exterior Trim	PD005.xxx.KE	PD005.xxx.iPS
Interior Trim	PD005.xxx.KT	PD005.xxx.iPS
Cylinder	N/A	N/A
Mortise Lock	8632.xxx	8601.xxx



Designer	Privacy	Passage	Entry	Double Door Inactive
Exterior Trim	PD005.xxx.KE	PD005.xxx.iPS	PD005.xxx.KC	PD005.xxx.iPS
Interior Trim	PD006.xxx.KT	PD007.xxx.iPS	PD006.xxx.KT	PD005.xxx.iPS
Cylinder	N/A	N/A	8320.xxx.EMHT (1.75" door thickness*)	N/A
Mortise Lock	8632.xxx	8601.xxx	8632.xxx	8603.xxx

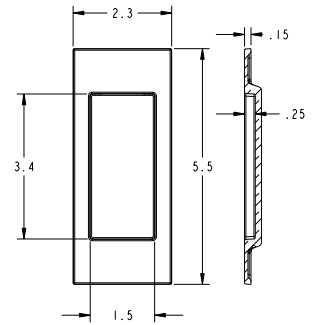
* see page 151 for pocket door cylinder table

POCKET DOORS
SANTA MONICA - SMALL



Item #	Description	Wt.	030, 031, 033, 034, 040		
			050, 060, 102	003, 055	
			112, 150, 151	056, 402	
			190, 260, 264	412, 452	
SET *	PD006.xxx.ENTR	Entry set with 2.5" backset lock*	Set	495	550
	PD006.xxx.PRIV	Privacy set with 2.5" backset lock	Set	430	480
	PD006.xxx.PASS	Passage/dummy set with pull	Set	460	510
	PD006.xxx.FD	Dummy set for double doors	Set	170	190
TRIM	PD006.xxx.PS	Passage Trim - Pair	Pair	85	95
	PD006.xxx.iPS	Passage Trim - half pair	Each	120	135
	PD006.xxx.KE	Trim with Emergency Release (KE)	Each		
	PD006.xxx.KC	Trim Cut for Cylinder (KC)	Each		
PD006.xxx.KT	Interior Trim with Turn Knob (KT)	Each			

*Entry set excludes cylinder.



Minimum Door Thickness: 1.375"
 Minimum Door Thickness for flush installation: 1.75"

SLIDING DOOR
 LOCKS



Sets	PD006.xxx.PRIV	PD006.xxx.PASS
Exterior Trim	PD006.xxx.KE	PD006.xxx.iPS
Interior Trim	PD006.xxx.KT	PD006.xxx.iPS
Cylinder	N/A	N/A
Mortise Lock	8632.xxx	8601.xxx



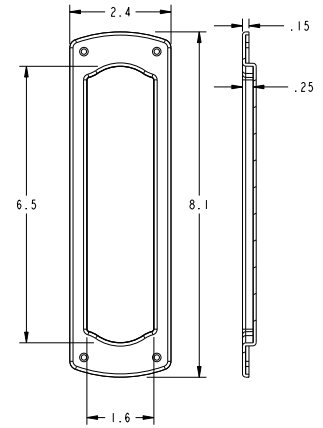
Designer	Privacy	Passage	Entry	Double Door Inactive
Exterior Trim	PD006.xxx.KE	PD006.xxx.iPS	PD006.xxx.KC	PD006.xxx.iPS
Interior Trim	PD006.xxx.KT	PD016.xxx.iPS	PD007.xxx.KT	PD006.xxx.iPS
Cylinder	N/A	N/A	8320.xxx.EMHT (1.75" door thickness*)	N/A
Mortise Lock	8632.xxx	8601.xxx	8632.xxx	8603.xxx

* see page 151 for pocket door cylinder table



Item #	Description	Wt.	030, 031, 033, 034, 040 050, 060, 102		003, 055 056, 402 412, 452	
SET-	PD007.xxx.ENTR	Entry set with 2.5" backset lock*	Set	495	550	
	PD007.xxx.PRIV	Privacy set with 2.5" backset lock	Set			
	PD007.xxx.PASS	Passage/dummy set with pull	Set	430	480	
	PD007.xxx.FD	Dummy set for double doors	Set	460	510	
TRIM	PD007.xxx.PS	Passage Trim - Pair	Pair	170	190	
	PD007.xxx.iPS	Passage Trim - half pair	Each			
	PD007.xxx.KE	Trim with Emergency Release (KE)	Each	85	95	
	PD007.xxx.KC	Trim Cut for Cylinder (KC)	Each			
	PD007.xxx.KT	Interior Trim with Turn Knob (KT)	Each	120	135	

*Entry set excludes cylinder.



Minimum Door Thickness: 1.375"
Minimum Door Thickness for Keyed Entry: 1.5"



Sets

	PD007.xxx.PRIV	PD007.xxx.PASS
Exterior Trim	PD007.xxx.KE	PD007.xxx.iPS
Interior Trim	PD007.xxx.KT	PD007.xxx.iPS
Cylinder	N/A	N/A
Mortise Lock	8632.xxx	8601.xxx



Designer

	Privacy	Passage	Entry	Double Door Inactive
Exterior Trim	PD007.xxx.KE	PD007.xxx.iPS	PD007.xxx.KC	PD007.xxx.iPS
Interior Trim	PD005.xxx.KT	PD007.xxx.iPS	PD007.xxx.KT	PD007.xxx.iPS
Cylinder	N/A	N/A	8320.xxx.EMHT (1.75" door thickness*)	N/A
Mortise Lock	8632.xxx	8601.xxx	8632.xxx	8603.xxx

* see page 151 for pocket door cylinder table

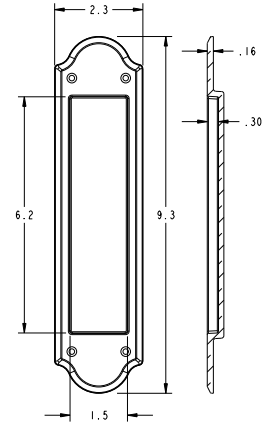
SLIDING DOOR
LOCKS

POCKET DOORS
BOULDER



Item #	Description	Wt.	030, 031, 033, 034, 040 050, 060, 102 112, 150, 151 190, 260, 264		003, 055 056, 402 412, 452	
SET*	PD016.xxx.ENTR	Entry set with 2.5" backset lock*	Set	515	570	
	PD016.xxx.PRIV	Privacy set with 2.5" backset lock	Set			
	PD016.xxx.PASS	Passage/dummy set with pull	Set	450	500	
	PD016.xxx.FD	Dummy set for double doors	Set	480	530	
TRIM	PD016.xxx.PS	Passage Trim - Pair	Pair	190	210	
	PD016.xxx.iPS	Passage Trim - half pair	Each			
	PD016.xxx.KE	Trim with Emergency Release (KE)	Each	95	105	
	PD016.xxx.KC	Trim Cut for Cylinder (KC)	Each			
	PD016.xxx.KT	Interior Trim with Turn Knob (KT)	Each	130	145	

*Entry set excludes cylinder.



Minimum Door Thickness: 1.75"

Sets	PD016.xxx.PRIV	PD016.xxx.PASS
Exterior Trim	PD016.xxx.KE	PD016.xxx.iPS
Interior Trim	PD016.xxx.KT	PD016.xxx.iPS
Cylinder	N/A	N/A
Mortise Lock	8632.xxx	8601.xxx



Designer	Privacy	Passage	Entry	Double Door Inactive
Exterior Trim	PD016.xxx.KE	PD016.xxx.iPS	PD016.xxx.KC	PD016.xxx.iPS
Interior Trim	PD006.xxx.KT	PD005.xxx.iPS	PD007.xxx.KT	PD016.xxx.iPS
Cylinder	N/A	N/A	8320.xxx.EMHT (1.75" door thickness*)	N/A
Mortise Lock	8632.xxx	8601.xxx	8632.xxx	8603.xxx

* see page 151 for pocket door cylinder table

SPECIFICATIONS

Standardized heavy steel case is smooth, easy to mortise, and assures snug and solid fit in door mortise.
Vital interior working parts are made of solid hot forged brass or steel for a lifetime of trouble-free operation.
All lock cases are constructed of heavy gauge steel (.093-2.4mm) material and plated with a protective rust-resistant coating to retard oxidation.

FACEPLATE: Wrought brass, available in standard finishes.

DEADBOLT: 8602 and 8632 locks are equipped with a 1" (25mm) throw deadbolt with steel inserts that engage strike. Furnished in US4 and 26D finishes depending on faceplate finish.

PULL: All locks are equipped with a 1.25" (32mm) throw pull. Pull is thrown by push button on lock front. Furnished in US4 and 26D finishes to match trim.

TURN HUB: 8602 and 8632 locks include turn hub with .19" (5mm) hole broached on the diamond.

SPACING: Center to center of Turn Hub to Cylinder 1.187" (30mm).

CYLINDER: Emhart mortise type with O3 keyway and two silver nickel keys. Cylinder is not supplied with lock and should be ordered with suffix ".EMHT" added to the end of the Item #. (same price as standard C keyway cylinders)

KEYING: All levels of Keying, including Construction Keying, are available.

STRIKE: Wrought brass finished to match. Included with 8602 and 8632 locks only. 8603 lock is spring-loaded strike combined with pull (for double door applications).

TEMPLATE: Provided along with install instructions with all locks. Face cutouts are subject to variation. Always review trim requirements before door preparation.



Pocket door pull

Item #	Description	
8601.xxx	Pocket Door Pull	For Passage and Dummy Functions, included on passage (PASS) sets
8602.xxx	Pocket Door Lock with Pull	For Privacy and Entry Functions, included on privacy (PRIV) and entry (ENTR) sets
8603.xxx	Pocket Door Strike with Pull	For Dummy Side of Double Door, included in dummy for double door application (FD) functions

Mortise Locks are NOT available in Distressed Finishes, non-distressed equivalents 402=102, 412=112, 452=152
Pocket Door Pull locks come with 7/8" fronts; all other pocket door locks comes with 1" fronts

Item #	Description		031,033,040 050,060,102 112,150,151,152 190,260,264	003,055 056
8320.xxx.EMHT	.75" (4 pin)	Mortise Cylinder	\$50	\$55
8321.xxx.EMHT	1"	Mortise Cylinder	50	55
8322.xxx.EMHT	1.125"	Mortise Cylinder	50	55
8323.xxx.EMHT	1.25"	Mortise Cylinder	50	55

Mortise Cylinders are NOT available in Distressed Finishes, non-distressed equivalents 402=102, 412=112, 452=152



Pocket door lock with pull

SINGLE CYLINDER C KEYWAY		Door Thickness		1.375"		1.5"		1.75"		2"		2.25"		2.5"	
Trim Style Name	Trim Style #	Cylinder Length	Blocking Ring	Cylinder Length	Blocking Ring	Cylinder Length	Blocking Ring	Cylinder Length	Blocking Ring	Cylinder Length	Blocking Ring	Cylinder Length	Blocking Ring	Cylinder Length	Blocking Ring
Large Santa Monica (Standard mounting)	PD005	-	-	.75" 8320.xxx. EMHT	-	.75" 8320.xxx. EMHT	-	1" 8321.xxx. EMHT	-	1" 8321.xxx. EMHT	-	1" 8321.xxx. EMHT	-	1" 8321.xxx. EMHT	-
Large Santa Monica (Flush mounting)	PD005	-	-	-	-	-	-	1" 8321.xxx. EMHT	-	1" 8321.xxx. EMHT	-	1" 8321.xxx. EMHT	-	1" 8321.xxx. EMHT	-
Small Santa Monica (Standard mounting)	PD006	.75" 8320.xxx. EMHT	-	.75" 8320.xxx. EMHT	-	.75" 8320.xxx. EMHT	-	1" 8321.xxx. EMHT	-	1" 8321.xxx. EMHT	-	1" 8321.xxx. EMHT	-	1" 8321.xxx. EMHT	-
Small Santa Monica (Flush mounting)	PD006	-	-	.75" 8320.xxx. EMHT	.0625" 8440.xxx. 001	.75" 8320.xxx. EMHT	-	1" 8321.xxx. EMHT	-	1" 8321.xxx. EMHT	-	1" 8321.xxx. EMHT	-	1" 8321.xxx. EMHT	-
Palo Alto	PD007	-	-	.75" 8320.xxx. EMHT	-	.75" 8320.xxx. EMHT	-	1" 8321.xxx. EMHT	-	1" 8321.xxx. EMHT	-	1" 8321.xxx. EMHT	-	1" 8321.xxx. EMHT	-
Boulder	PD016	-	-	-	-	.75" 8320.xxx. EMHT	-	1" 8321.xxx. EMHT	-	1" 8321.xxx. EMHT	-	1" 8321.xxx. EMHT	-	1" 8321.xxx. EMHT	-

DOUBLE CYLINDER C KEYWAY		Door Thickness		1.375"		1.5"		1.75"		2"		2.25"		2.5"	
Trim Style Name	Trim Style #	Cylinder Length	Blocking Ring	Cylinder Length	Blocking Ring	Cylinder Length	Blocking Ring	Cylinder Length	Blocking Ring	Cylinder Length	Blocking Ring	Cylinder Length	Blocking Ring	Cylinder Length	Blocking Ring
Large Santa Monica (Standard mounting)	PD005	-	-	-	-	.75" 8320.xxx. EMHT	.0625" 8440. xxx.001	.75" 8320.xxx. EMHT*	-	1" 8321.xxx. EMHT	.0625" 8440. xxx.001	1" 8321.xxx. EMHT	-	1" 8321.xxx. EMHT	-
Large Santa Monica (Flush mounting)	PD005	-	-	-	-	-	-	-	-	1" 8320.xxx. EMHT	-	1" 8321.xxx. EMHT	-	1" 8321.xxx. EMHT	.0625" 8440. xxx.001
Small Santa Monica (Standard mounting)	PD006	-	-	-	-	.75" 8320.xxx. EMHT	.0625" 8440. xxx.001	.75" 8320.xxx. EMHT*	-	1" 8321.xxx. EMHT	.0625" 8440. xxx.001	1" 8321.xxx. EMHT	-	1" 8321.xxx. EMHT	-
Small Santa Monica (Flush mounting)	PD006	-	-	-	-	-	-	.75" 8320.xxx. EMHT*	.0625" 8440. xxx.001	1" 8320.xxx. EMHT	-	1" 8321.xxx. EMHT	-	1" 8321.xxx. EMHT	.0625" 8440. xxx.001
Palo Alto	PD007	-	-	-	-	.75" 8320.xxx. EMHT	.0625" 8440. xxx.002	.75" 8320.xxx. EMHT*	-	1" 8321.xxx. EMHT	.0937" 8440. xxx.002	1" 8321.xxx. EMHT	-	1" 8321.xxx. EMHT	-
Boulder	PD016	-	-	-	-	.75" 8320.xxx. EMHT	.0625" 8440. xxx.002	.75" 8320.xxx. EMHT*	-	1" 8321.xxx. EMHT	.0937" 8440. xxx.002	1" 8321.xxx. EMHT	-	1" 8321.xxx. EMHT	-

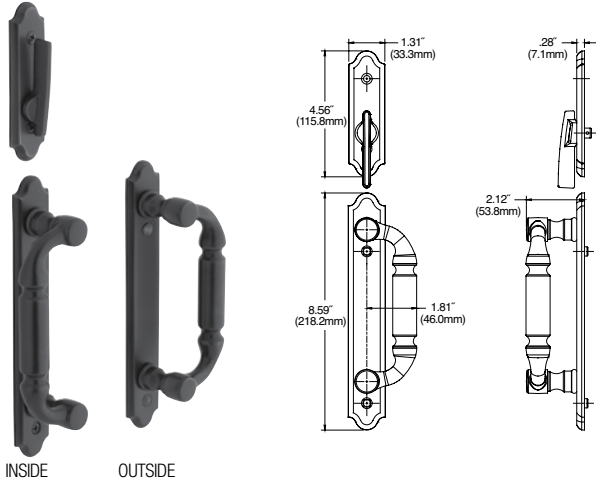


Pocket door strike with pull

SLIDING DOOR
LOCKS

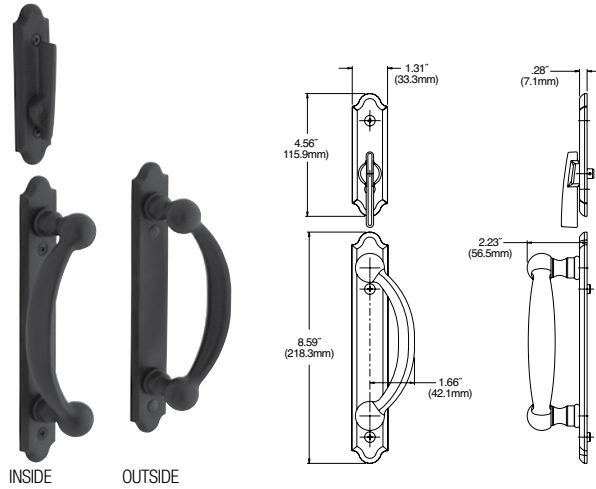
MISCELLANEOUS GARDEN DOOR TRIM

5970 Hamilton Gliding Door Trim



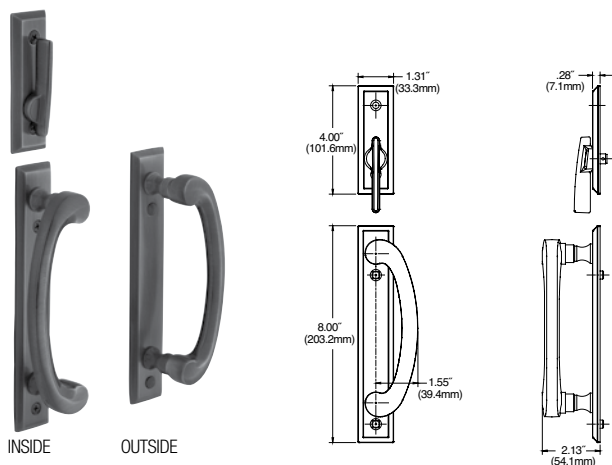
Item #	Description	030, 031	
		033, 034, 040	003, 055
5970.xxx.BPG2	Hamilton Active Gliding Door Trim	112, 150, 151	056, 402
5970.xxx.FDG	Hamilton Dummy Gliding Door Trim	190, 260, 264	412, 452
		\$320	\$350

5971 Boulder Gliding Door Trim



Item #	Description	030, 031	
		033, 034, 040	003, 055
5971.xxx.BPG2	Boulder Active Gliding Door Trim	112, 150, 151	056, 402
5971.xxx.FDG	Boulder Dummy Gliding Door Trim	190, 260, 264	412, 452
		\$320	\$350

5975 Concord Gliding Door Trim



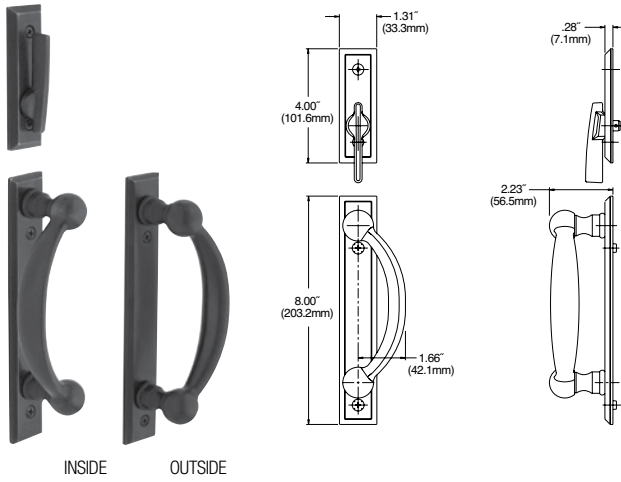
Item #	Description	030, 031	
		033, 034, 040	003, 055
5975.xxx.BPG2	Concord Active Gliding Door Trim	112, 150, 151	056, 402
5975.xxx.FDG	Concord Dummy Gliding Door Trim	190, 260, 264	412, 452
		\$320	\$350

SLIDING DOOR
LOCKS

NOTE: Baldwin Garden Door hardware is designed exclusively for use with Andersen® doors & is not offered in split finishes.

BALDWIN

5976 Cody
Gliding Door Trim

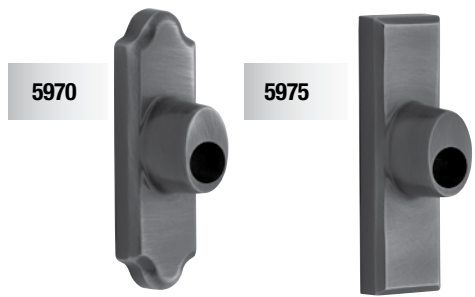


030, 031
033, 034, 040
050, 060, 102
112, 150, 151
190, 260, 264

003, 055
056, 402
412, 452

Item #	Description		
5976.xxx.BPG2	Cody Active Gliding Door Trim	\$320	\$350
5976.xxx.FDG	Cody Dummy Gliding Door Trim		

5970, 5975
Exterior Locking Cylinder Housings



030, 031
033, 034, 040
050, 060, 102
112, 150, 151
190, 260, 264

003, 055
056, 402
412, 452

Item #	Description		
5970.xxx.CHG	Hamilton/Boulder Exterior Cylinder Housing	\$75	\$85
5975.xxx.CHG	Concord/Cody Exterior Cylinder Housing		

NOTE: Locking cylinder housings do not include cylinder and keys. Cylinder and keys from customer's existing lock must be used. If new installation, cylinder and keys must be purchased from Andersen®

SLIDING DOOR
LOCKS