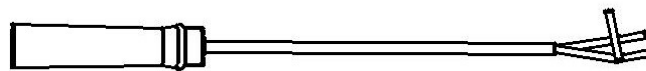
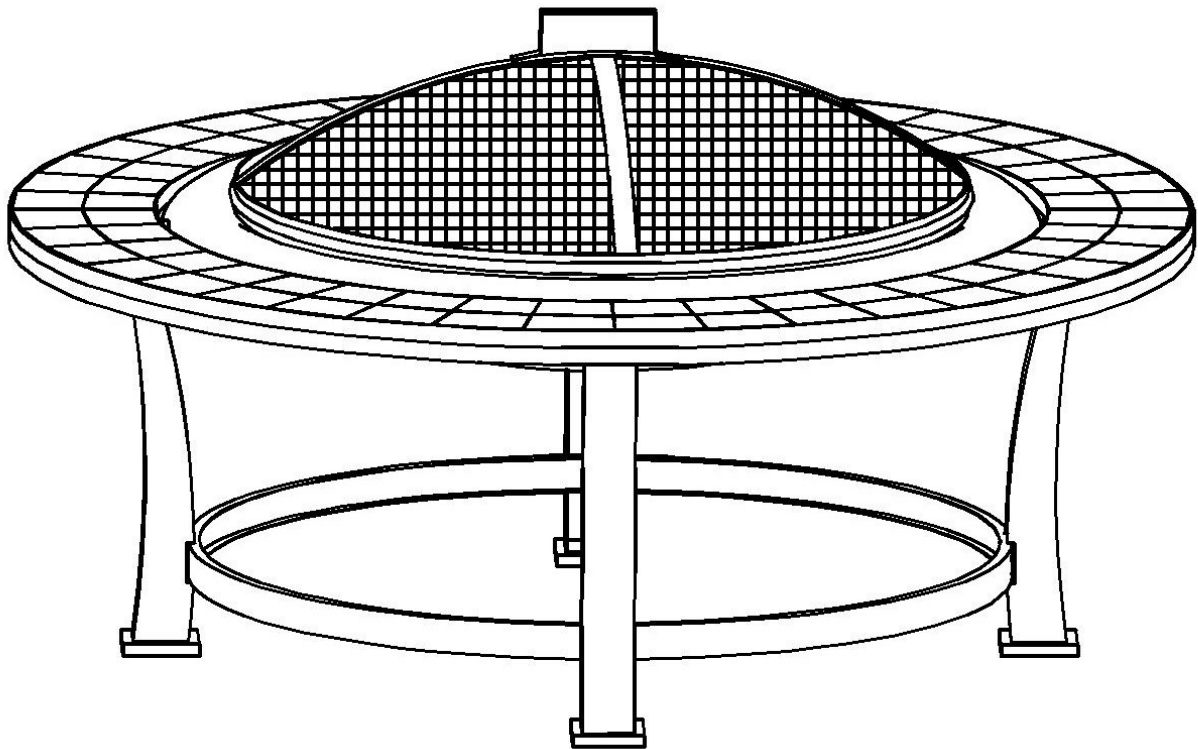




40" Slate Top Wood Burning Firepit

MODEL #YFP-51216



ATTACH YOUR RECEIPT HERE

Serial Number _____ Purchase Date _____



Questions, problems, missing parts? Before returning to your retailer, call our customer service department at **1-888-775-1330**, 8 a.m. - 4 p.m., PST, Monday - Friday.

OWNER'S MANUAL

Item Number: FTB-51216

Product Name: 40 Inch Slate Fire Pit

WARNINGS:

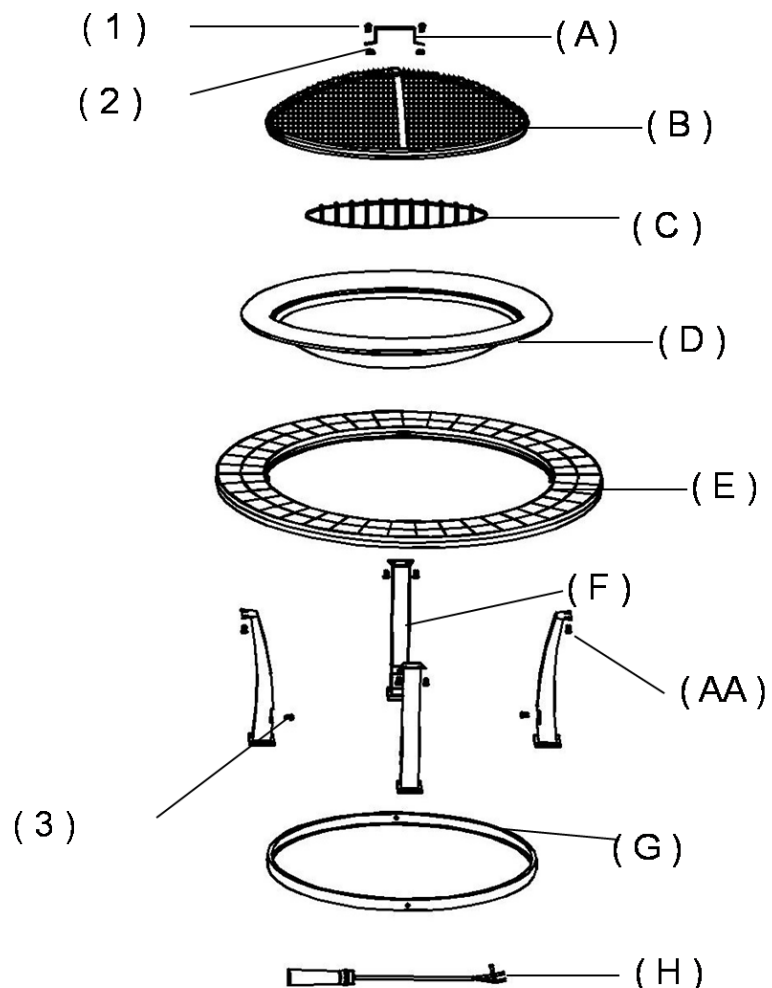
- This fire bowl is intended for outdoor use only. Do not use on wooden decks.
- This fire bowl is intended to burn wood logs only. Do not burn coal, leaves, or other combustible materials in the fire bowl.
- Not for use by children. Keep children and pets away from the fire bowl.
- The fire bowl is hot. Use with caution. Do not touch the hot fire bowl with bare hands.
- Never leave any burning fire bowl unattended, always extinguish the fire completely before leaving the fire bowl.
- Do not use near flammable or combustible objects or materials.
- When the fire bowl is in use, the handle on the mesh screen can reach extreme temperatures that can cause serious injury to an unprotected hand. Use a poker or an appropriate heat resistant glove or pad when handling.
- Check local fire regulations and municipal by-laws for safe use.

FIRE PIT PARTS LIST

No.	PARTS	Qty
A	Handle	1
B	Mesh Screen	1
C	Log Grate	1
D	Fire Bowl	1
E	Slate Top	1
F	Leg	4
G	Support Ring	1
H	Poker	1

HARDWARE LIST

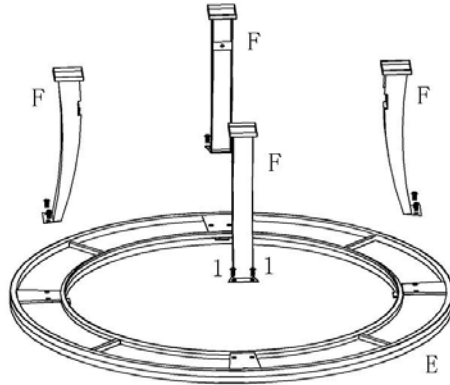
No.	Hardware	Qty
1	M6*10 bolt	10
2	M6 Nut	2
3	M6*18 bolt	4



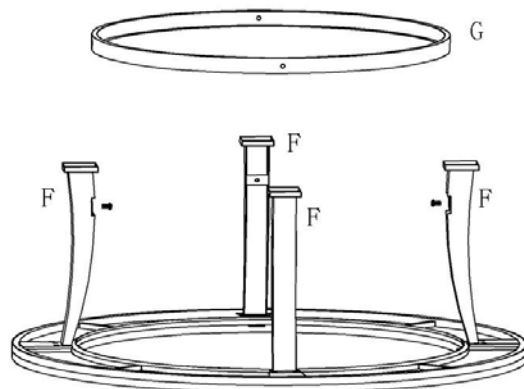
Step By Step Assembly Instructions:

Step 1: Choose a level location for assembly. Remove all parts from packaging, check parts list for missing parts.

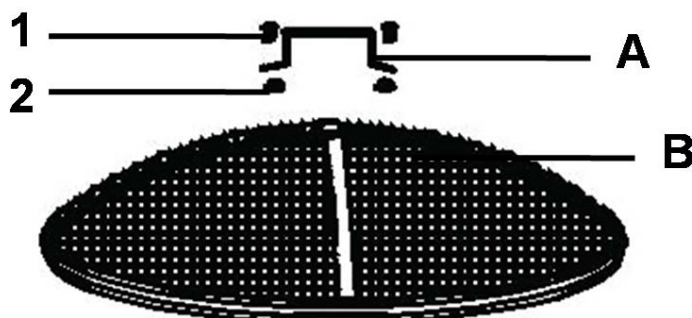
Step 2: Attach Leg (F) to Slate Top (E) by using 8pcs M6*10 bolts (1) Do not fully tighten at first!



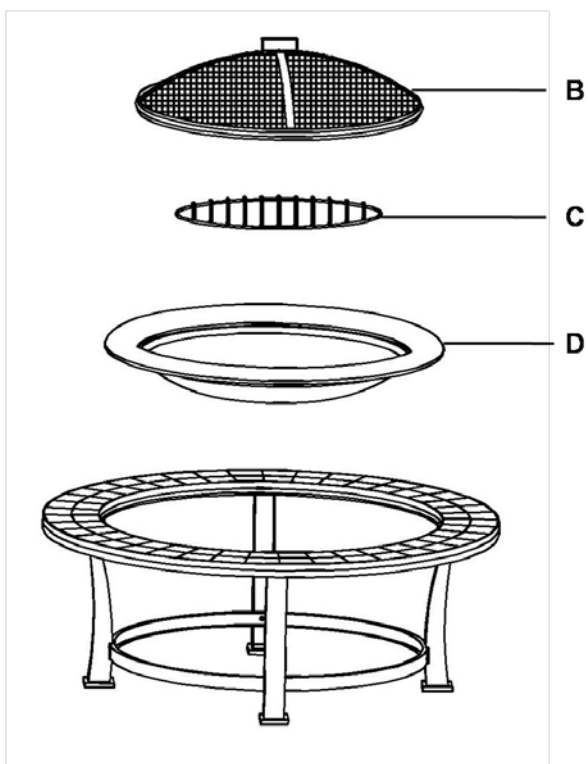
Step 3: Attach Support Ring (G) to 4 Legs (F) by using 4pcs M6*18 bolts(3) tightened, once ring is attached tighten all the bolts.



Step 4: Insert Handle (A) into mid hole of Mesh Screen (B) by using M6*10MM bolts (1) and M6 Nut (2) tightened.



Step 5: Place Log Grate(C) and Mesh Screen (B) into the Fire Bowl. Then put the Fire Bowl (D) into the Slate top.



Now your fire pit is ready for use!

