

## AXOR Citterio E

Axor Citterio E Freestanding Tub Filler Trim, 2.0 GPM

Finishes : **chrome** Part no. : **36416001**



### Description

#### Features

- Flow: 5.5 GPM
- Thermostatic cartridge, Shut-off/diverter valve
- Solid brass

### Item details

List Price \$ 3,207.00

### Technology



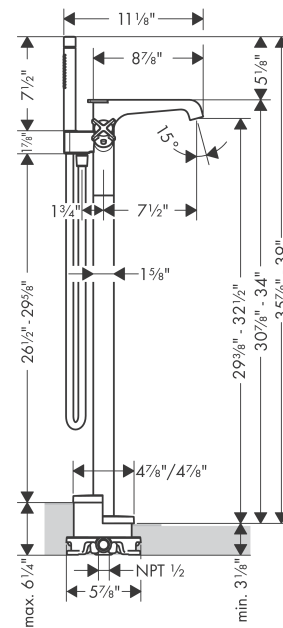
### Compliance



### Product image



### Scale drawing



## AXOR Citterio E

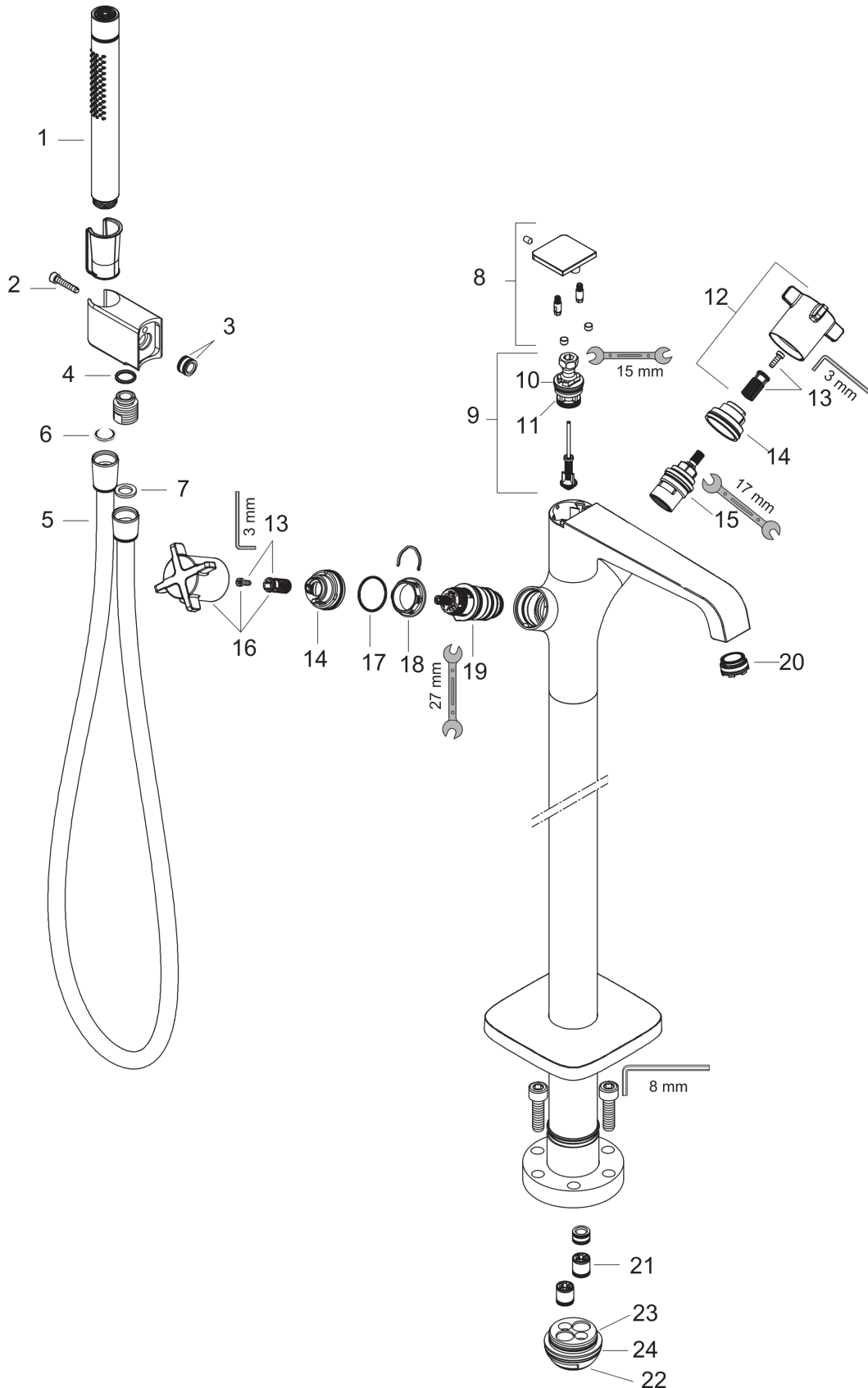
Axor Citterio E Freestanding Tub Filler Trim, 2.0 GPM

Finishes : chrome Part no. : 36416001



### Exploded drawing

Year of production: >02/15



## AXOR Citterio E

Axor Citterio E Freestanding Tub Filler Trim, 2.0 GPM

Finishes : **chrome** Part no. : **36416001**



### Spare parts list

Year of production: >02/15

Pos.	Description	Part no.	Price	PU
1	handshower	28532001	-	1
2	hexagon socket screw M5x25	97664000	-	1
3	O-ring 11x2	98127000	-	1
4	O-ring 14x2	98129000	-	1
5	shower hose Isiflex'B 1,25 m	28272000	-	1
6	filter packing	94246000	-	1
7	seal	98058000	-	1
8	diverter knob	92364000	-	1
9	selector	92365000	-	1
10	O-ring 20x2,5	92602000	-	1
11	O-ring 16x2,3	98207000	-	1
12	handle	92362000	-	1
13	handle fixing set	98290000	-	1
14	safety set	98289000	-	1
15	shut off unit	98536000	-	1
16	handle for thermostat	92363000	-	1
17	O-ring 26x1,5	98390000	-	1
18	nut	98913000	-	1
19	thermostat cartridge	98282001	-	1
20	aerator M24x1 (30 l/min)	98998000	-	1
21	set of non return valves DW 15	94074000	-	1
22	O-ring 29x3	98371000	-	1
23	O-Ring 36x2,5	98190000	-	1
24	O-ring 44x2,5	98162000	-	1
a	hollow set screw M5x8	92851000	-	1
b	guide	92858000	-	1