

Product Features

- Knob handle

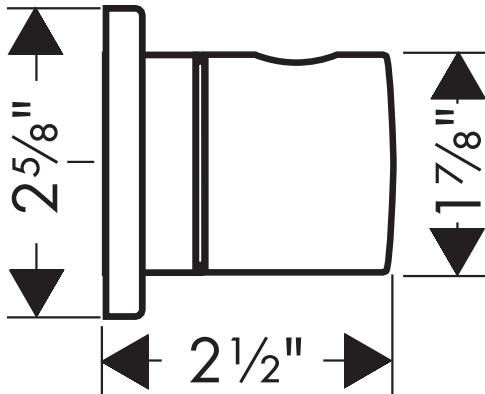
Code Compliance

This unit meets or exceeds the following:

- ASME A112.18.1
- CSA B125.1
- Listed by IAPMO

Available Finishes

Chrome	38974001
Brushed Nickel	38974821



Required Accessories

1/2" rough	15974181
3/4" rough	15977181

The measurements shown are for reference only.

Products and specifications shown are subject to change without notice.

Specification sheet revised 5/2010