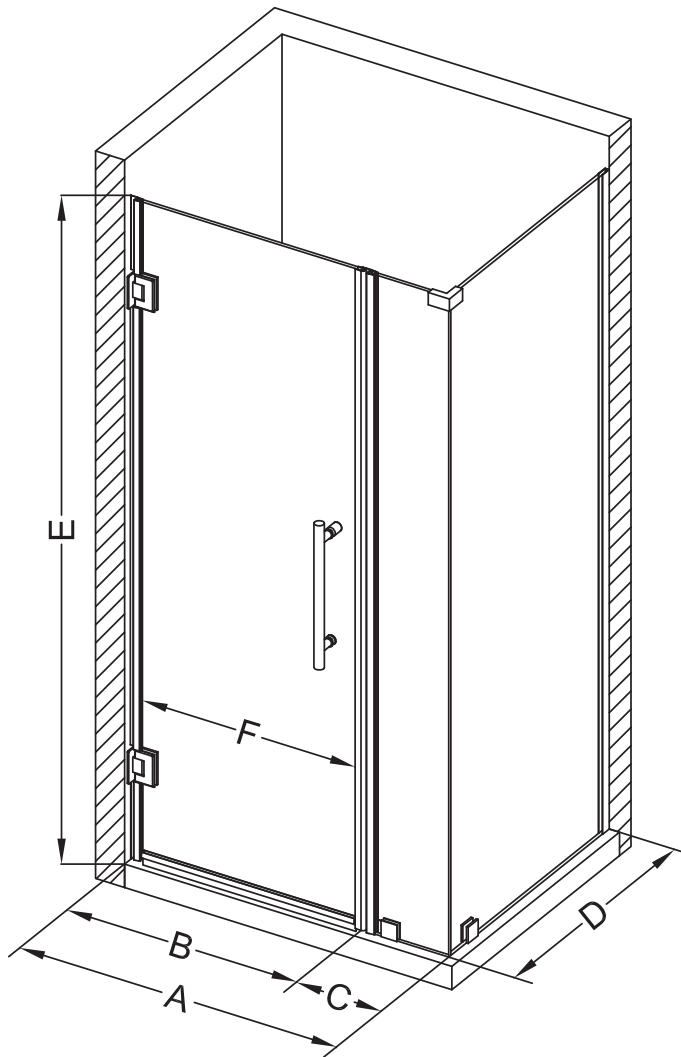
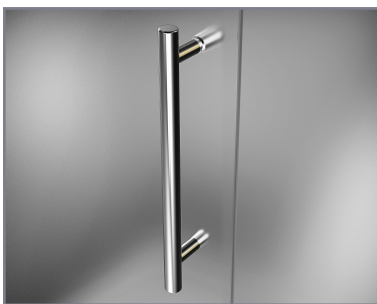


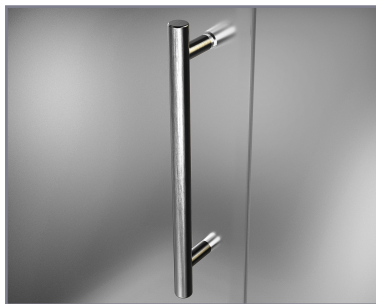
Aston Bromley SEN967-4834



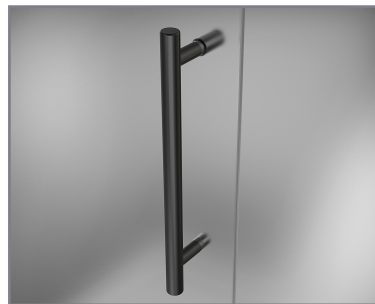
MODEL	WALL OPENING (A)	DOOR PANEL (B)	FIXED PANEL (C)	RETURN PANEL (D)	HEIGHT (E)	DOOR WALK THROUGH (F)
SEN967-483430-10	47 1/4"-48 1/4"	33 5/8"	13 5/8"	30"-30 3/8"	72"	31 5/8"-32 5/8"
SEN967-483432-10	47 1/4"-48 1/4"	33 5/8"	13 5/8"	32"-32 3/8"	72"	31 5/8"-32 5/8"
SEN967-483434-10	47 1/4"-48 1/4"	33 5/8"	13 5/8"	34"-34 3/8"	72"	31 5/8"-32 5/8"
SEN967-483436-10	47 1/4"-48 1/4"	33 5/8"	13 5/8"	36"-36 3/8"	72"	31 5/8"-32 5/8"
SEN967-483438-10	47 1/4"-48 1/4"	33 5/8"	13 5/8"	38"-38 3/8"	72"	31 5/8"-32 5/8"



POLISHED CHROME



STAINLESS STEEL



OIL RUBBED BRONZE



CLEAR GLASS



CH CHROME HARDWARE

SS STAINLESS STEEL HARDWARE

ORB OIL RUBBED BRONZE HARDWARE



REVERSIBLE DOOR

ASTON
STARCAST
FROM **EnduroShield**

ASTON
ESCAPE THE EVERYDAY