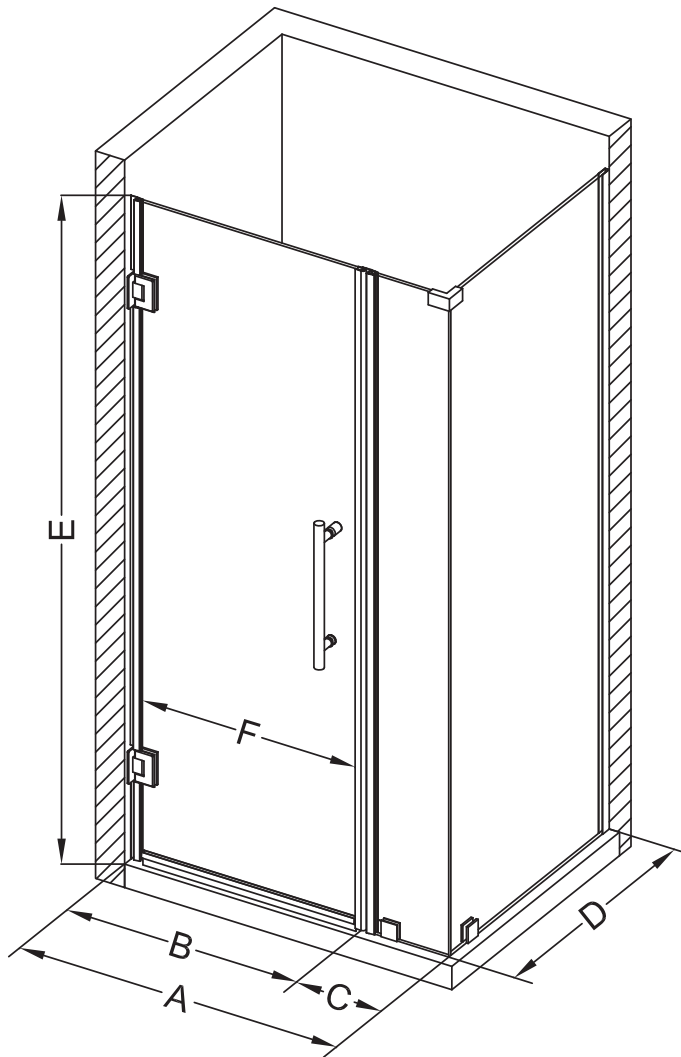
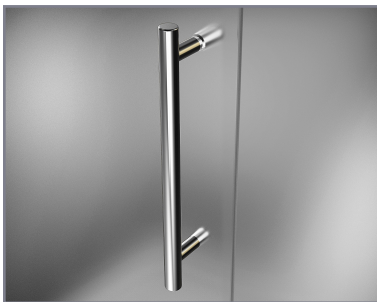


Aston Bromley SEN967-4236



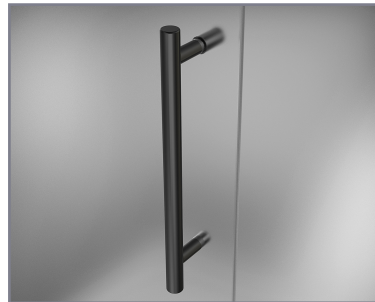
| MODEL | WALL OPENING (A) | DOOR PANEL (B) | FIXED PANEL (C) | RETURN PANEL (D) | HEIGHT (E) | DOOR WALK THROUGH (F) |
|------------------|------------------|----------------|-----------------|------------------|------------|-----------------------|
| SEN967-423630-10 | 41 1/4"-42 1/4" | 35 5/8" | 5 5/8" | 30"-30 3/8" | 72" | 33 5/8"-34 5/8" |
| SEN967-423632-10 | 41 1/4"-42 1/4" | 35 5/8" | 5 5/8" | 32"-32 3/8" | 72" | 33 5/8"-34 5/8" |
| SEN967-423634-10 | 41 1/4"-42 1/4" | 35 5/8" | 5 5/8" | 34"-34 3/8" | 72" | 33 5/8"-34 5/8" |
| SEN967-423636-10 | 41 1/4"-42 1/4" | 35 5/8" | 5 5/8" | 36"-36 3/8" | 72" | 33 5/8"-34 5/8" |
| SEN967-423638-10 | 41 1/4"-42 1/4" | 35 5/8" | 5 5/8" | 38"-38 3/8" | 72" | 33 5/8"-34 5/8" |



POLISHED CHROME



STAINLESS STEEL



OIL RUBBED BRONZE



CLEAR GLASS



CH CHROME HARDWARE

SS STAINLESS STEEL HARDWARE

ORB OIL RUBBED BRONZE HARDWARE



REVERSIBLE DOOR

ASTON
STARCAST
FROM **EnduroShield**

ASTON
ESCAPE THE EVERYDAY